



US00D399045S

United States Patent [19] Liston

[11] Patent Number: **Des. 399,045**

[45] Date of Patent: ****Oct. 6, 1998**

[54] SHOELACE SECURING SYSTEM

[76] Inventor: **John J. Liston**, 49 S. 1200 East #4,
Salt Lake City, Utah 84102

[**] Term: **14 Years**

[21] Appl. No.: **58,419**

[22] Filed: **Aug. 14, 1996**

[51] LOC (6) Cl. **02-07**

[52] U.S. Cl. **D2/978; D8/383**

[58] Field of Search D2/978; D11/212;
24/115 G, 115 M, 136 R, 712.1, 712.9;
D8/383

[56] **References Cited**

U.S. PATENT DOCUMENTS

| | | | |
|------------|---------|------------------|--------|
| D. 200,394 | 2/1965 | Hakim | D2/978 |
| D. 206,146 | 11/1966 | Hendershot | D2/978 |
| D. 343,570 | 1/1994 | Meier | D8/383 |
| D. 367,755 | 3/1996 | Jones | D2/978 |
| D. 368,852 | 4/1996 | Ikeda | D8/383 |
| D. 375,831 | 11/1996 | Perry | D2/978 |
| 4,102,019 | 7/1978 | Boden . | |

| | | | |
|-----------|---------|----------------------|----------|
| 4,112,551 | 9/1978 | Sales . | |
| 4,393,550 | 7/1983 | Yang et al. . | |
| 4,458,373 | 7/1984 | Maslow . | |
| 5,315,741 | 5/1994 | Dubberke . | |
| 5,365,641 | 11/1994 | Watanabe et al. | 24/115 G |
| 5,649,340 | 7/1997 | Ida | 24/115 G |
| 5,666,699 | 9/1997 | Takahashi | 24/115 G |
| 5,671,505 | 9/1997 | Anscher | 24/115 G |
| 5,697,128 | 12/1997 | Peregrine | 24/115 G |

Primary Examiner—Dominic Simone
Attorney, Agent, or Firm—Workman, Nydegger & Seeley

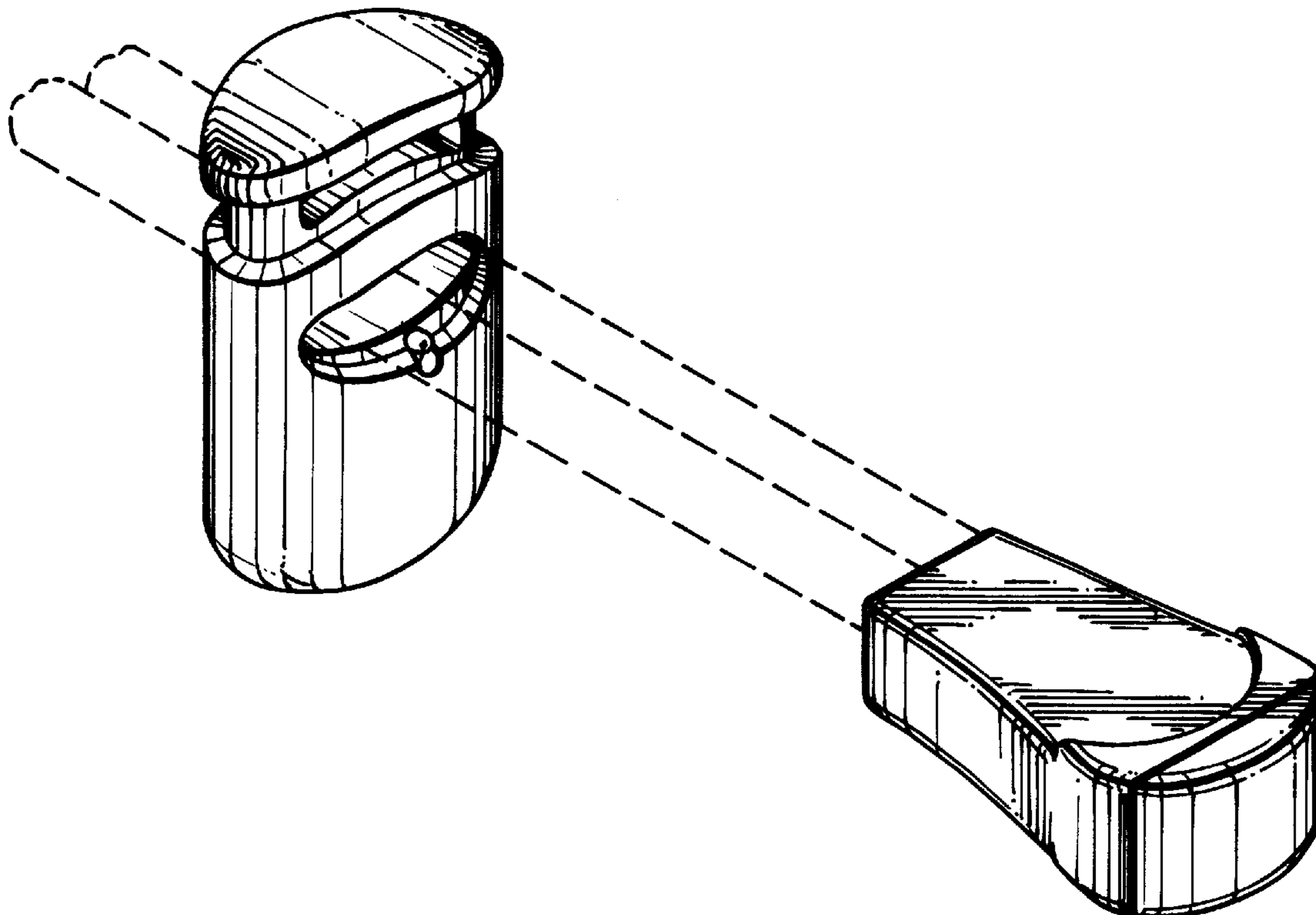
[57] **CLAIM**

I claim the ornamental design to a shoelace securing system, as illustrated.

DESCRIPTION

FIG. 1 is a perspective view;
FIG. 2 is a top plan view. A bottom plan view is a mirror image of the top plan view;
FIG. 3 is a front elevational view. A back elevational view is a mirror image of the front elevational view;
FIG. 4 is a right side view; and,
FIG. 5 is a left side view.

1 Claim, 2 Drawing Sheets



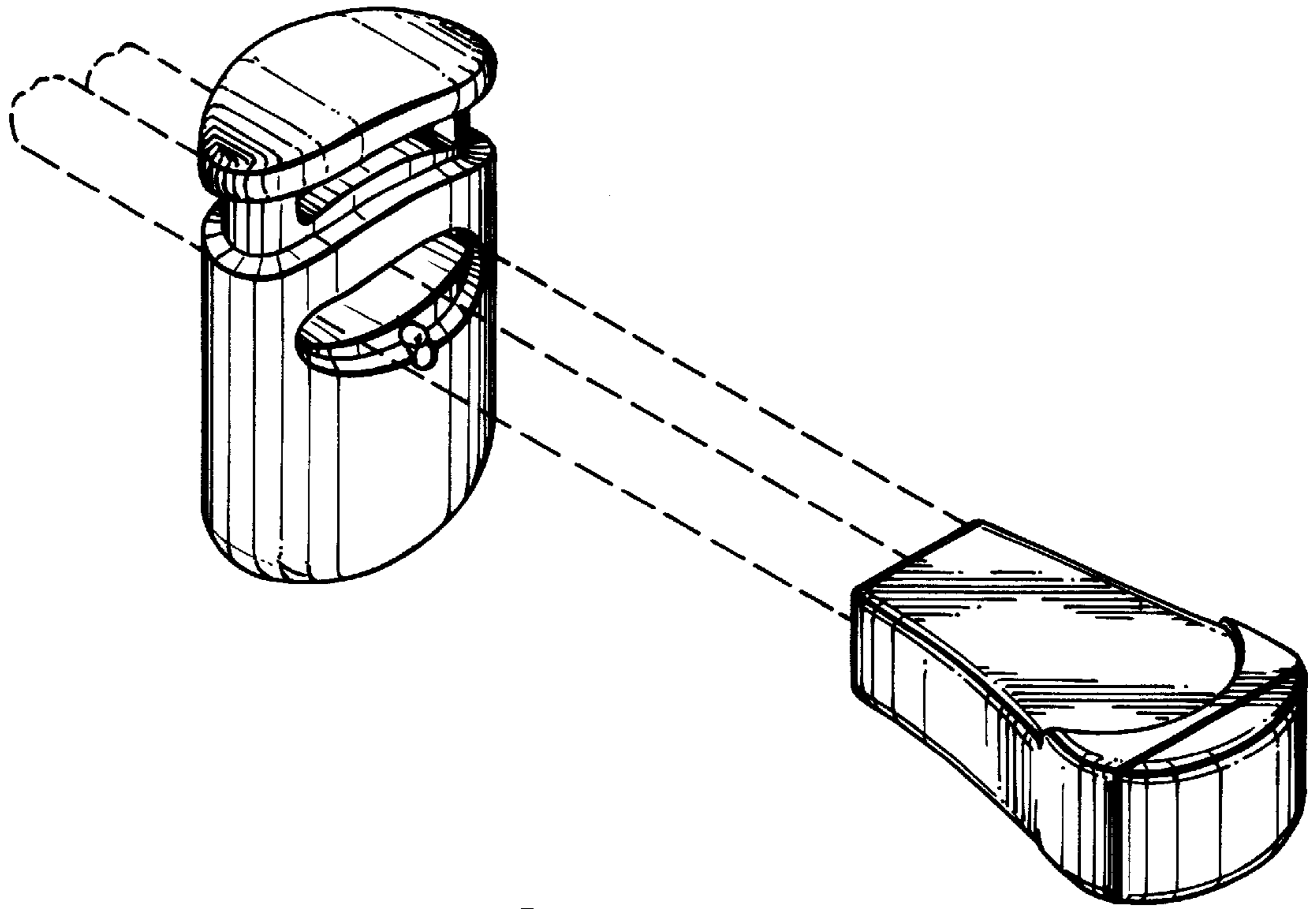


FIG. 1

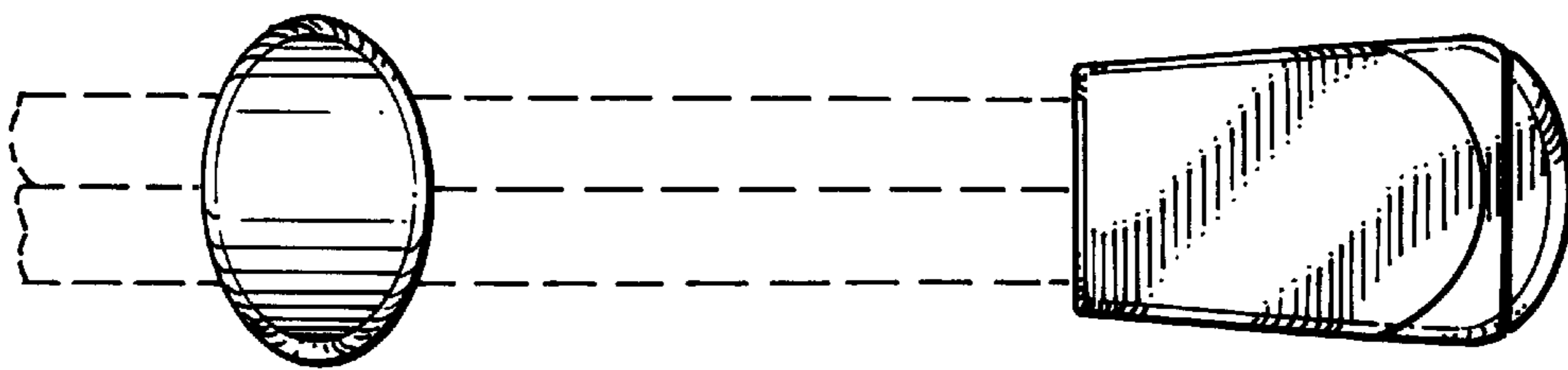


FIG. 2

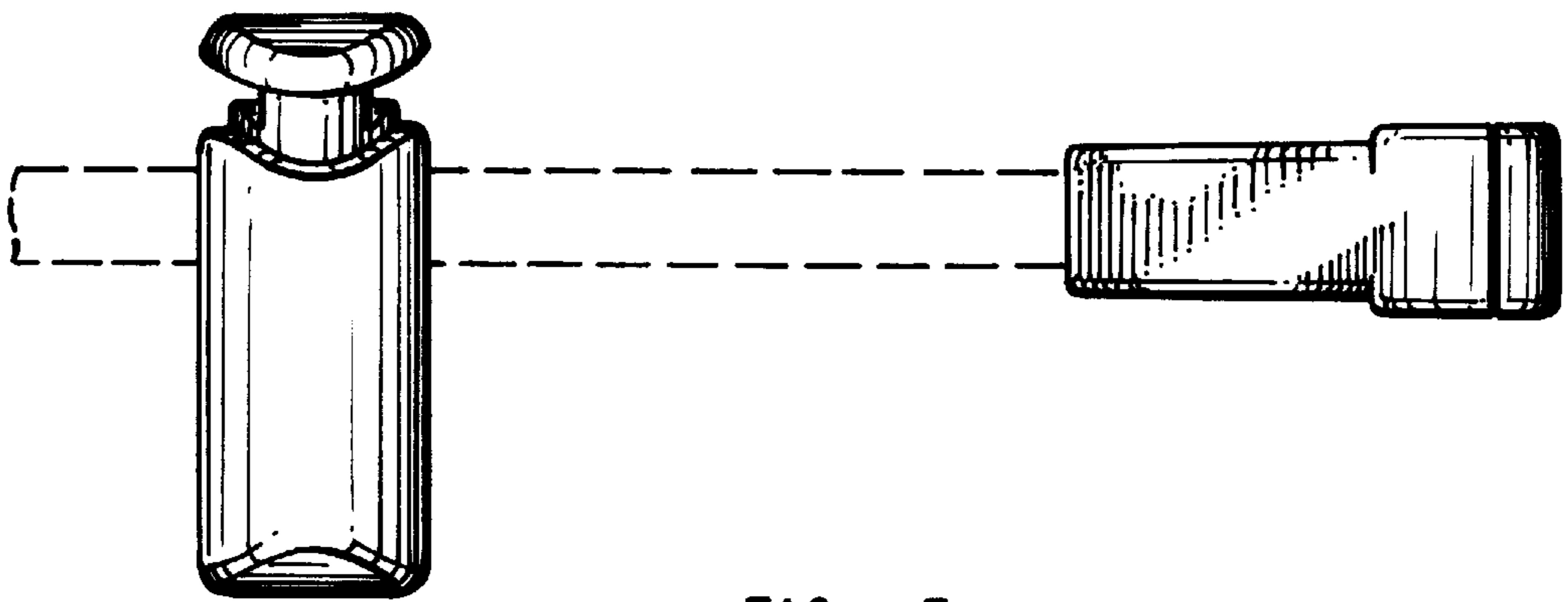


FIG. 3

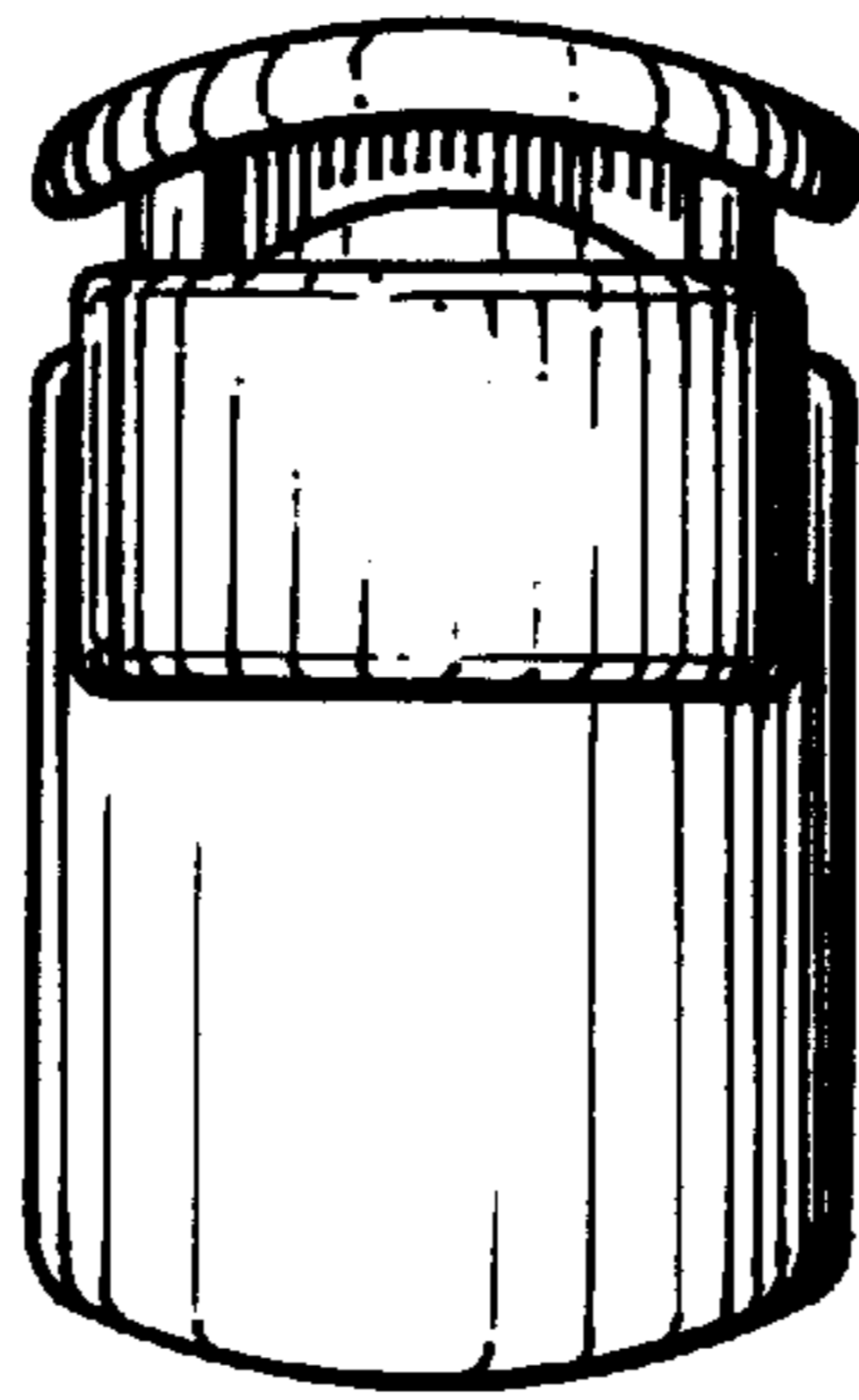


FIG. 4

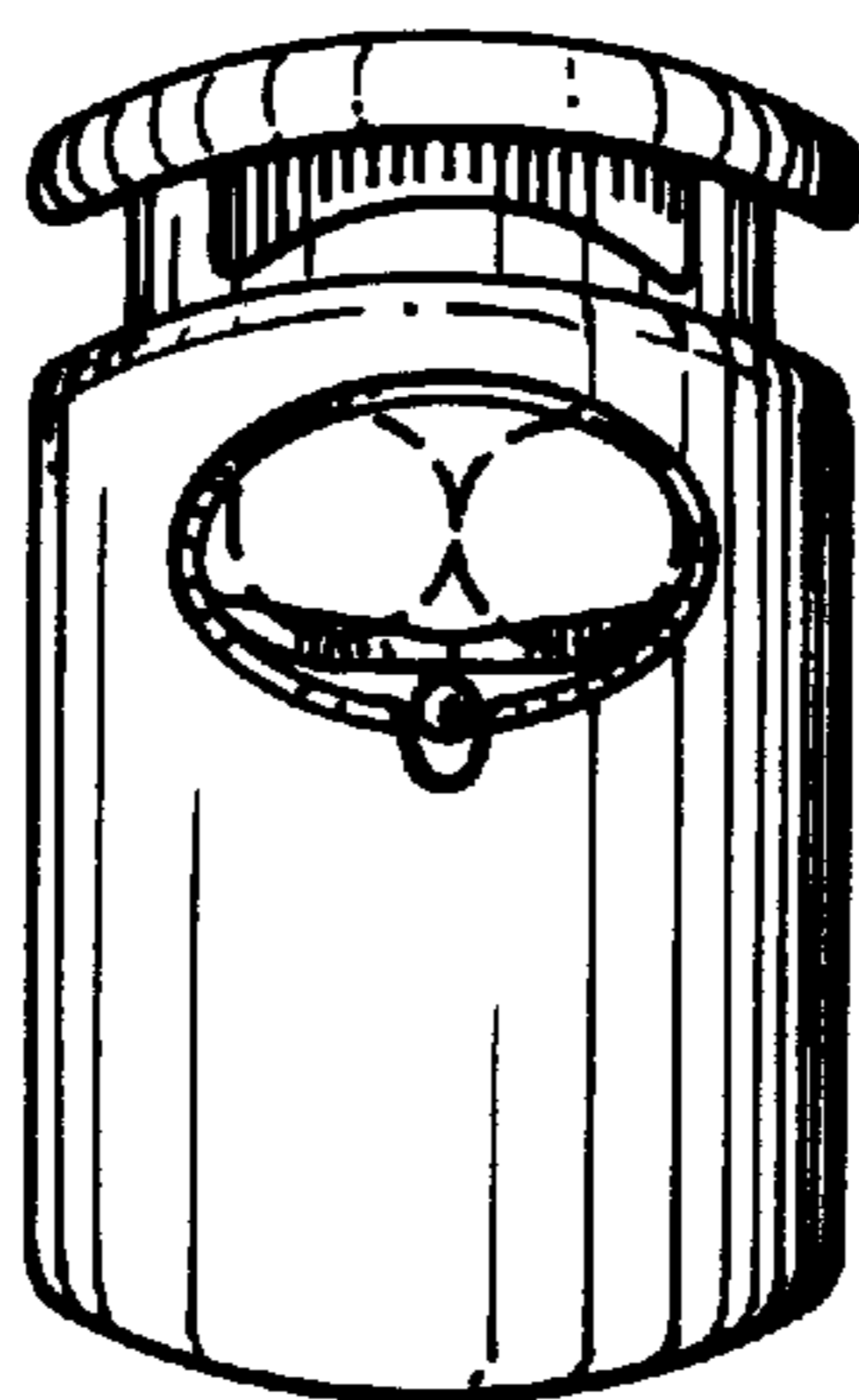


FIG. 5