



US00D399031S

# United States Patent [19]

Prosper et al.

[11] **Patent Number: Des. 399,031**

[45] **Date of Patent: \*\*Sep. 29, 1998**

[54] **FRAME FOR A SPRAYER ASSEMBLY**

2,780,476	2/1957	Upchurch .....	280/47.24
4,545,531	10/1985	Williams .....	239/150
4,583,904	4/1986	Maxwell .....	414/453

[75] Inventors: **Jacob R. Prosper**, Brockville; **Tri Nguyen**, Toronto; **Colin Dyke**, North Augusta; **Jerry N. Moscovitch**, Toronto; **Rene Allen**, Oakville, all of Canada; **Gabriel E. Concari**, Eldersburg, Md.

*Primary Examiner*—Kay H. Chin  
*Attorney, Agent, or Firm*—Kerry H. Owens

[73] Assignee: **Black & Decker Inc.**, Newark, Del.

[57] **CLAIM**

[\*\*] Term: **14 Years**

The ornamental design for a frame for a sprayer assembly, as shown and described

[21] Appl. No.: **68,991**

**DESCRIPTION**

[22] Filed: **Apr. 24, 1997**

FIG. 1 is a front elevational view of a frame for a sprayer assembly showing our new design;  
FIG. 2 is a left side elevational view thereof; the broken lines are for illustrative purposes only and form no part of the claimed design;  
FIG. 3 is a right side elevational view thereof;  
FIG. 4 is a rear elevational view thereof;  
FIG. 5 is a bottom plan view thereof;  
FIG. 6 is a top plan view thereof;  
FIG. 7 is a perspective view thereof.

[51] **LOC (6) Cl.** ..... **12-02**

[52] **U.S. Cl.** ..... **D34/24; D34/26**

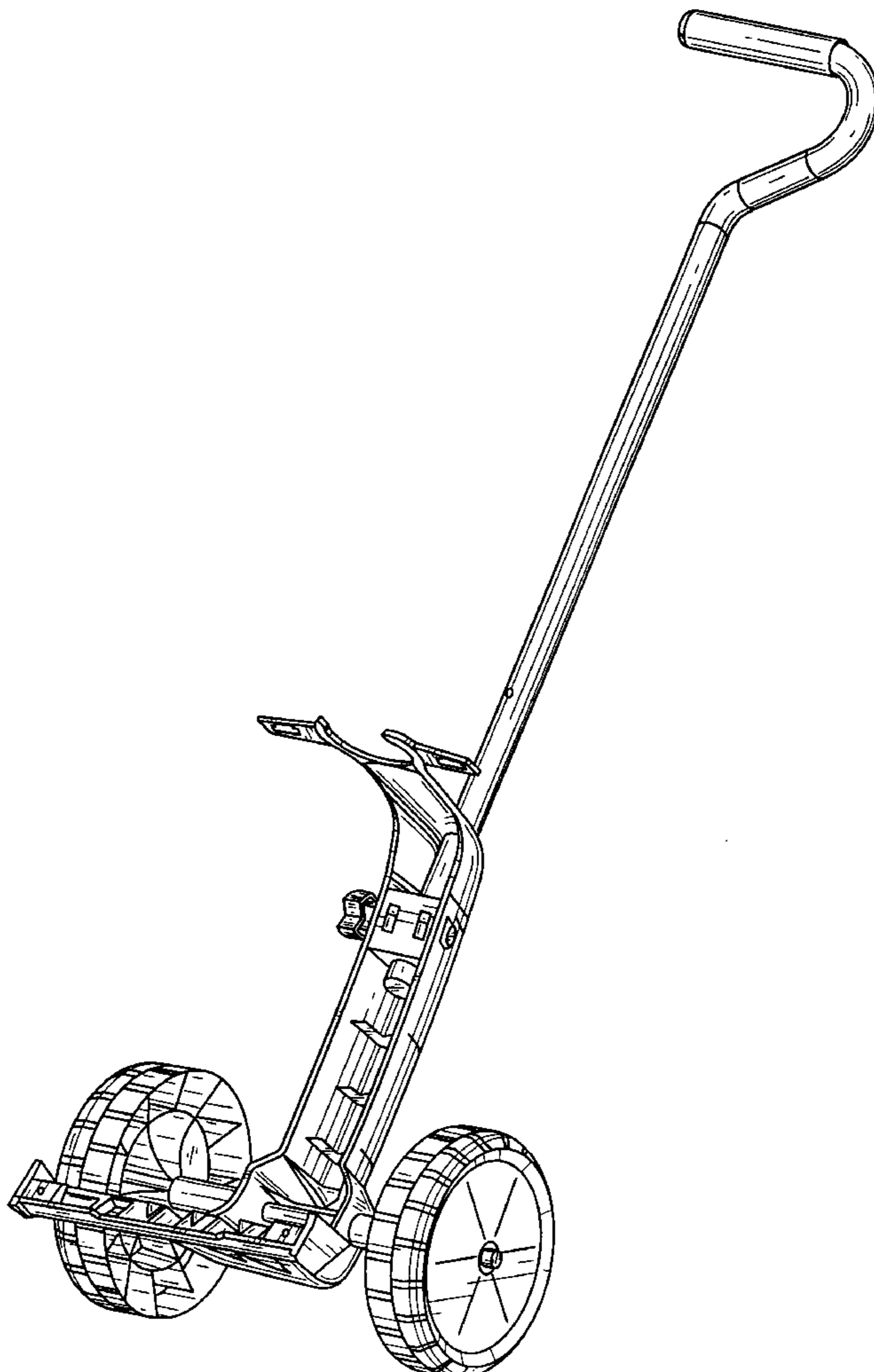
[58] **Field of Search** ..... D34/12-27; 280/47.24, 280/47.27, 47.29, 47.39, 79.11, 47.17; 248/129

[56] **References Cited**

**U.S. PATENT DOCUMENTS**

D. 377,254 1/1997 Cavalliere ..... D34/24

**1 Claim, 6 Drawing Sheets**



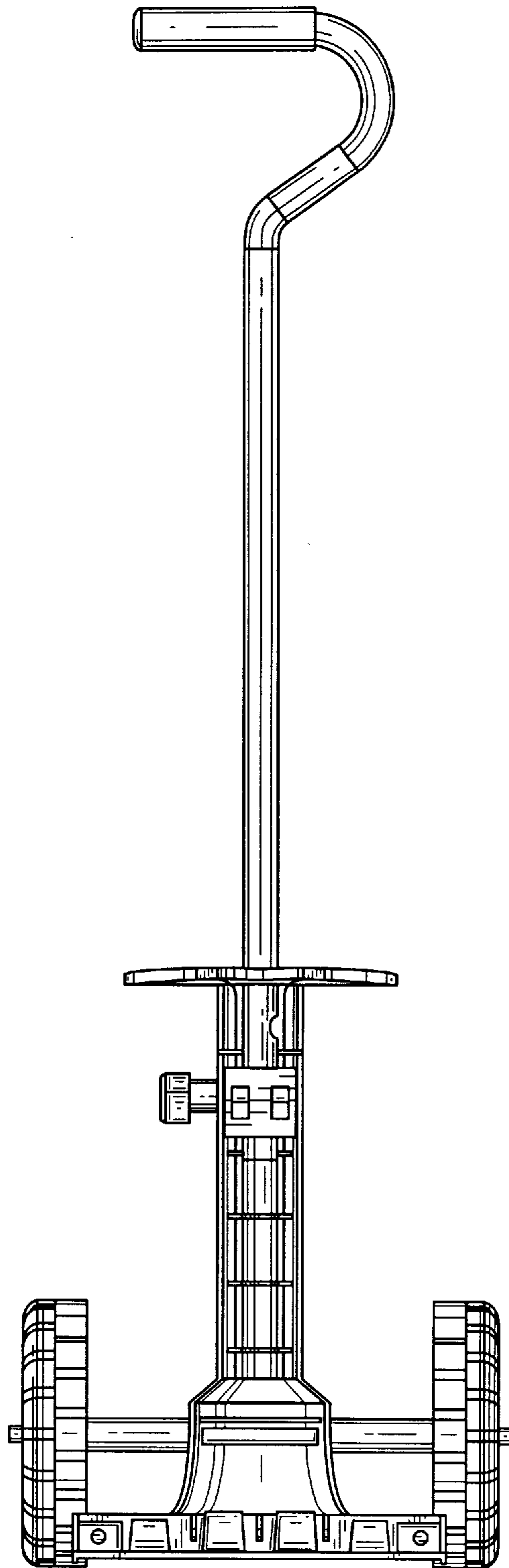


FIG. 1

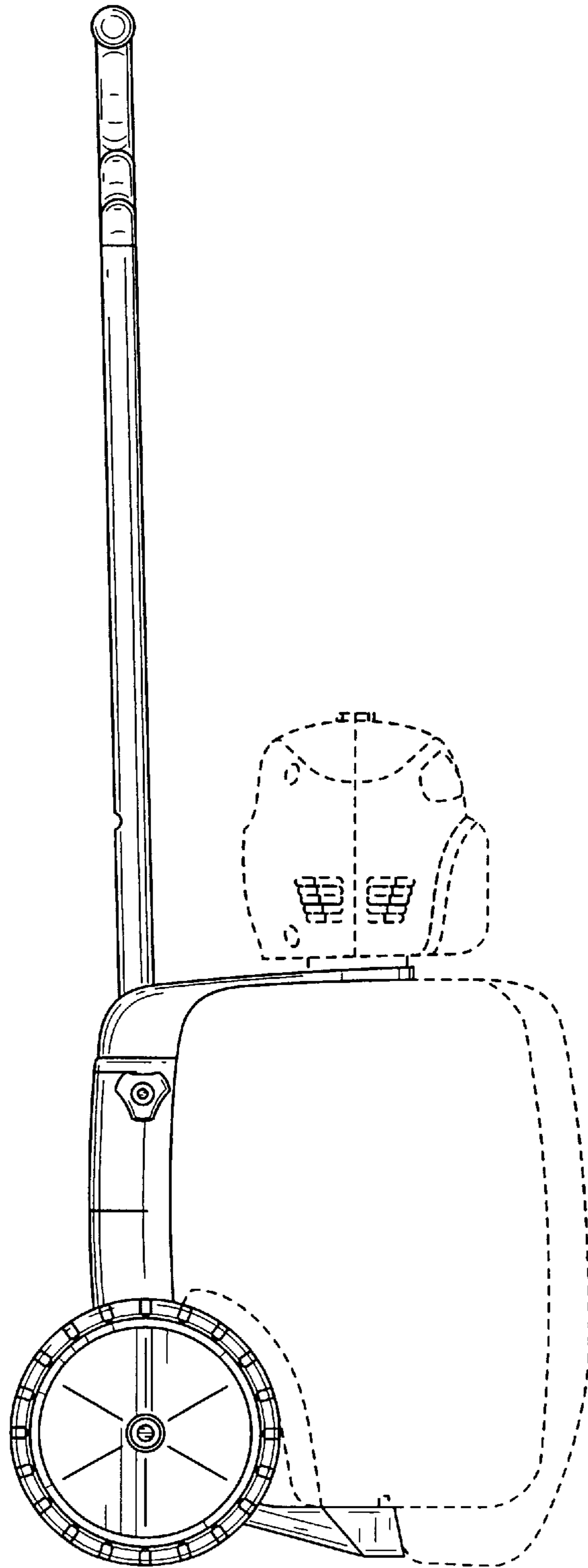


FIG. 2

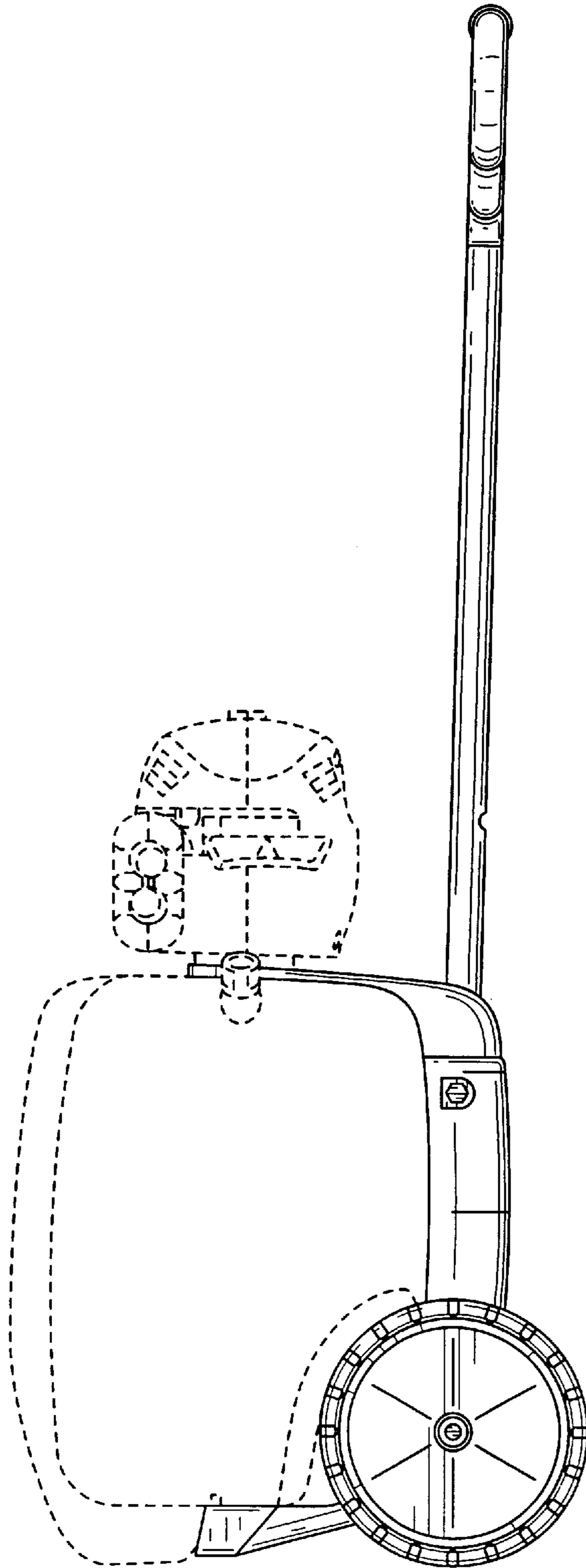


FIG. 3

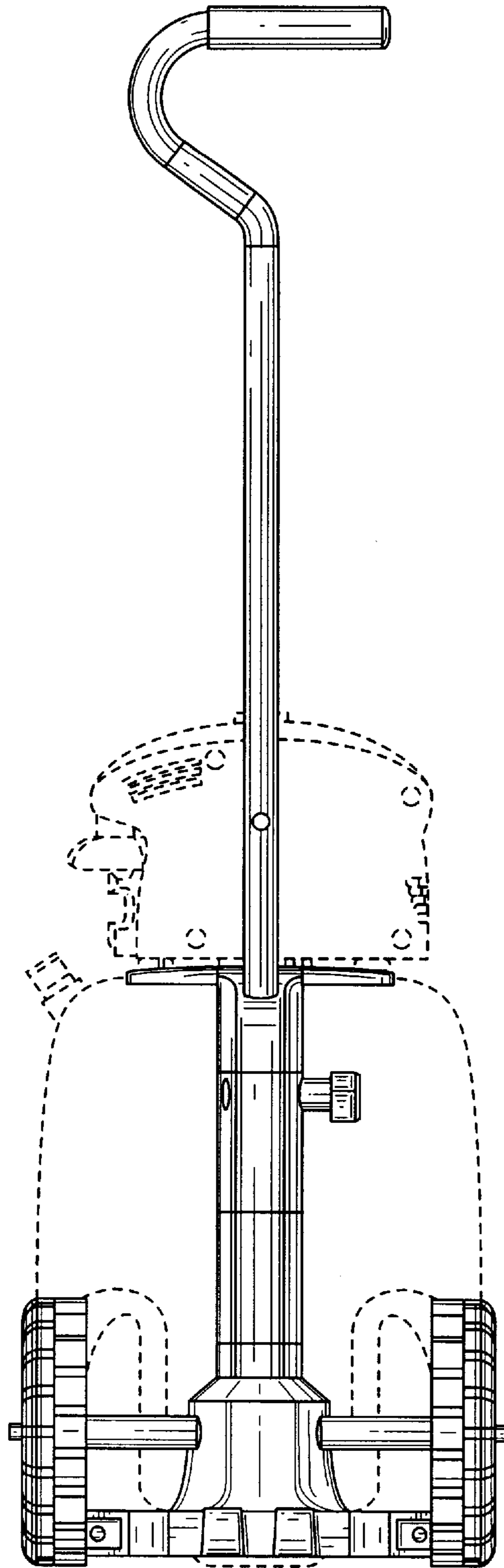


FIG. 4

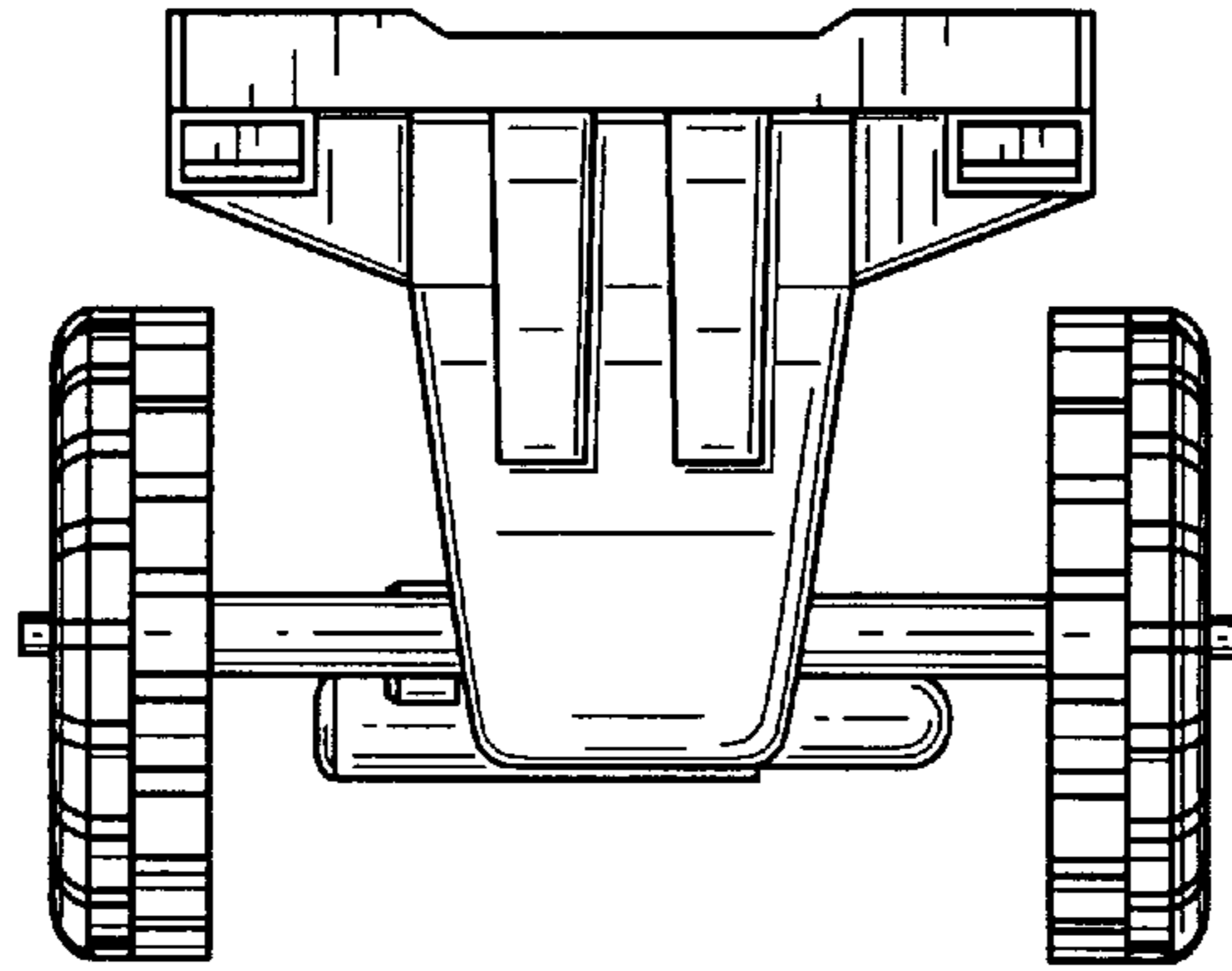


FIG. 5

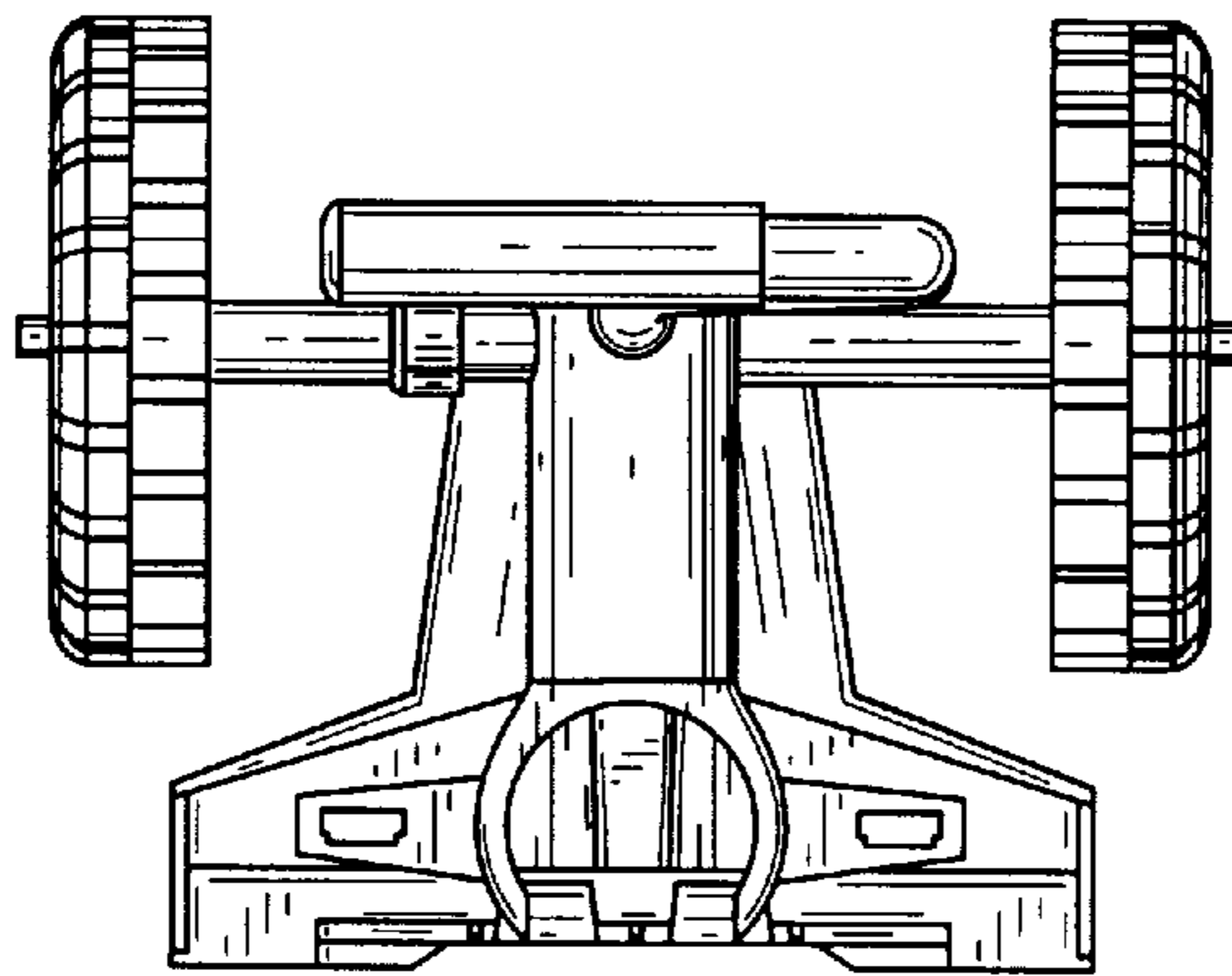


FIG. 6

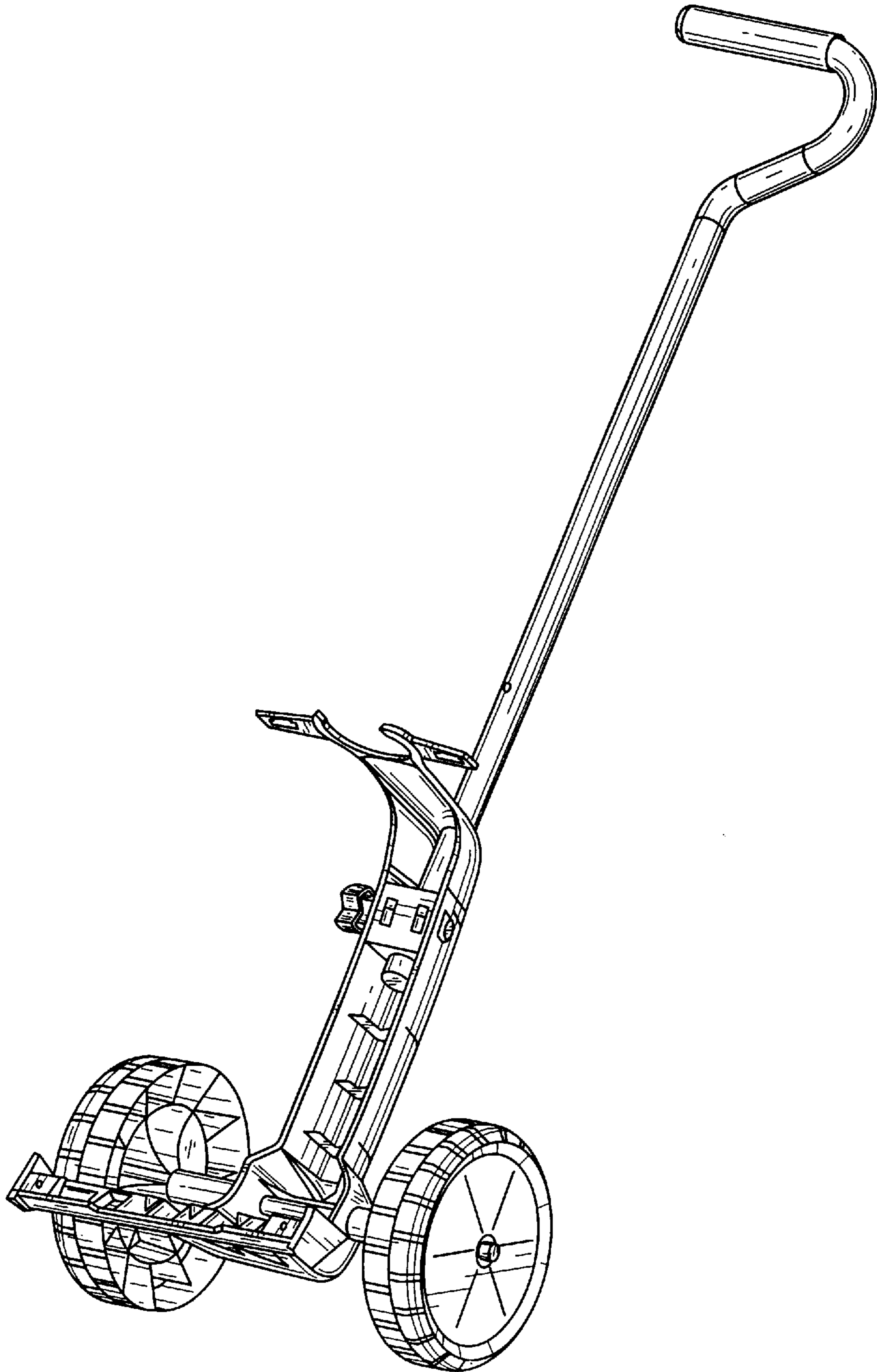


FIG. 7