



US00D399029S

United States Patent [19]

[11] Patent Number: **Des. 399,029**

Falcone et al.

[45] Date of Patent: ****Sep. 29, 1998**

[54] **PET FOOD DISH**

[76] Inventors: **Angelo C. Falcone; Donna Falcone**,
both of 6209 Pacific Ave. #201, Playa
del Rey, Calif. 90293

[**] Term: **14 Years**

[21] Appl. No.: **69,222**

[22] Filed: **Apr. 15, 1997**

[51] **LOC (6) Cl. 30-03**

[52] **U.S. Cl. D30/130**

[58] **Field of Search D30/129-133,**
D30/121-122; 119/51.01, 51.04, 51.11,
51.12, 51.13, 51.5, 52.2, 52.4, 54, 56.1,
61, 230

2,543,465	2/1951	Morey .	
2,677,350	5/1954	Prestidge et al. .	
2,813,509	11/1957	Bruno .	
3,509,813	5/1970	Appelt	D30/130
4,357,905	11/1982	Carpenter .	
4,395,015	7/1983	Reardon	D30/130
4,981,108	1/1991	Faeroe .	
5,031,575	7/1991	Phillips .	
5,069,166	12/1991	Ahuna .	
5,069,167	12/1991	Kasselan	D30/132
5,113,798	5/1992	Rera .	
5,205,242	4/1993	Kasselman .	

FOREIGN PATENT DOCUMENTS

821389	12/1937	France	119/61
0087467	1/1996	Germany	D30/130

OTHER PUBLICATIONS

The Aut-Free Pet Dish brochure; Cover page; d30-130, Aug. 1995.

Primary Examiner—Cathy Anne MacCormac
Attorney, Agent, or Firm—Pretty, Schroeder & Poplawski

[56] References Cited

U.S. PATENT DOCUMENTS

D. 105,812	8/1937	Siekert .	
D. 156,331	12/1949	French .	
D. 232,564	8/1974	Kissin .	
D. 262,069	11/1981	Khider .	
D. 269,386	6/1983	Khider .	
D. 296,485	6/1988	Peterson .	
D. 299,771	2/1989	Kennedy .	
D. 310,768	9/1990	Levine .	
D. 314,454	2/1991	Ahuna .	
D. 316,918	5/1991	Harris .	
D. 326,742	6/1992	Tart .	
D. 338,088	8/1993	Bailey .	
D. 343,929	2/1994	Karapetian .	
D. 352,139	11/1994	King .	
D. 353,233	12/1994	Robles .	
D. 370,314	5/1996	Pearson-Falcom	D30/130
2,191,811	1/1940	Trampier, Sr.	119/51.5

[57] CLAIM

We claim, the ornamental design for a pet food dish, as shown and described.

DESCRIPTION

FIG. 1 is a perspective view of a pet food dish embodying the design;
FIG. 2 is a side elevational view thereof, all sides being the same;
FIG. 3 is a top plan view thereof;
FIG. 4 is a bottom plan view thereof; and,
FIG. 5 is a cross-sectional view taken along the line 5—5 of FIG. 1.

1 Claim, 2 Drawing Sheets

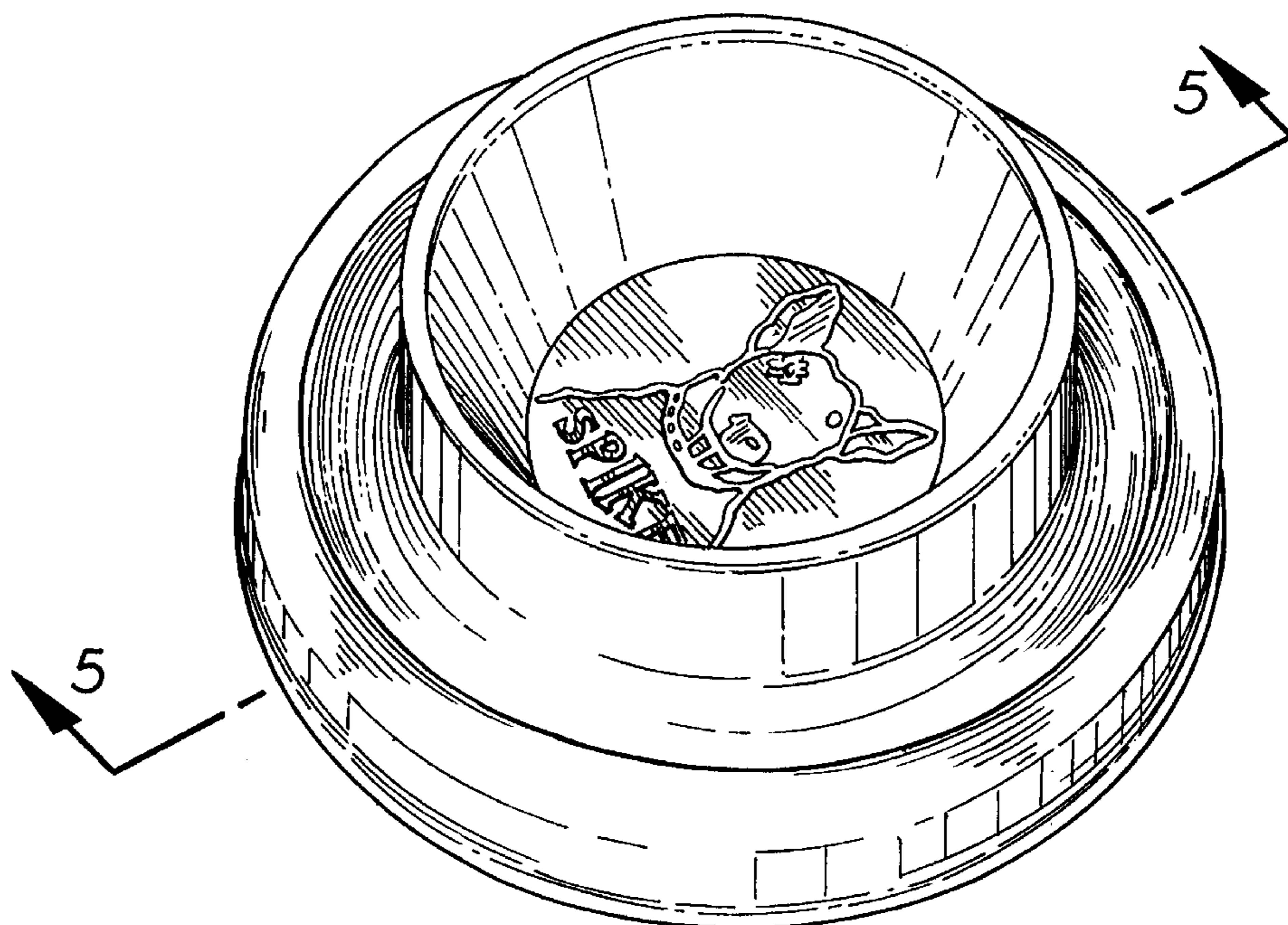


FIG. 1

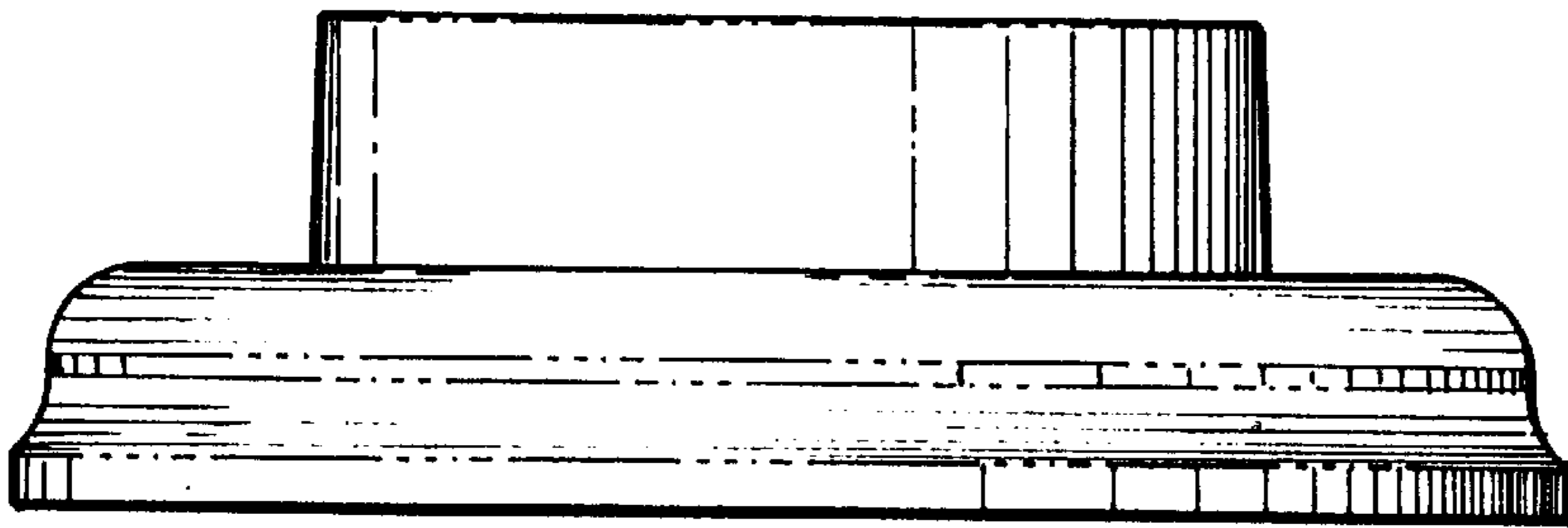
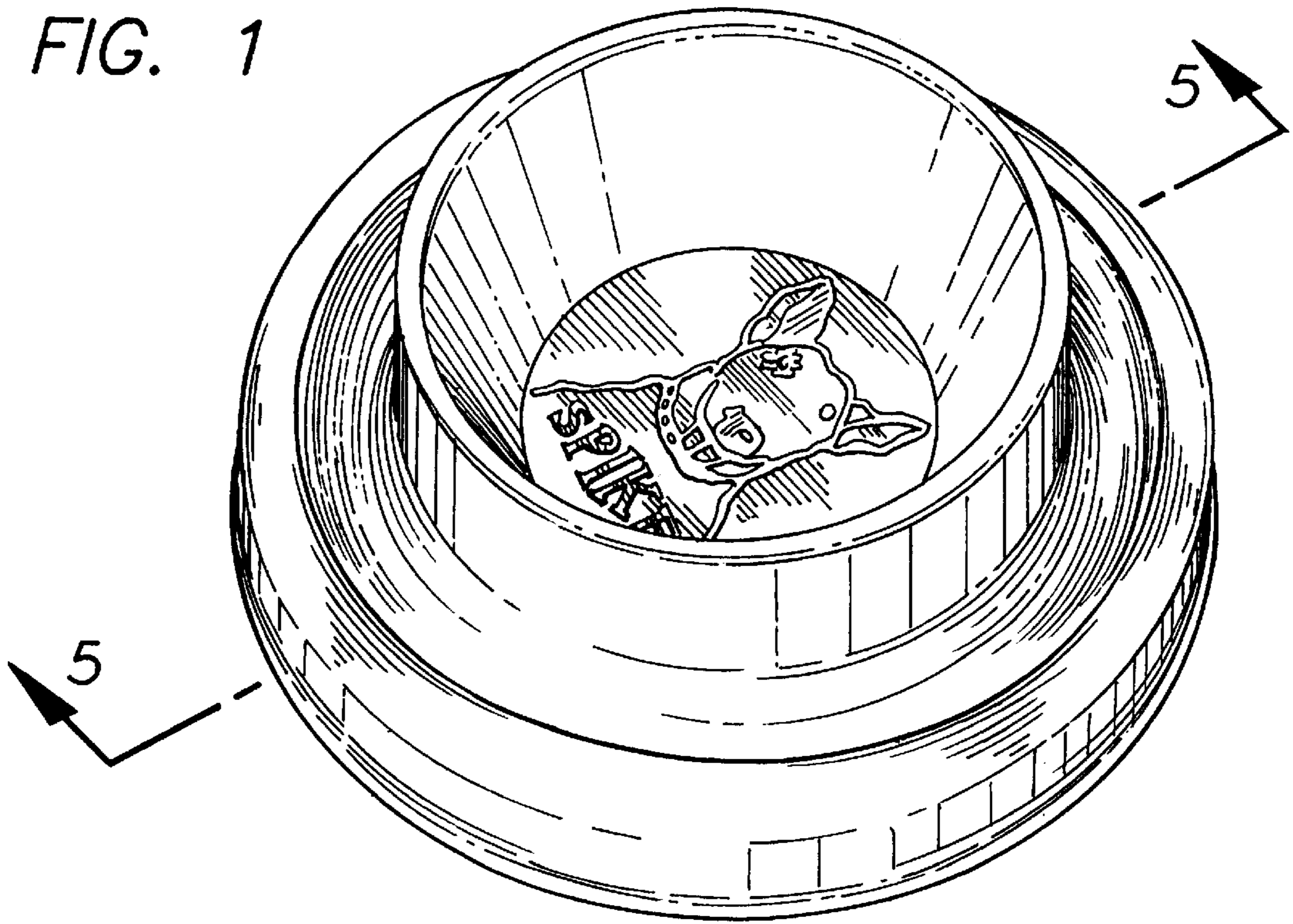


FIG. 2

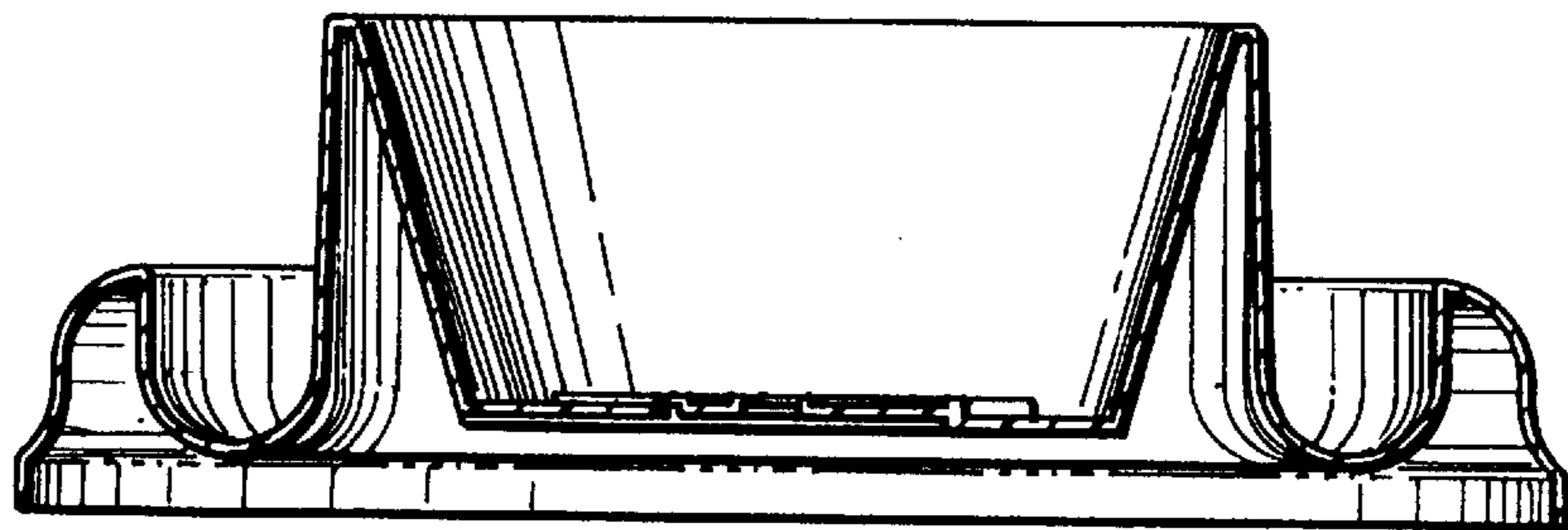


FIG. 5

FIG. 3

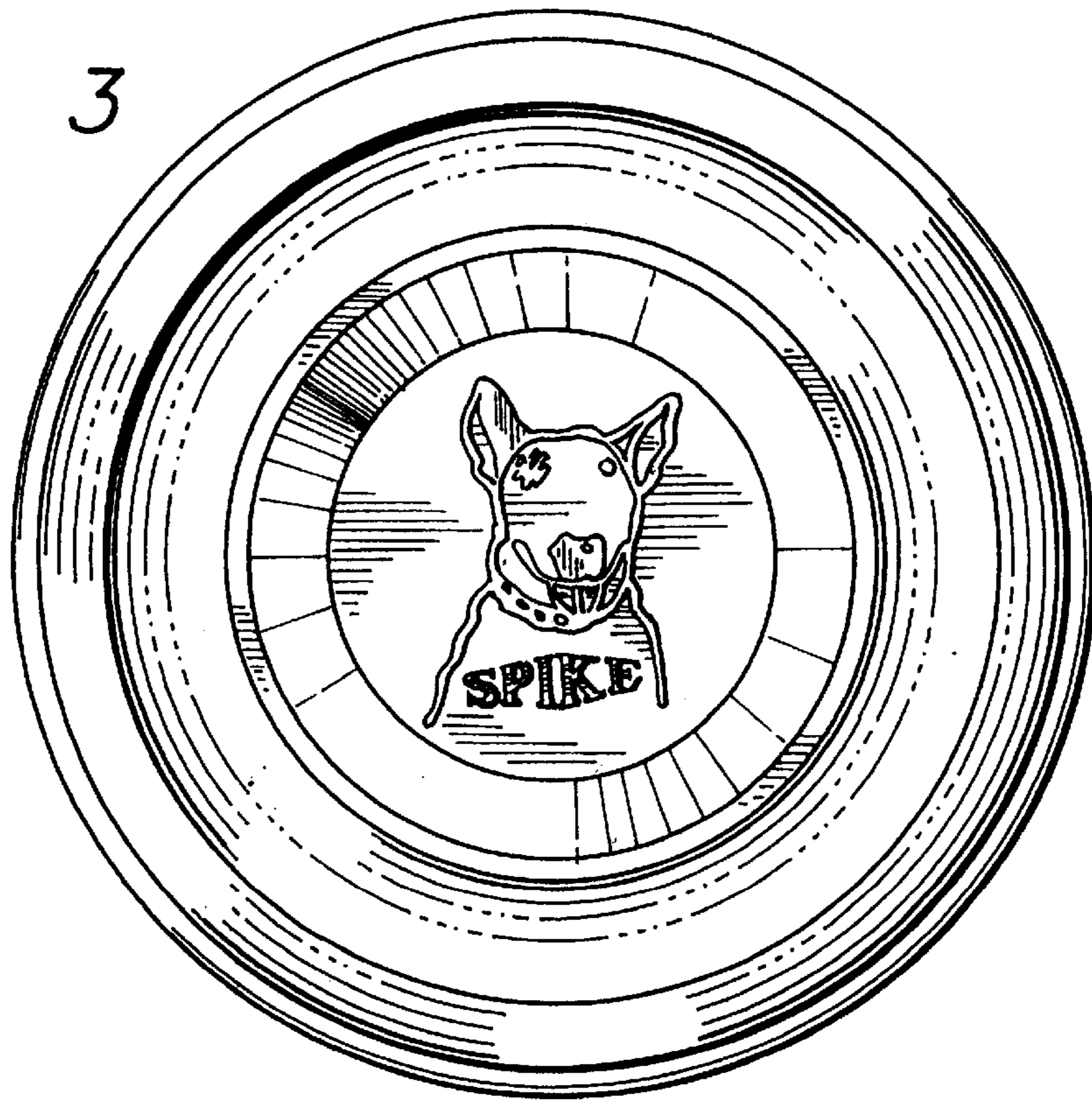


FIG. 4

