



US00D399028S

United States Patent [19]

[11] **Patent Number: Des. 399,028**

Fenne et al.

[45] **Date of Patent: **Sep. 29, 1998**

[54] **FRONT SQUEEZE TRIGGER FOR A FIRE EXTINGUISHER**

D. 290,298	6/1987	Sinclair	D29/129
D. 309,198	7/1990	Macramalla	D29/125
D. 318,146	7/1991	Fitzgerald	D29/125
1,649,718	11/1927	McMullen	239/373

[75] Inventors: **Kenneth R. Fenne**, Glen Ellyn, Ill.; **Clay Burns**, Boston, Mass.; **Victor Cheung**, Chicago, Ill.; **Paul Sabin**, Milton, Mass.; **Susannah Gardner**, Berkeley, Calif.

OTHER PUBLICATIONS

BRK Electronics product catalog CM759, p. 14, 1994.
BRK Brands product catalog CM760, pp. 6-7, 1995.
Pittway Corporation product catalog CM501, 3 pages, 1990.

[73] Assignee: **BRK Brands, Inc.**, Aurora, Ill.

Primary Examiner—Ruth McInroy
Attorney, Agent, or Firm—Rockey, Milnamow & Katz, Ltd.

[**] Term: **14 Years**

[57] CLAIM

[21] Appl. No.: **49,933**

The ornamental design for a front squeeze trigger for a fire extinguisher, as shown and described.

[22] Filed: **Feb. 5, 1996**

DESCRIPTION

[51] **LOC (6) Cl.** **29-01**

[52] **U.S. Cl.** **D29/129**

[58] **Field of Search** D23/225-226,
D23/223, 232; D29/125-130; D22/104;
169/30, 70-71, 74, 76-78; 222/324, 402.1,
465.1, 470; D8/2

FIG. 1 is a perspective view of a front squeeze trigger for a fire extinguisher showing our new design;
FIG. 2 is a top plan view thereof;
FIG. 3 is a front elevational view thereof;
FIG. 4 is a right side elevational view thereof;
FIG. 5 is a rear elevational view thereof; and,
FIG. 6 is a left side elevational view thereof.

[56] References Cited

U.S. PATENT DOCUMENTS

D. 153,865	5/1949	Edelstone et al.	D23/225
D. 159,897	8/1950	Edelstone et al.	D23/226
D. 179,665	2/1957	Sykes	D23/225
D. 244,702	6/1977	Montambo	D29/129
D. 279,035	5/1985	Braswell	D29/129

The fire extinguisher bottle is shown in broken lines in FIGS. 1, 3-6 for illustrative purposes only and forms no part of the claimed design.

1 Claim, 1 Drawing Sheet

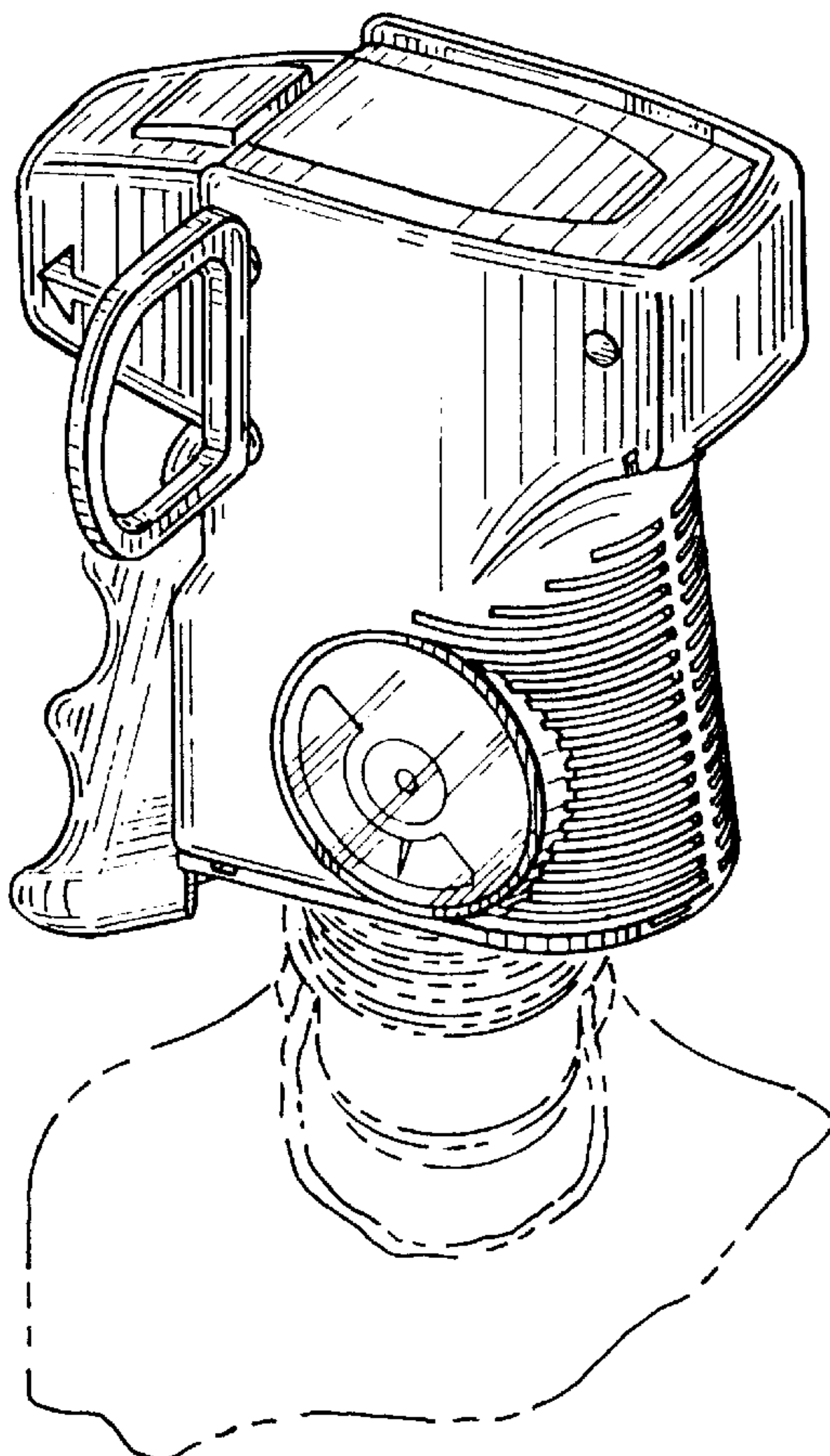


Fig. 1

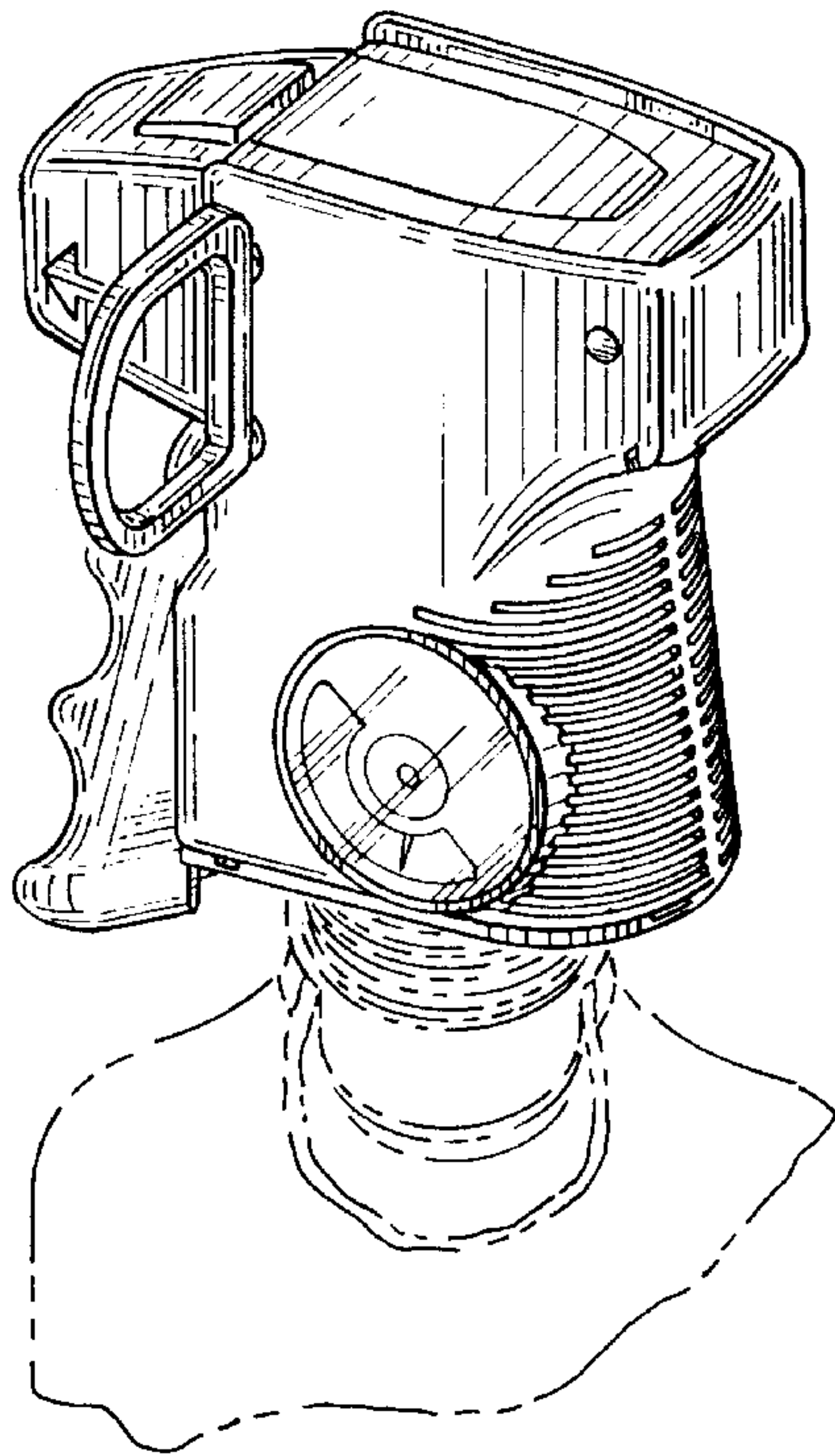


Fig. 6

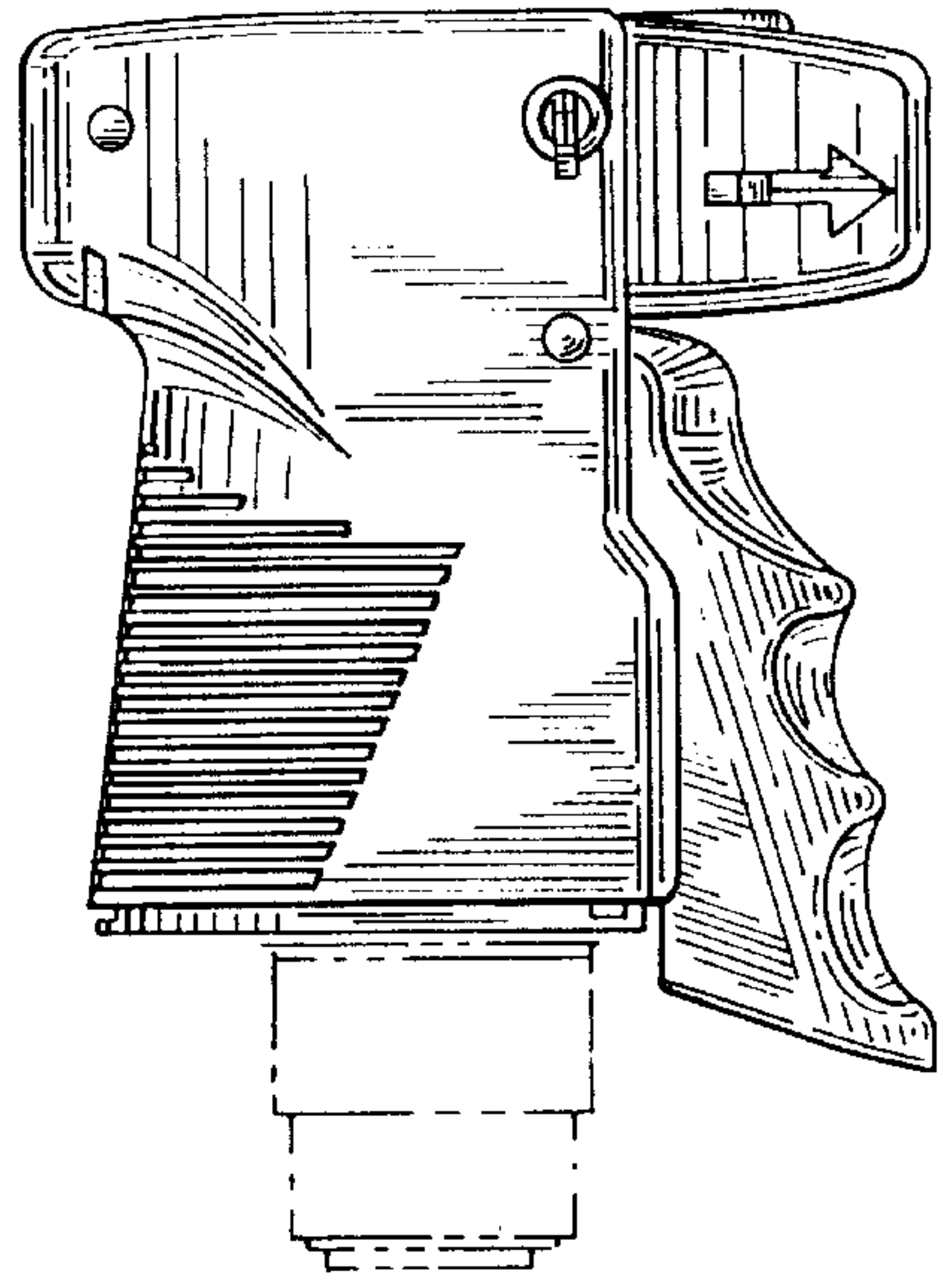


Fig. 2

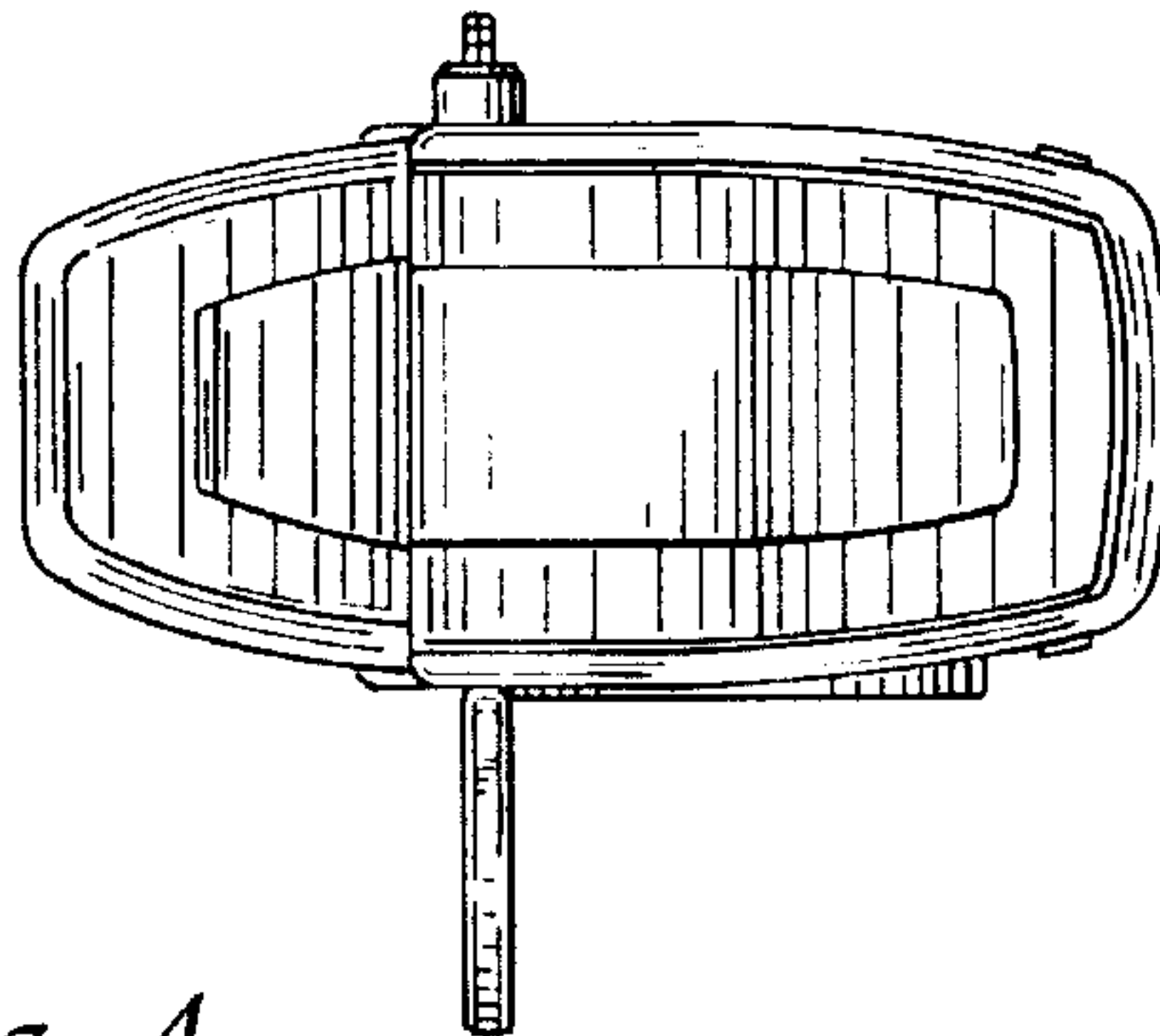


Fig. 3

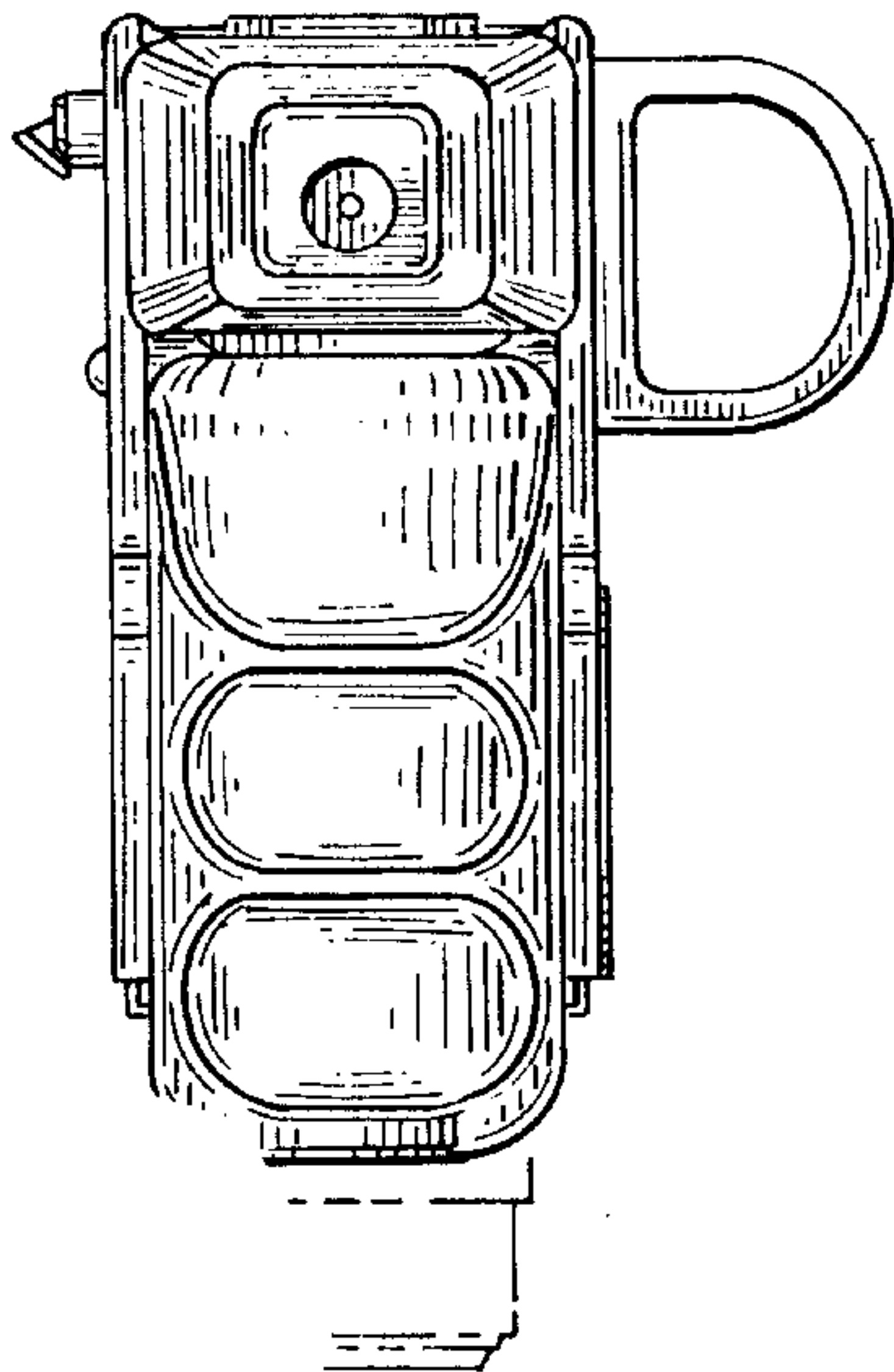


Fig. 4

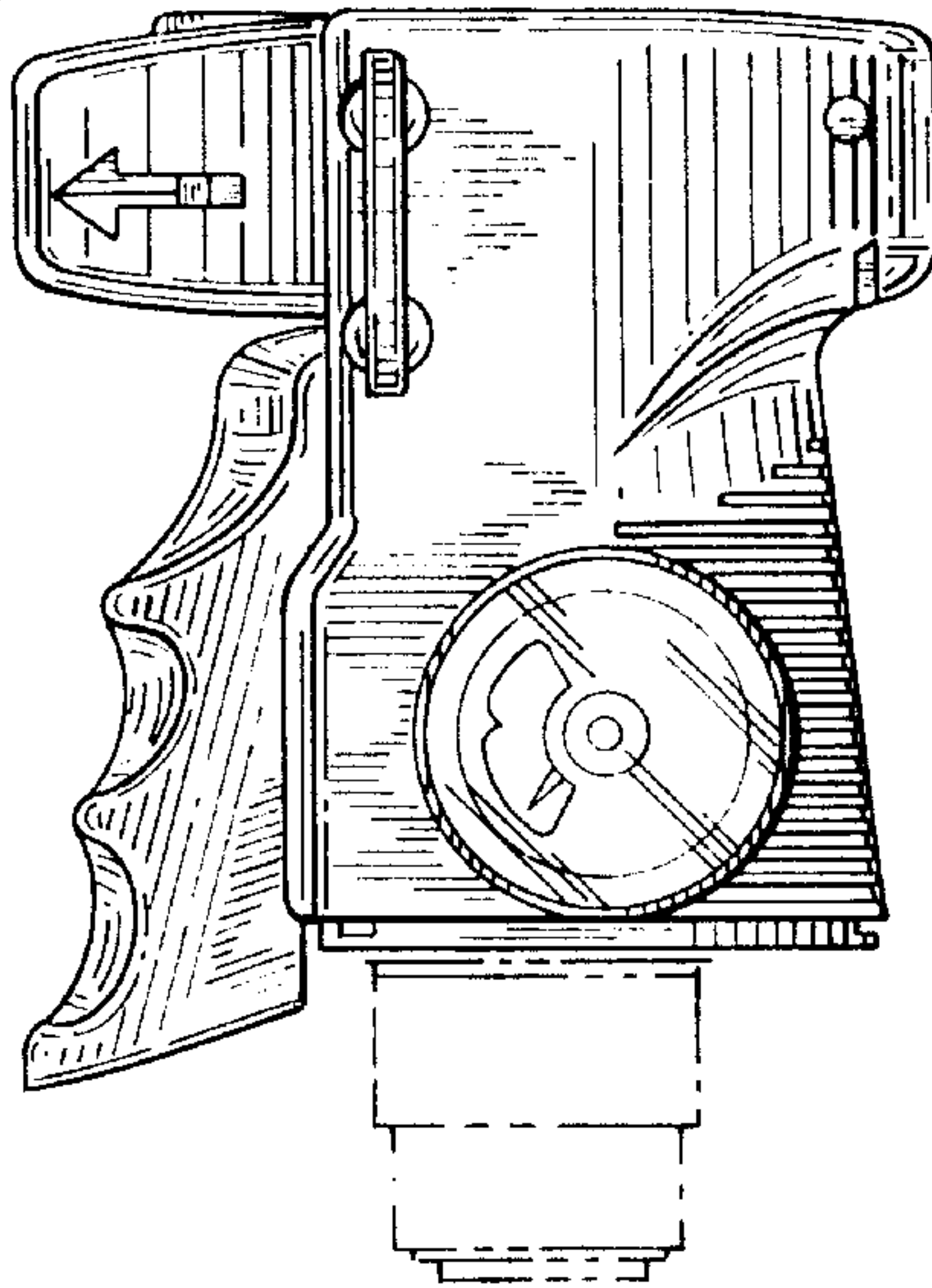


Fig. 5

