



US00D399025S

United States Patent [19]
Whitlock

[11] **Patent Number: Des. 399,025**
[45] **Date of Patent: **Sep. 29, 1998**

[54] **CIGARETTE EXTINGUISHER**
[76] Inventor: **J. E. Kenneth Whitlock**, 6210 NW.
31st Ter., Bethany, Okla. 73008
[**] Term: **14 Years**
[21] Appl. No.: **74,151**
[22] Filed: **Jul. 28, 1997**
[51] **LOC (6) Cl.** **27-03**
[52] **U.S. Cl.** **D27/134; D27/135**
[58] **Field of Search** D27/102, 103,
D27/105, 106, 125, 133, 134, 135, 110;
131/242, 235.1, 329, 256

D. 362,921 10/1995 Krystek D27/106 X
1,805,016 5/1931 Schwartz .
3,186,414 6/1965 Davis .
4,142,537 3/1979 Fenelon 220/576 X

Primary Examiner—Susan J. Lucas
Assistant Examiner—Jennifer Rivard
Attorney, Agent, or Firm—Bill D. McCarthy; Phillip L.
Free, Jr.; Randall K. McCarthy

[57] **CLAIM**

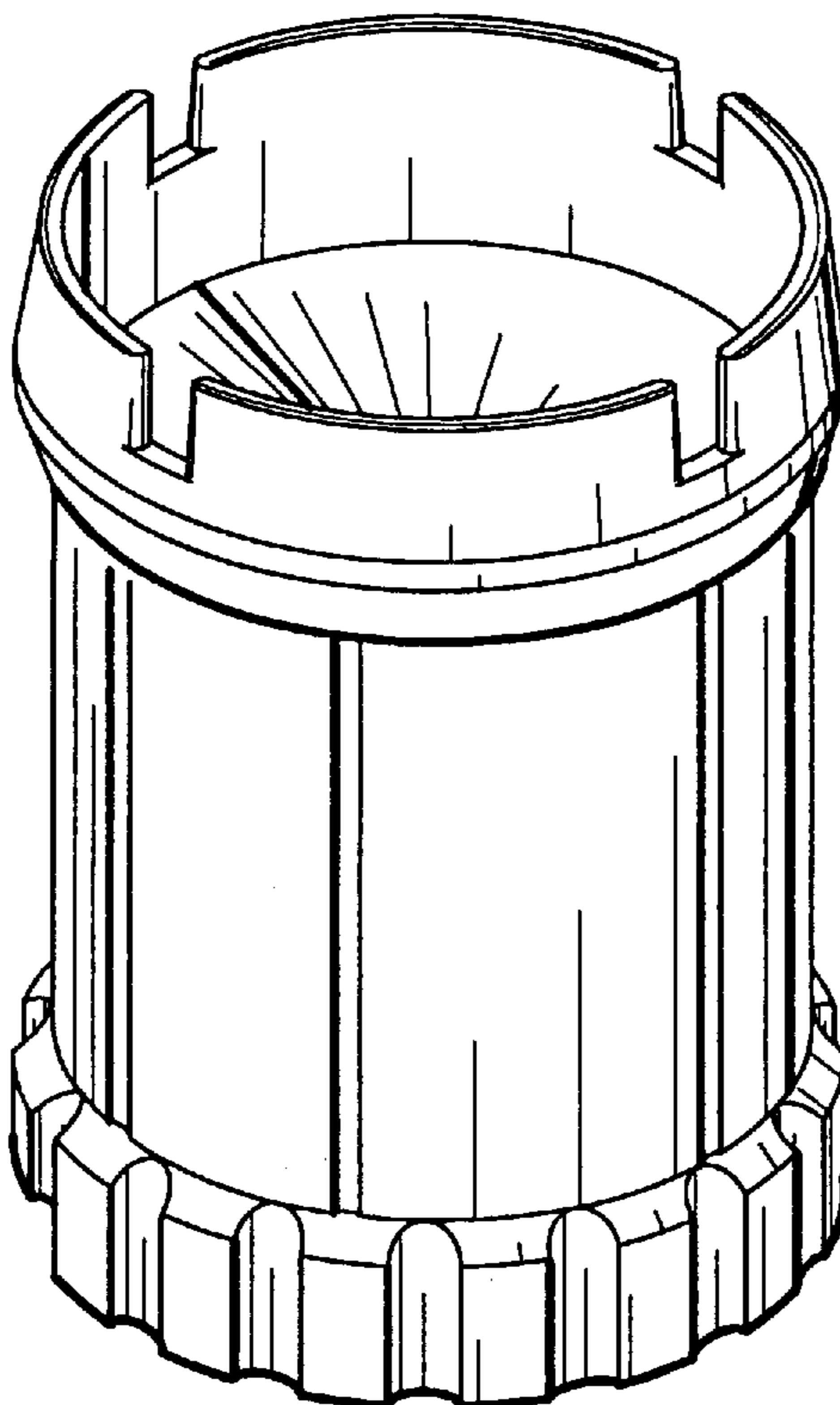
The ornamental design for a cigarette extinguisher, as shown and described.

DESCRIPTION

FIG. 1 is a perspective view of a cigarette extinguisher showing my new design;
FIG. 2 is a plan view of the top end thereof;
FIG. 3 is a plan view of the bottom end thereof;
FIG. 4 is an elevational view of the front thereof; the rear elevational view being a mirror image thereof; and,
FIG. 5 is an elevational view of one side thereof, the other side elevational view being a mirror image thereof.

[56] **References Cited**
U.S. PATENT DOCUMENTS
D. 172,130 5/1954 Coulter .
D. 244,302 5/1977 Bradley .
D. 251,174 2/1979 Biever .
D. 266,879 11/1982 Pastirnk D27/133
D. 309,352 7/1990 Harder et al. D27/135
D. 323,720 2/1992 Leung D27/102

1 Claim, 1 Drawing Sheet



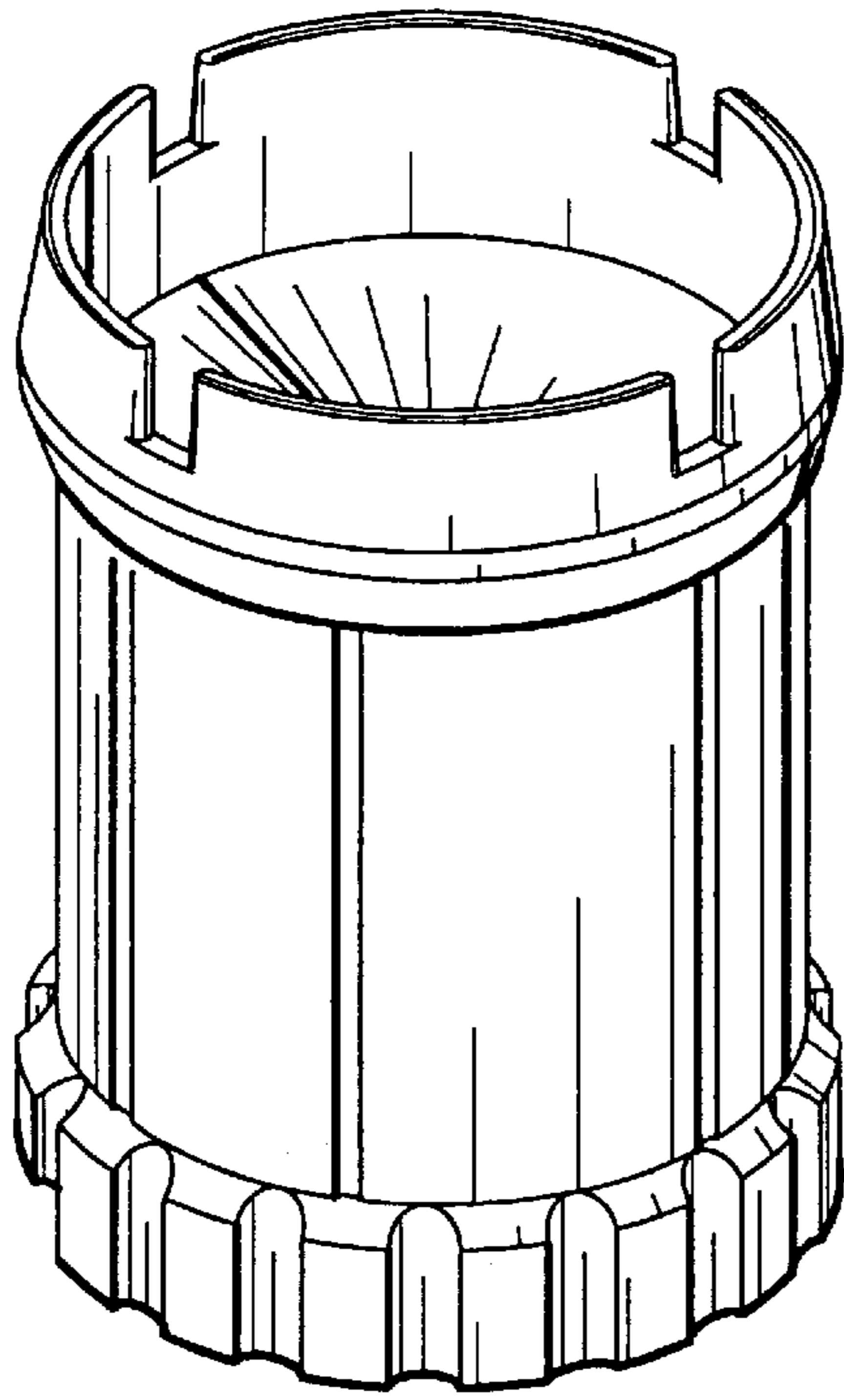


FIG. 1

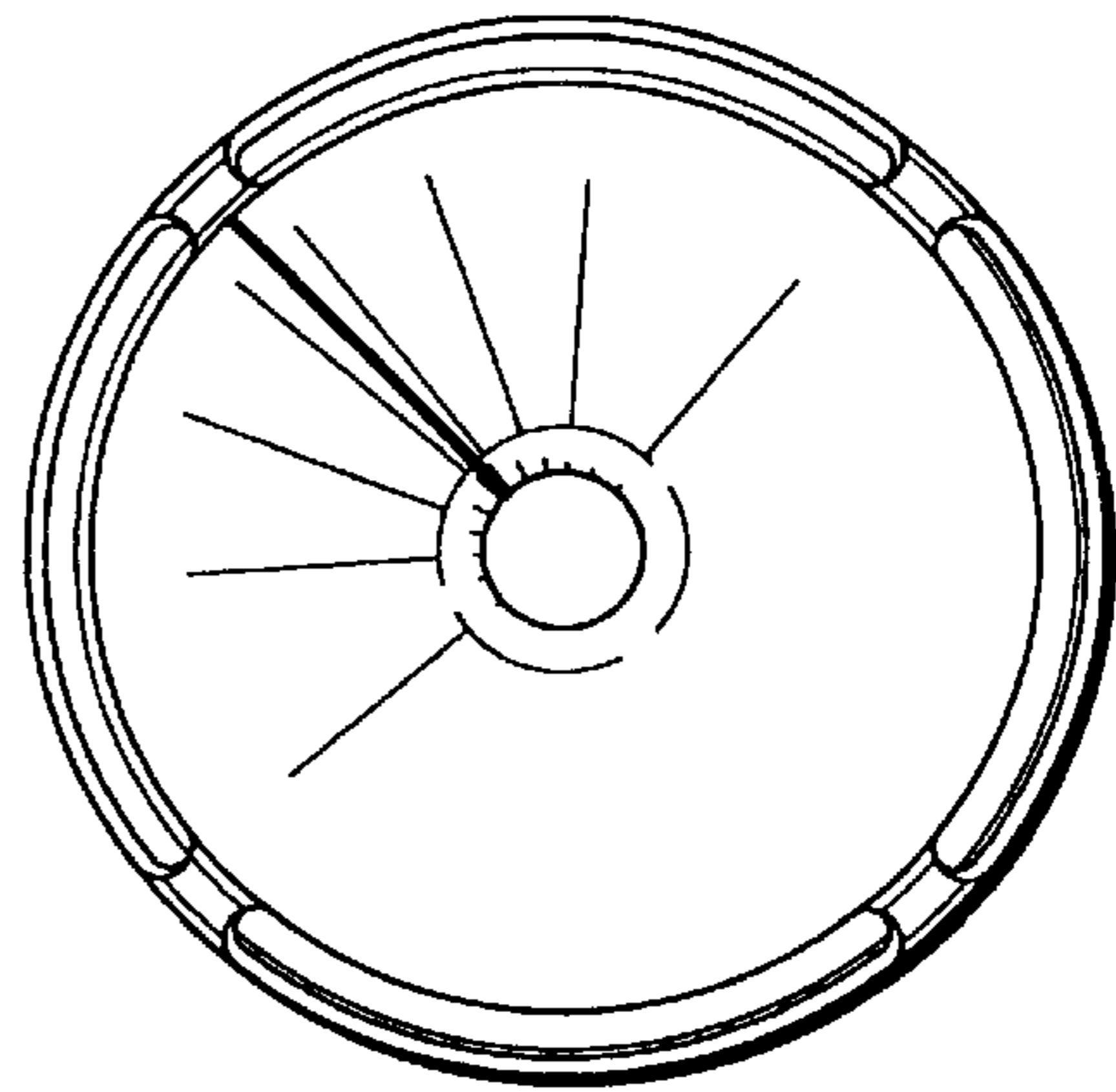


FIG. 2

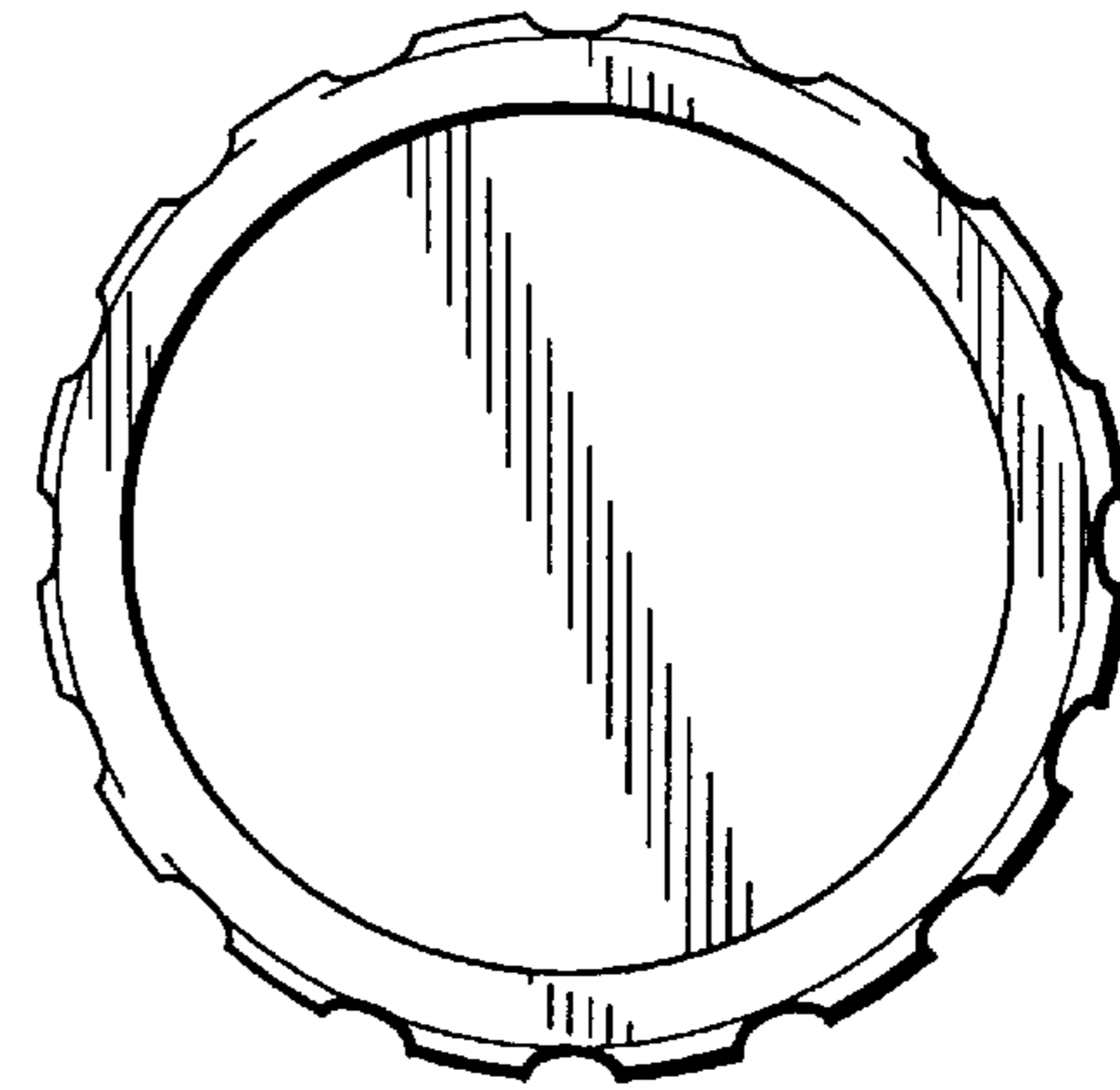


FIG. 3

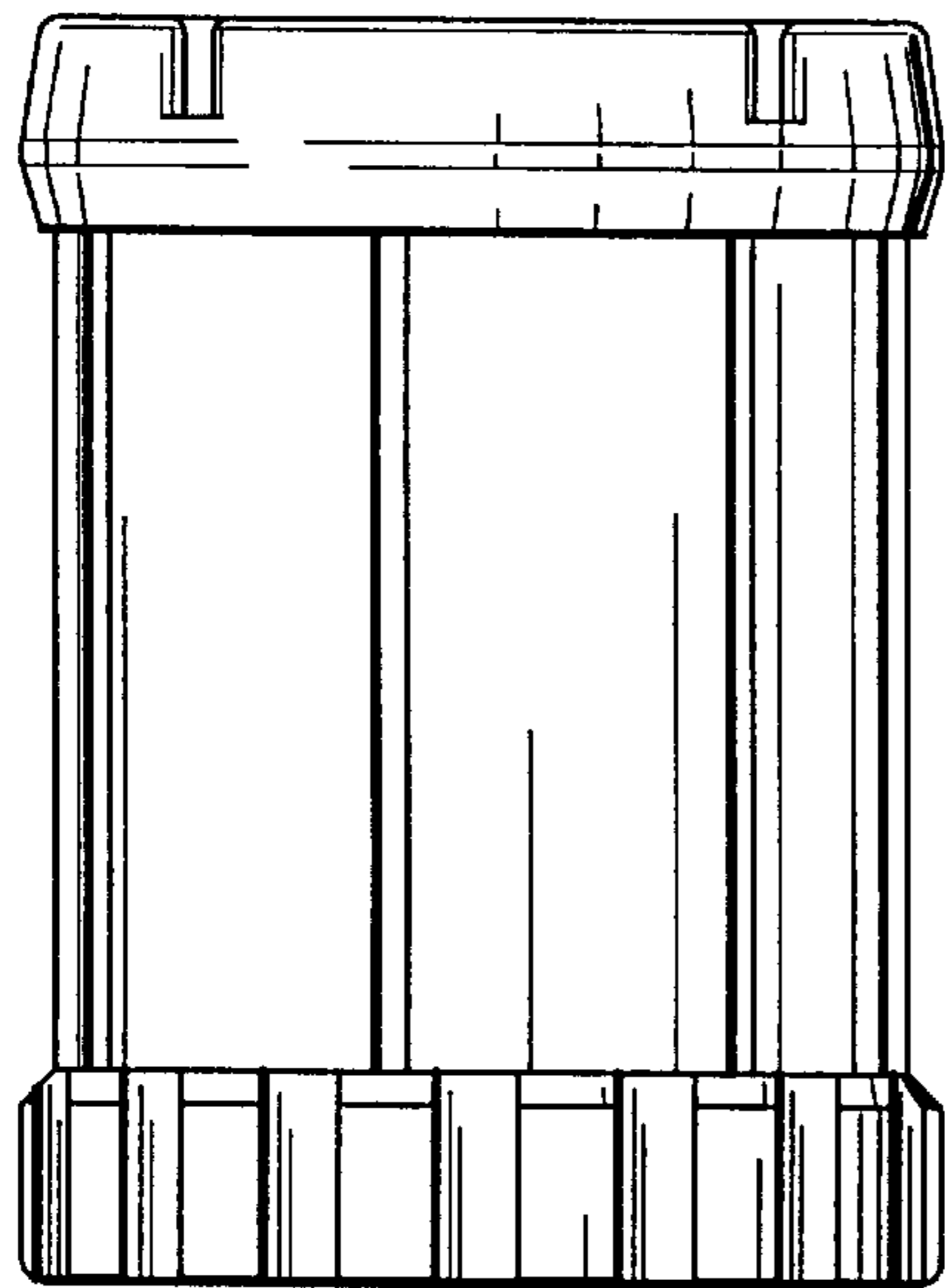


FIG. 4

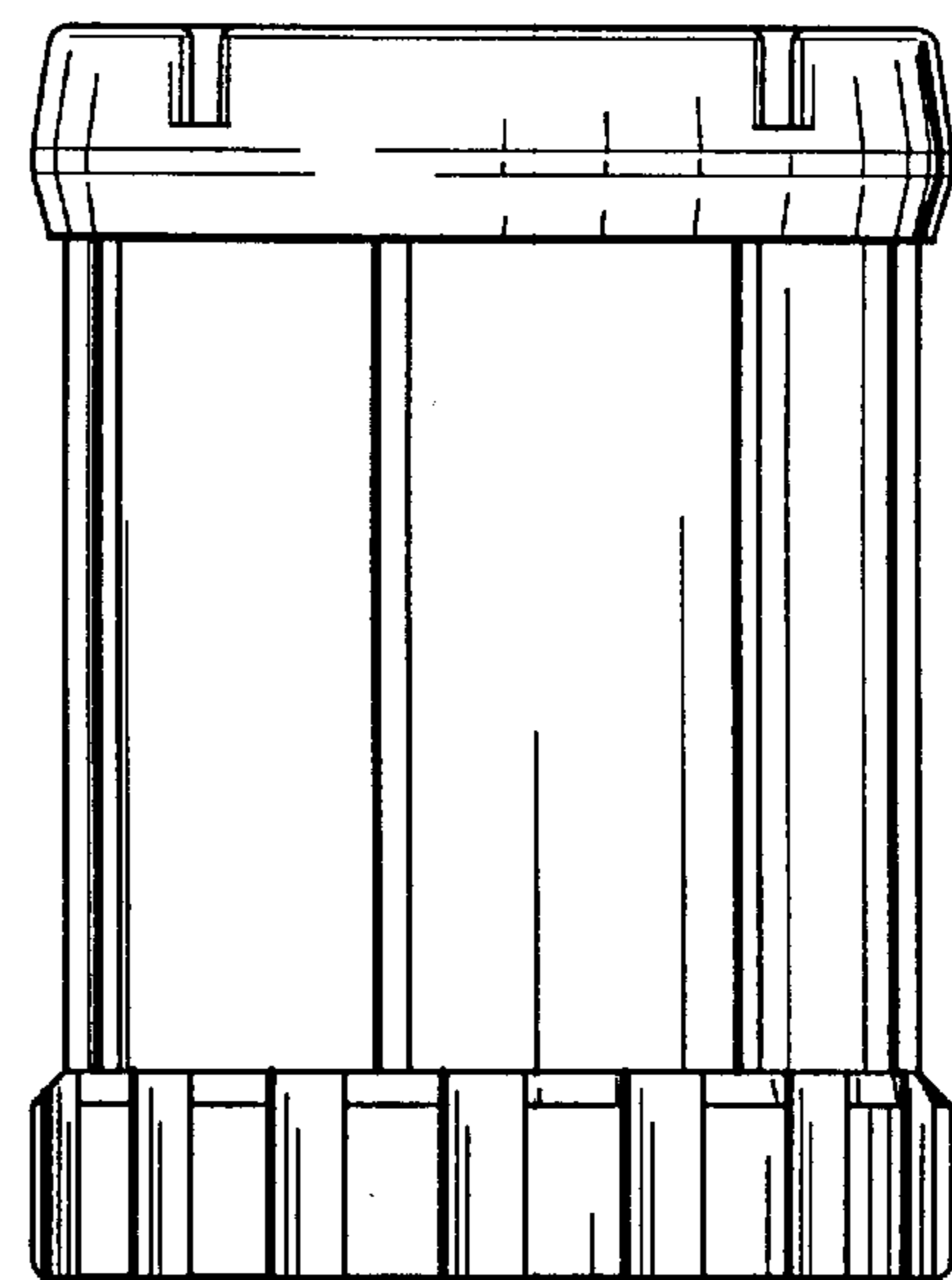


FIG. 5