



US00D399020S

United States Patent [19] Lo

[11] **Patent Number: Des. 399,020**

[45] **Date of Patent: **Sep. 29, 1998**

[54] **PENDANT LAMP**

Attorney, Agent, or Firm—Rosenberg, Klein & Bilker

[76] Inventor: **Wen-Wang Lo**, No. 6, Tinghu 2nd St.,
Kweishan Hsiang, Taoyuan Hsien,
Taiwan

[57] **CLAIM**

[**] Term: **14 Years**

The ornamental design for a pendant lamp, as shown and described.

[21] Appl. No.: **64,055**

DESCRIPTION

[22] Filed: **Dec. 20, 1996**

[51] **LOC (6) Cl.** **26-05**

FIG. 1 is a perspective view of a pendant lamp showing my new design;

[52] **U.S. Cl.** **D26/90**

FIG. 2 is a top plain view thereof;

[58] **Field of Search** D26/72, 80-92,
D26/140, 143, 138, 148, 157; 362/147,
404-408

FIG. 3 is a bottom plain view thereof;

[56] **References Cited**

FIG. 4 is a front elevational view thereof;

U.S. PATENT DOCUMENTS

FIG. 5 is a rear elevational view thereof;

- D. 47,591 7/1915 Guth et al. D26/90
- D. 264,136 4/1982 Castigliosi D25/85

FIG. 6 is a left side elevational view thereof; and,

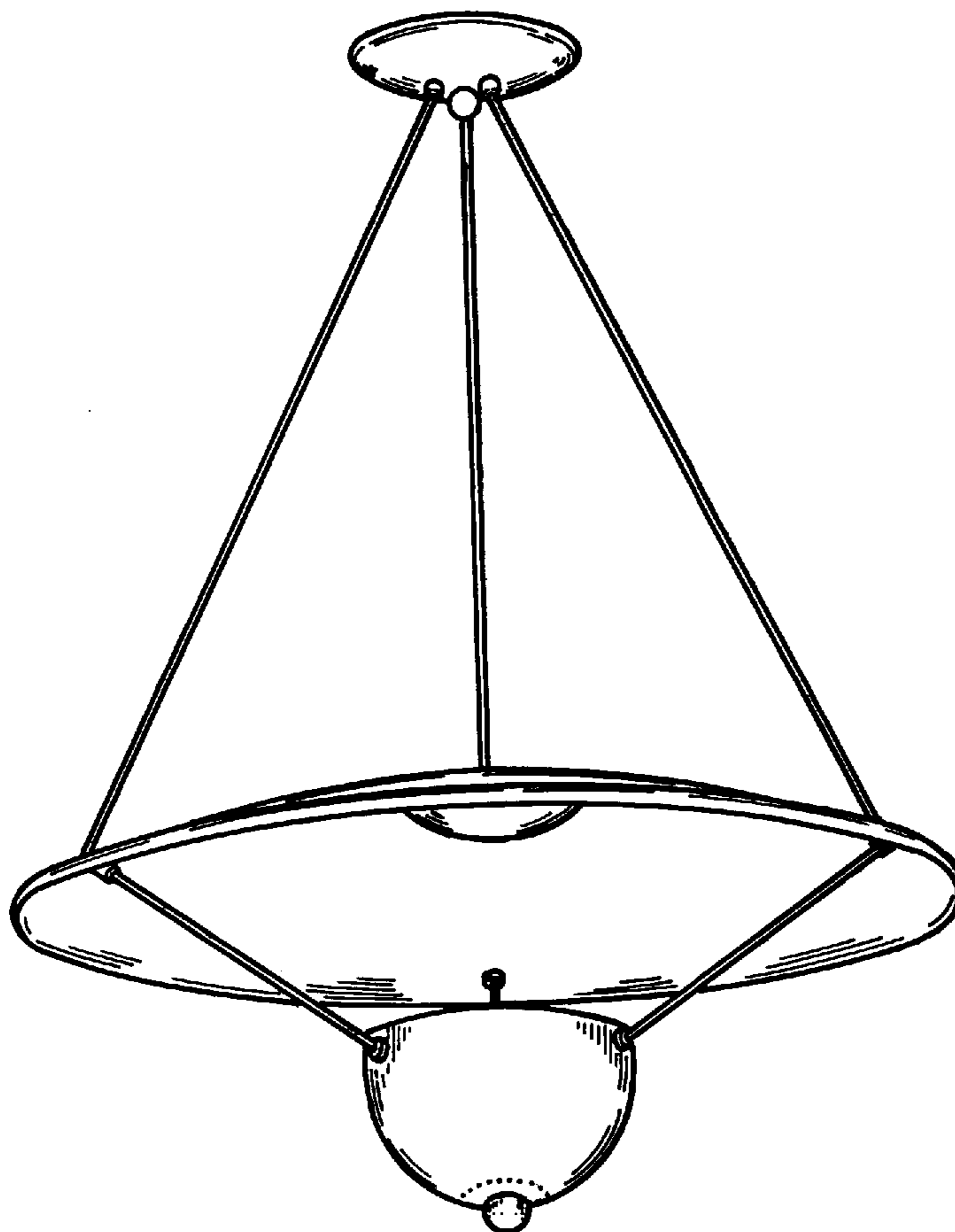
OTHER PUBLICATIONS

FIG. 7 is a right side elevational view thereof.

Multiworld Lighting catalig, front page, pendant lamp,
1989.

Primary Examiner—Susan J. Lucas

1 Claim, 4 Drawing Sheets



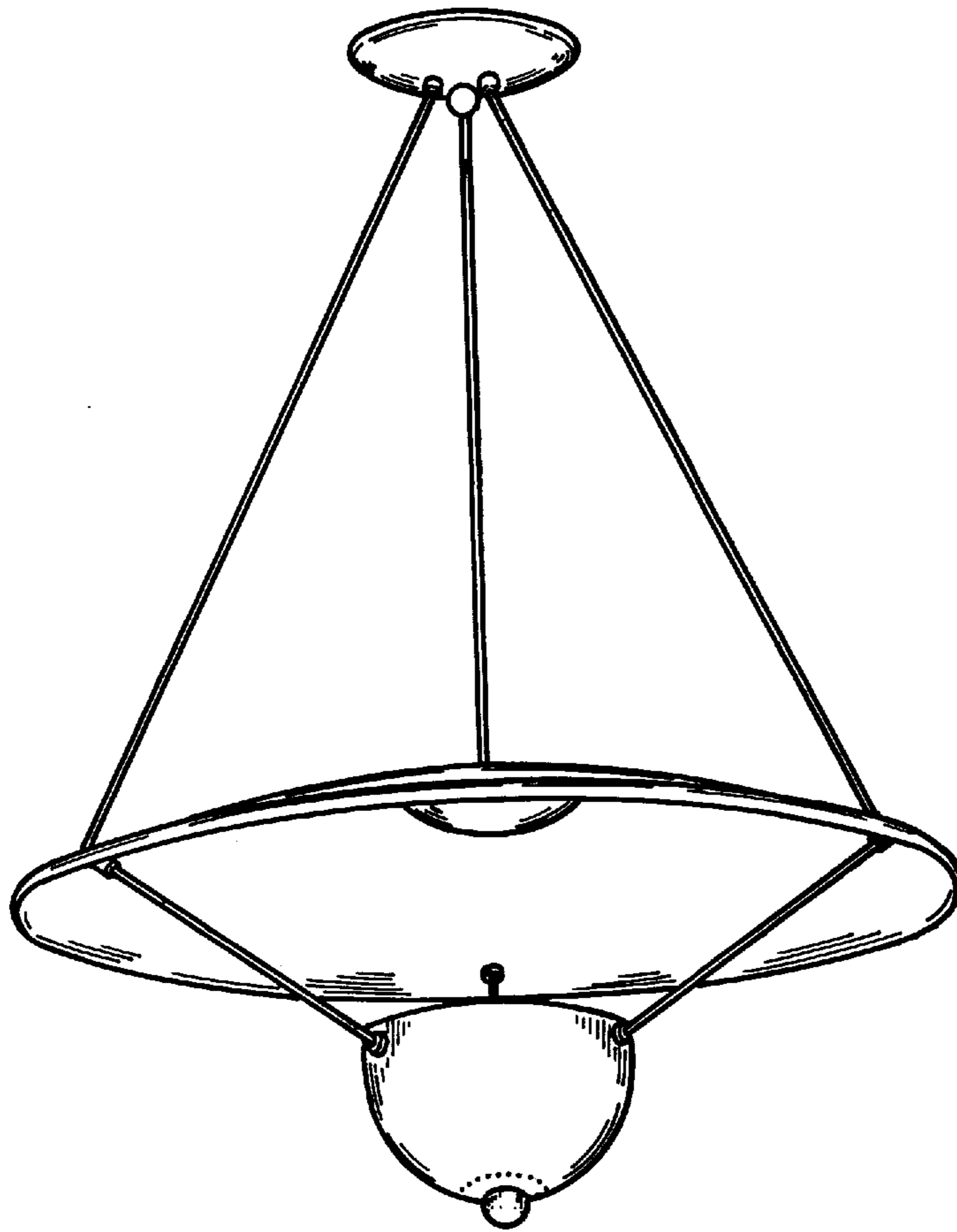


FIG. 1

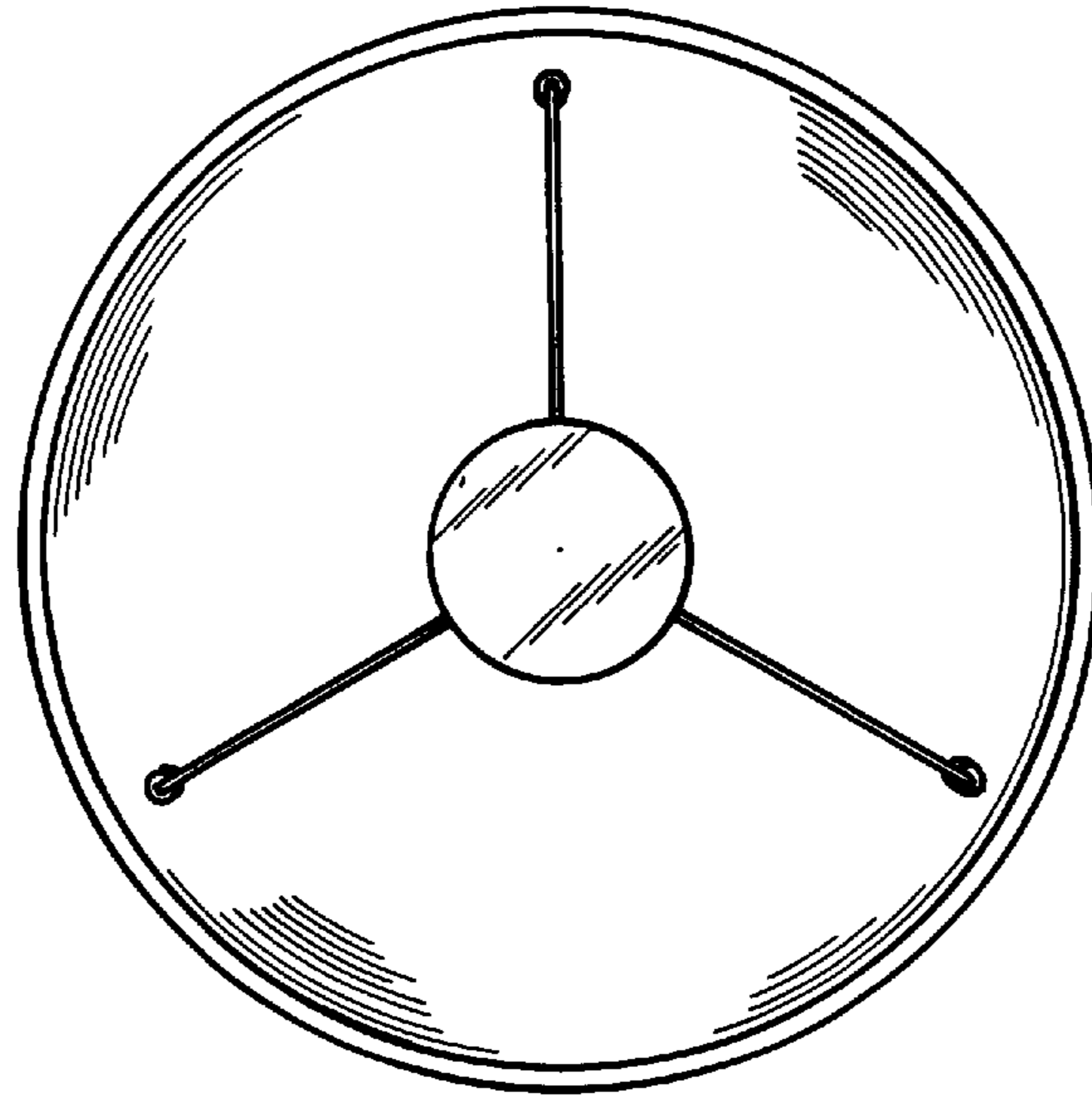


FIG. 2

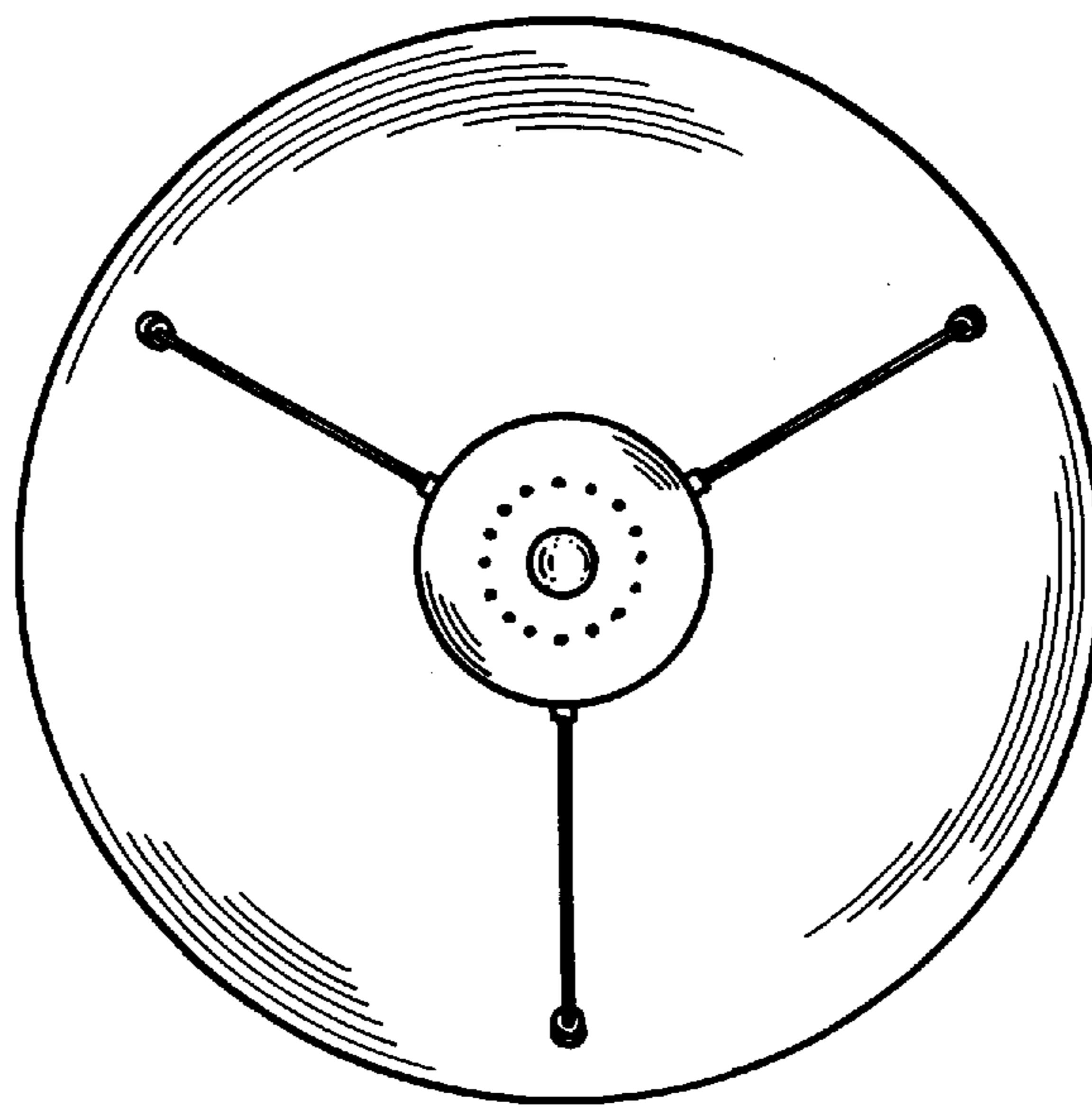


FIG. 3

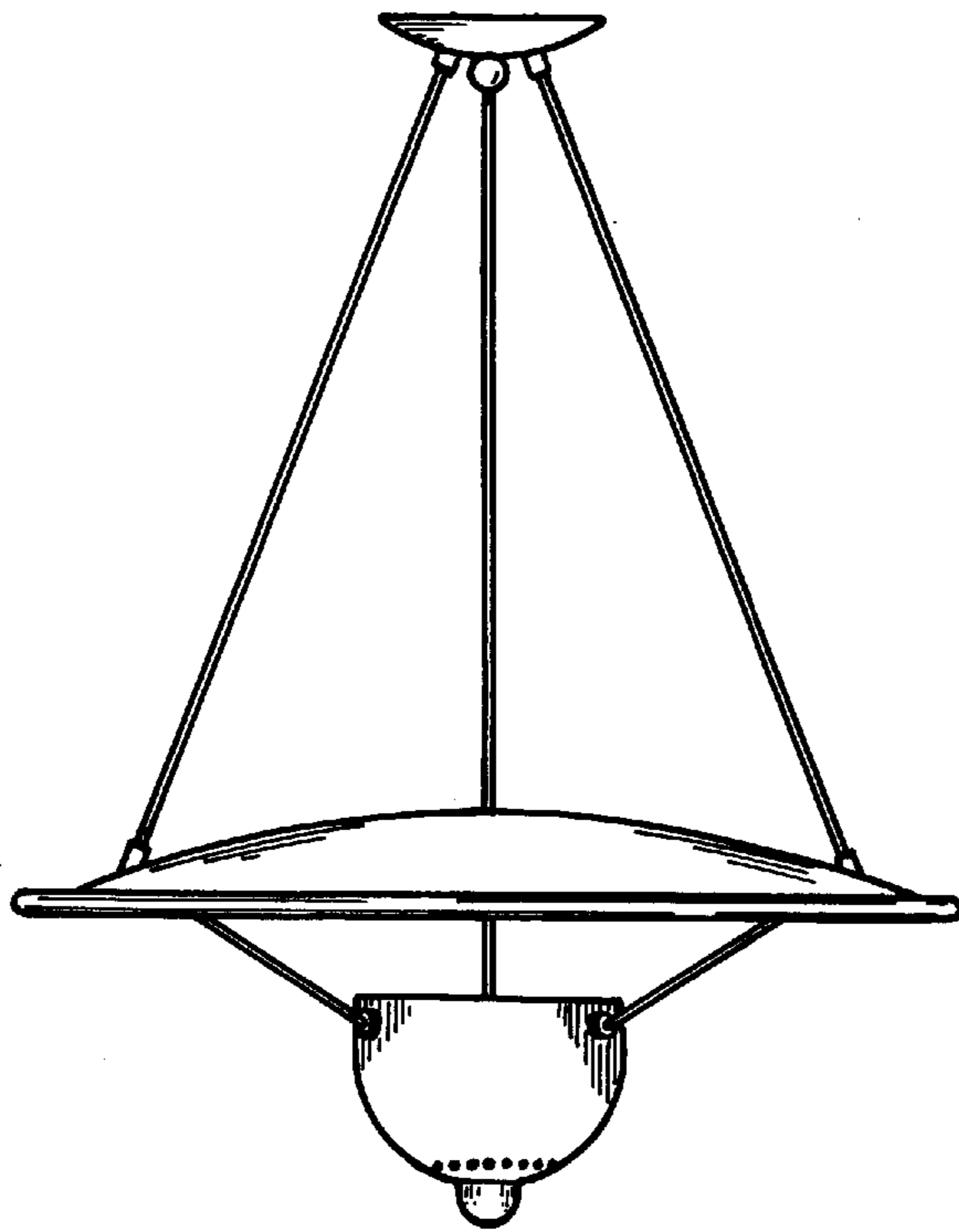


FIG. 4

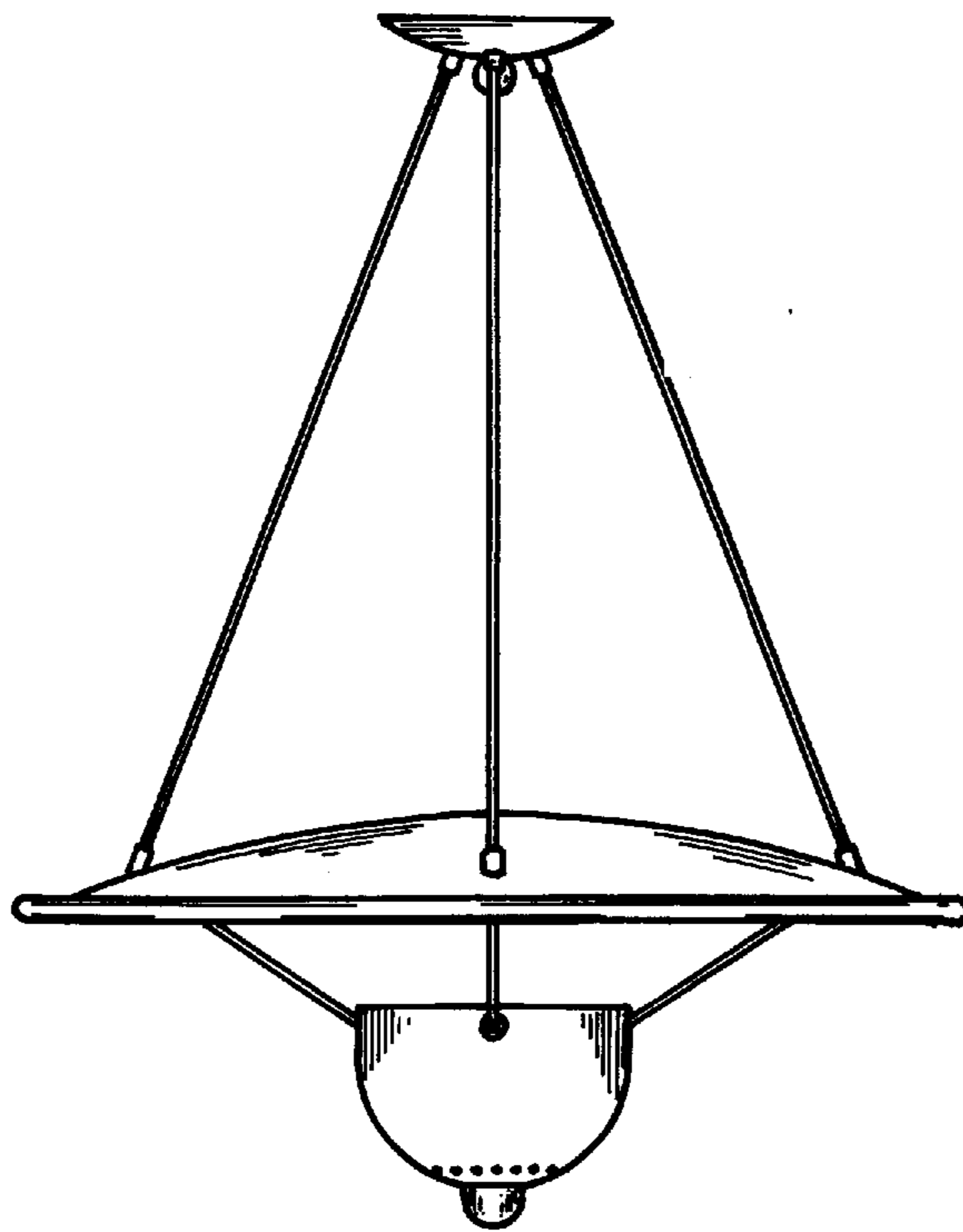


FIG. 5

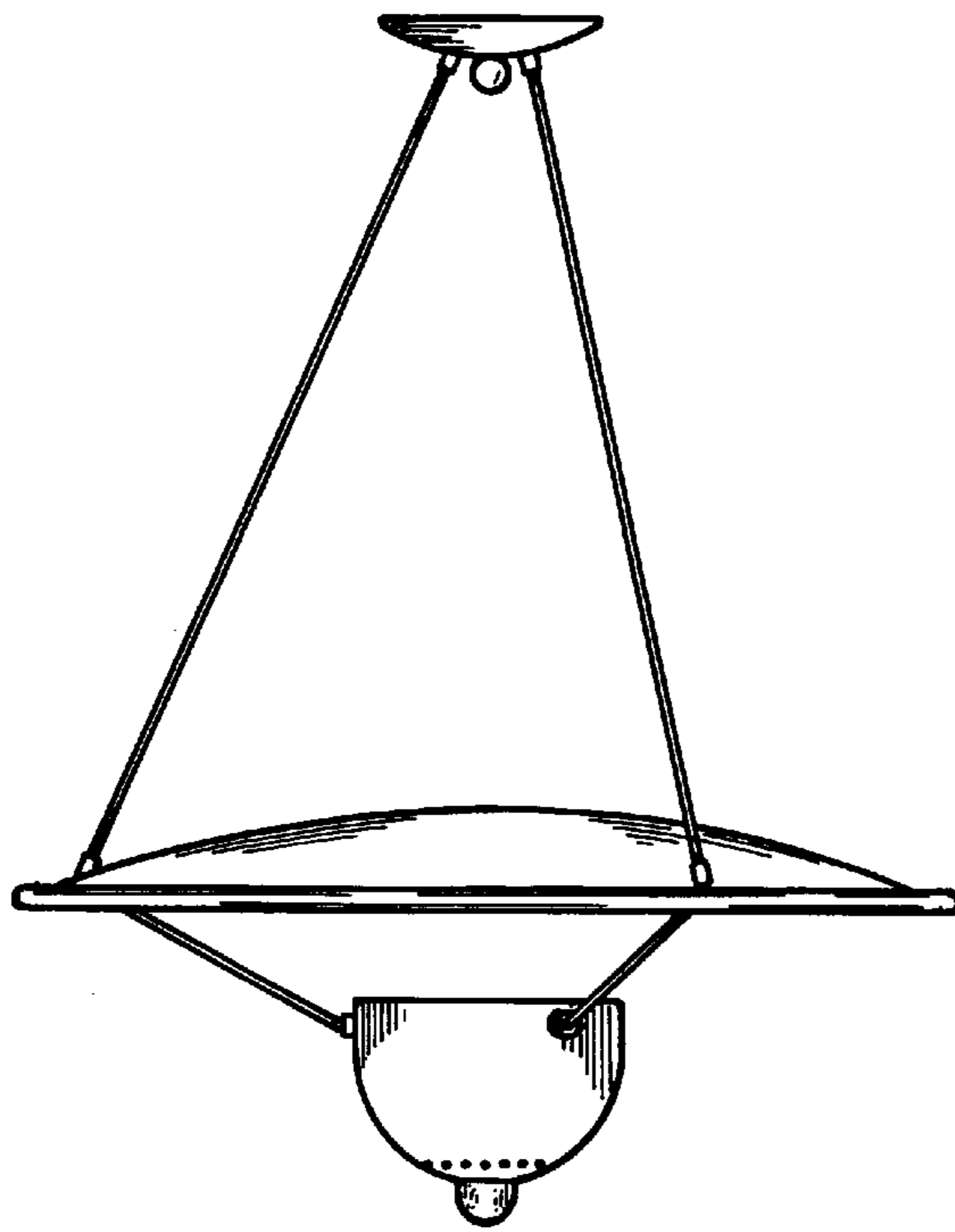


FIG. 6

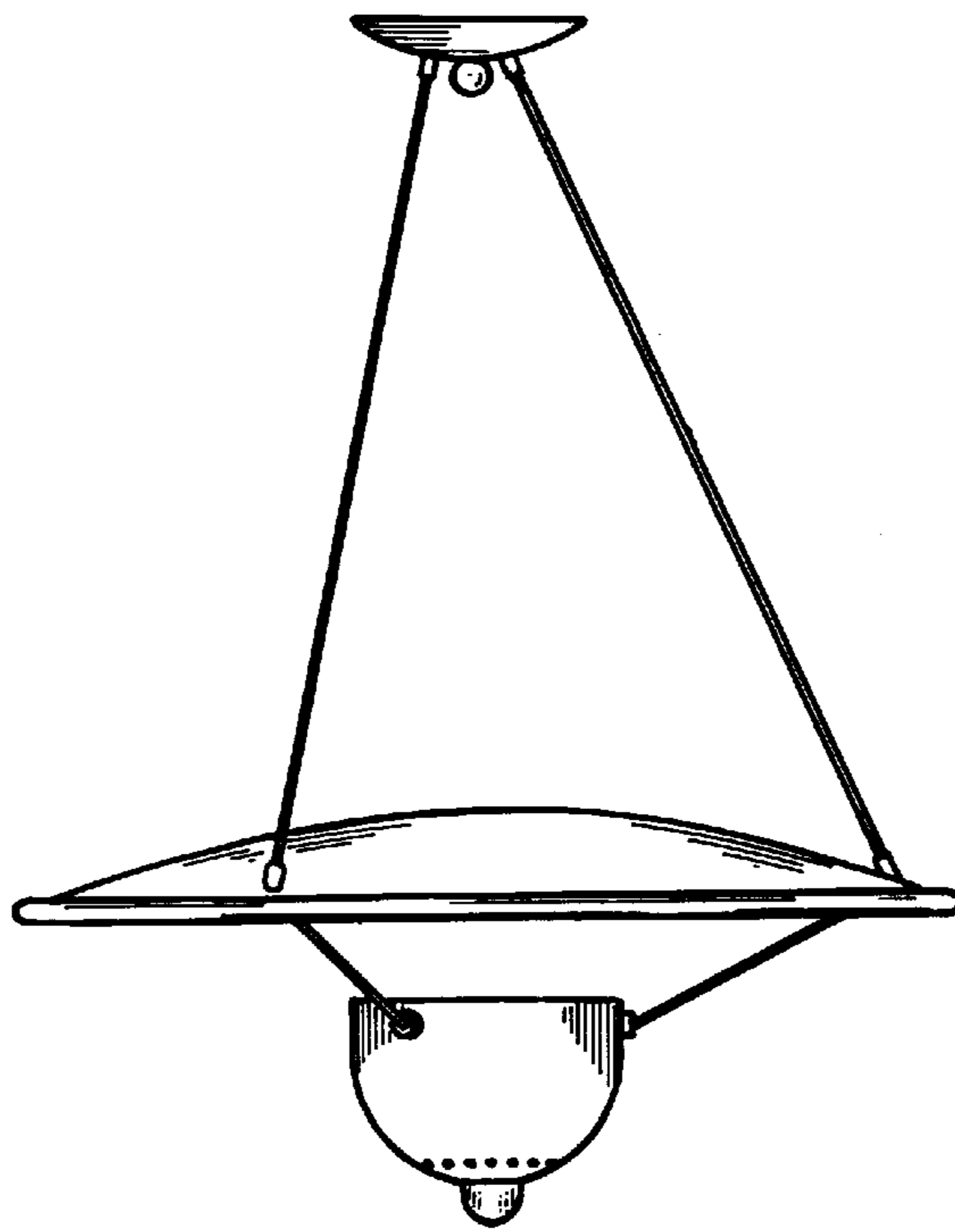


FIG. 7