



US00D399017S

United States Patent [19]

[11] **Patent Number: Des. 399,017**

Leen

[45] **Date of Patent: **Sep. 29, 1998**

[54] **MERCURY VAPOR LIGHT**

Attorney, Agent, or Firm—Christensen O'Connor Johnson Kindness PLLC

[76] Inventor: **Monte A. Leen**, 1804 W. Lake Sammamish Pkwy. NE., Bellevue, Wash. 98008

[57] **CLAIM**

[**] Term: **14 Years**

The ornamental design for a mercury vapor light, as shown and described.

[21] Appl. No.: **77,546**

DESCRIPTION

[22] Filed: **Oct. 3, 1997**

FIG. 1 is a top isometric view of one embodiment of a mercury vapor light showing my new design; FIG. 2 is a side elevational view thereof; FIG. 3 is a front elevational view thereof; FIG. 4 is a back elevational view thereof; FIG. 5 is a top plan view thereof; FIG. 6 is a bottom plan view thereof; FIG. 7 is a top isometric view of an alternative embodiment of a mercury vapor light showing my new design; FIG. 8 is a side elevational view thereof; FIG. 9 is a front elevational view thereof; FIG. 10 is a back elevational view thereof; FIG. 11 is a top plan view thereof; and, FIG. 12 is a bottom plan view thereof.

[51] **LOC (6) Cl.** **26-02**

[52] **U.S. Cl.** **D26/45**

[58] **Field of Search** D26/37-50; 362/157, 362/158, 183-200, 201, 202, 205, 258

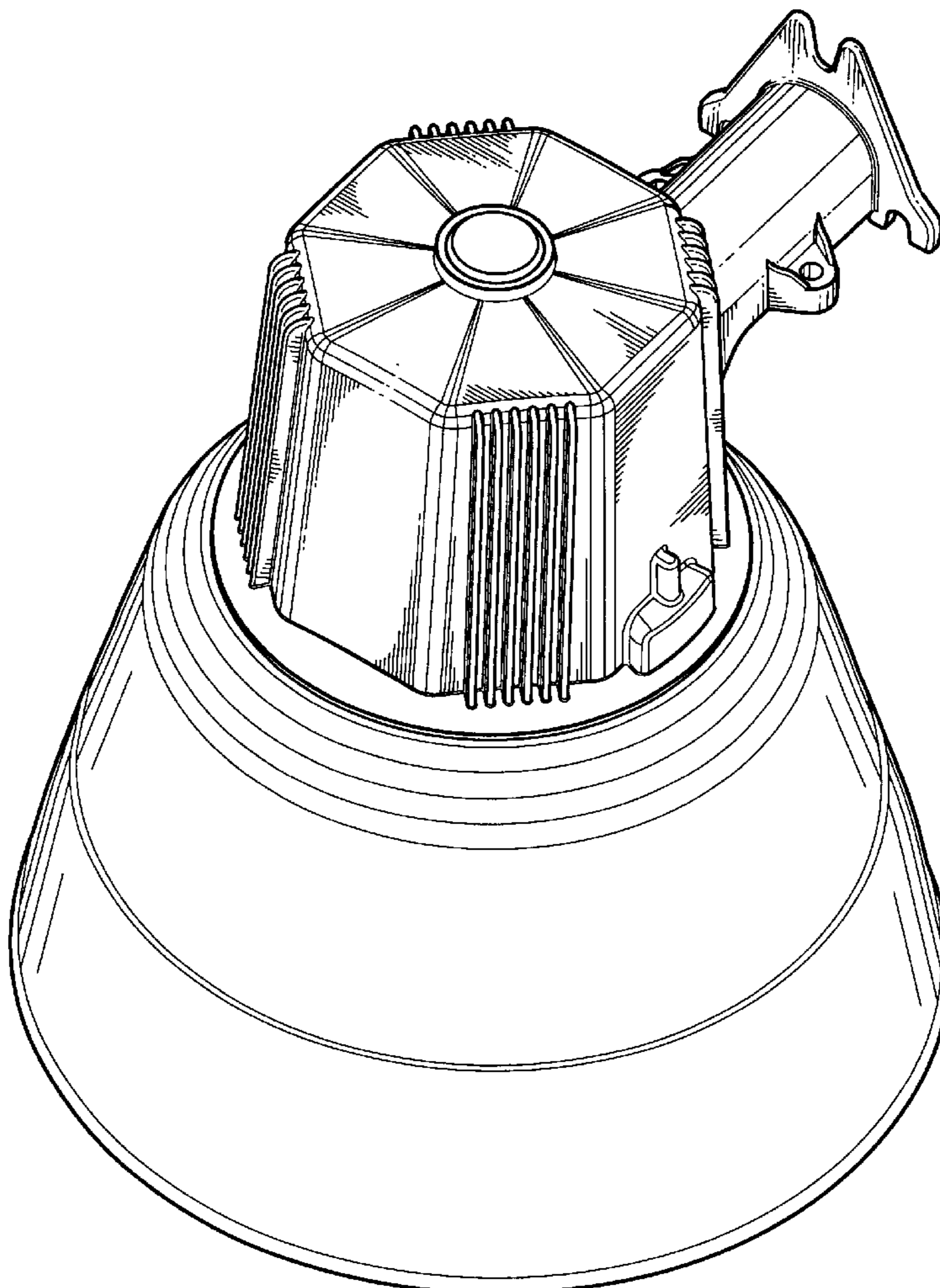
[56] **References Cited**

U.S. PATENT DOCUMENTS

D. 48,282	12/1915	McCall	D26/45
D. 278,084	3/1985	Parker	D26/45
D. 301,752	6/1989	Osterhout	D26/45
D. 311,778	10/1990	Dennis	D26/45
D. 342,582	12/1993	Young	D26/45

Primary Examiner—Marcus A. Jackson

1 Claim, 8 Drawing Sheets



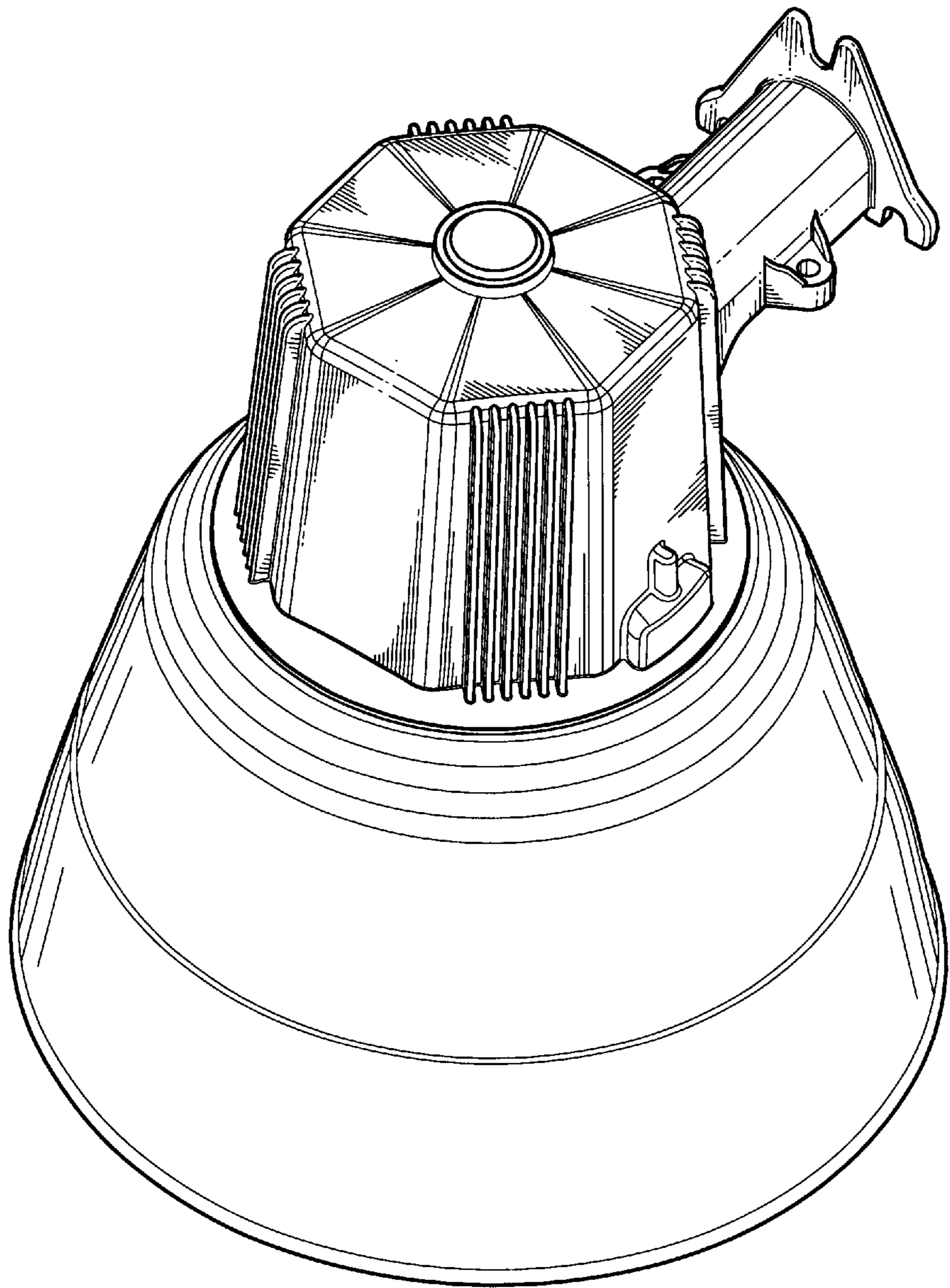


Fig. 1.

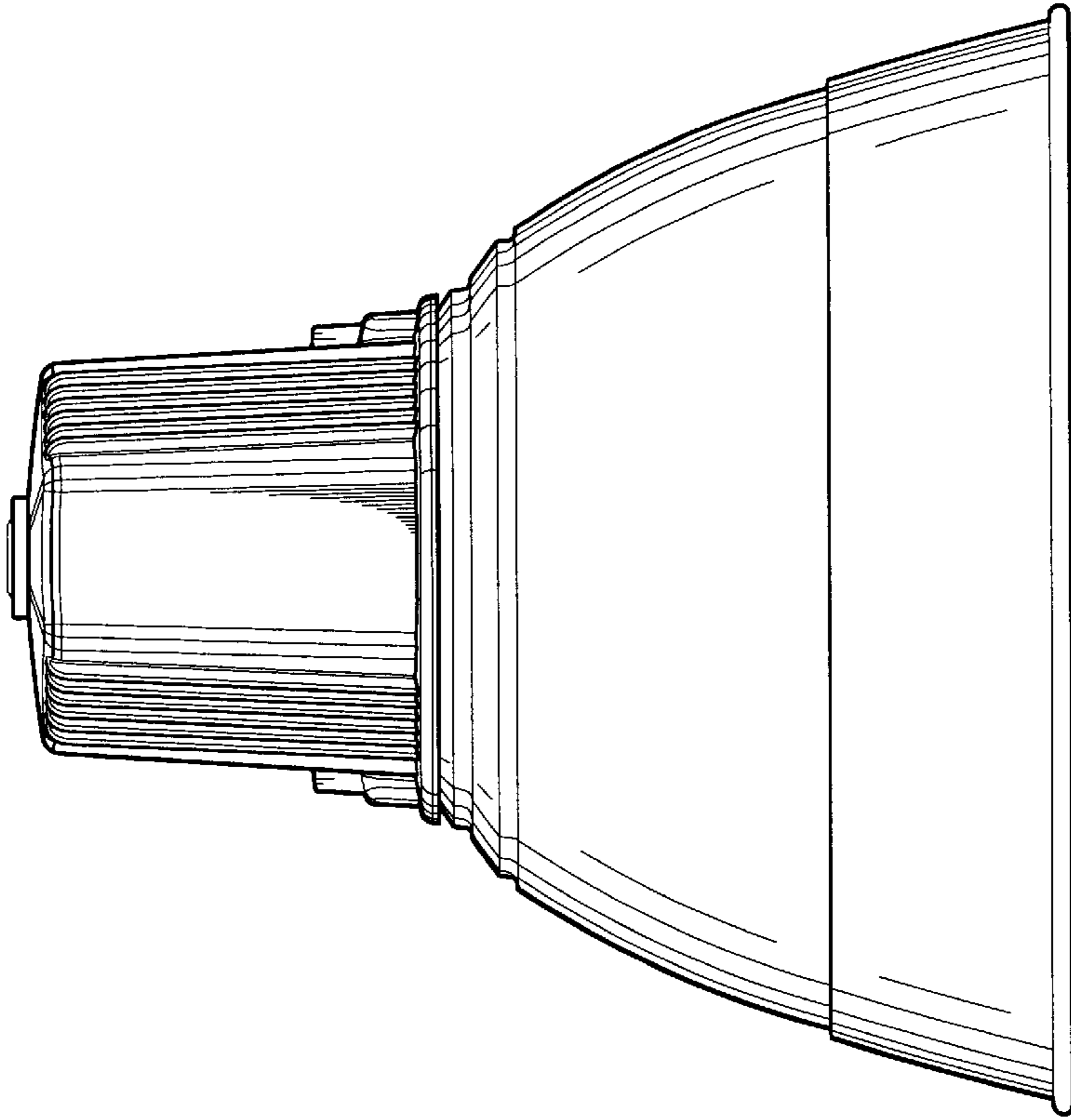


Fig. 3.

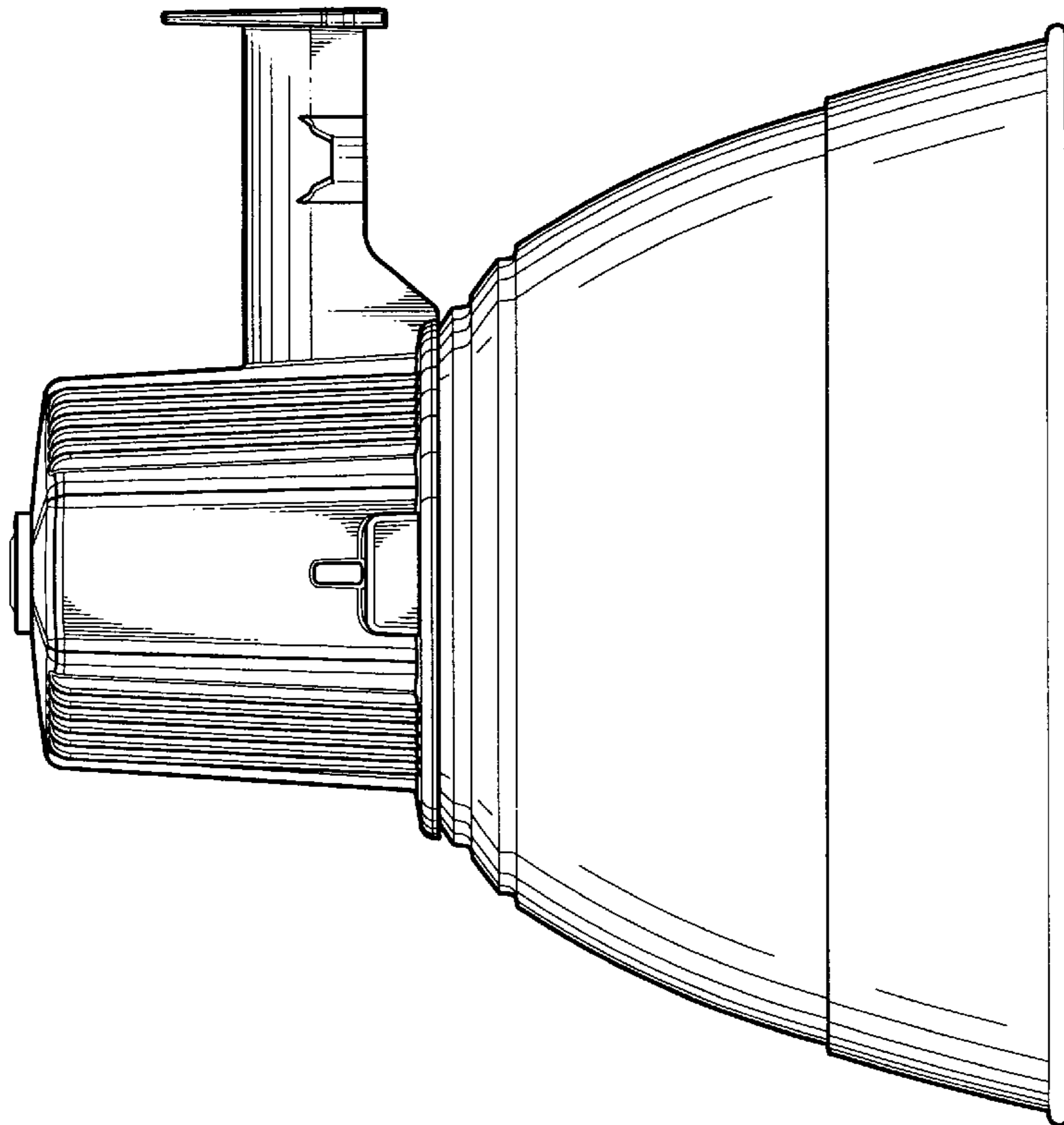


Fig. 2.

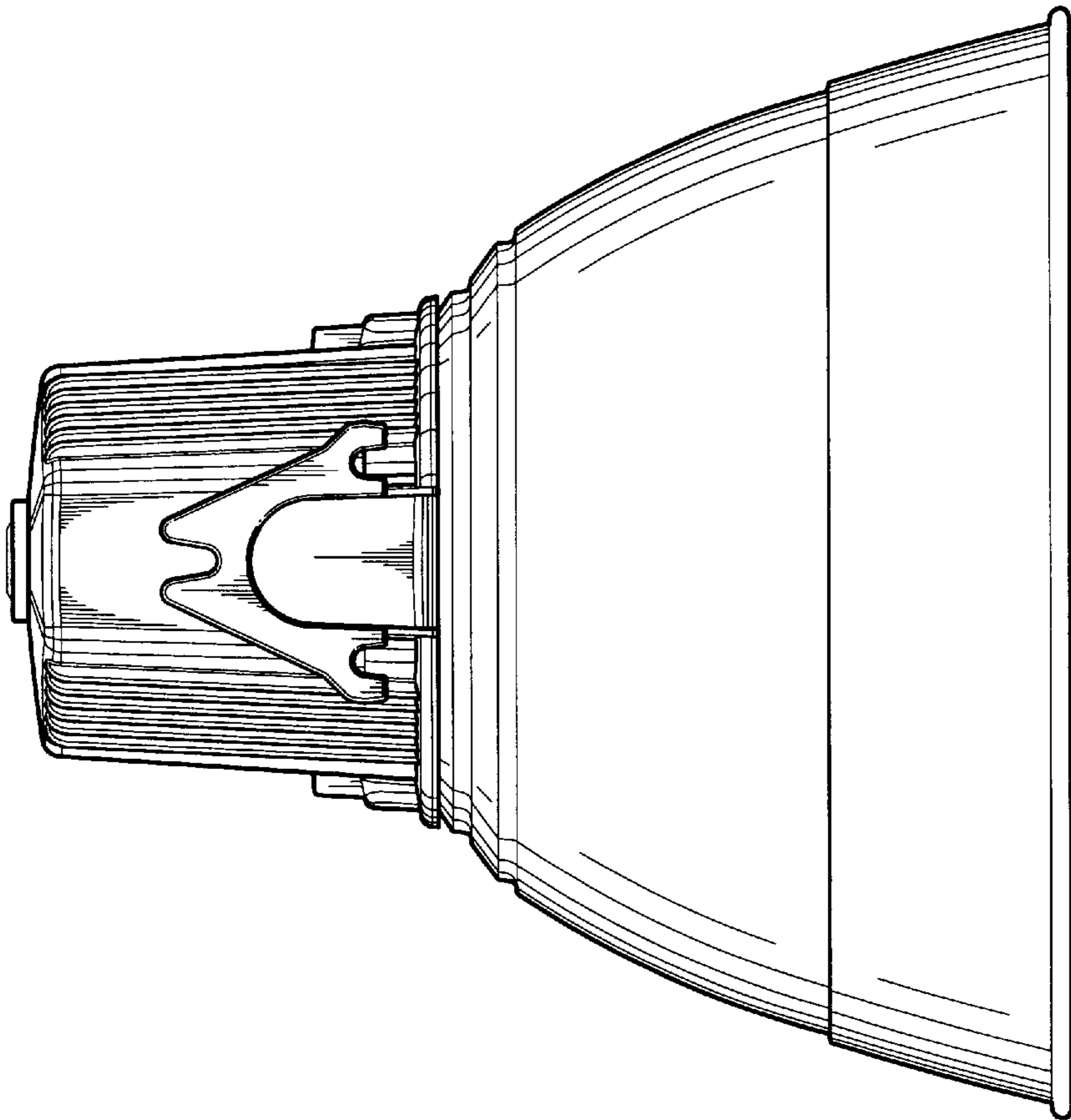


Fig. 4.

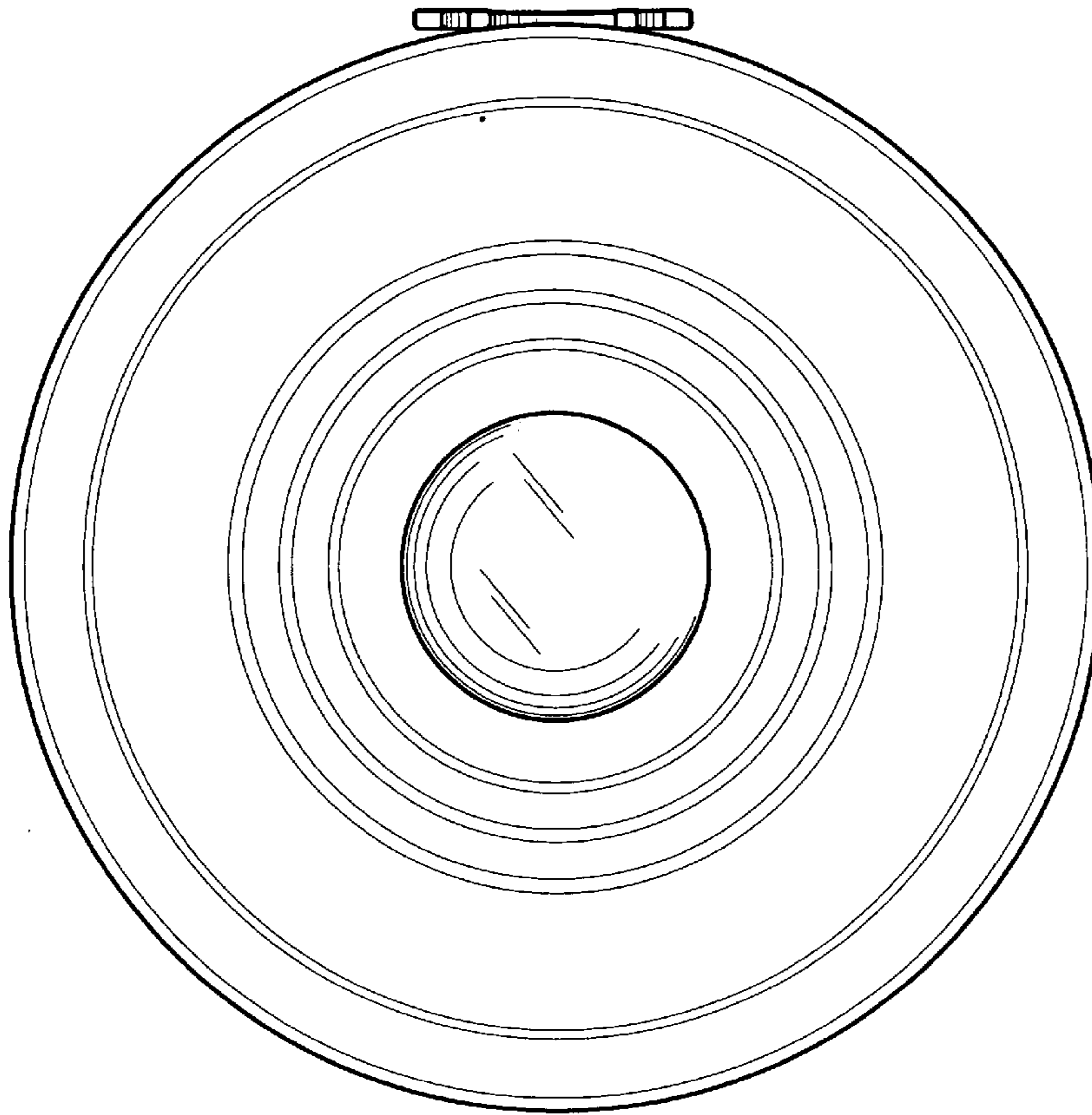


Fig. 6.

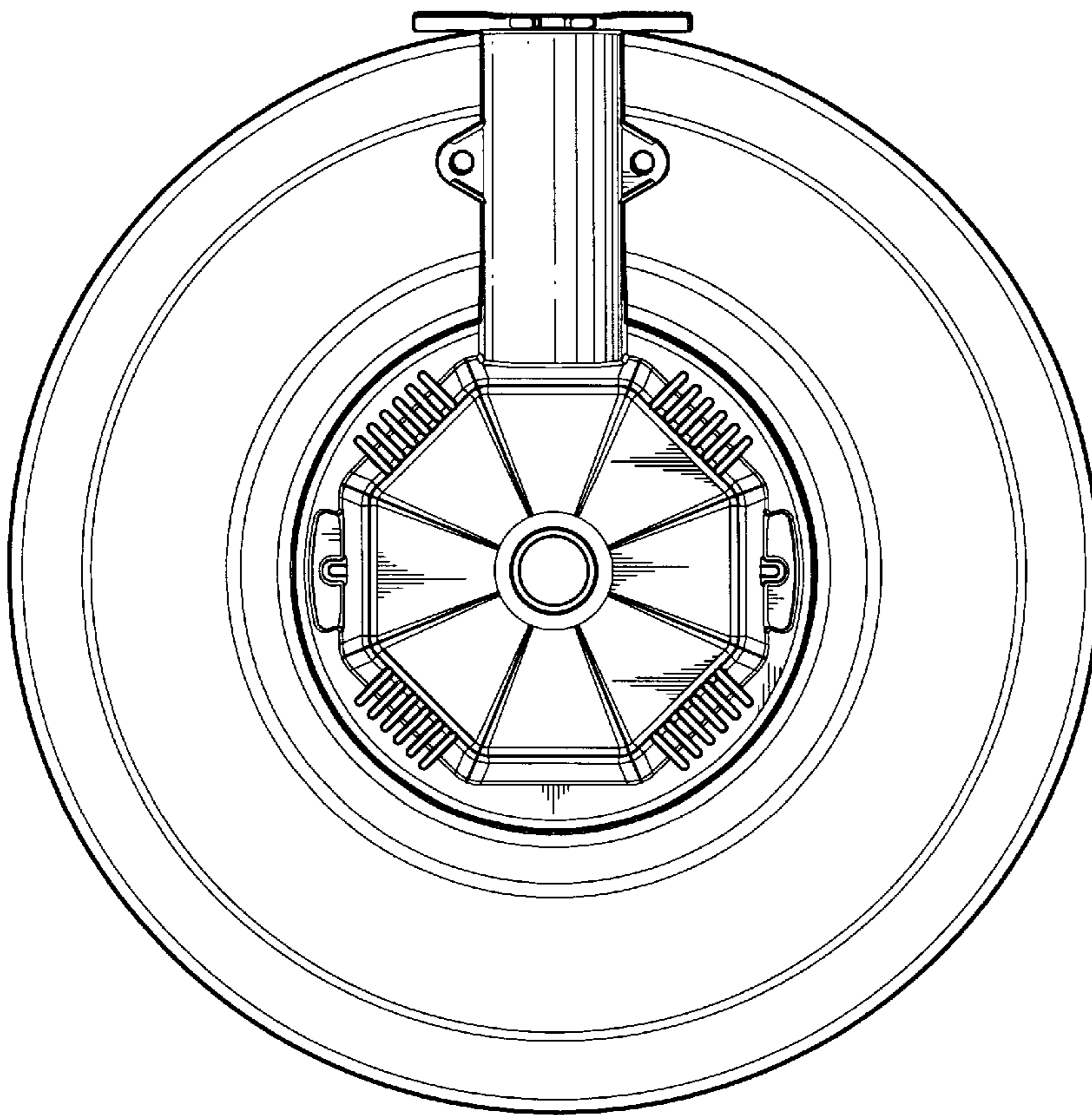


Fig. 5.

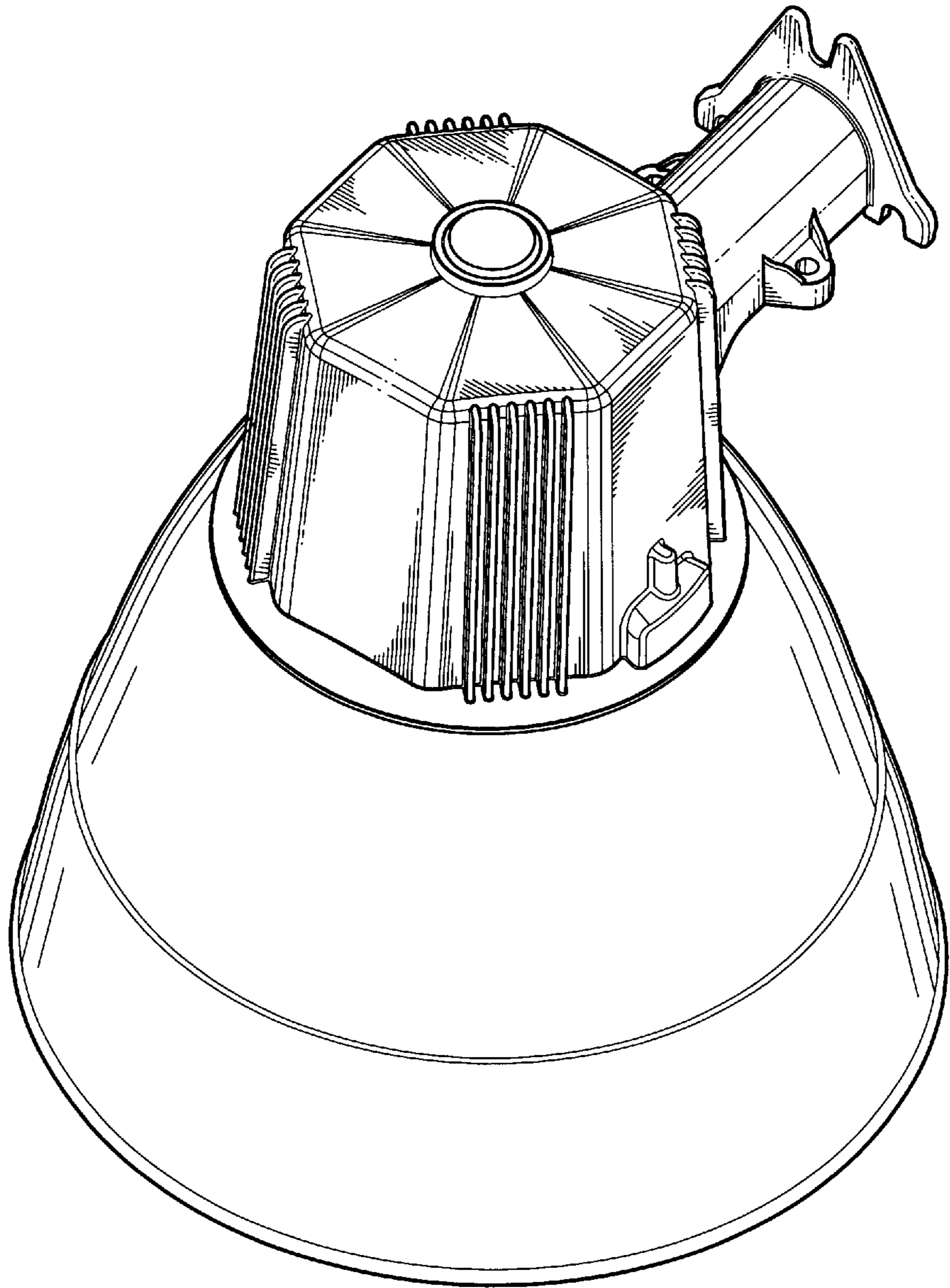


Fig. 7.

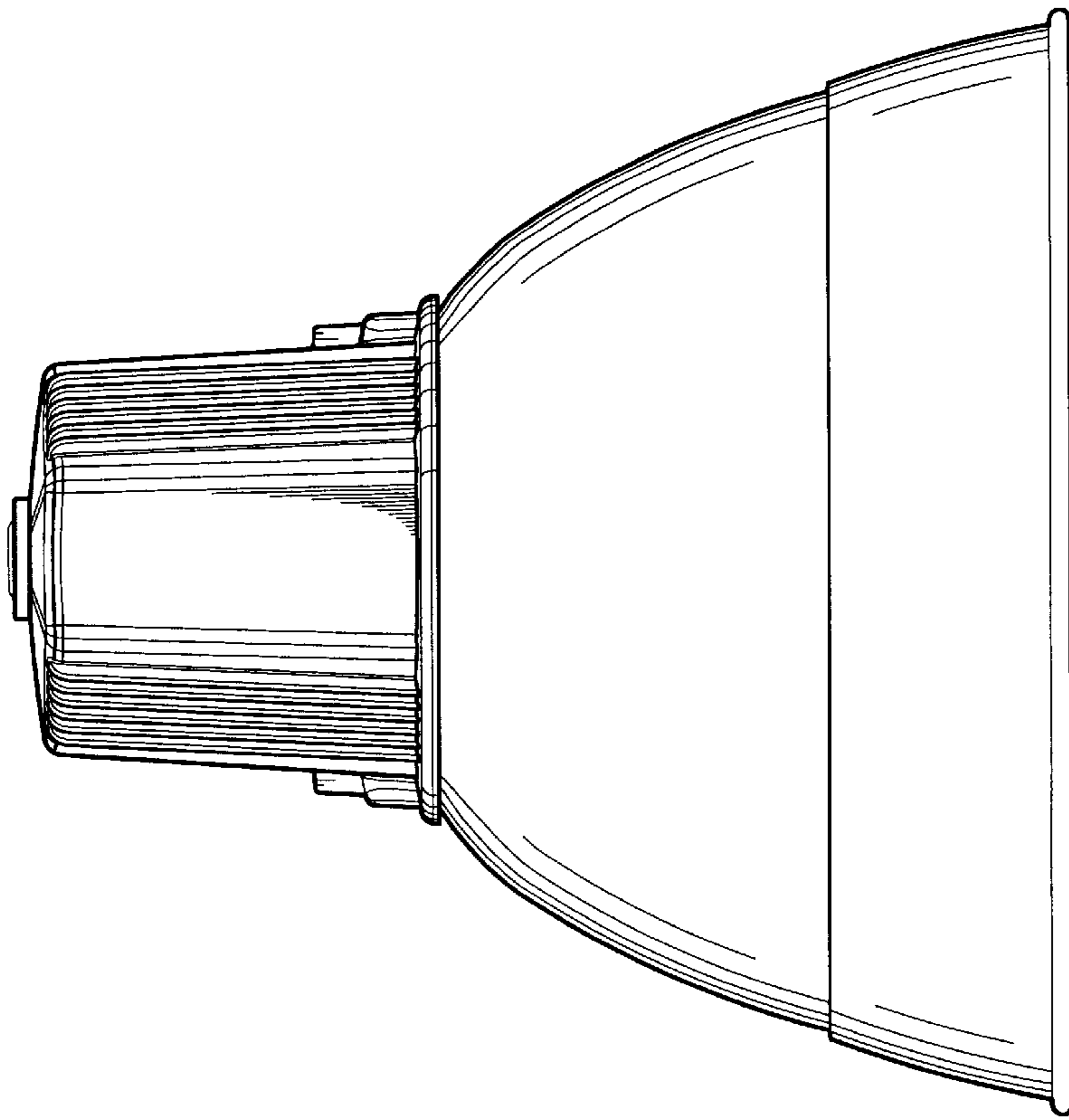


Fig. 9.

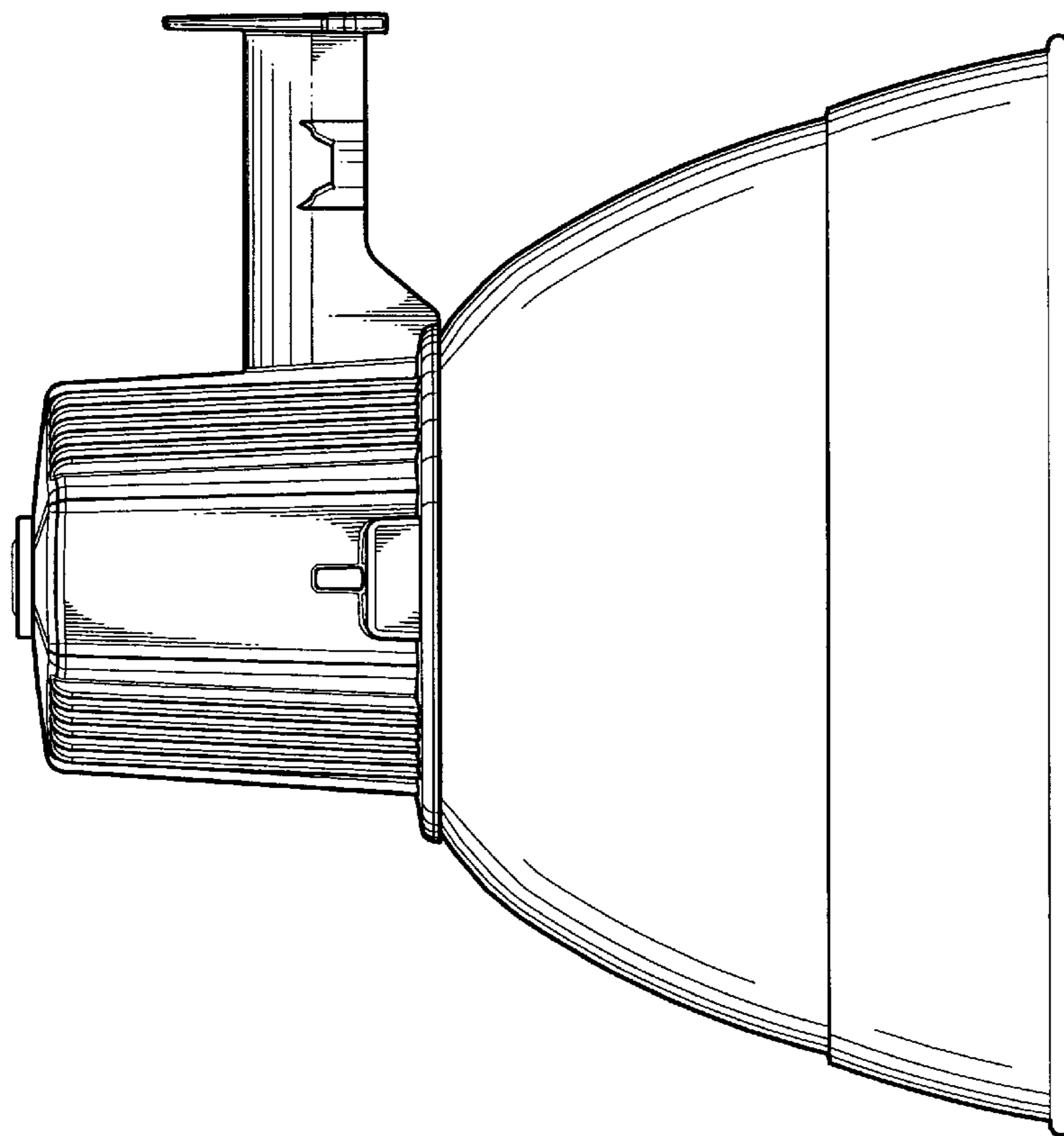


Fig. 8.

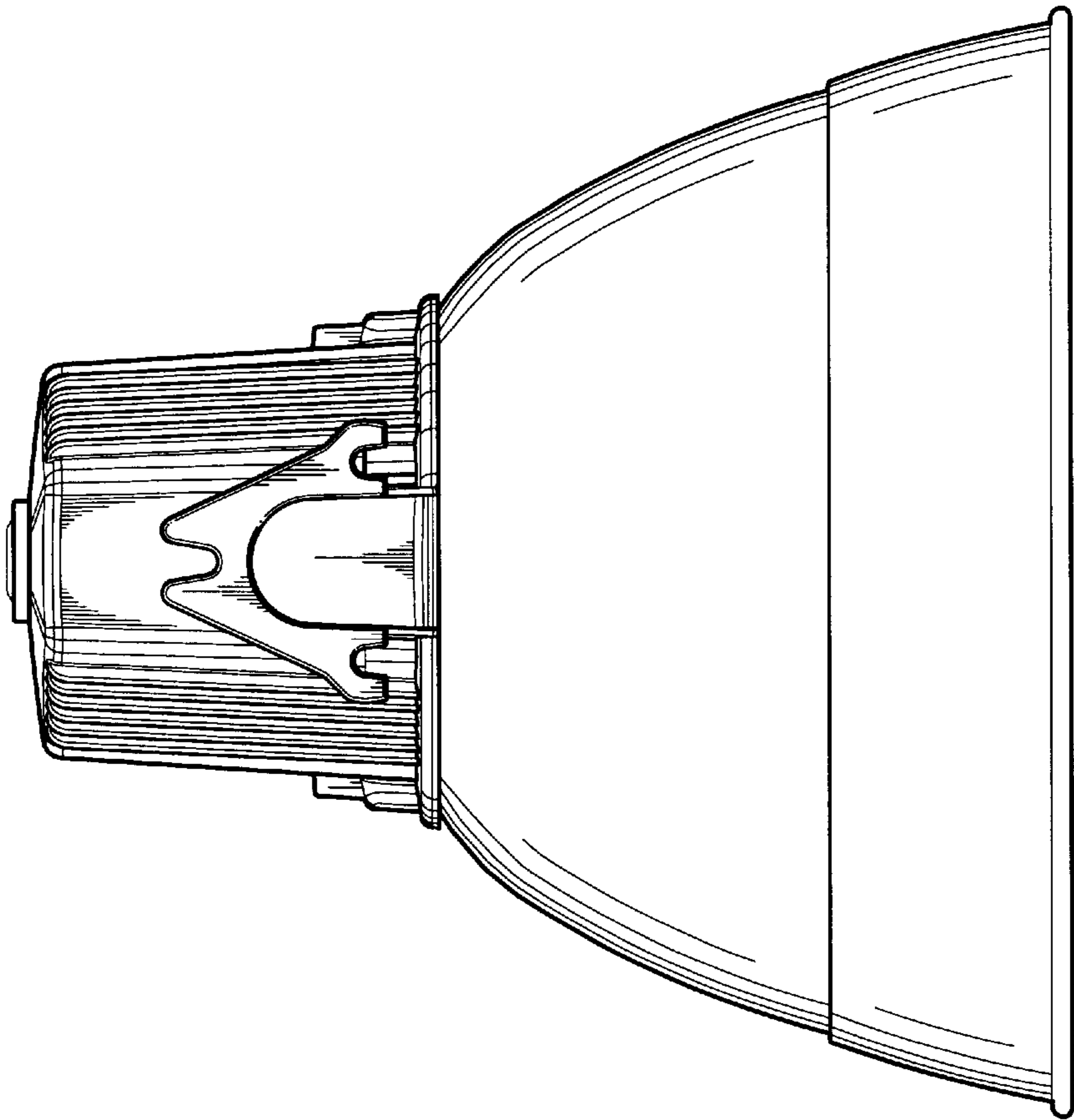


Fig. 10.

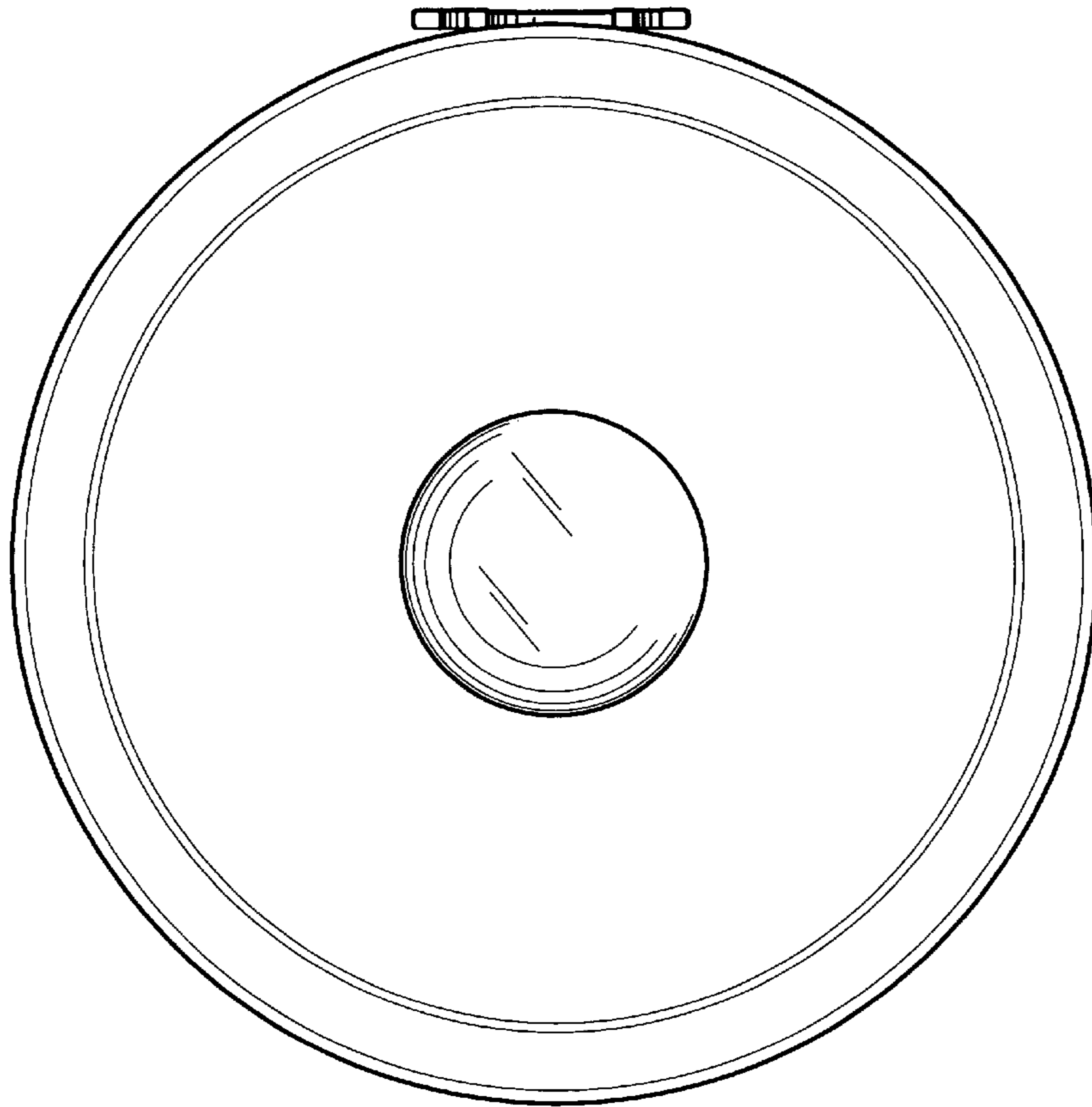


Fig. 12.

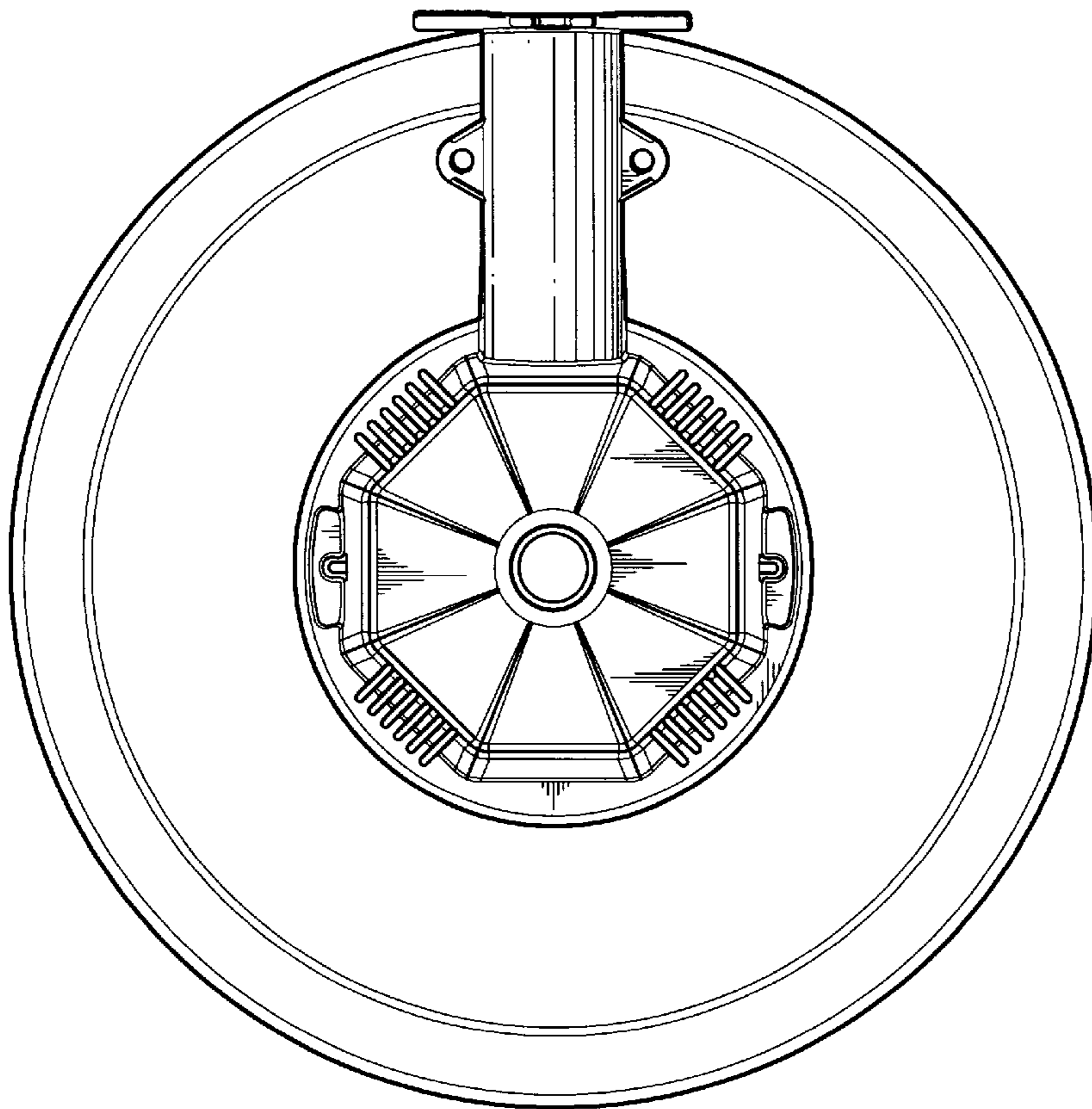


Fig. 11.