



US00D399016S

# United States Patent [19]

[11] Patent Number: Des. 399,016

Howard et al.

[45] Date of Patent: \*\*Sep. 29, 1998

[54] LANTERN

[75] Inventors: **John Donaldson Howard**, Brewster, N.Y.; **Gary Evan van Deursen**, Evergreen, Colo.

[73] Assignee: **The Coleman Company, Inc.**, Wichita, Kans.

[\*\*] Term: **14 Years**

[21] Appl. No.: **71,565**

[22] Filed: **Jun. 2, 1997**

[51] LOC (6) Cl. .... **26-02**

[52] U.S. Cl. .... **D26/42**

[58] Field of Search ..... D26/37-50; 362/157, 362/158, 183-208

### [56] References Cited

#### U.S. PATENT DOCUMENTS

D. 282,211	1/1986	Jang	.....	D26/42
D. 312,317	11/1990	Jang	.....	D26/42
D. 334,437	3/1993	Poon	.....	D26/42
D. 343,242	1/1994	Poon	.....	D26/42
D. 351,918	10/1994	Poon	.....	D26/42
D. 382,358	8/1997	Poon	.....	D26/42

*Primary Examiner*—Marcus A. Jackson

*Attorney, Agent, or Firm*—Fitzpatrick, Cella, Harper & Scinto

### [57] CLAIM

The ornamental design for a lantern, as shown and described.

### DESCRIPTION

FIG. 1 is a perspective view thereof with a body in a first position and a handle in a first position;

FIG. 2 is a front elevational view thereof with the body in the first position and the handle in the first position;

FIG. 3 is a left side elevational view thereof with the body in the first position and the handle in the first position;

FIG. 4 is a rear elevational view thereof with the body in the first position and the handle in the first position;

FIG. 5 is a right side elevational view thereof with the body in the first position and the handle in the first position;

FIG. 6 is a top plan view thereof with the body in the first position and the handle in the first position;

FIG. 7 is a bottom plan view thereof with the body in the first position and the handle in the first position;

FIG. 8 is a perspective view thereof with the body in a second position and the handle in the first position;

FIG. 9 is a front elevational view thereof with the body in the second position and the handle in the first position;

FIG. 10 is a left side elevational view thereof with the body in the second position and the handle in the first position;

FIG. 11 is a rear elevational view thereof with the body in the second position and the handle in the first position;

FIG. 12 is a right side elevational view thereof with the body in the second position and the handle in the first position;

FIG. 13 is a perspective view thereof with the body in the first position and the handle in a second position;

FIG. 14 is a top plan view thereof with the body in the first position and the handle in the second position;

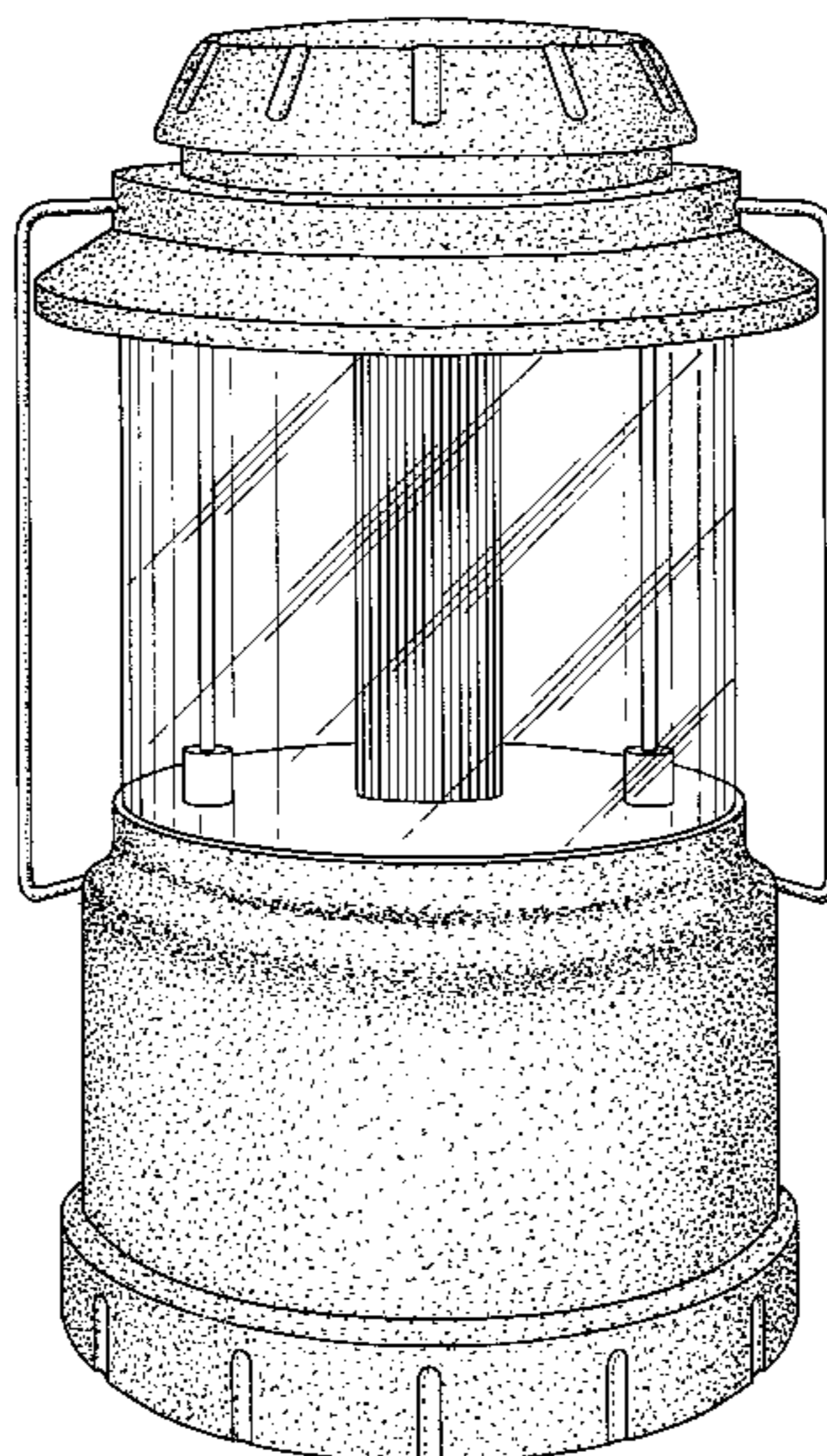
FIG. 15 is a perspective view thereof with the body in the second position and the handle in the second position; and,

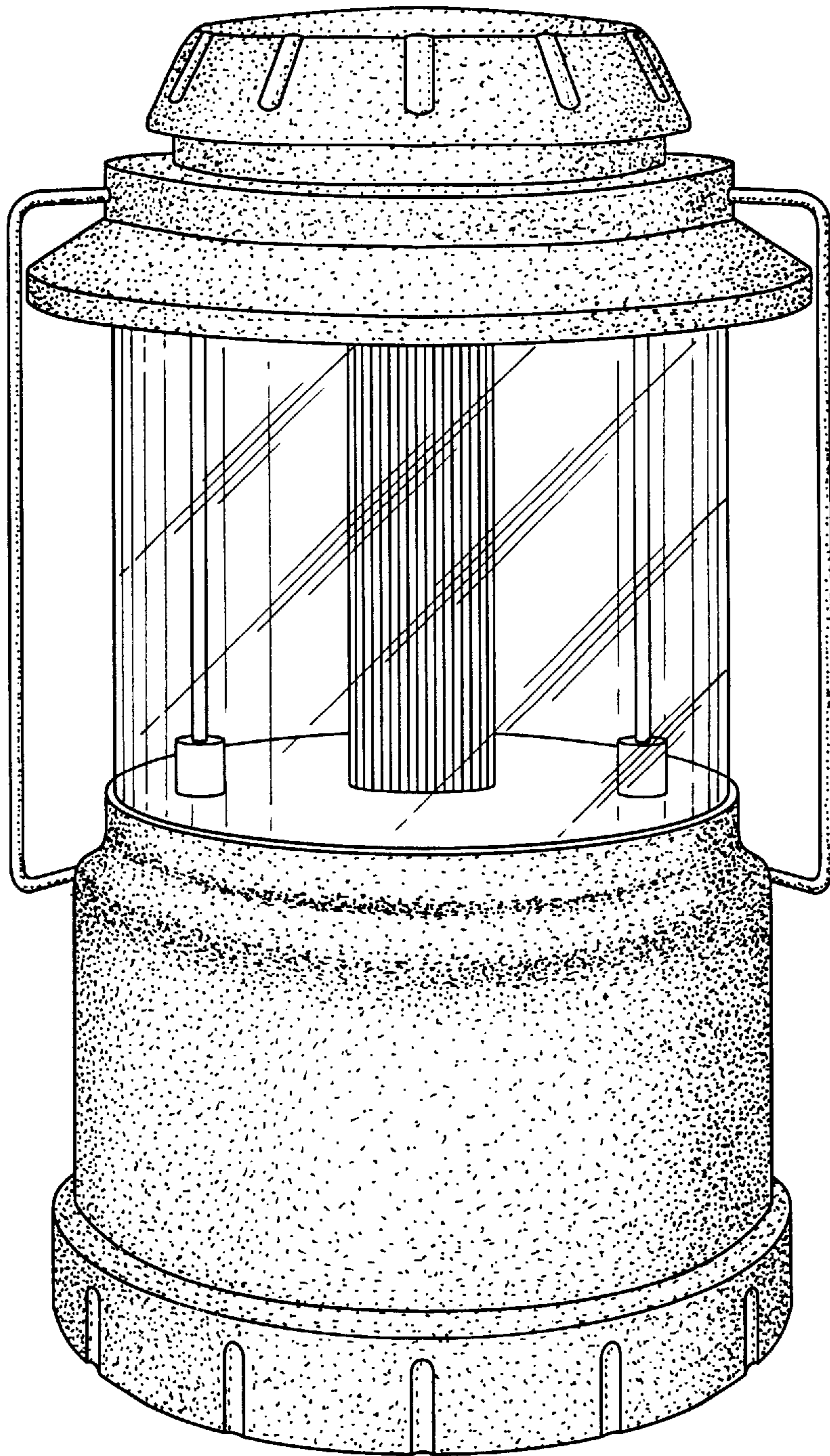
FIG. 16 is a top plan view thereof with the body in the second position and the handle in the second position.

The front elevational view, the back elevational view, the left side elevational view, the right elevational view, and the bottom plan view of the lantern with the body in the first position and the handle in the second position have been omitted because these views are readily apparent from FIGS. 13 and 14.

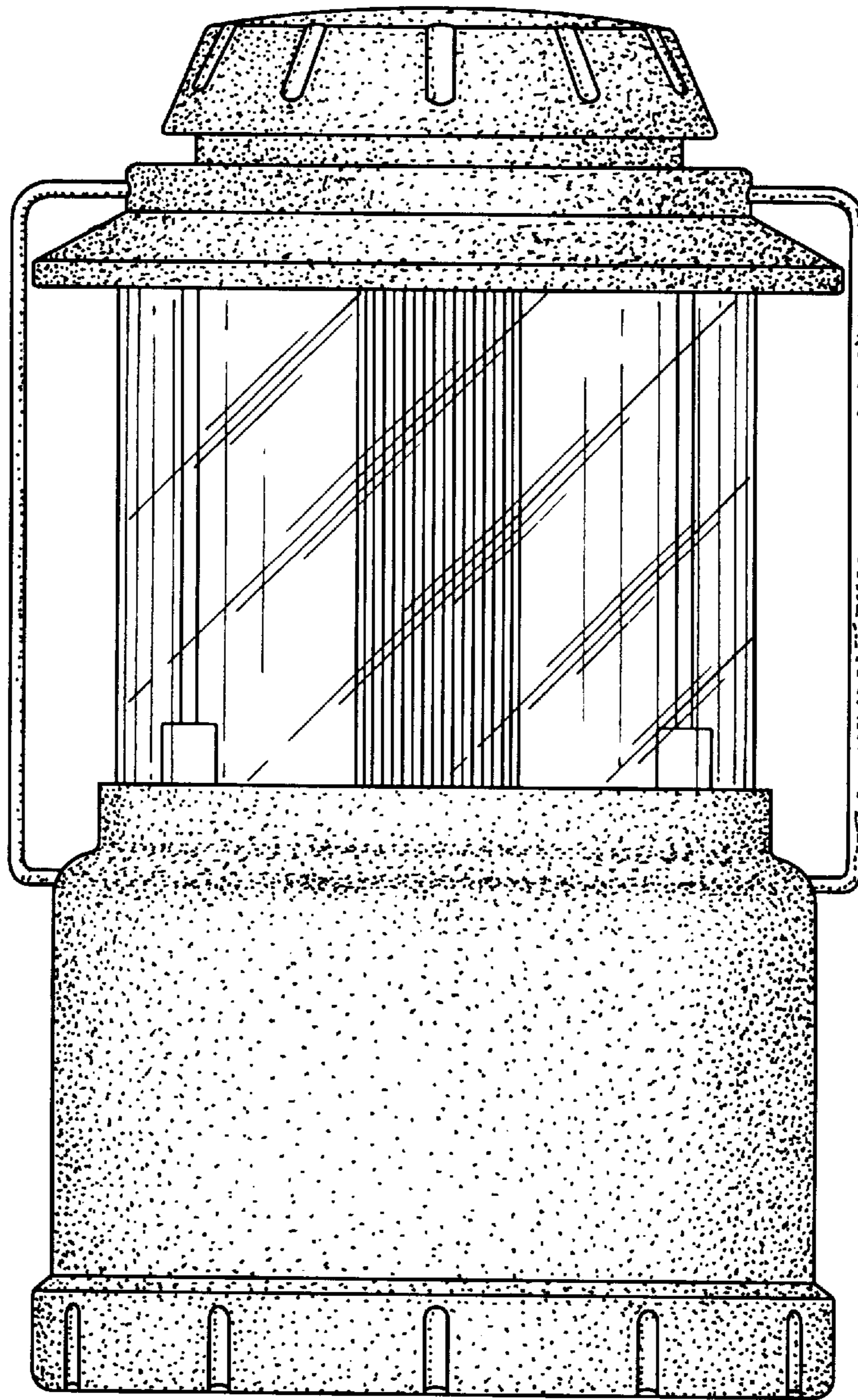
The front elevational view, the back elevational view, the left side elevational view, the right side elevational view, and the bottom plan view of the lantern with the body in the second position and the handle in the second position have been omitted because these views are readily apparent from FIGS. 15 and 16.

**1 Claim, 16 Drawing Sheets**

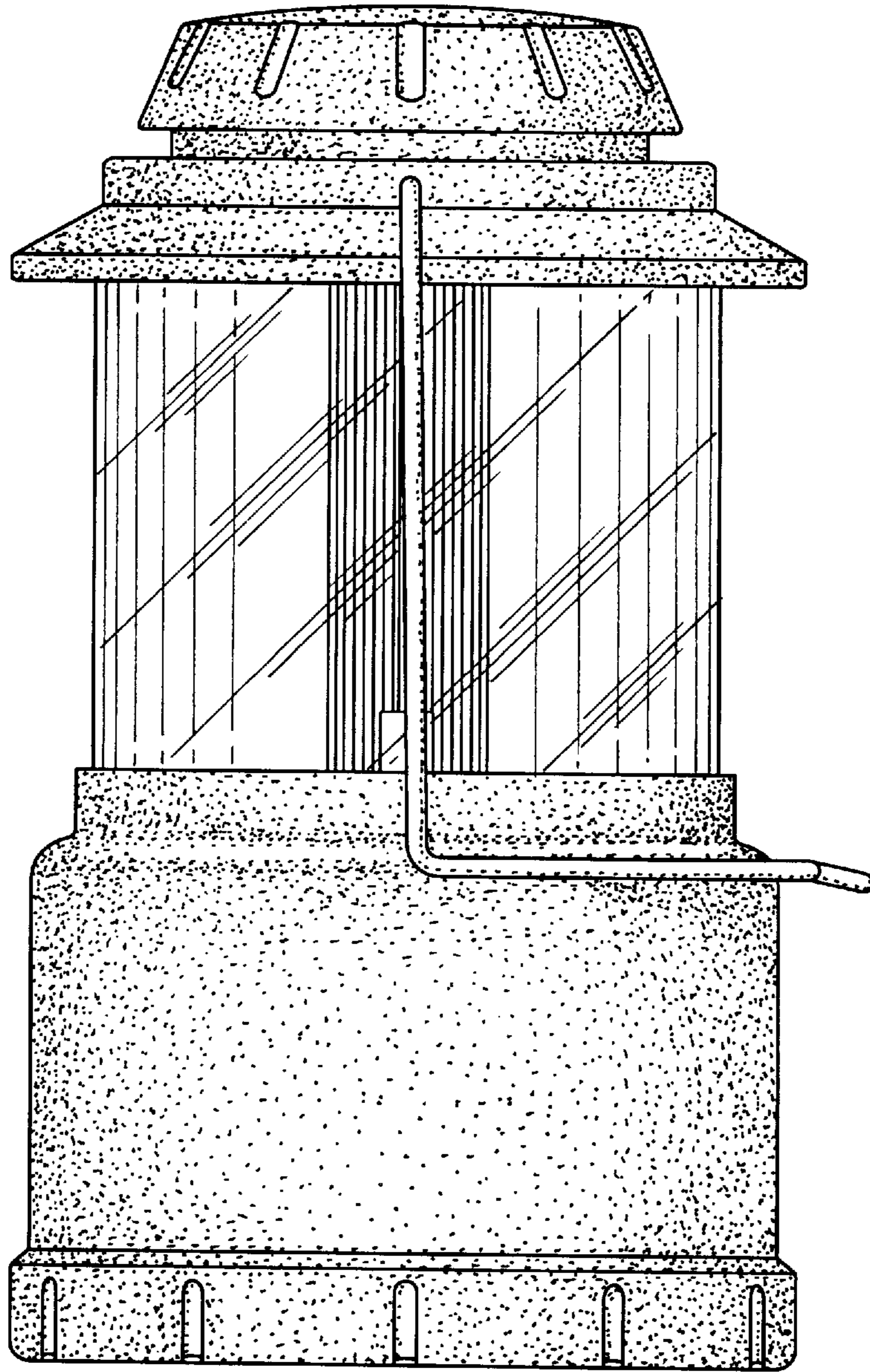




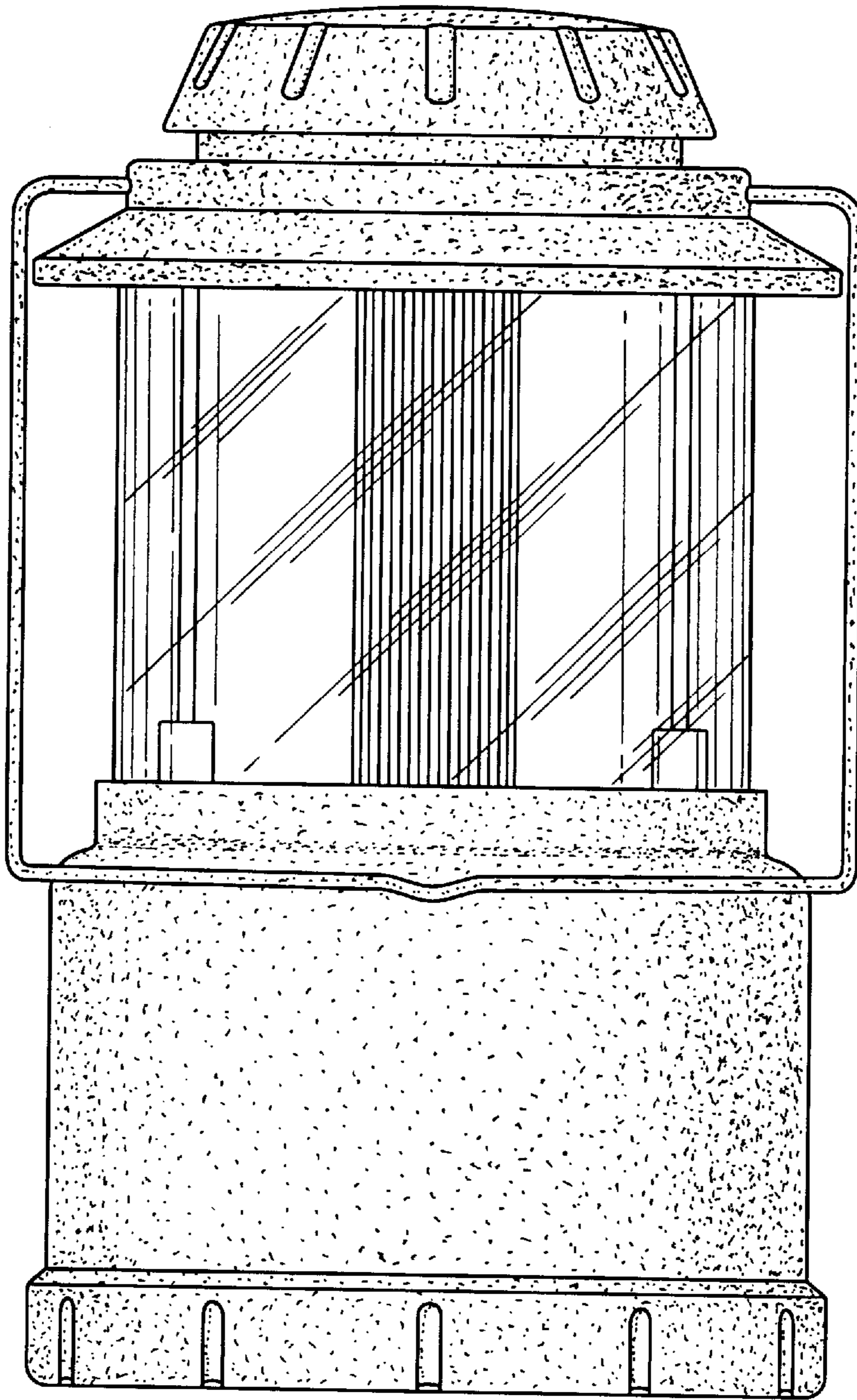
**FIG. 1**



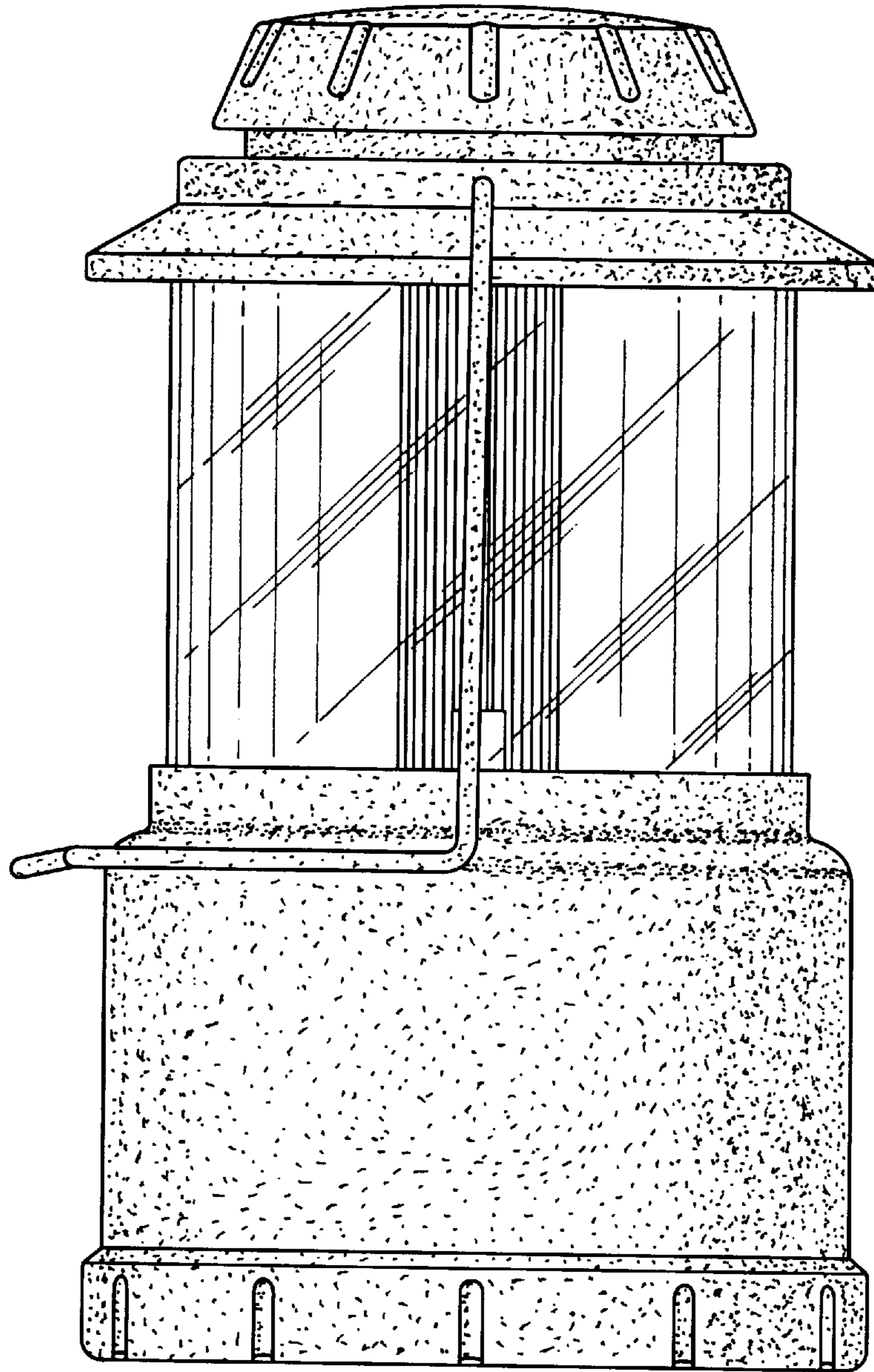
**FIG. 2**



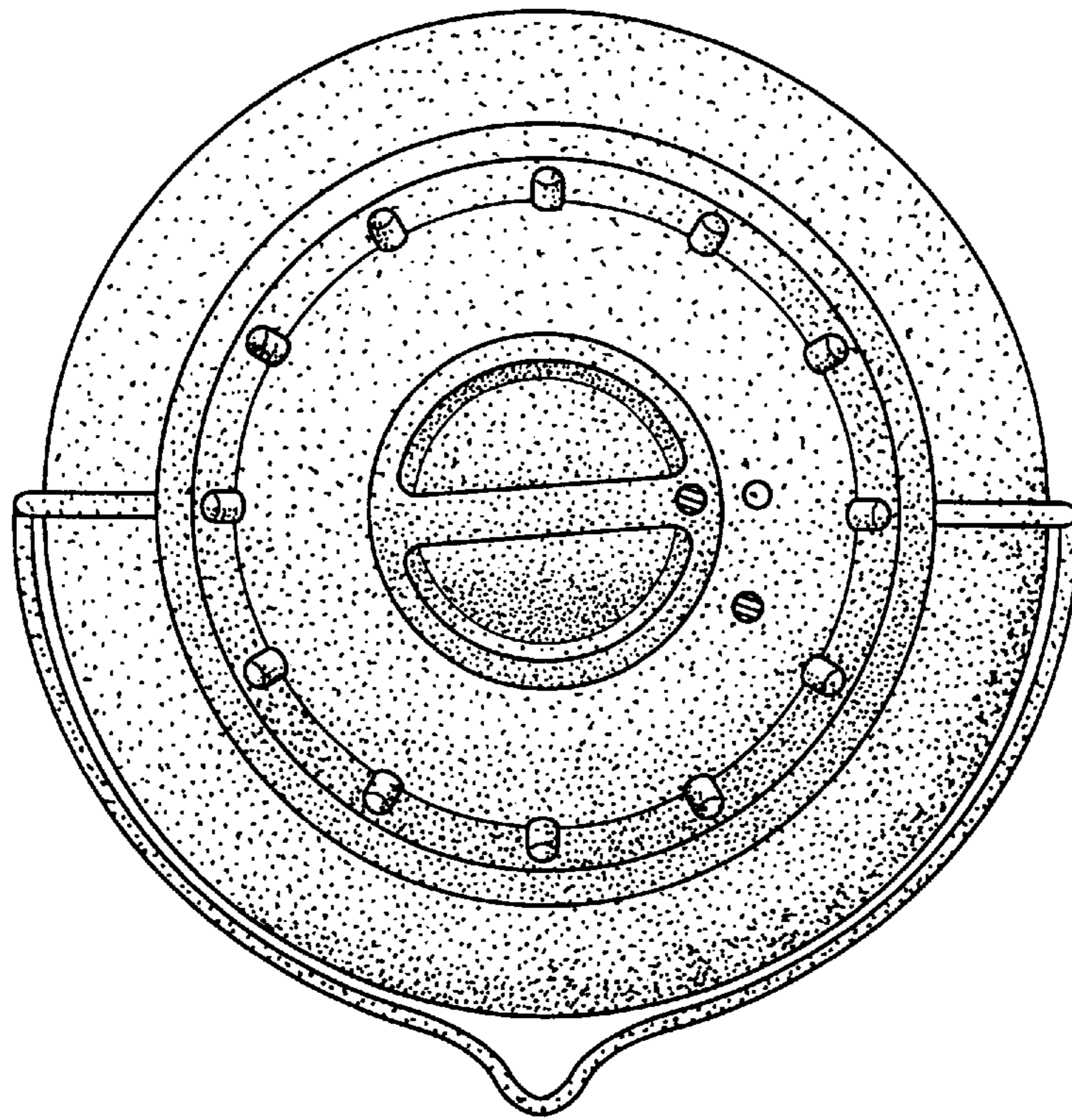
**FIG. 3**



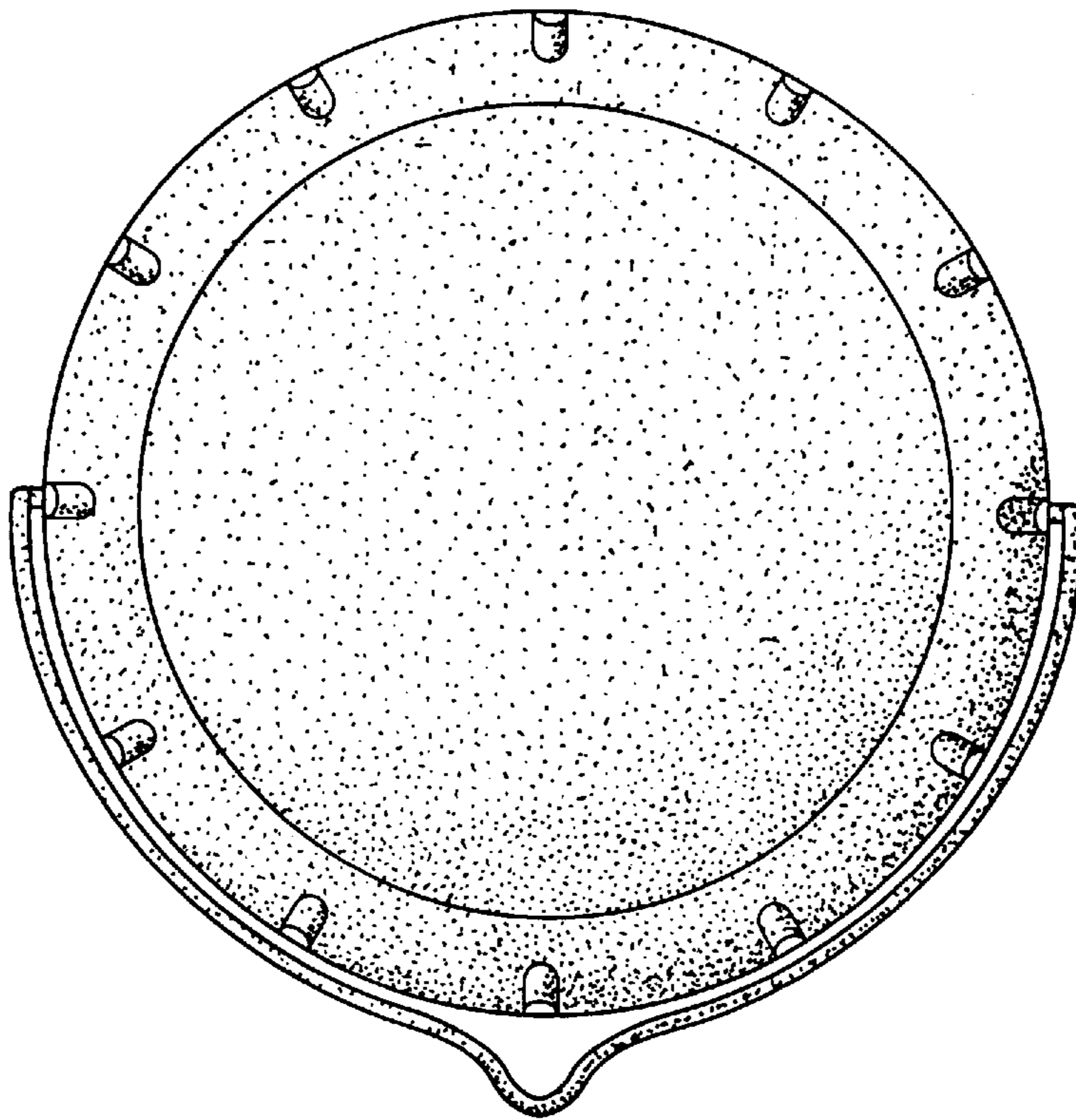
**FIG. 4**



**FIG. 5**

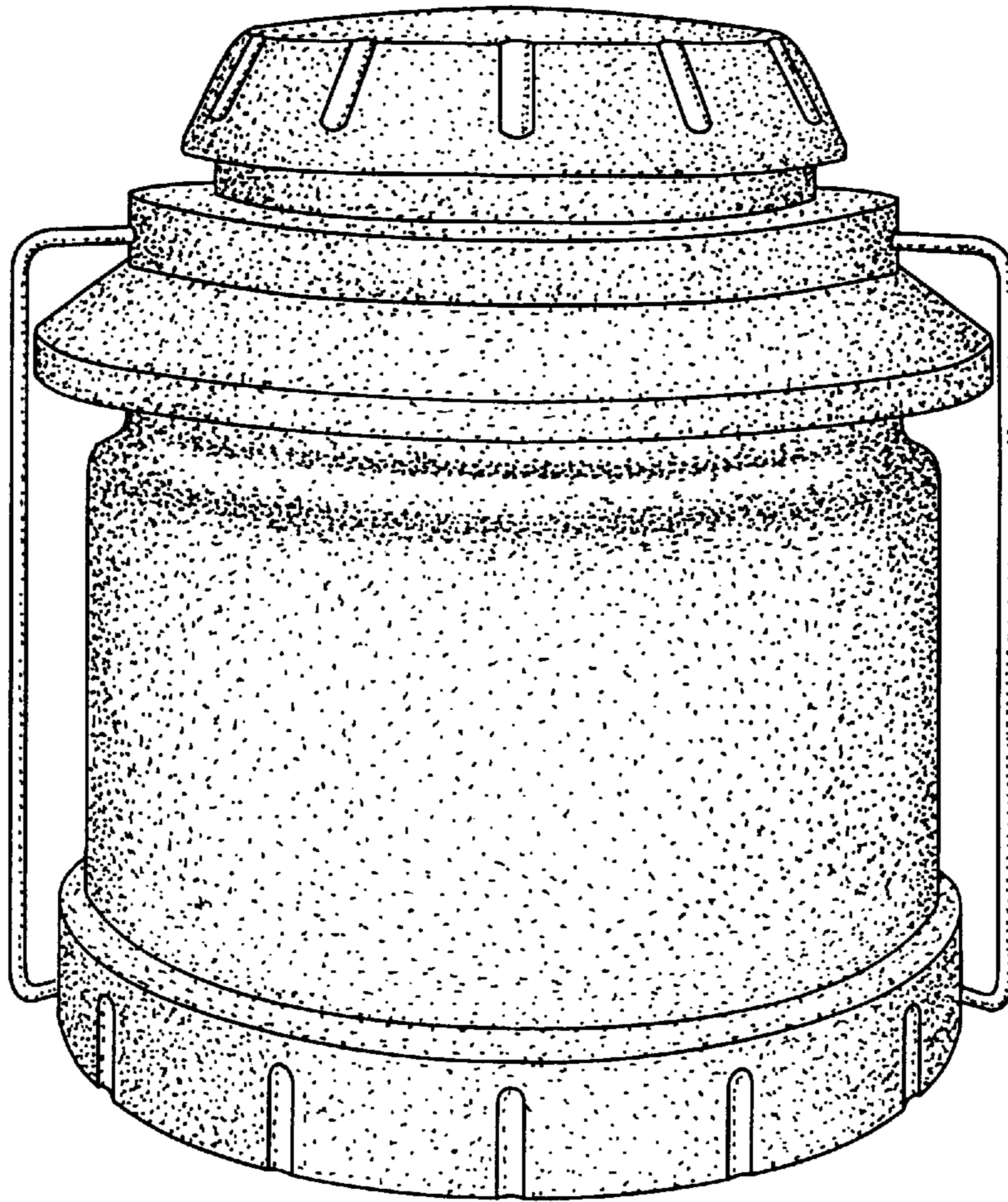


**FIG. 6**

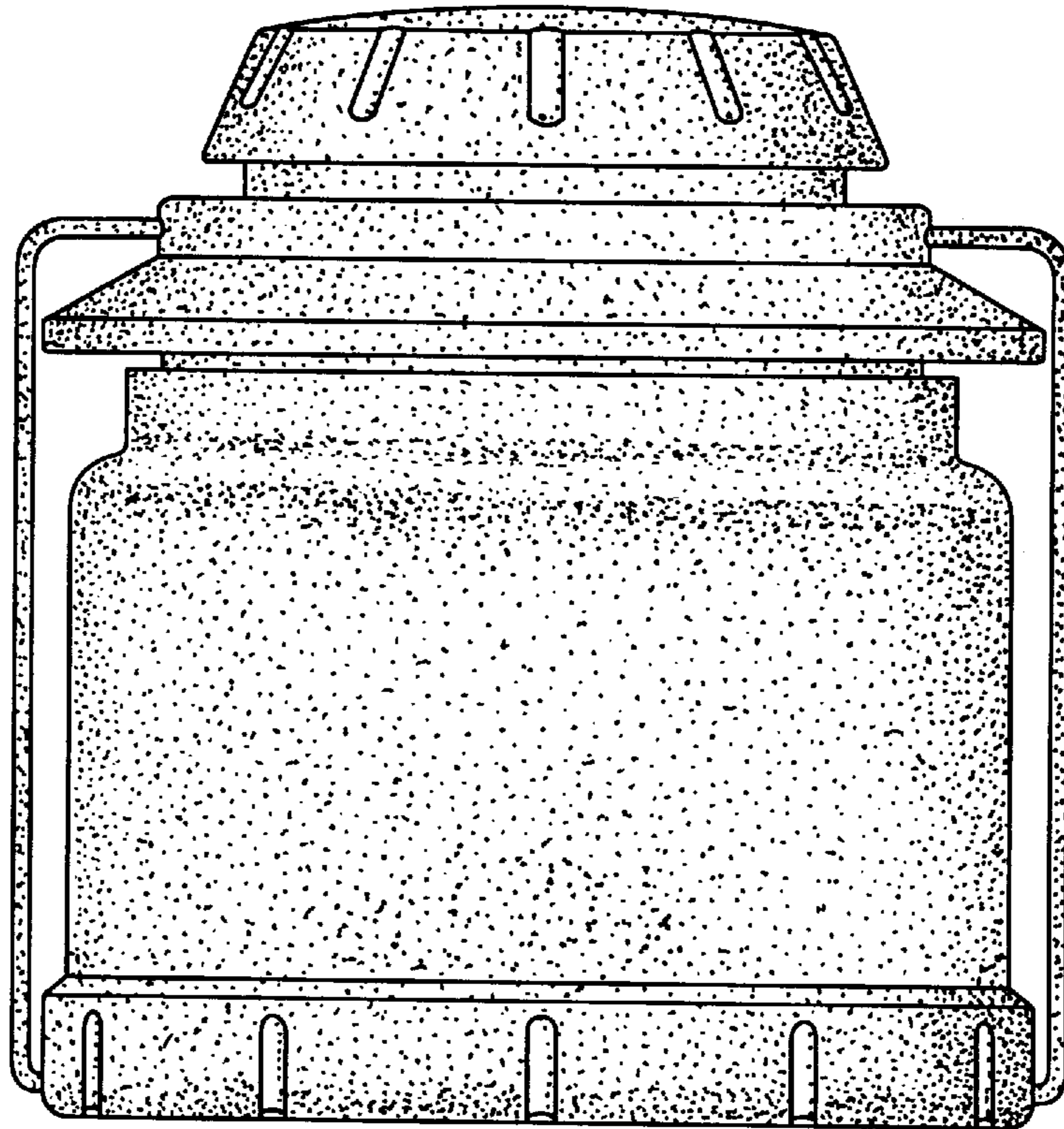


**FIG. 7**

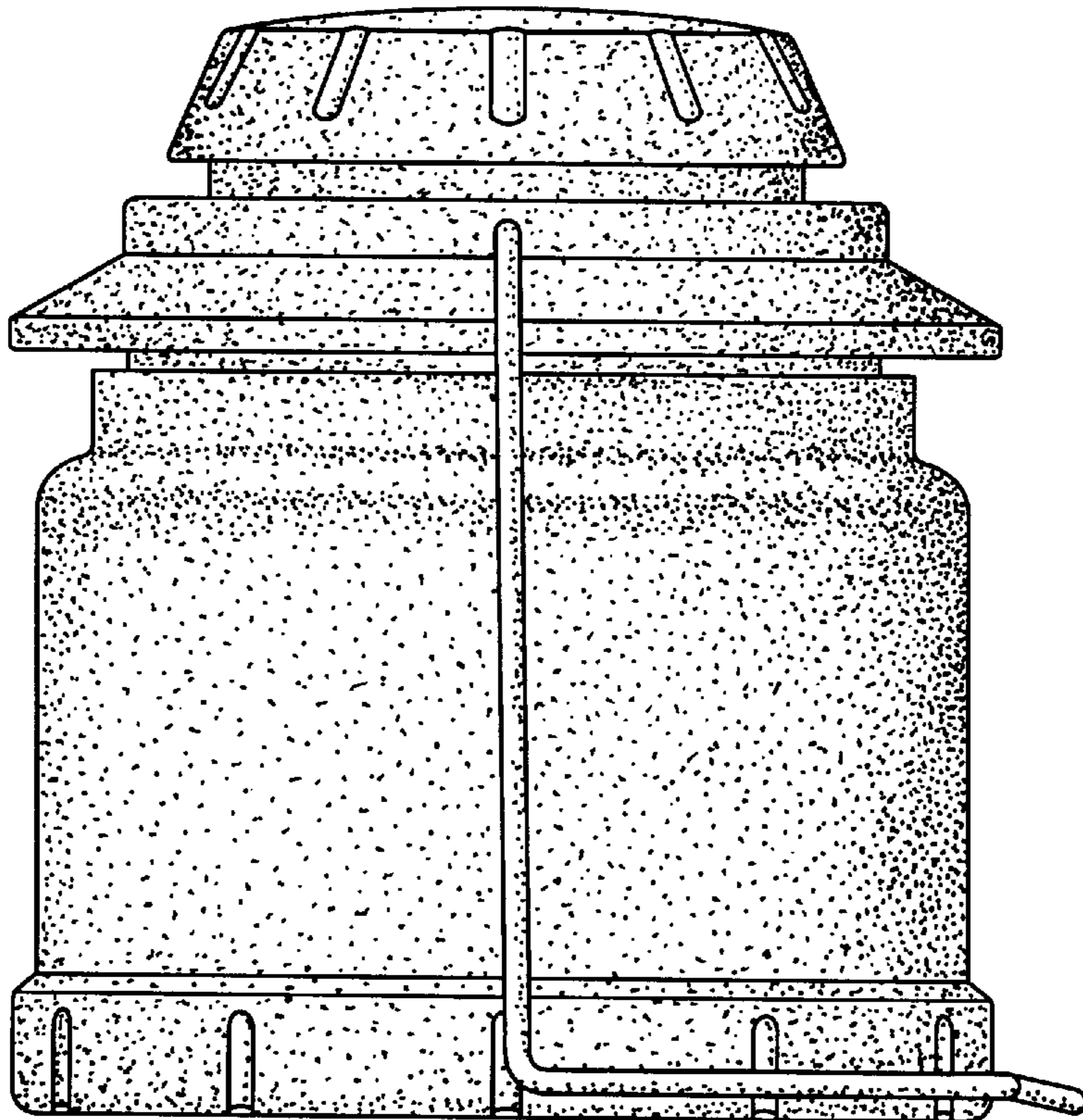




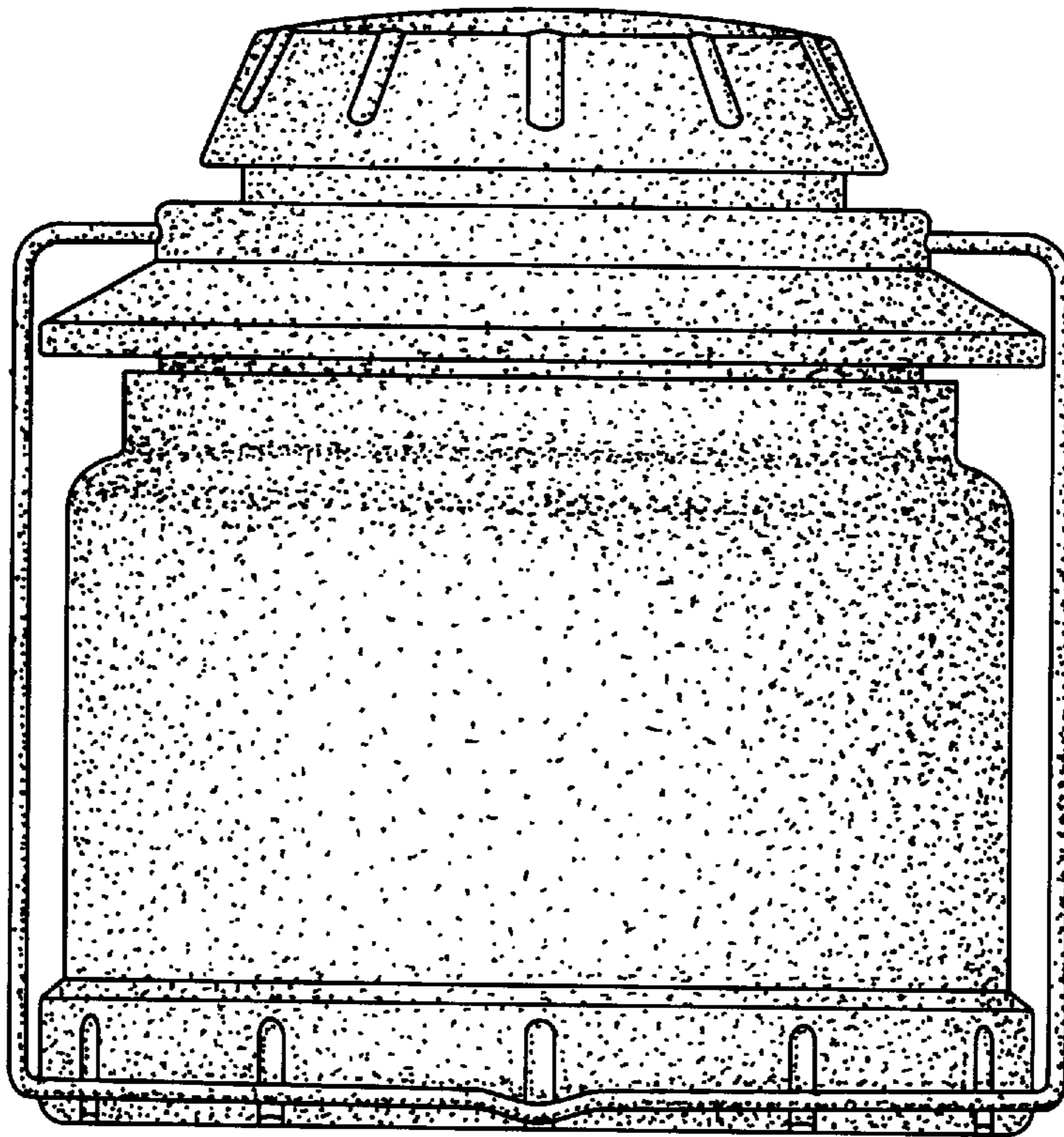
**FIG. 8**



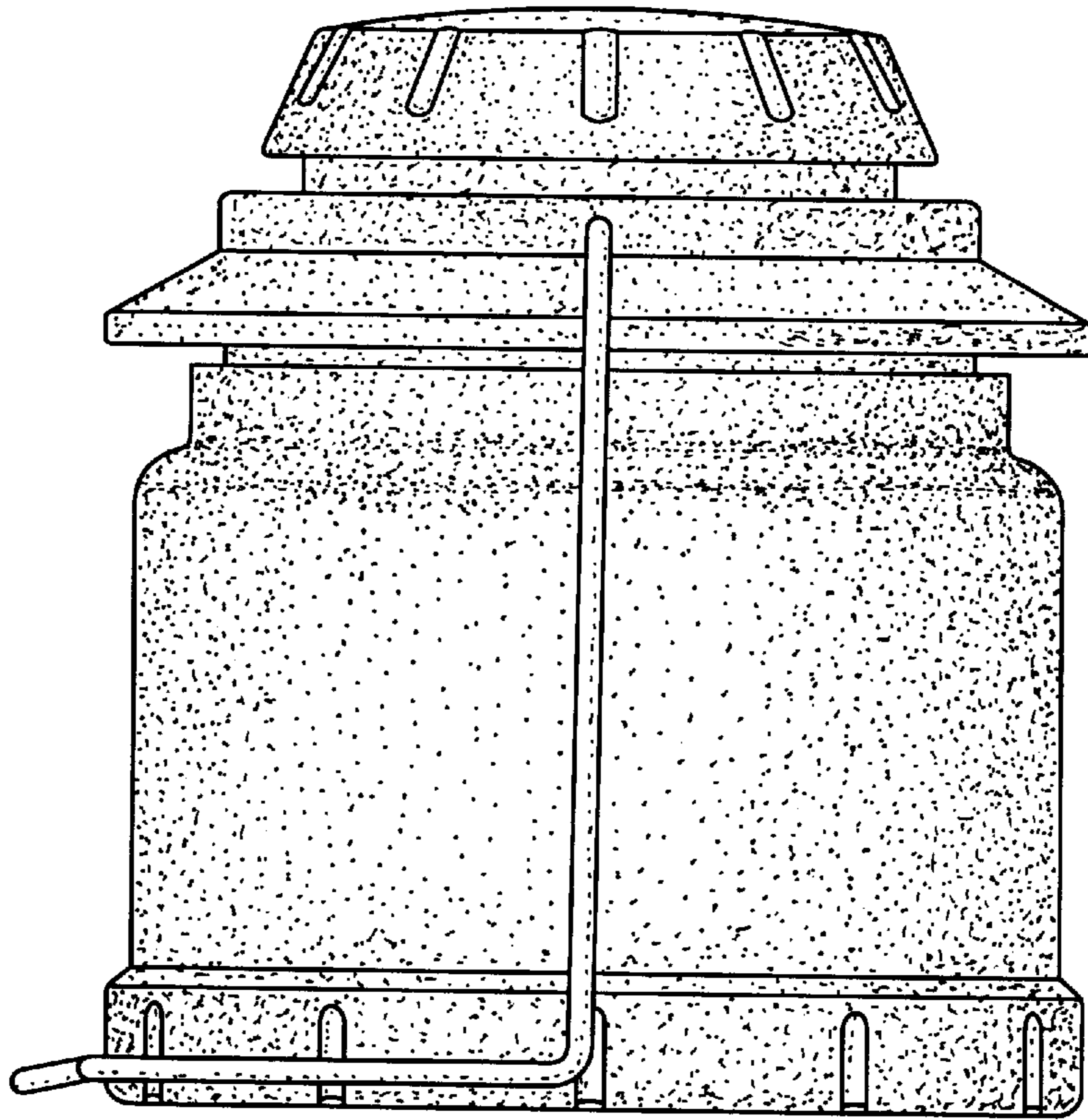
**FIG. 9**



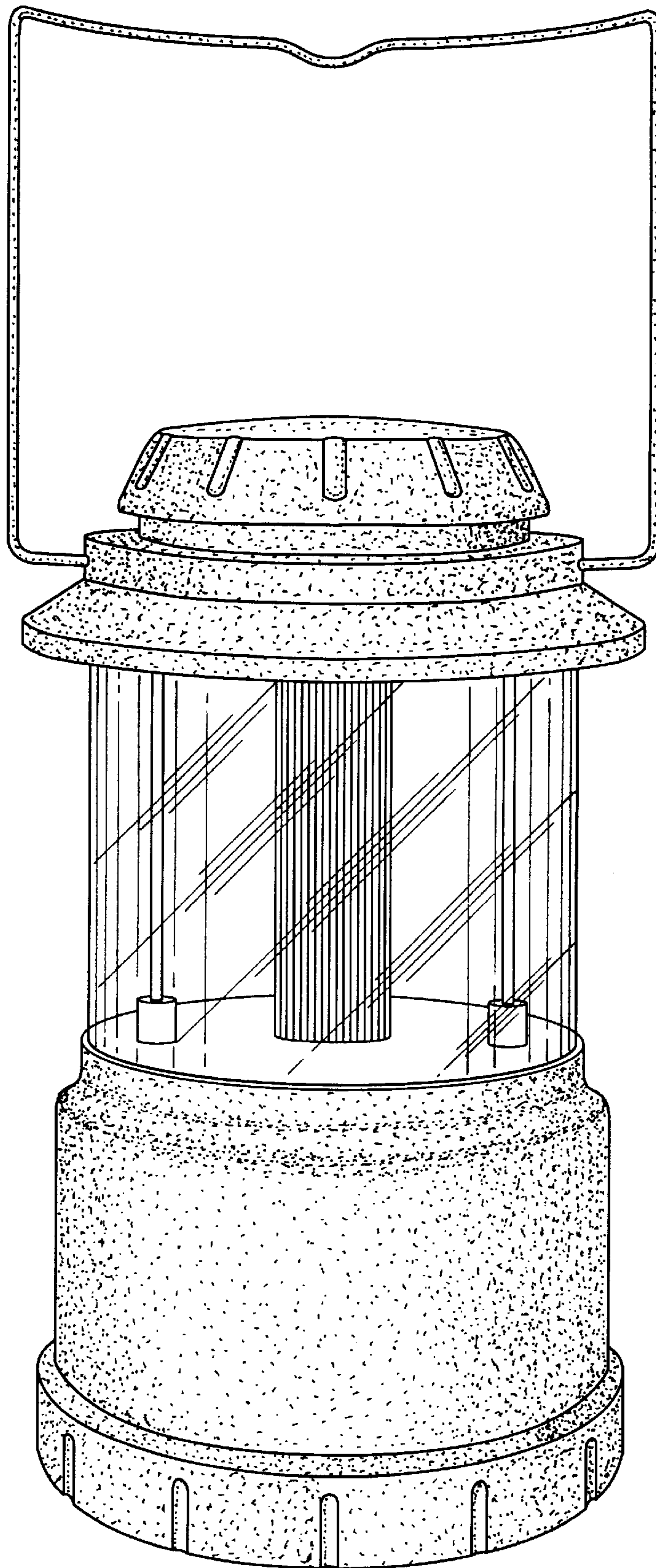
**FIG. 10**



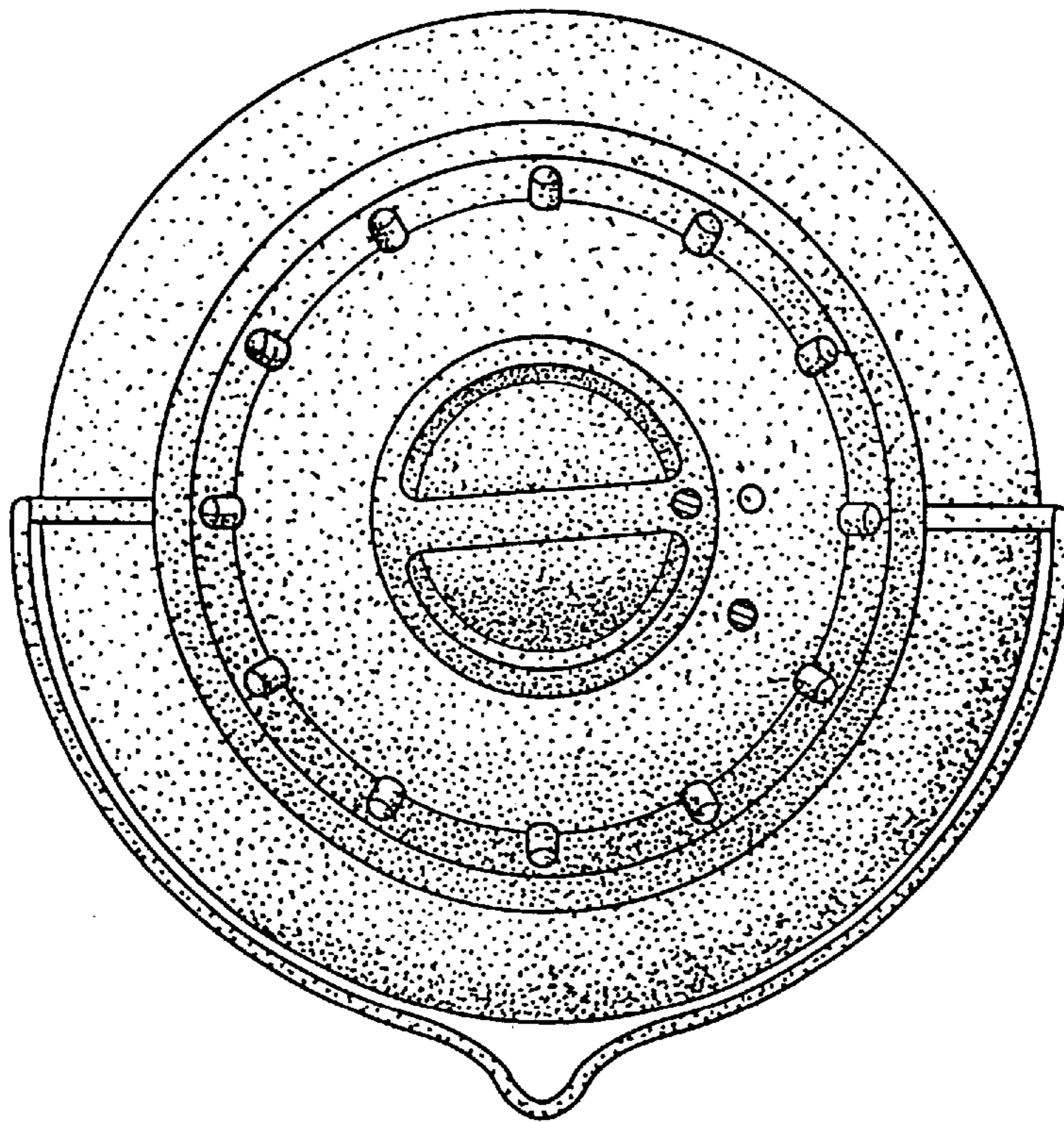
**FIG. 11**



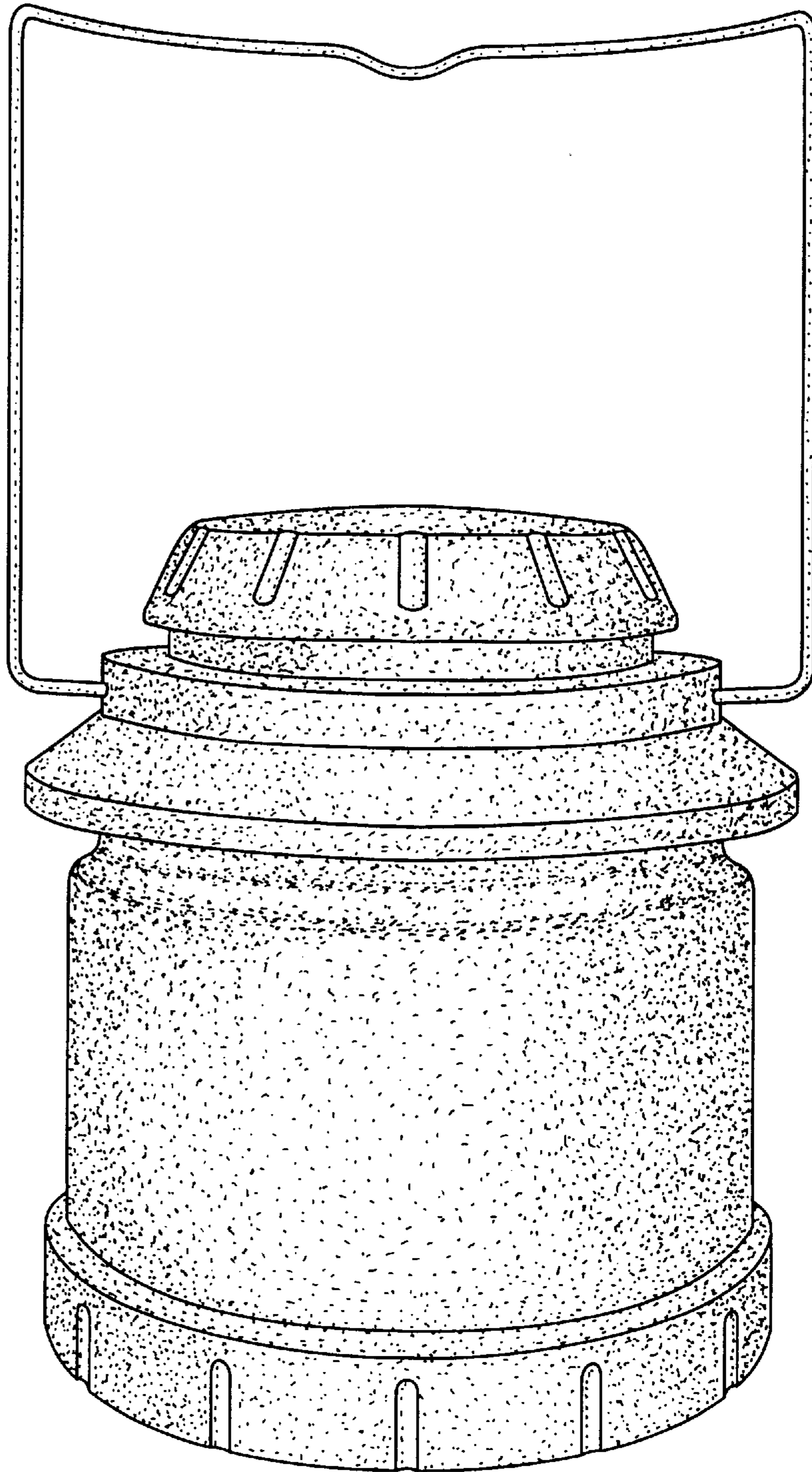
**FIG. 12**



**FIG. 13**

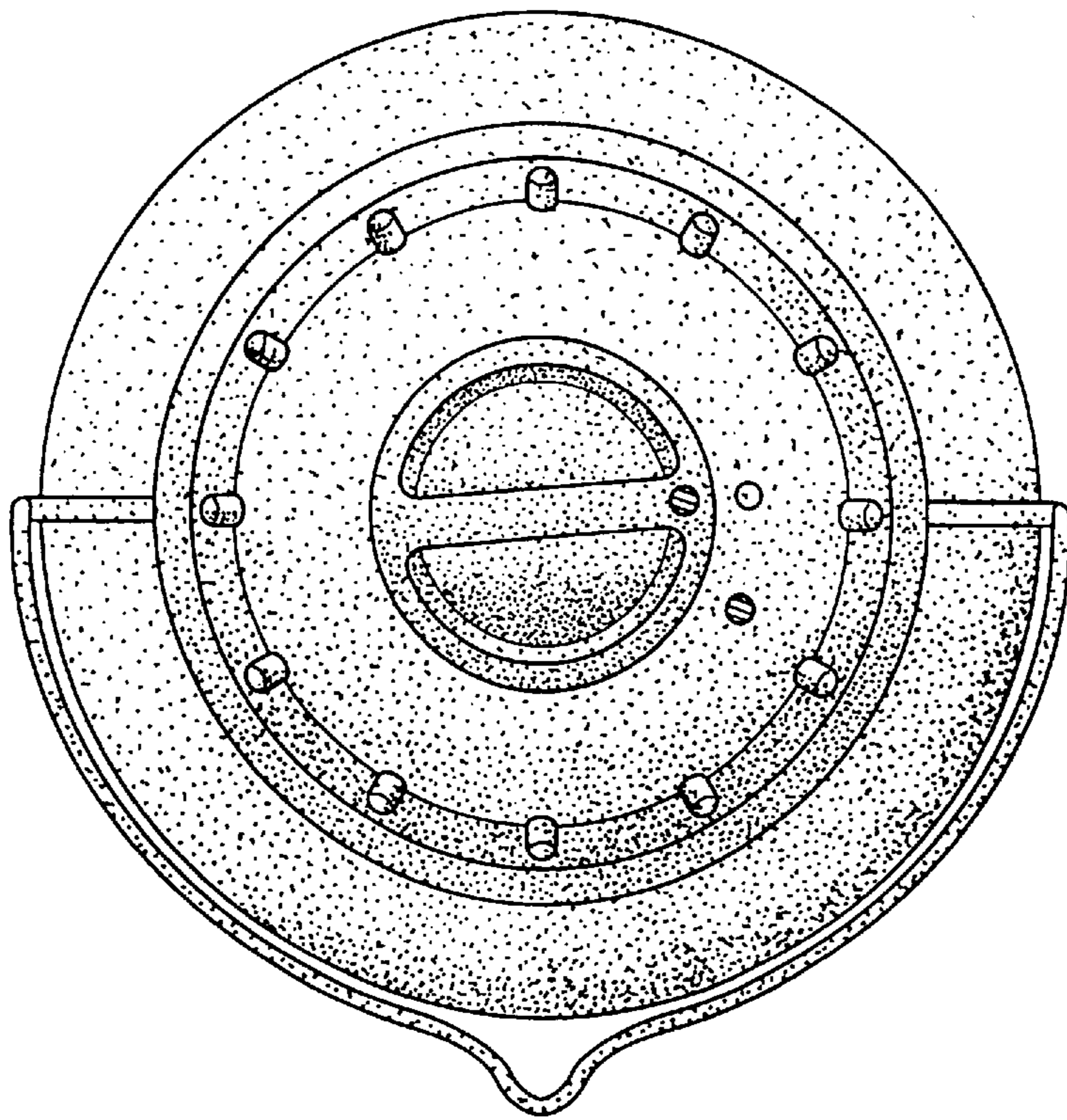


**FIG. 14**



**FIG. 15**





**FIG. 16**