



US00D399015S

# United States Patent [19]

Ponton et al.

[11] Patent Number: **Des. 399,015**

[45] Date of Patent: **\*\*Sep. 29, 1998**

[54] **VEHICLE LAMP**

[75] Inventors: **Andrew J. Ponton; Mark A. Singleton**, both of Seymour, Ind.

[73] Assignee: **Osram Sylvania Inc.**, Danvers, Mass.

[\*\*] Term: **14 Years**

[21] Appl. No.: **75,742**

[22] Filed: **Aug. 21, 1997**

[51] **LOC (6) Cl.** ..... **26-06**

[52] **U.S. Cl.** ..... **D26/28**

[58] **Field of Search** ..... D26/28-36; 362/61, 362/72, 74, 80-83, 267, 269, 275

[56] **References Cited**

**U.S. PATENT DOCUMENTS**

- D. 317,212 5/1991 Fettes et al. .... D26/28
- D. 323,899 2/1992 La Pointe ..... D26/28
- D. 372,995 8/1996 Huang ..... D26/28

- 1,235,564 8/1917 Gray ..... D26/28
- 1,457,565 6/1923 Warrick ..... D26/28
- 2,147,914 2/1939 Morehead ..... D26/28
- 4,586,116 4/1986 Kasboske ..... D26/28

*Primary Examiner*—Marcus A. Jackson  
*Attorney, Agent, or Firm*—William E. Meyer

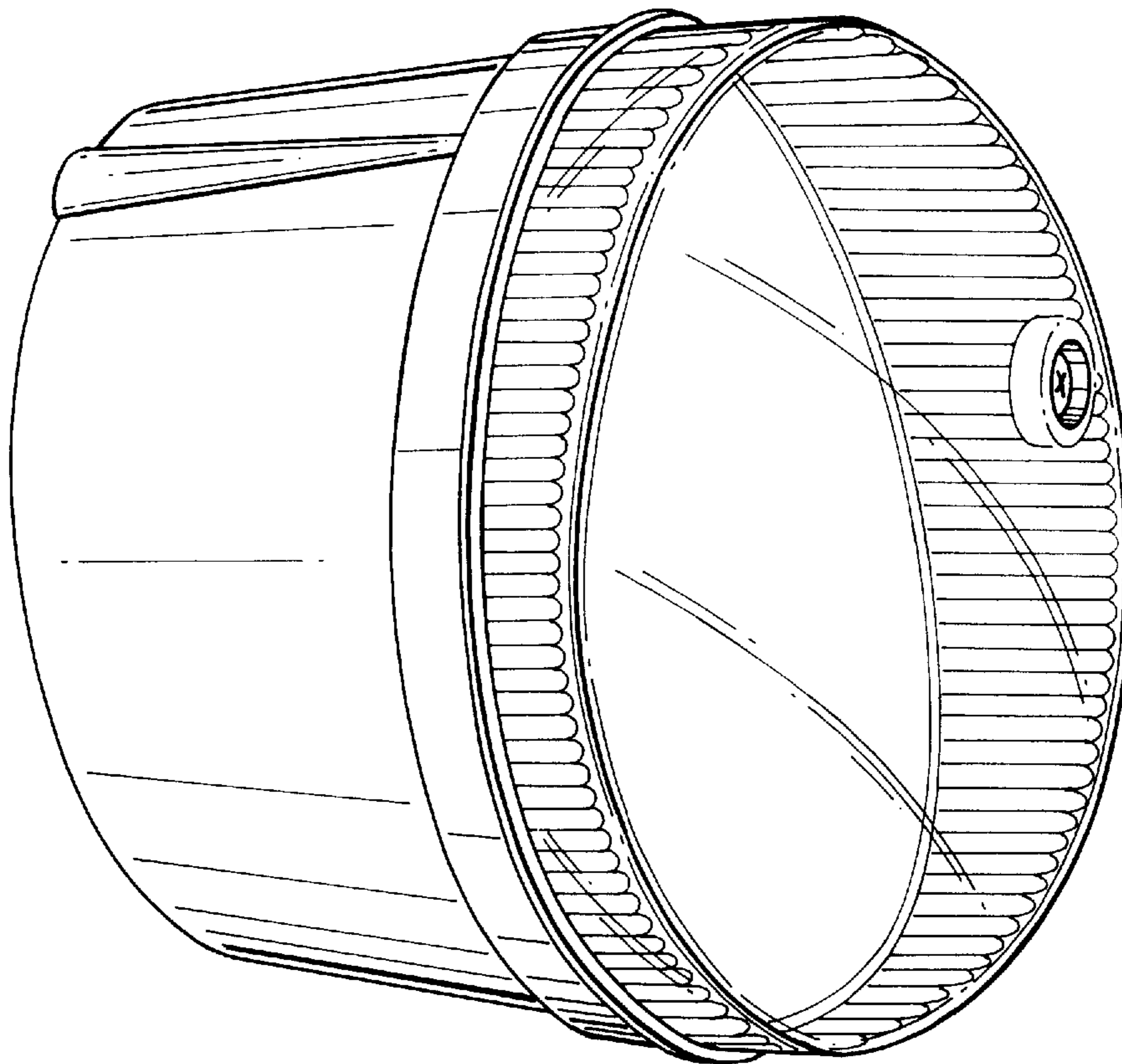
[57] **CLAIM**

The ornamental design for a vehicle lamp, as shown and described.

**DESCRIPTION**

FIG. 1 is a perspective view of an vehicle lamp illustrating our new design;  
FIG. 2 is a front view thereof;  
FIG. 3 is a right side view thereof;  
FIG. 4 is a rear view thereof;  
FIG. 5 is a left side view thereof;  
FIG. 6 is a top view thereof; and,  
FIG. 7 is a bottom top view thereof.

**1 Claim, 7 Drawing Sheets**



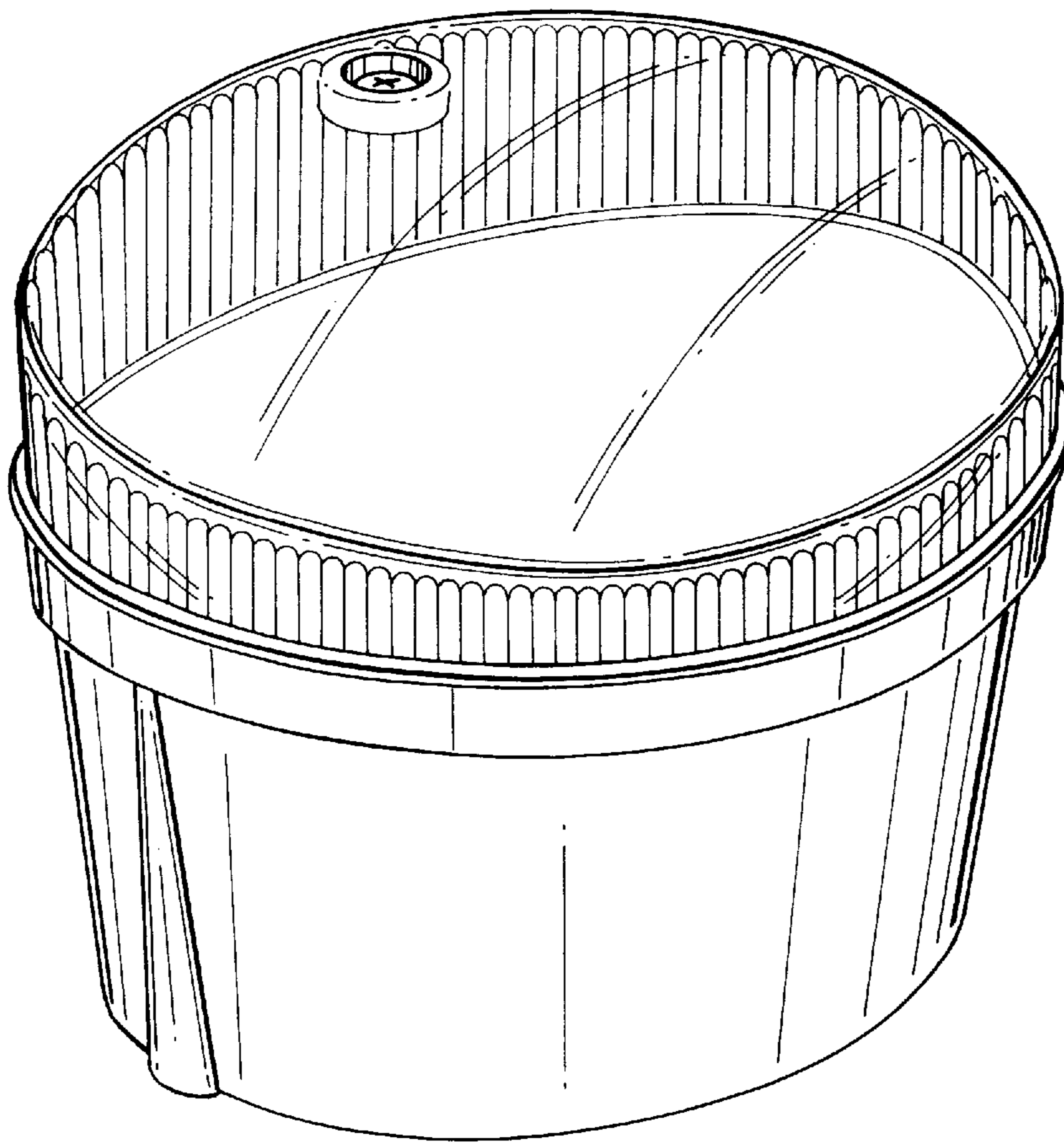


FIG. 1

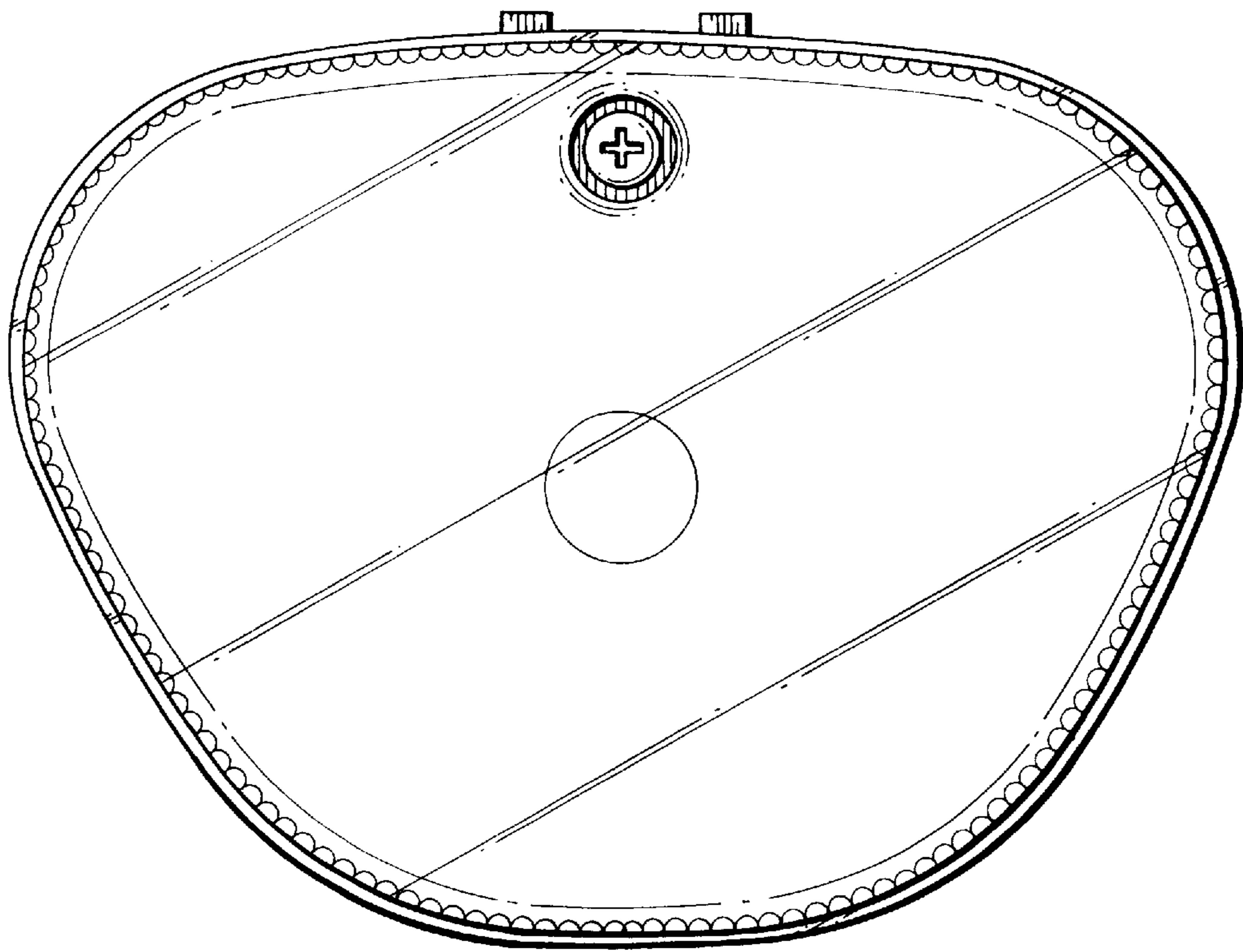


FIG. 2

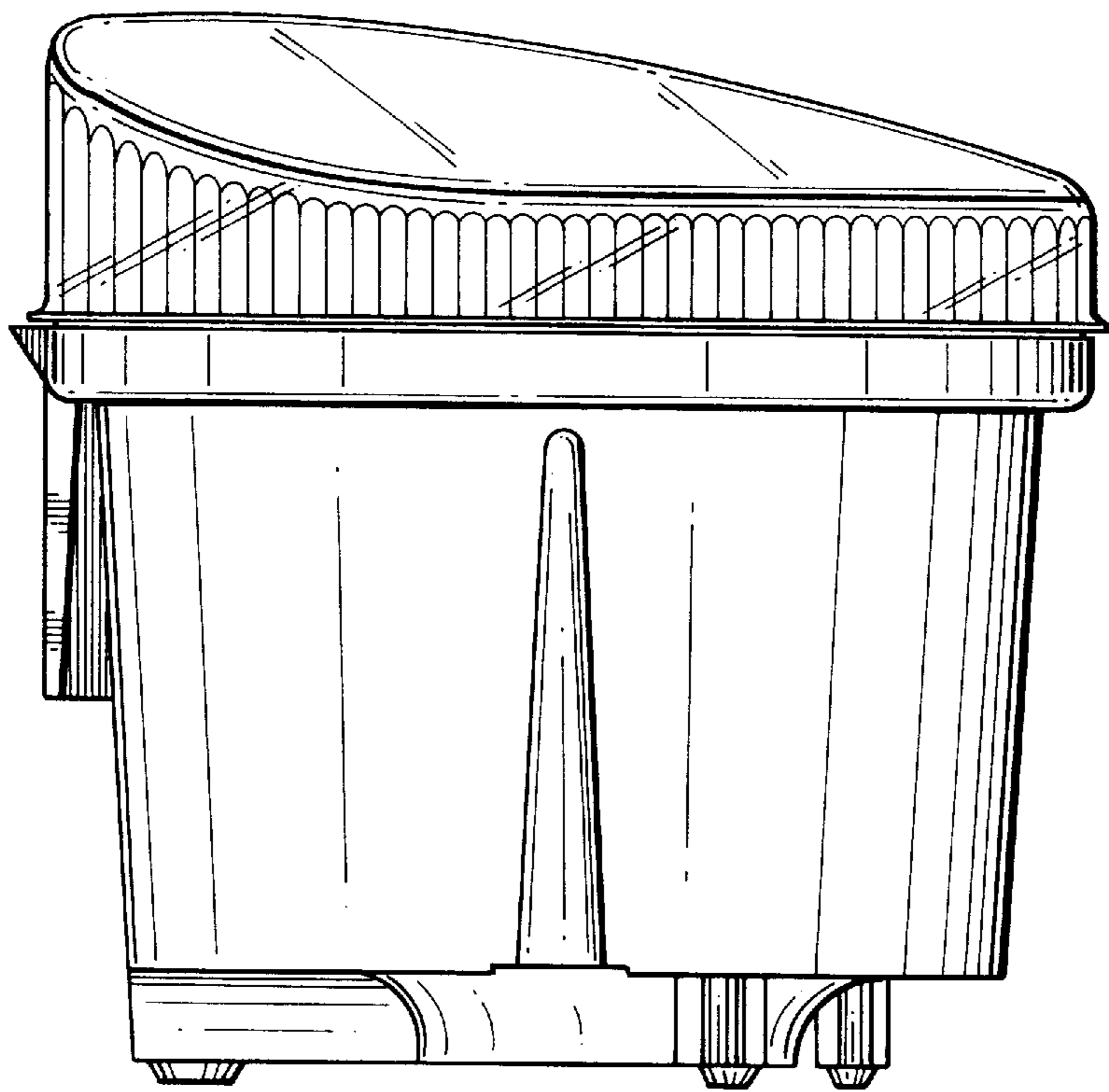


FIG. 3

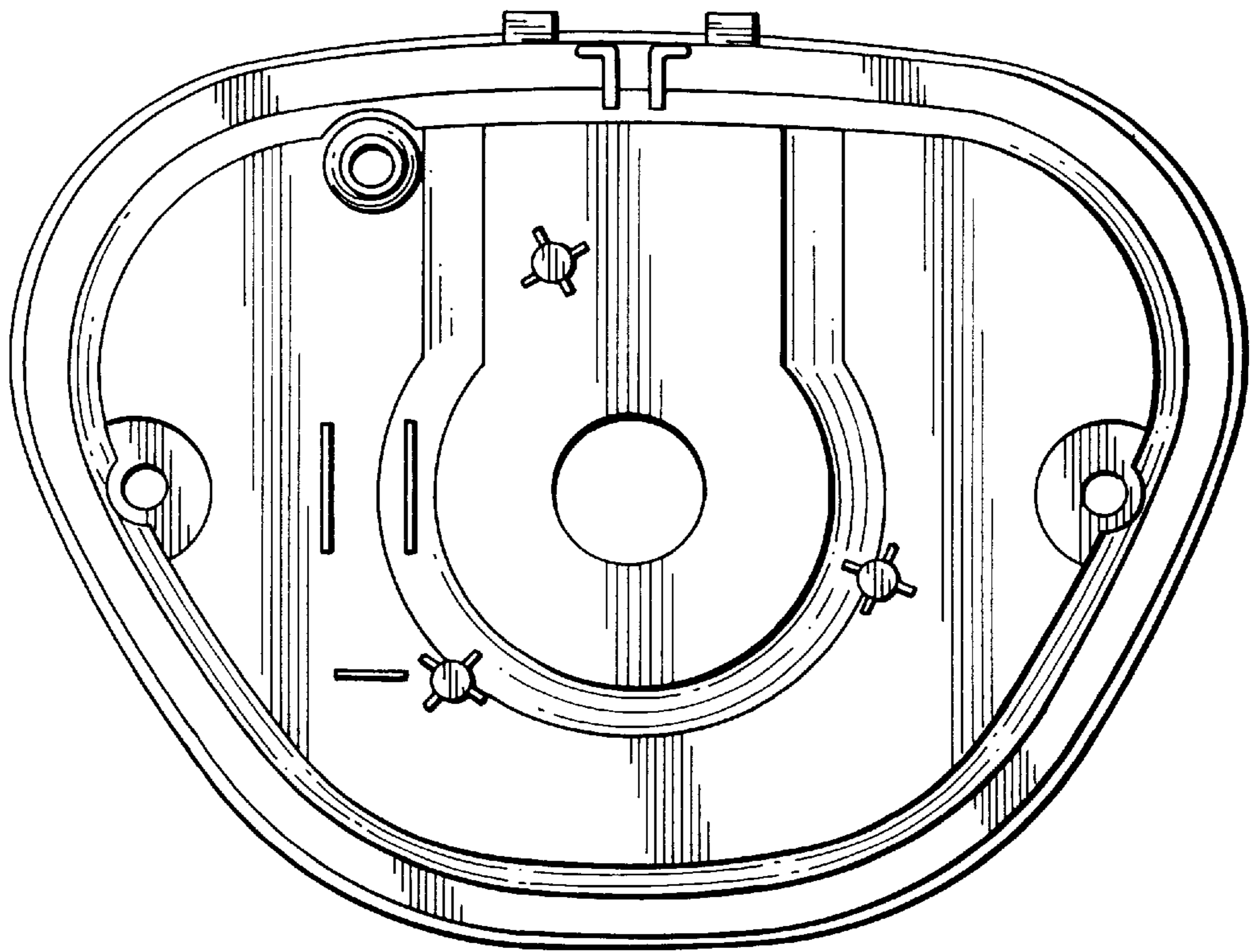


FIG. 4

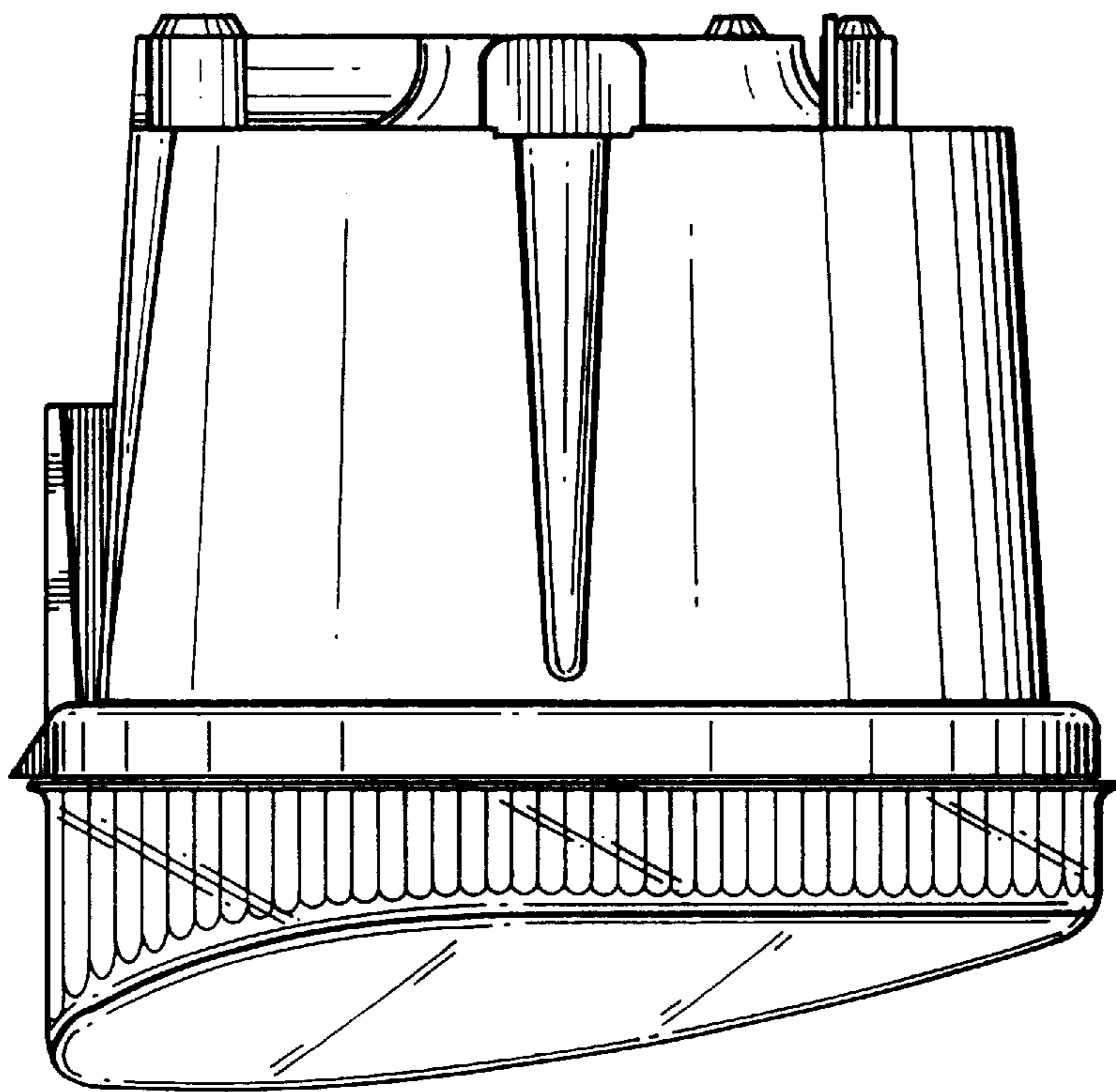


FIG. 5

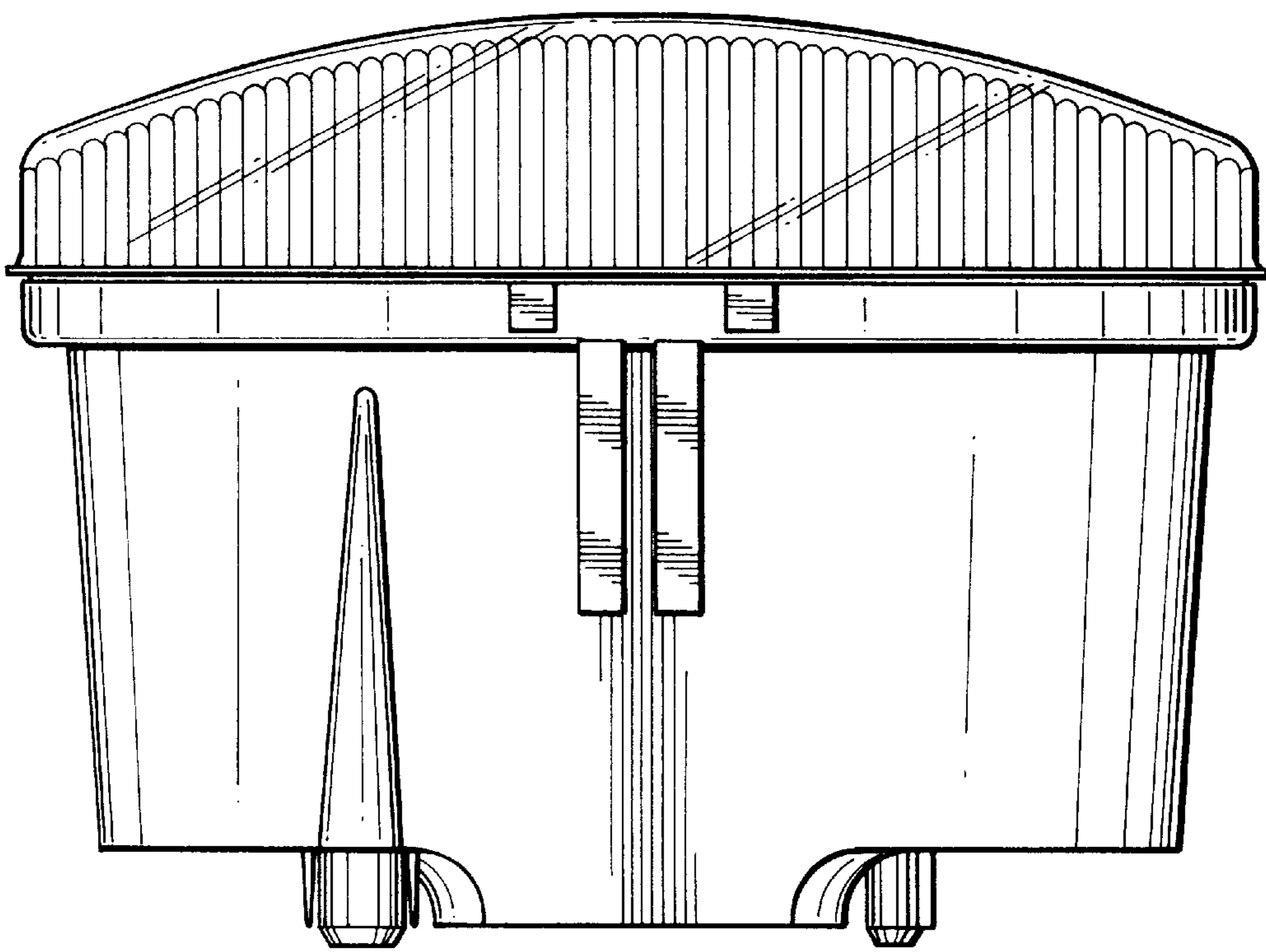


FIG. 6

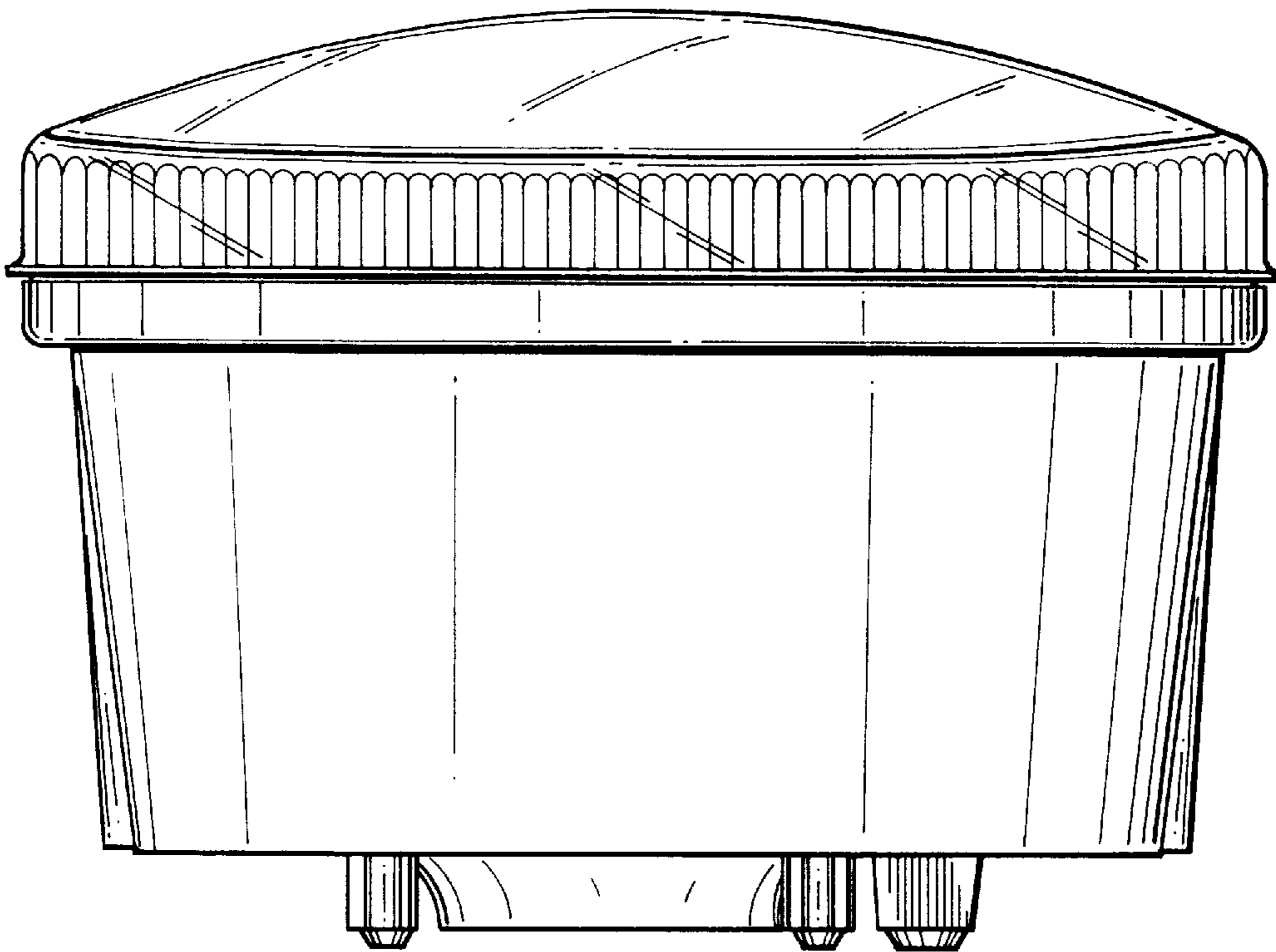


FIG. 7