



US00D399013S

United States Patent [19] Nguyen

[11] **Patent Number: Des. 399,013**

[45] **Date of Patent: **Sep. 29, 1998**

[54] **POST BASE FOR ROUND TIMBERS**

3,630,474 12/1971 Miner D25/133

[75] Inventor: **Lan-Chi K. Nguyen**, San Jose, Calif.

Primary Examiner—Doris Clark
Attorney, Agent, or Firm—James R. Cypher

[73] Assignee: **Simpson Strong-Tie Company, Inc.**, Pleasanton, Calif.

[**] Term: **14 Years**

[57] **CLAIM**

The ornamental design for a post base for round timbers, as shown and described.

[21] Appl. No.: **78,632**

[22] Filed: **Oct. 30, 1997**

DESCRIPTION

[51] **LOC (6) Cl.** **25-01**

[52] **U.S. Cl.** **D25/133**

[58] **Field of Search** D25/133; 248/346.01,
248/346.5; 362/431; 52/301, 698, 721.3,
701, 705; D8/354

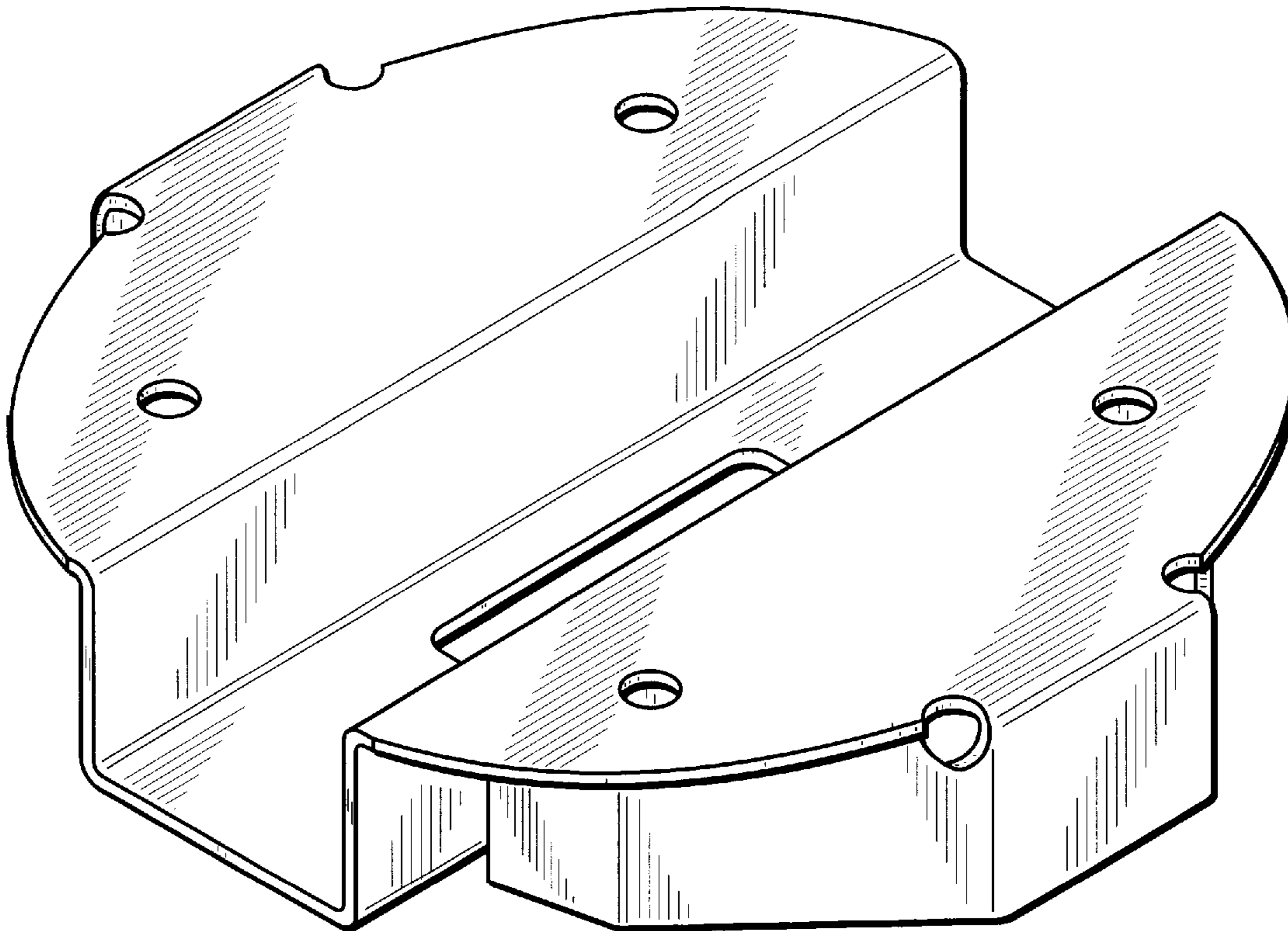
FIG. 1 is a top perspective view of the post base for round timbers showing my new design;
FIG. 2 is a bottom perspective view thereof;
FIG. 3 is a top plan view thereof;
FIG. 4 is a bottom plan view thereof;
FIG. 5 is front elevation view thereof; and
FIG. 6 is a side elevation view thereof.

[56] **References Cited**

U.S. PATENT DOCUMENTS

D. 364,334 11/1995 Sandstrom et al. D25/133

1 Claim, 3 Drawing Sheets



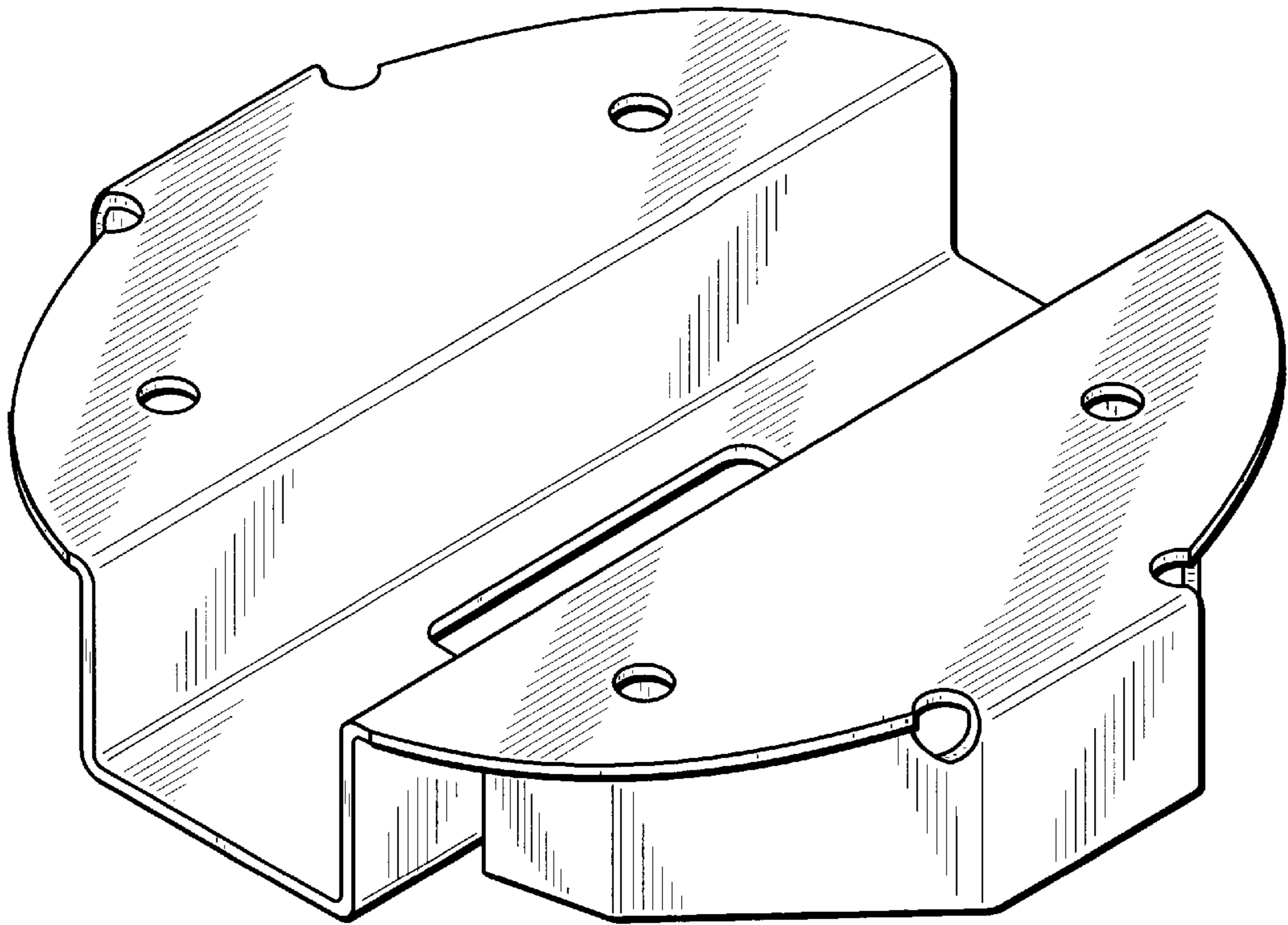


FIG. 1

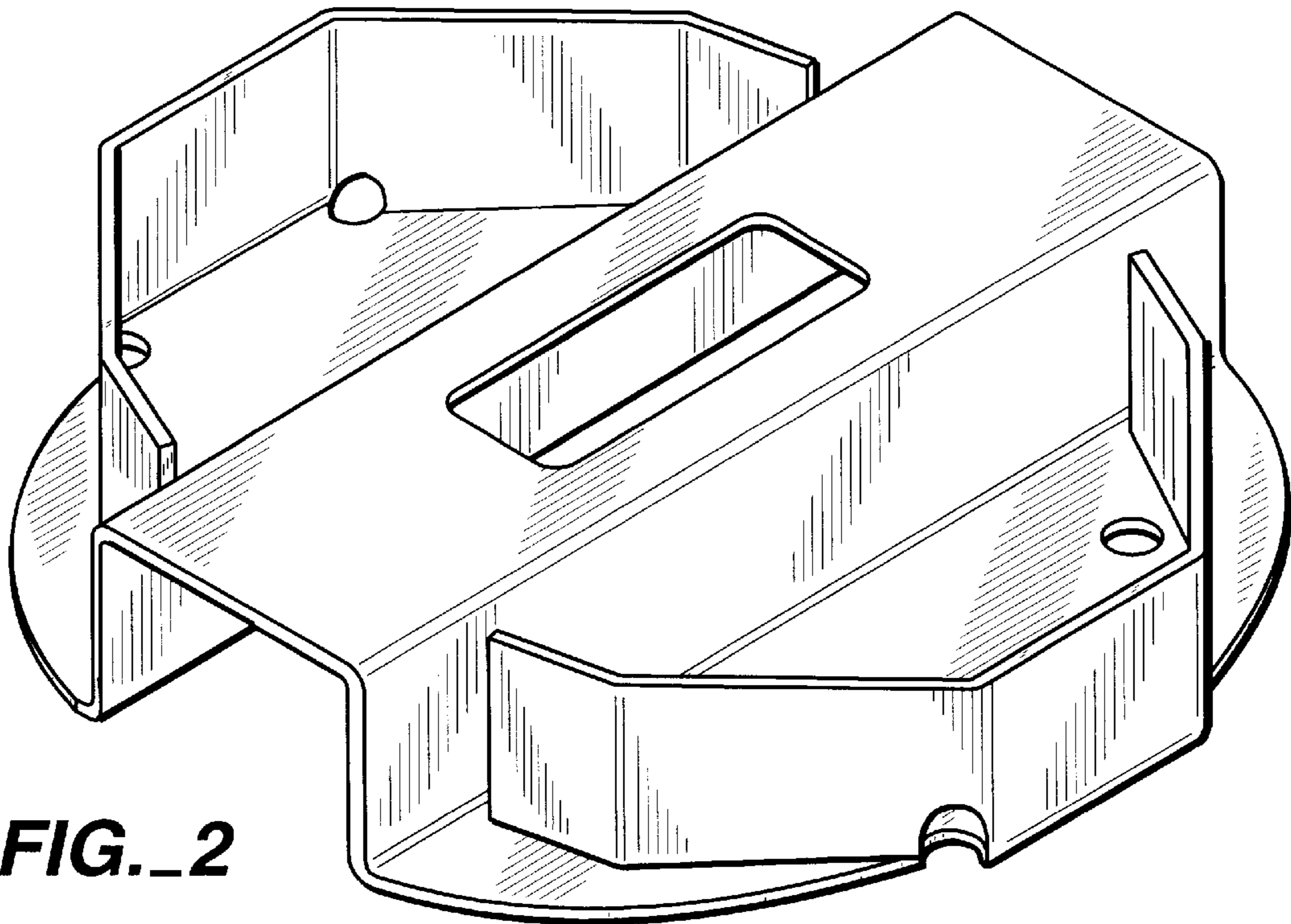


FIG. 2

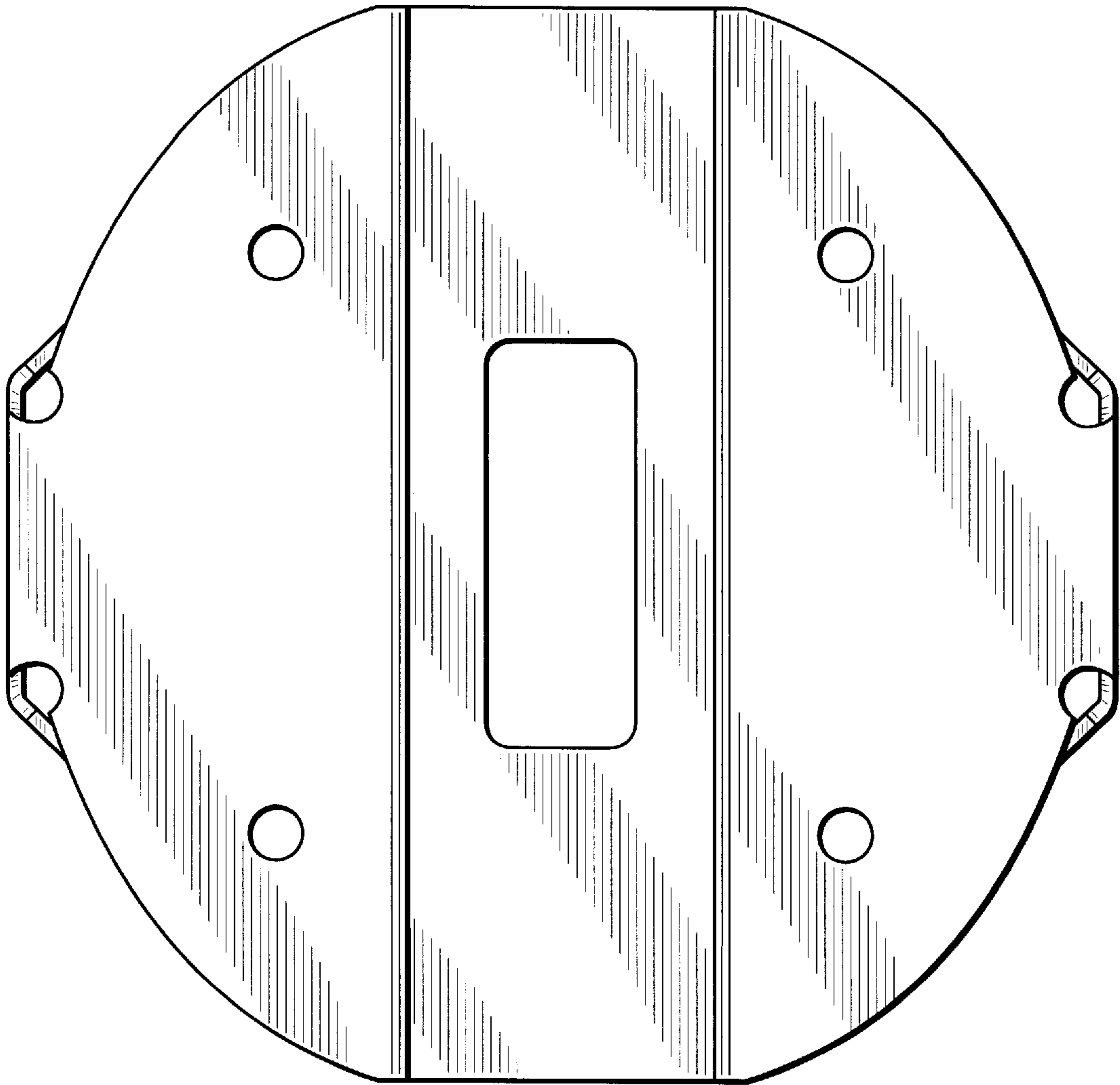


FIG._3

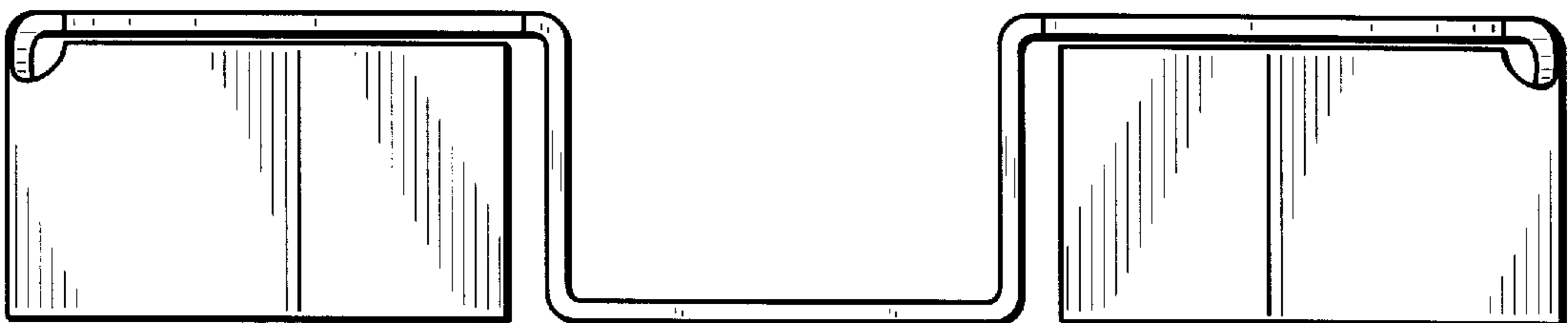


FIG._5

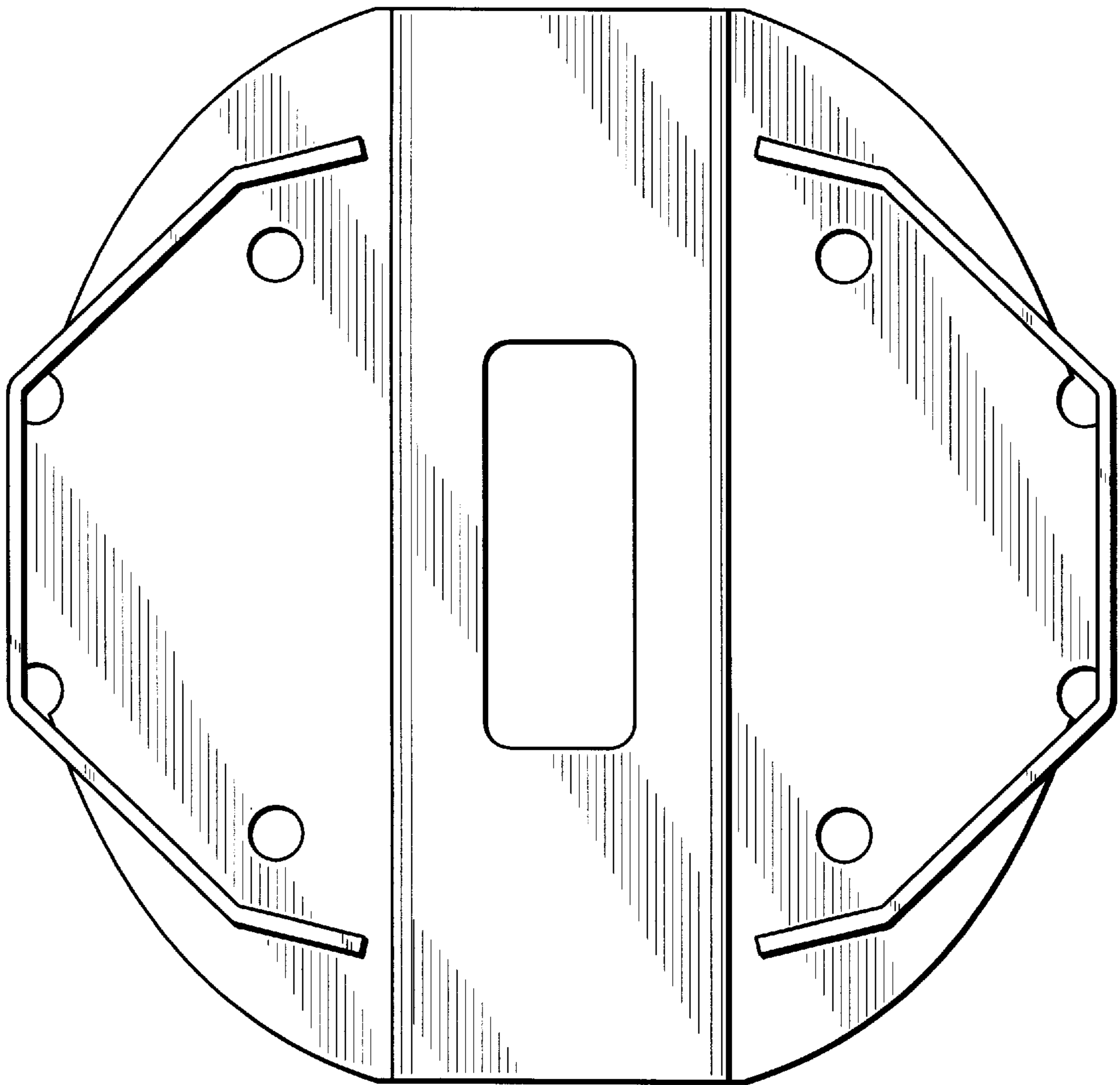


FIG._4

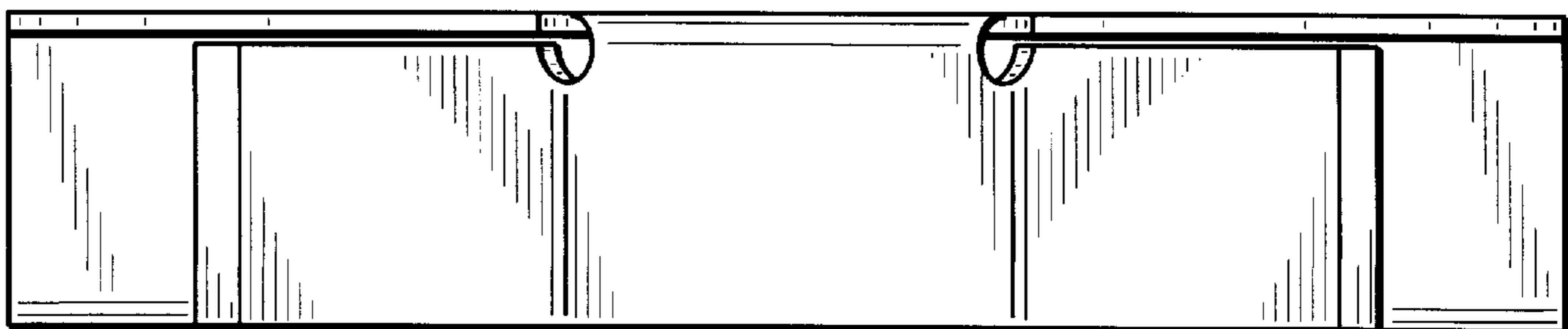


FIG._6