



US00D399008S

# United States Patent [19] Thomas

[11] **Patent Number: Des. 399,008**

[45] **Date of Patent: \*\*Sep. 29, 1998**

[54] **MANIFOLD CONNECTOR**

D. 364,809 12/1995 Thomas ..... D9/439

[75] Inventor: **Glenn E. Thomas**, Louisville, Ky.

*Primary Examiner*—Marcus A. Jackson  
*Attorney, Agent, or Firm*—Middleton & Reutlinger; James C. Eaves, Jr.

[73] Assignee: **Chromatography Research Supplies, Inc.**, Addison, Ill.

[\*\*] Term: **14 Years**

[57] **CLAIM**

The ornamental design for a manifold connector, as shown and described.

[21] Appl. No.: **62,296**

[22] Filed: **Nov. 12, 1996**

**DESCRIPTION**

[51] **LOC (6) Cl.** ..... **24-99**

FIG. 1 is a top perspective view of a manifold connector, showing my new design;

[52] **U.S. Cl.** ..... **D24/232; D23/262; D8/382**

FIG. 2 is a bottom perspective view of a manifold connector, showing my new design;

[58] **Field of Search** ..... D24/232; D23/232, D23/262, 269; 95/82, 85, 86, 88; 55/327, 478, 480, 482, 485, 434, 209

FIG. 3 is a top view of the manifold connector of FIG. 1; FIG. 4 is a front view of the manifold connector of FIG. 1; FIG. 5 is a side view of the manifold connector of FIG. 1; FIG. 6 is a bottom view of the manifold connector of FIG. 1; and,

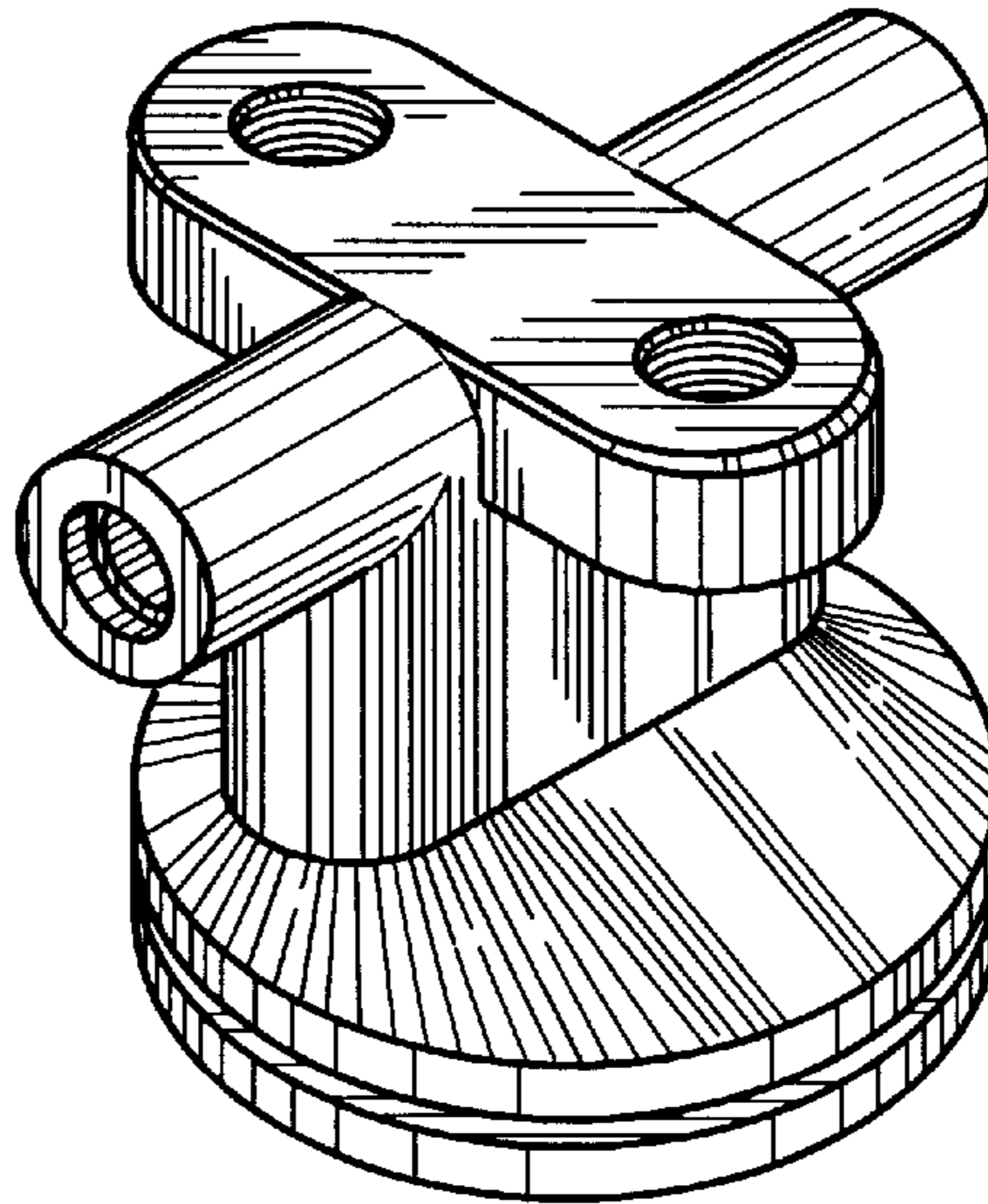
[56] **References Cited**

**U.S. PATENT DOCUMENTS**

FIG. 7 is a cross-sectional view of the manifold connector of FIG. 3 along the section lines 7—7 of FIG. 3.

D. 303,710	9/1989	Neill	.....	D24/29
D. 357,200	4/1995	Thomas	.....	D10/103
D. 360,265	7/1995	Thomas	.....	D23/232

**1 Claim, 1 Drawing Sheet**



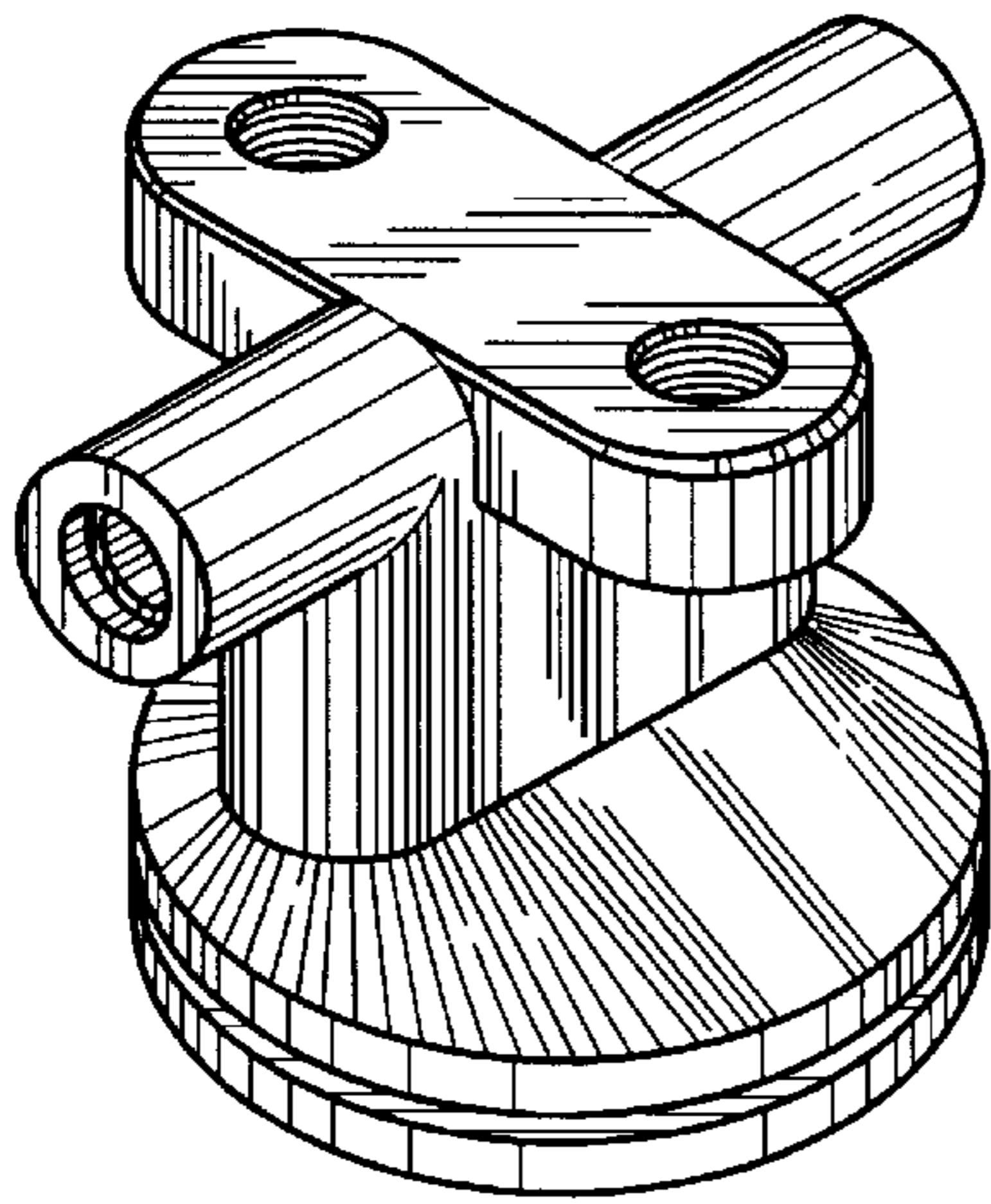


FIG. 1

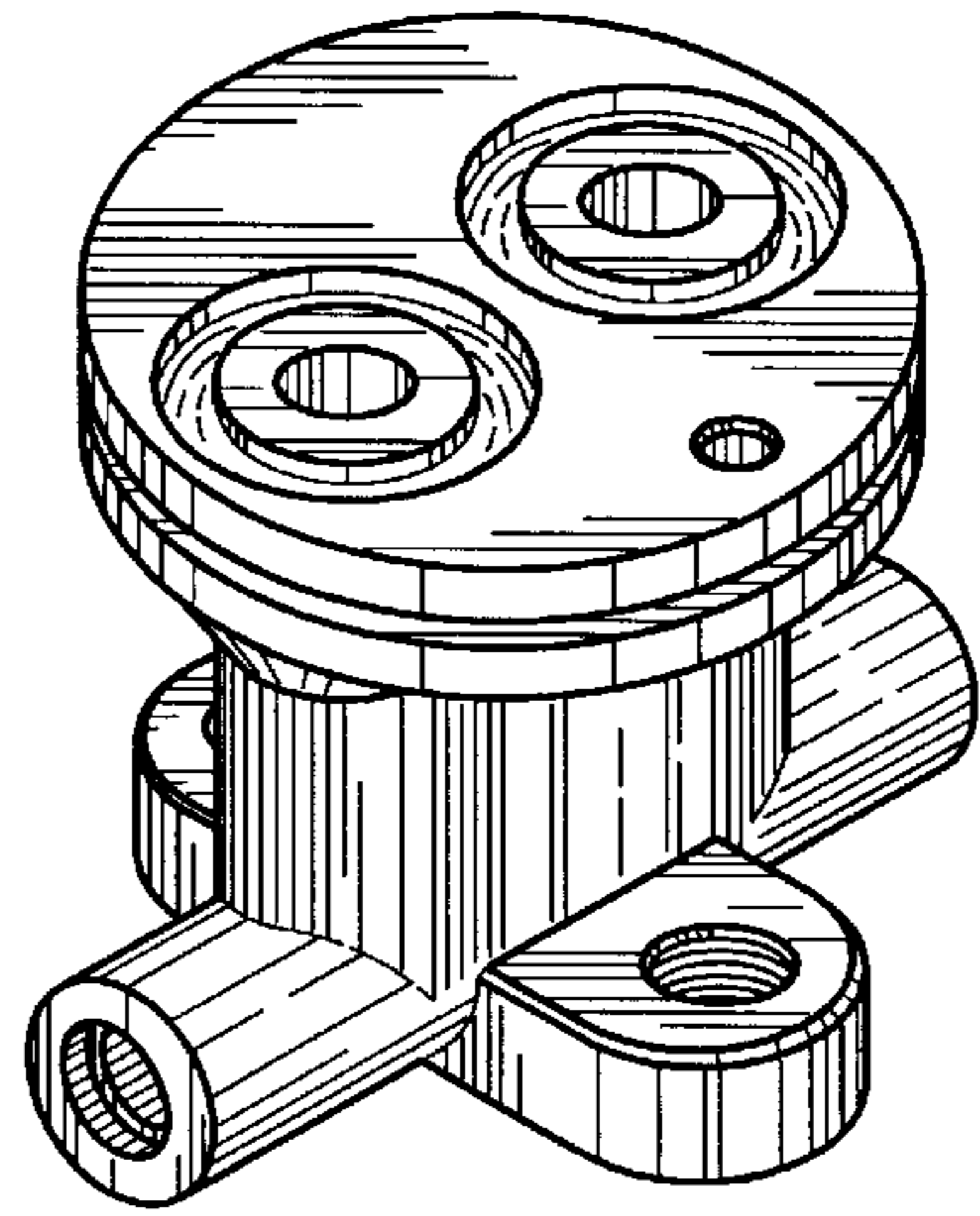


FIG. 2

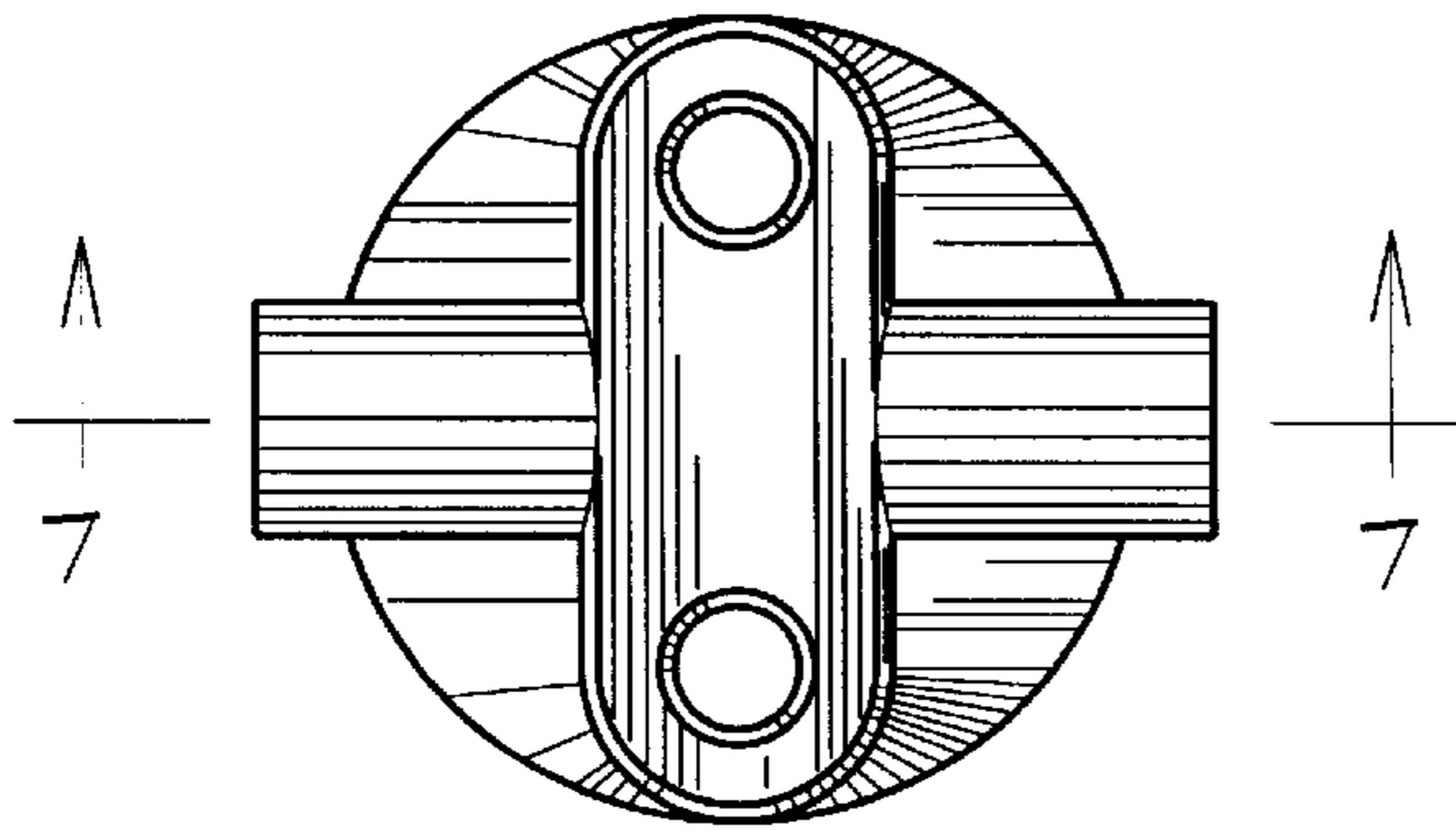


FIG. 3

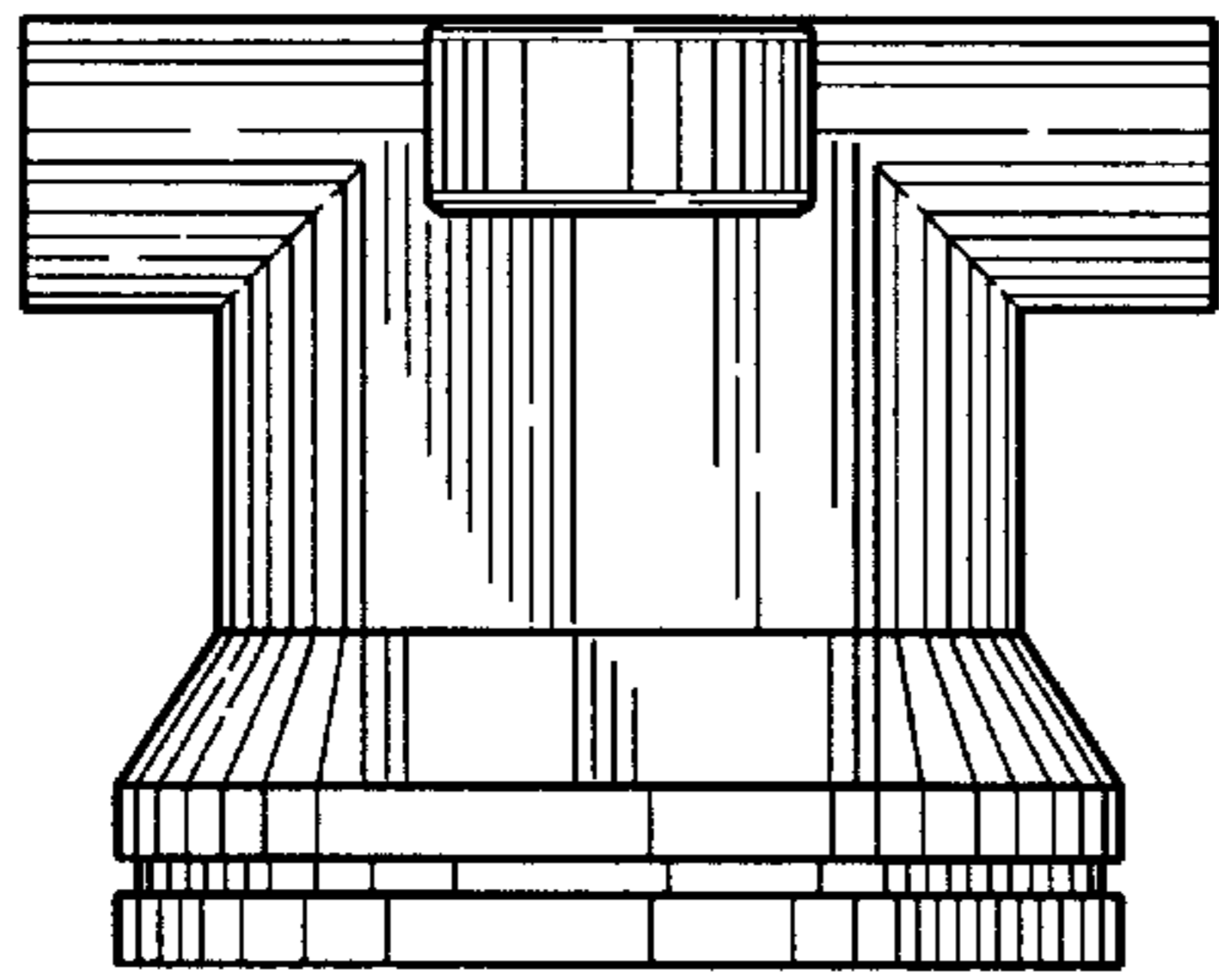


FIG. 4

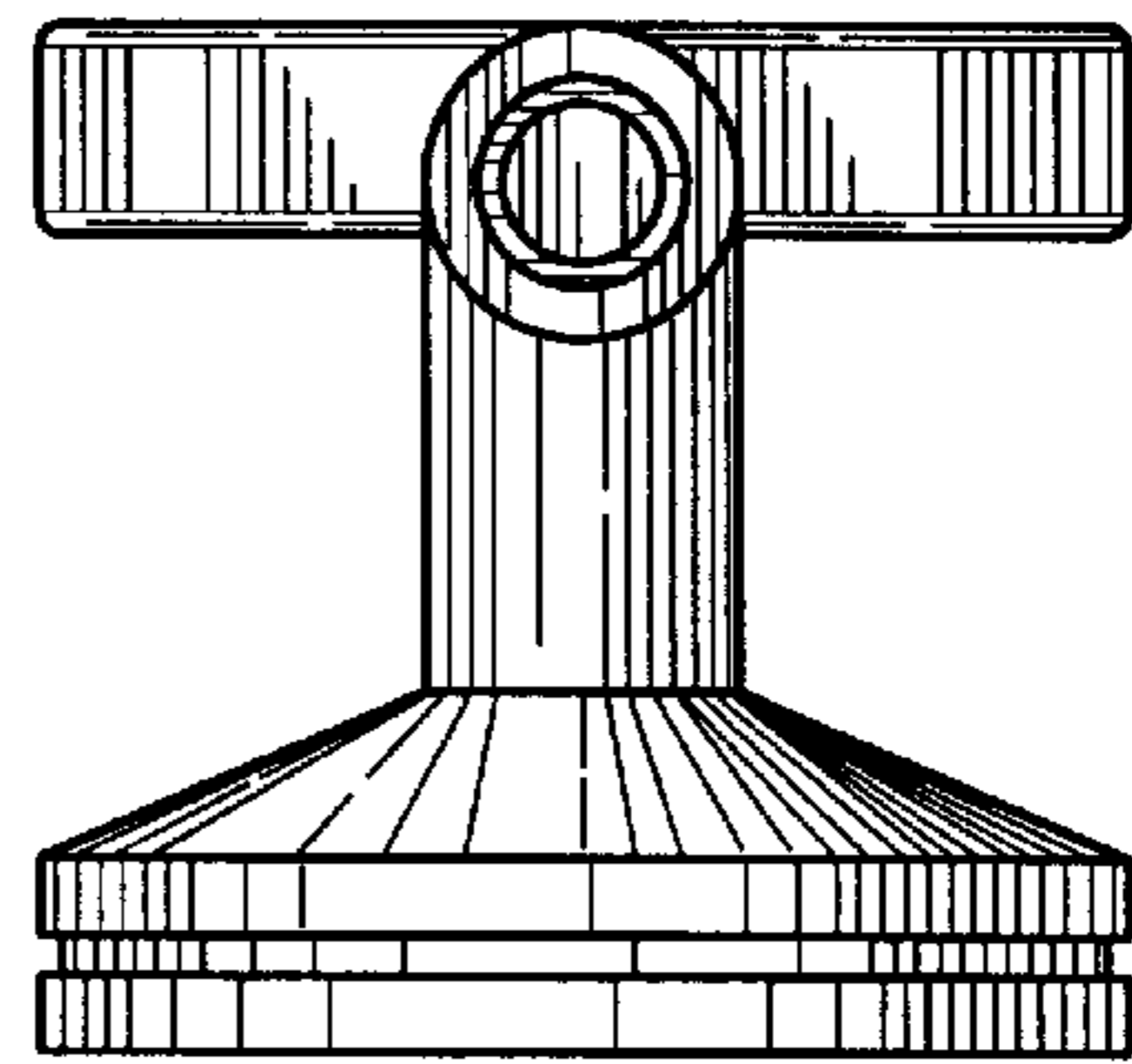


FIG. 5

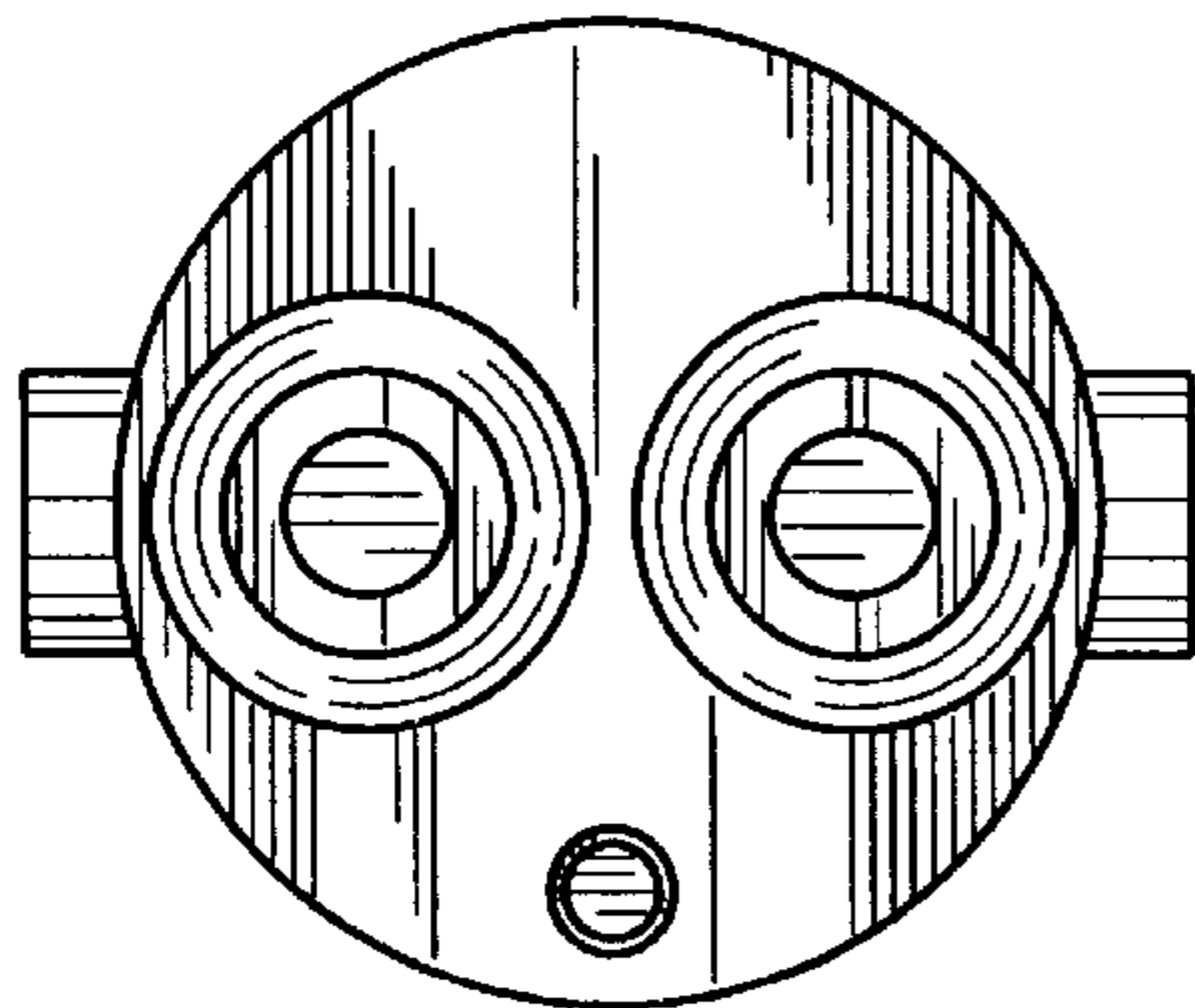


FIG. 6

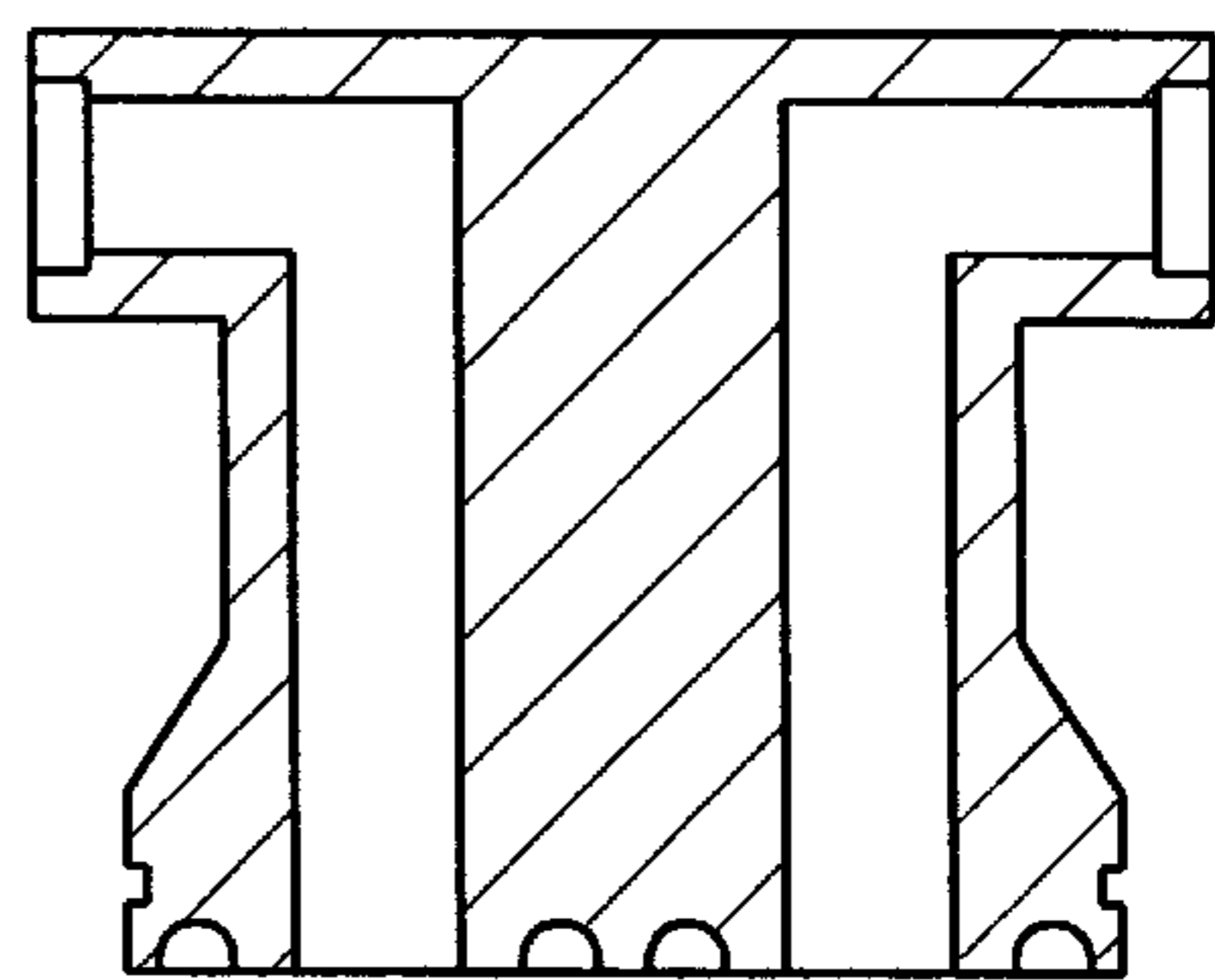


FIG. 7