



US00D399007S

United States Patent [19]

Jones et al.

[11] **Patent Number: Des. 399,007**

[45] **Date of Patent: **Sep. 29, 1998**

[54] **SPECIMEN CUP HOLDER**

[76] Inventors: **Timothy B. Jones**, 2517 E. Sweetbriar, Edmond, Okla. 73034; **Robert D. Jones; Lori D. Jones**, both of 4612 Stable Dr., Norman, Okla. 73072

[**] Term: **14 Years**

[21] Appl. No.: **63,161**

[22] Filed: **Nov. 29, 1996**

[51] **LOC (6) Cl. 24-01**

[52] **U.S. Cl. D24/227; D24/128; D24/122**

[58] **Field of Search D24/227, 128, D24/122, 121; 422/102, 104; 248/311.2, 312.1; 206/303**

[56] **References Cited**

U.S. PATENT DOCUMENTS

D. 306,648	3/1990	Jones et al.	D24/128
D. 335,177	4/1993	Jones et al.	D24/128
D. 335,179	4/1993	Jones et al.	D24/128
5,492,220	2/1996	Estay	206/363

Primary Examiner—Louis S. Zarfes
Assistant Examiner—G. Andoll

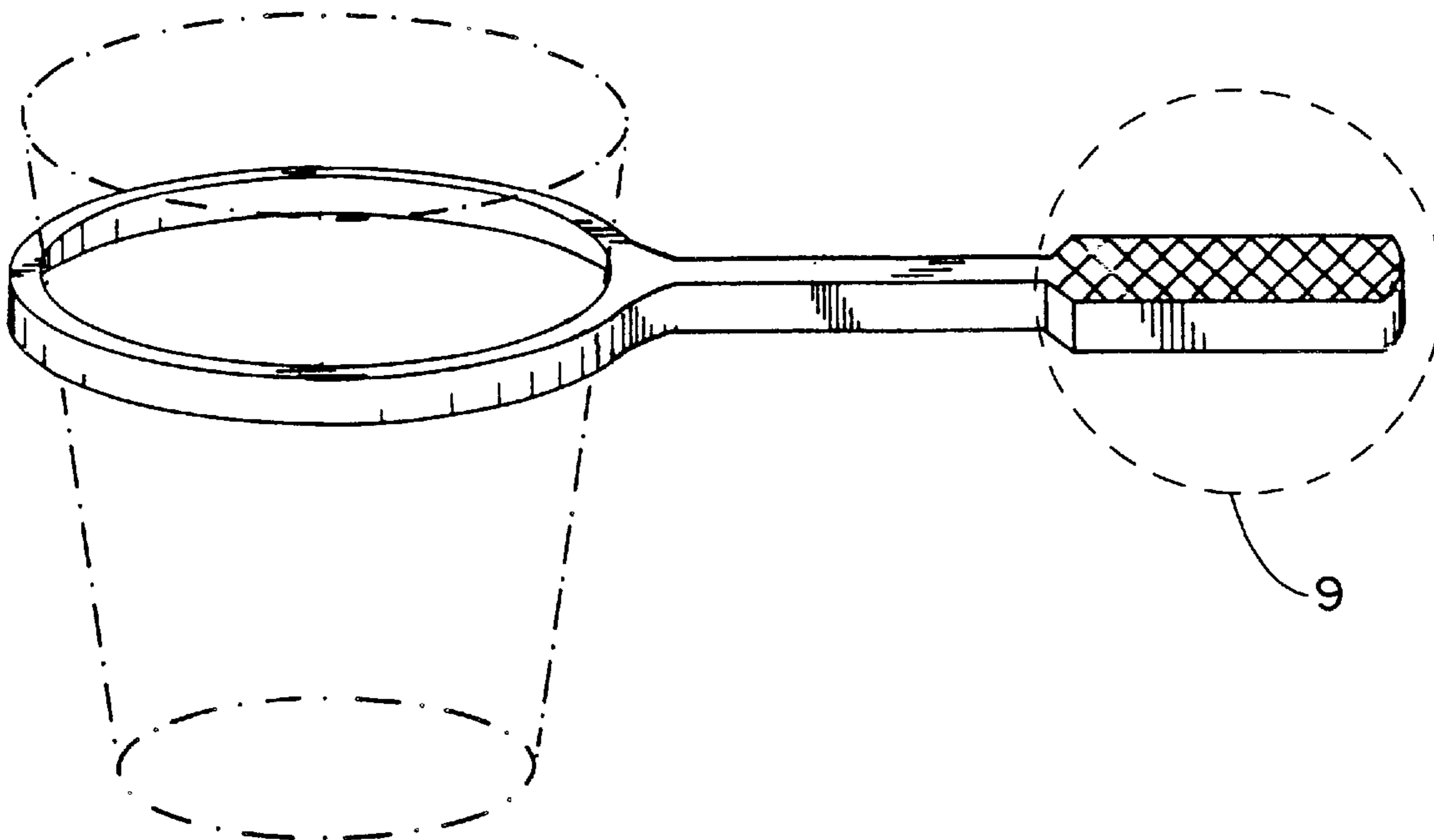
[57] **CLAIM**

The ornamental design for a specimen cup holder, as shown and described.

DESCRIPTION

FIG. 1 is a front top perspective view of a specimen cup holder showing my new design, the rear top perspective view is a mirror image thereof;
 FIG. 2 is a side elevational view thereof;
 FIG. 3 is a side elevational view thereof, opposite that shown in FIG. 2;
 FIG. 4 is a front elevational view thereof;
 FIG. 5 is a rear elevational view thereof;
 FIG. 6 is a top plan view thereof;
 FIG. 7 is a bottom plan view thereof;
 FIG. 8 is a front bottom perspective view, the rear bottom perspective view as a mirror image thereof; and,
 FIG. 9 is an enlarged top perspective view of a detail of the handle of FIG. 1.

1 Claim, 3 Drawing Sheets



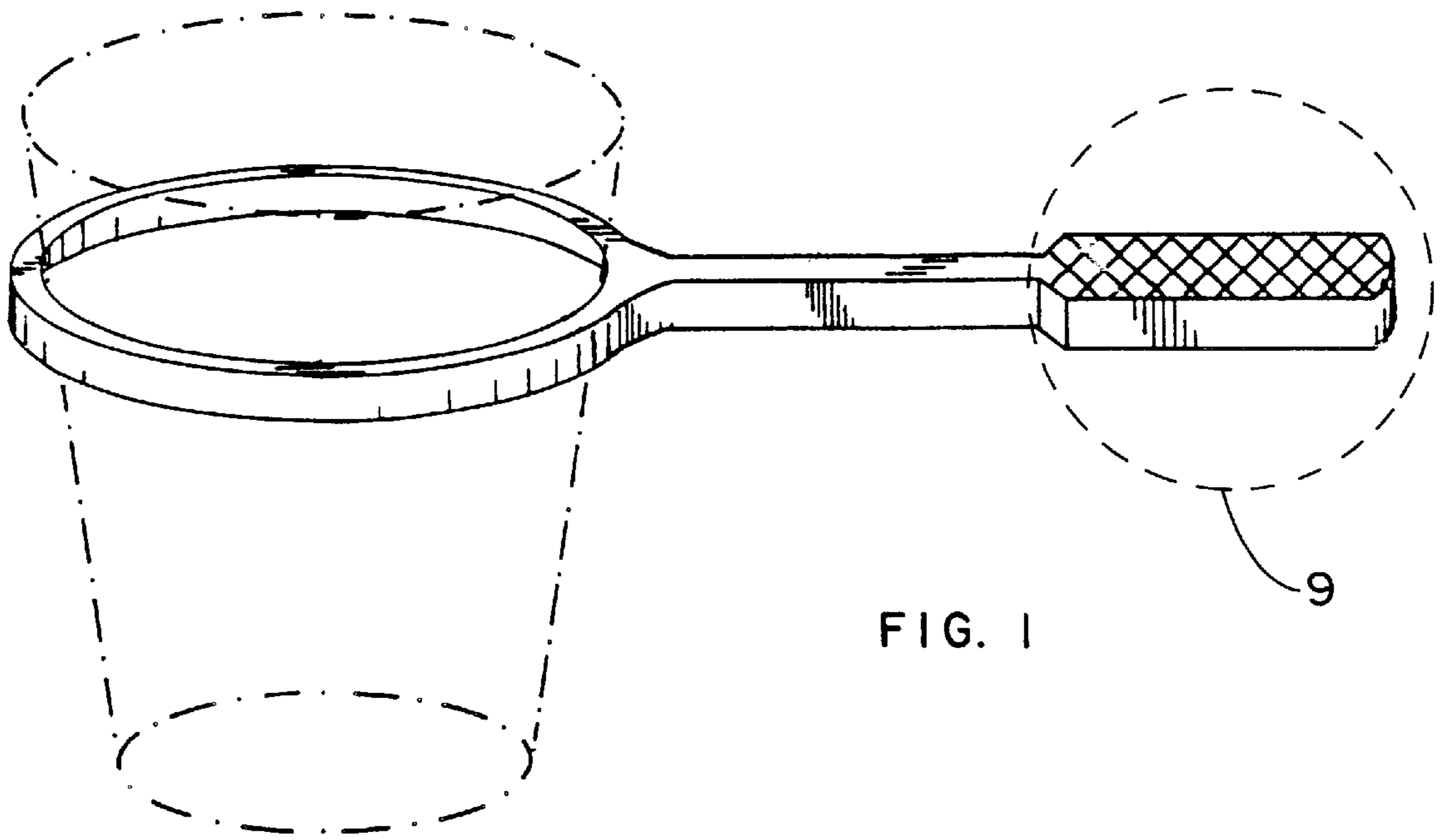


FIG. 1



FIG. 2



FIG. 3



FIG. 4



FIG. 5

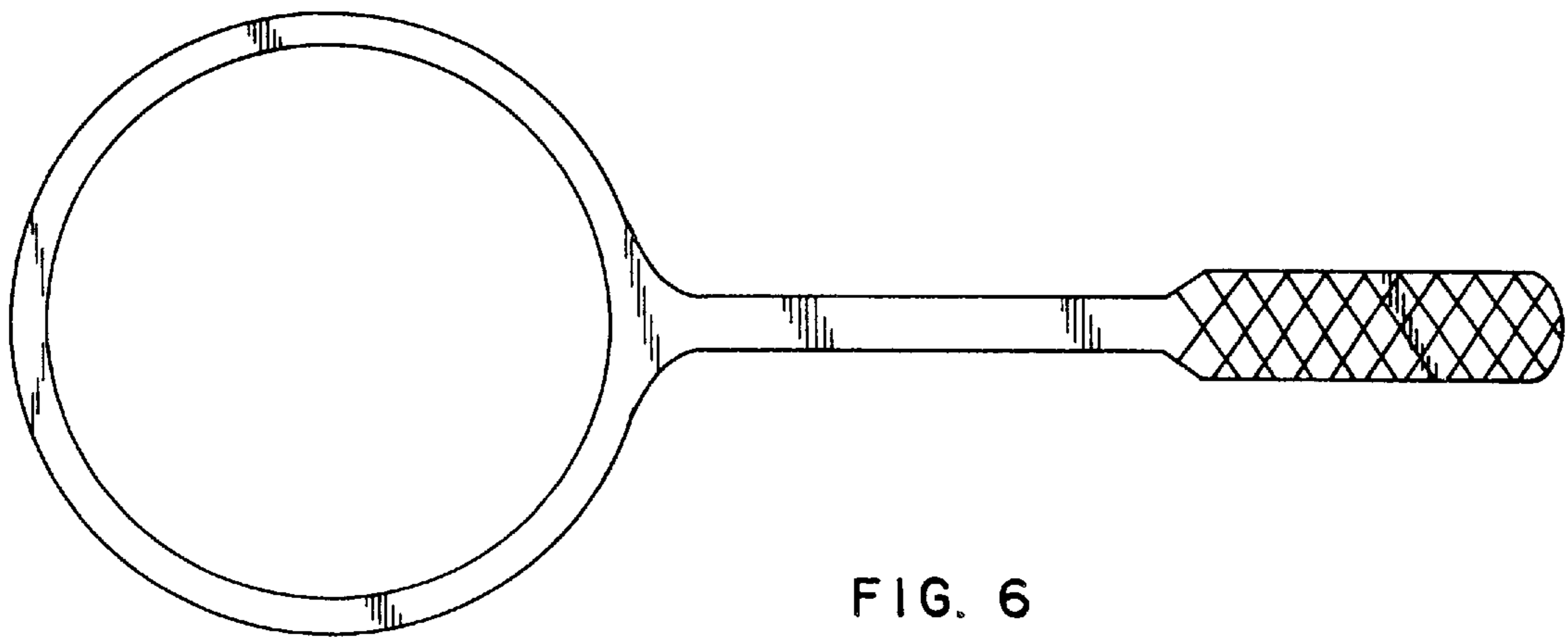


FIG. 6

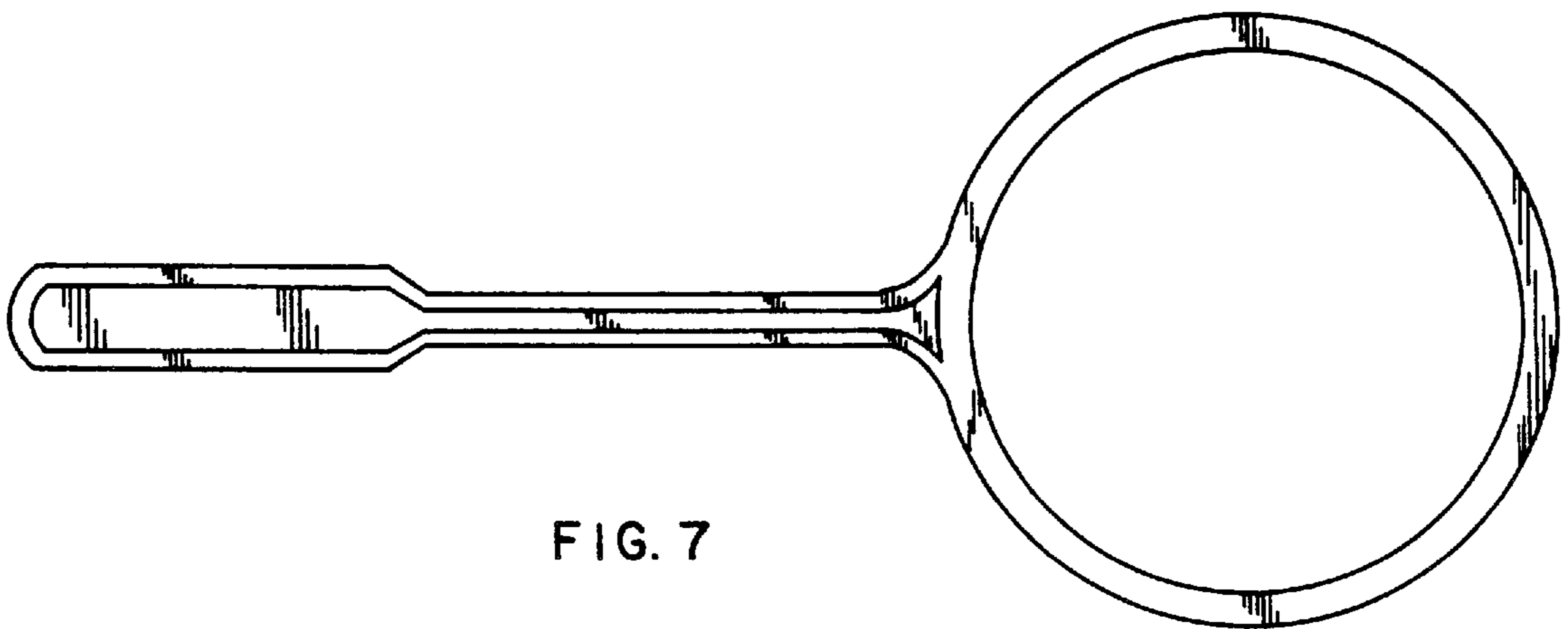


FIG. 7

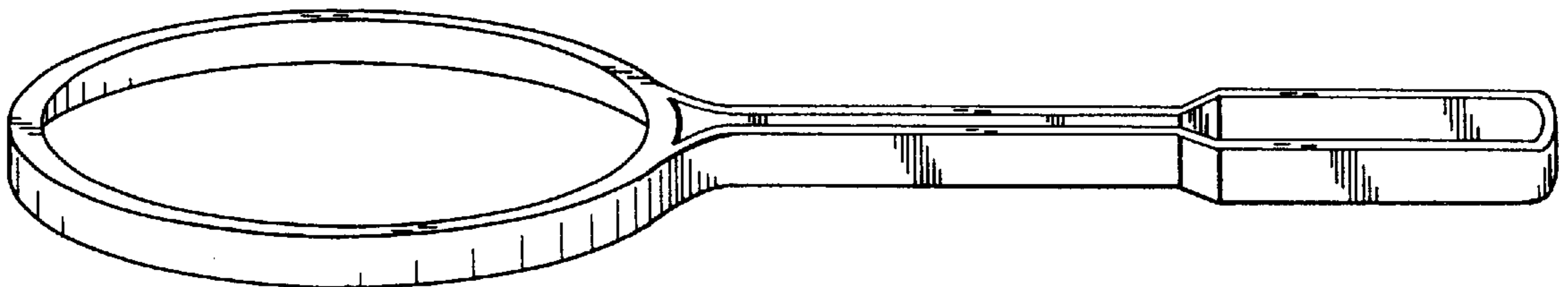


FIG. 8

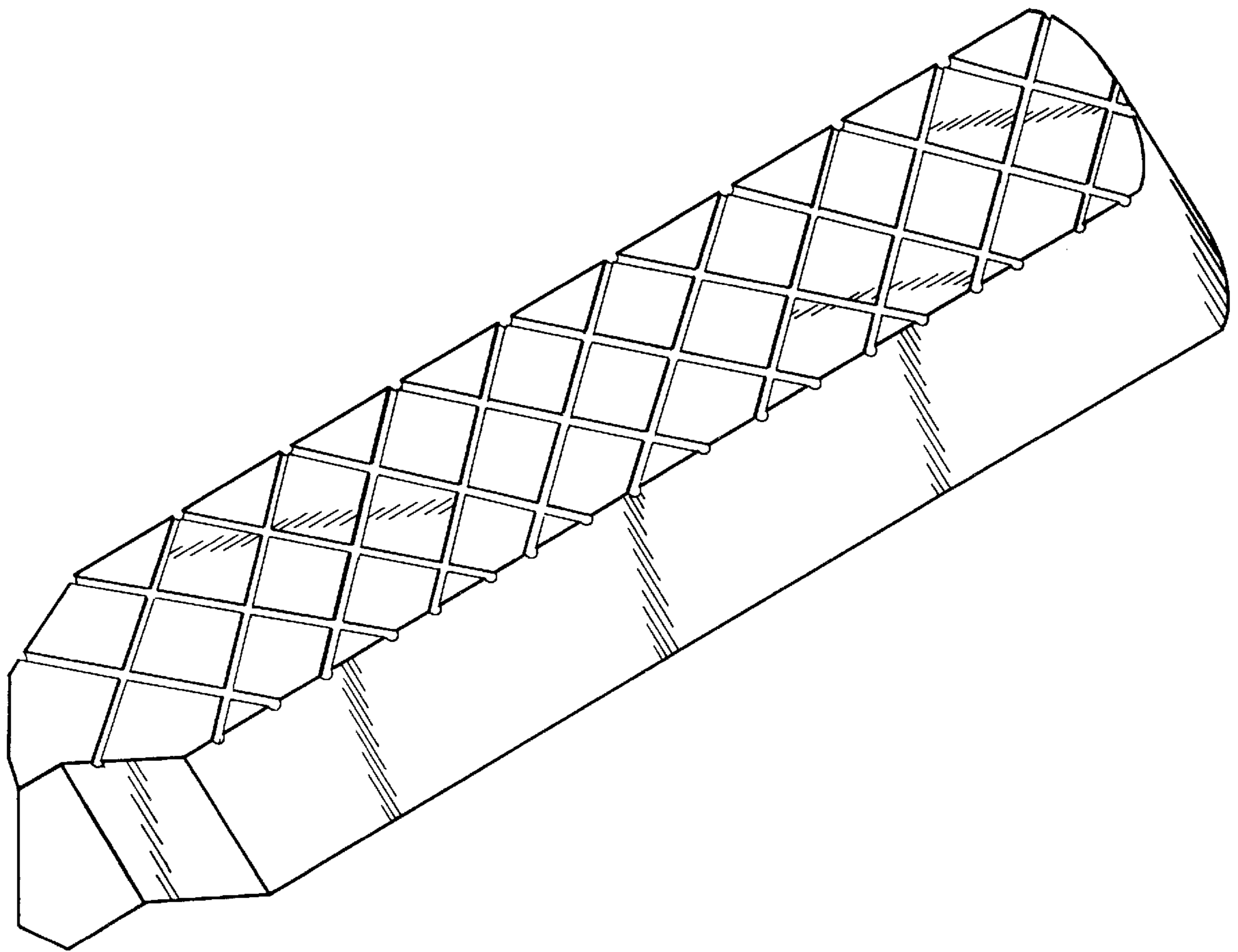


FIG. 9