



US00D399006S

United States Patent [19] Jenkins

[11] **Patent Number: Des. 399,006**

[45] **Date of Patent: **Sep. 29, 1998**

[54] **TEAT CAP FOR A BOTTLE**

[76] Inventor: **Mark Alexander Jenkins**, Pine Road,
R D 5, Feilding, New Zealand

[**] Term: **14 Years**

[21] Appl. No.: **62,923**

[22] Filed: **Dec. 4, 1996**

[30] Foreign Application Priority Data

Jun. 4, 1996 [NZ] New Zealand 27640

[51] **LOC (6) Cl. 07-01**

[52] **U.S. Cl. D24/197**

[58] **Field of Search** D9/434, 435, 436,
D9/443, 444, 445, 447; D24/194, 196,
197, 199; 215/11.1-11.6

[56] References Cited

U.S. PATENT DOCUMENTS

D. 179,833 3/1957 Zelony D9/439
D. 259,511 6/1981 Peterson D9/443 X

D. 299,009 12/1988 Schneider .
D. 302,038 7/1989 Barber .
D. 367,006 2/1996 Schauer D9/436
3,481,500 12/1969 Palma .
4,930,690 6/1990 Angeloz et al. 215/11.1 X

Primary Examiner—James Gandy
Assistant Examiner—Cathron B. Matta
Attorney, Agent, or Firm—Young & Thompson

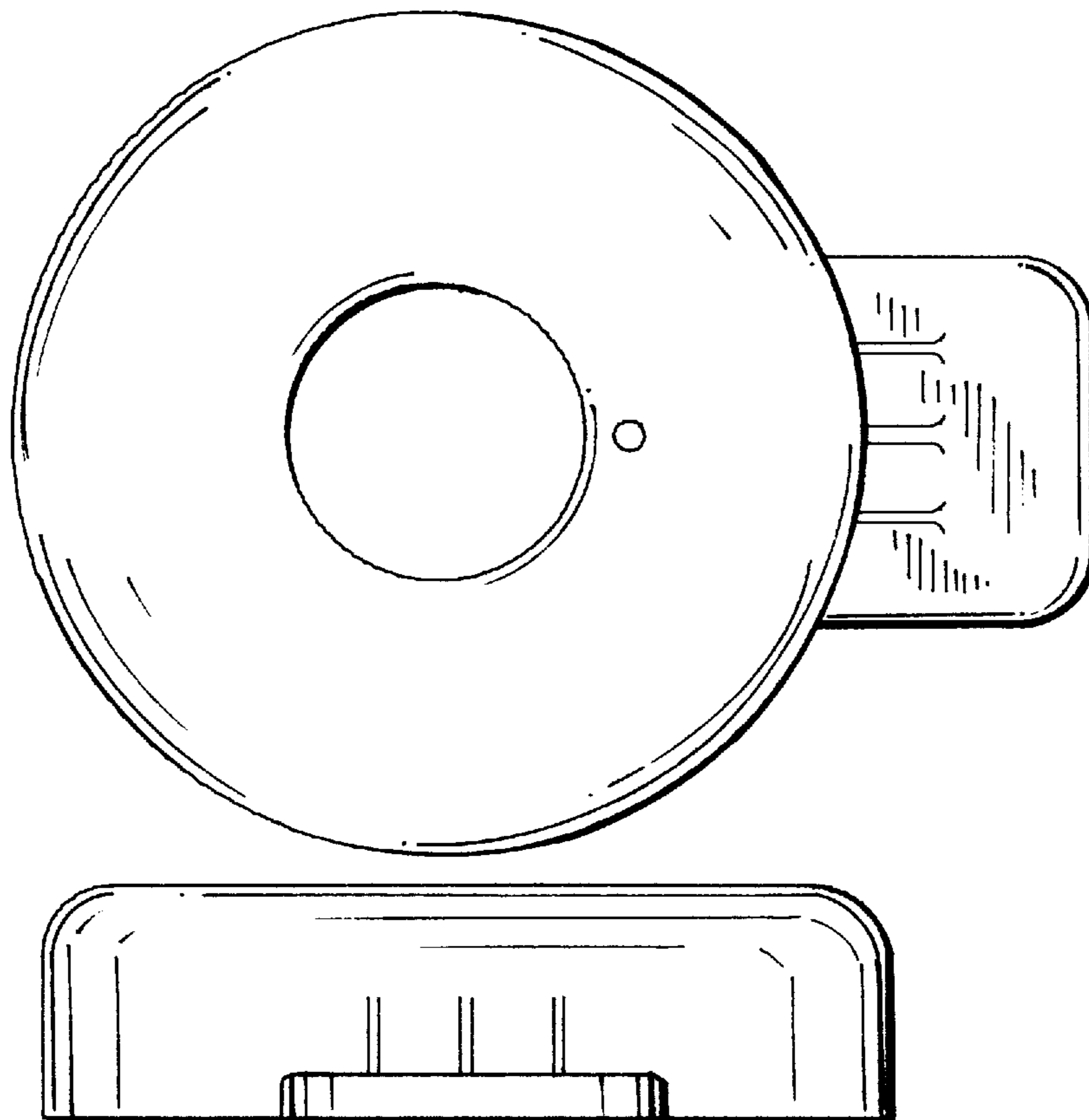
[57] CLAIM

The ornamental design for a teat cap for a bottle, as shown and described.

DESCRIPTION

FIG. 1 is a top plan view of a teat cap for a bottle;
FIG. 2 is a side elevation view in the direction of arrow A of FIG. 5, the opposite side view being a mirror image thereof;
FIG. 3 is a side elevation view in the direction of arrow B of FIG. 5;
FIG. 4 is a section view on line 4—4 of FIG. 5; and,
FIG. 5 is a bottom plan view.

1 Claim, 2 Drawing Sheets



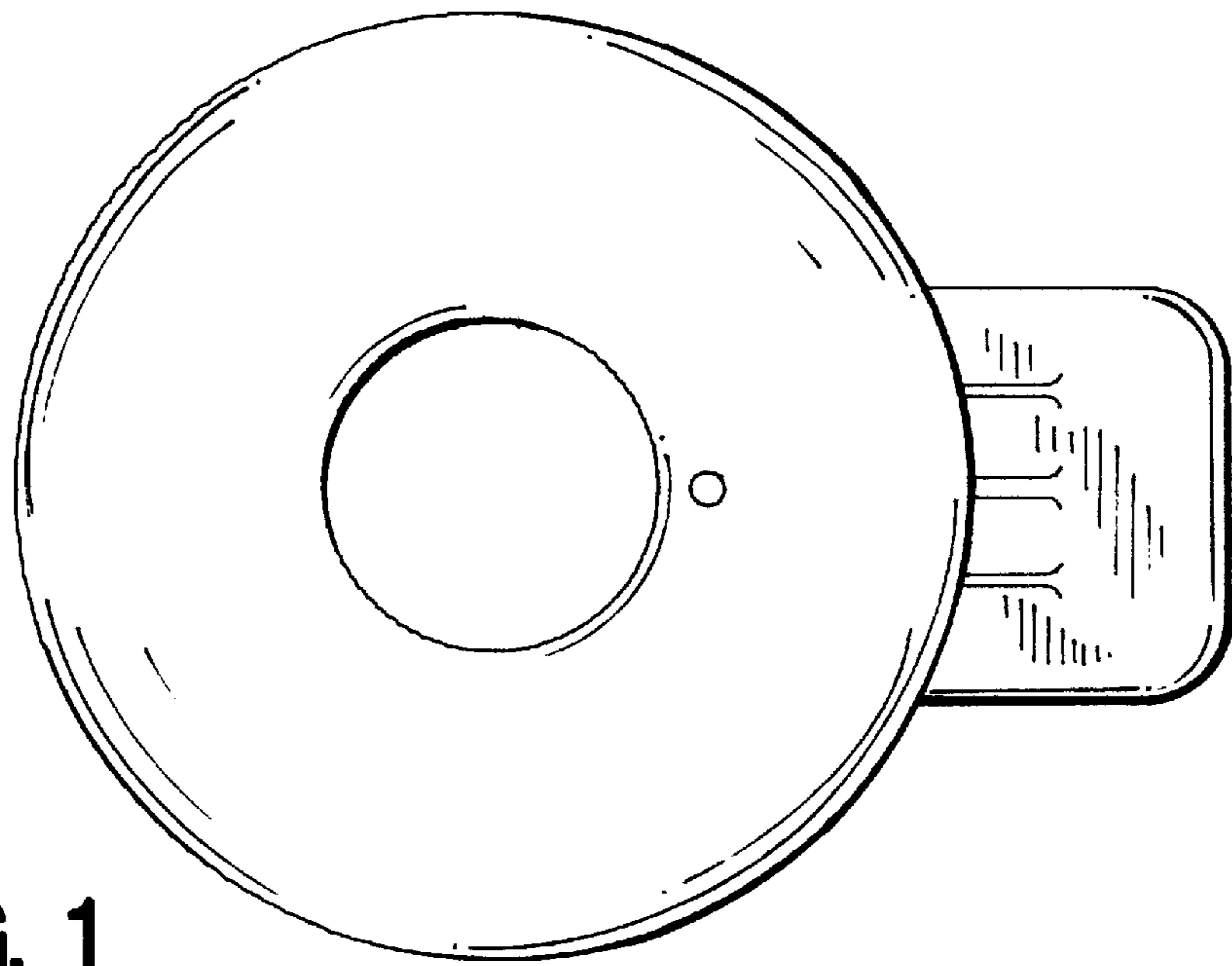


FIG. 1

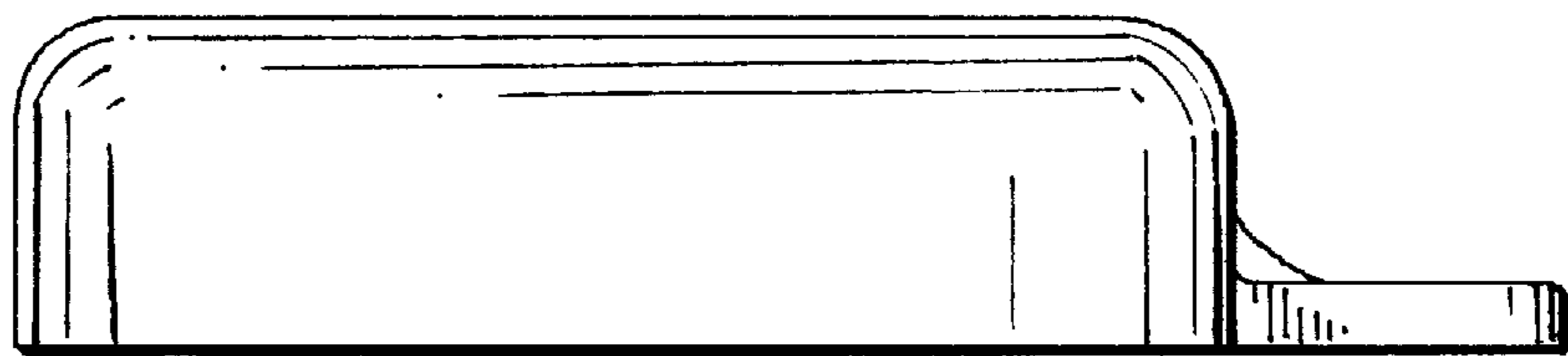


FIG. 2

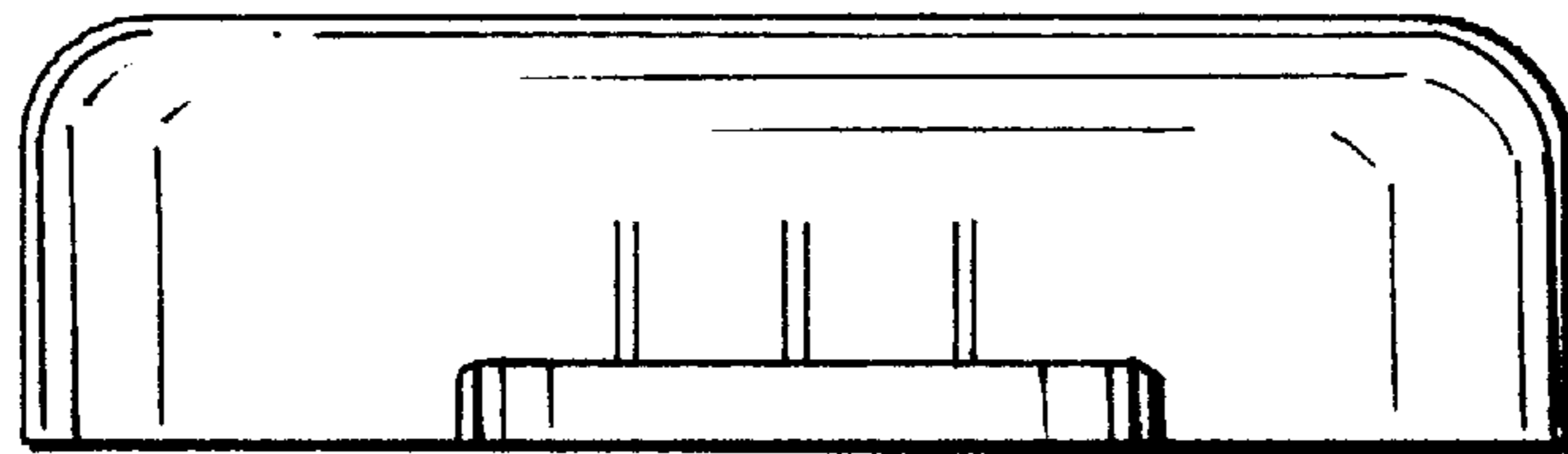


FIG. 3

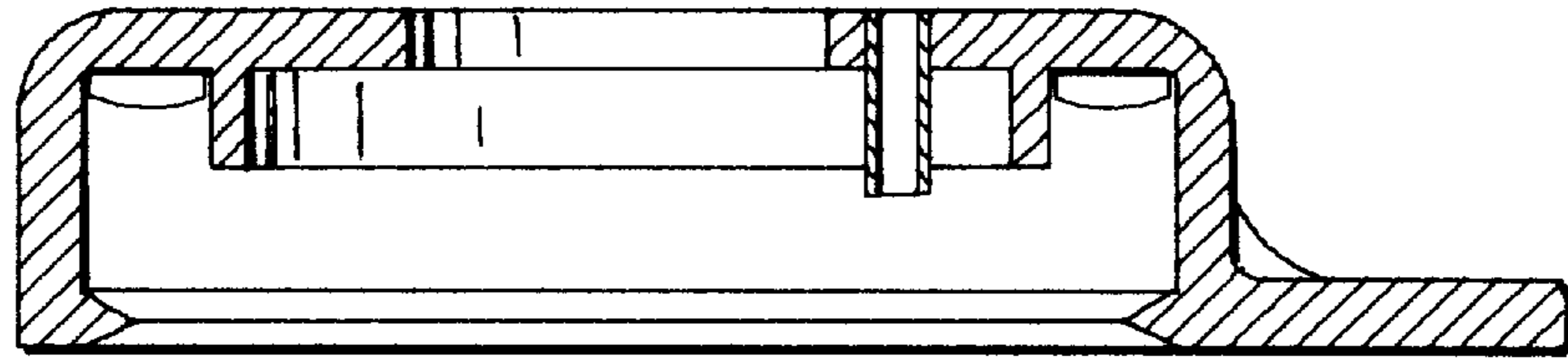


FIG. 4

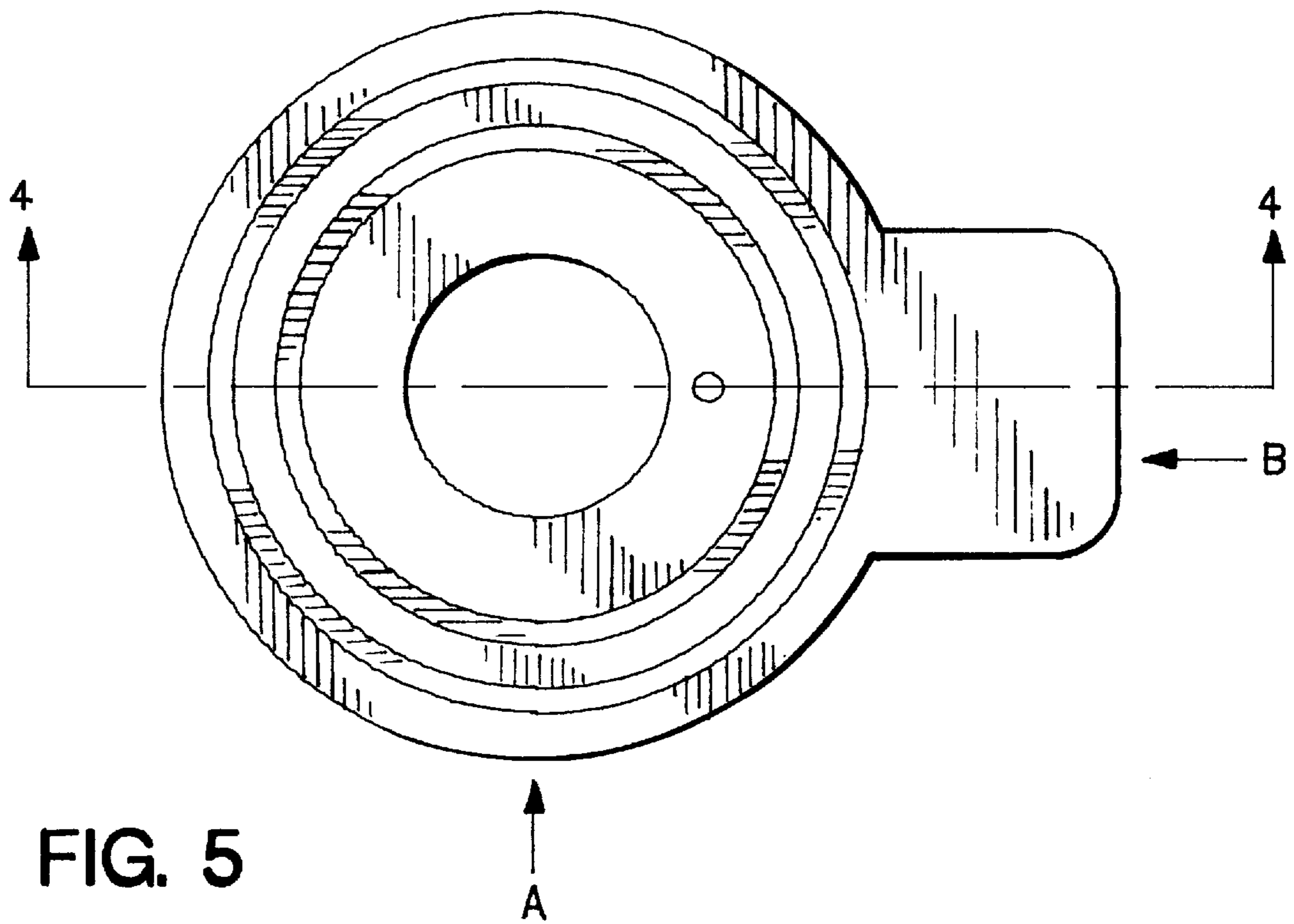


FIG. 5