



US00D398996S

**United States Patent** [19]  
**Simmons et al.**

[11] **Patent Number: Des. 398,996**

[45] **Date of Patent: \*\*Sep. 29, 1998**

- [54] **THREADED SCREW CANNULA**
- [75] Inventors: **Ricardo J. Simmons**, Franklin, Mass.;  
**Rebecca A. Blough**, Lincoln, R.I.;  
**Donald J. Fournier**, North Providence,  
R.I.
- [73] Assignee: **Smith & Nephew, Inc.**, Memphis,  
Tenn.
- [\*\*] Term: **14 Years**
- [21] Appl. No.: **67,417**
- [22] Filed: **Feb. 27, 1997**  
(Under 37 CFR 1.47)

**Related U.S. Application Data**

- [63] Continuation of Ser. No. 28,696, Sep. 20, 1994.
- [51] **LOC (6) Cl.** ..... **24-02**
- [52] **U.S. Cl.** ..... **D24/140; D24/146**
- [58] **Field of Search** ..... D24/140, 146;  
D8/107, 70, 140; 606/104, 96, 74, 72, 80,  
92

**References Cited**

**U.S. PATENT DOCUMENTS**

D. 291,246	8/1987	Lower	.....	D24/140
D. 354,810	1/1995	Nazre	.....	D24/140
D. 357,534	4/1995	Hayes	.....	D24/140
D. 358,645	5/1995	Ryan et al.	.....	D24/140
D. 359,557	6/1995	Hayes	.....	D24/140
3,892,232	7/1975	Neufeld	.....	128/92 EB
4,450,834	5/1984	Fischer	.....	128/92

4,450,835	5/1984	Asnis et al.	.....	128/92 EB
4,512,344	4/1985	Barber	.....	128/305
4,683,896	8/1987	Herbst et al.	.....	606/96 X
4,872,451	10/1989	Moore et al.	.....	128/92 YF
4,963,144	10/1990	Huene	.....	606/73
5,147,367	9/1992	Ellis	.....	606/96
5,211,647	5/1993	Schmieding	.....	606/104
5,431,651	7/1995	Goble	.....	606/96 X

**OTHER PUBLICATIONS**

Femoral Guide, Linvatec publication [prior to Oct. 20, 1992].  
 Clear-Trac Cannula, Acufex brochure, Aug. 1993, and sketch of earlier version with handle.  
 Photograph of Acufex 7mm ACL Cannula first sold May 3, 1994.  
 "Arthroscopy of the Shoulder", H. Resch and E. Beck (eds.), Figs. 28 and 92, 1992.

*Primary Examiner*—Doris Clark  
*Attorney, Agent, or Firm*—Fish & Richardson P.C.

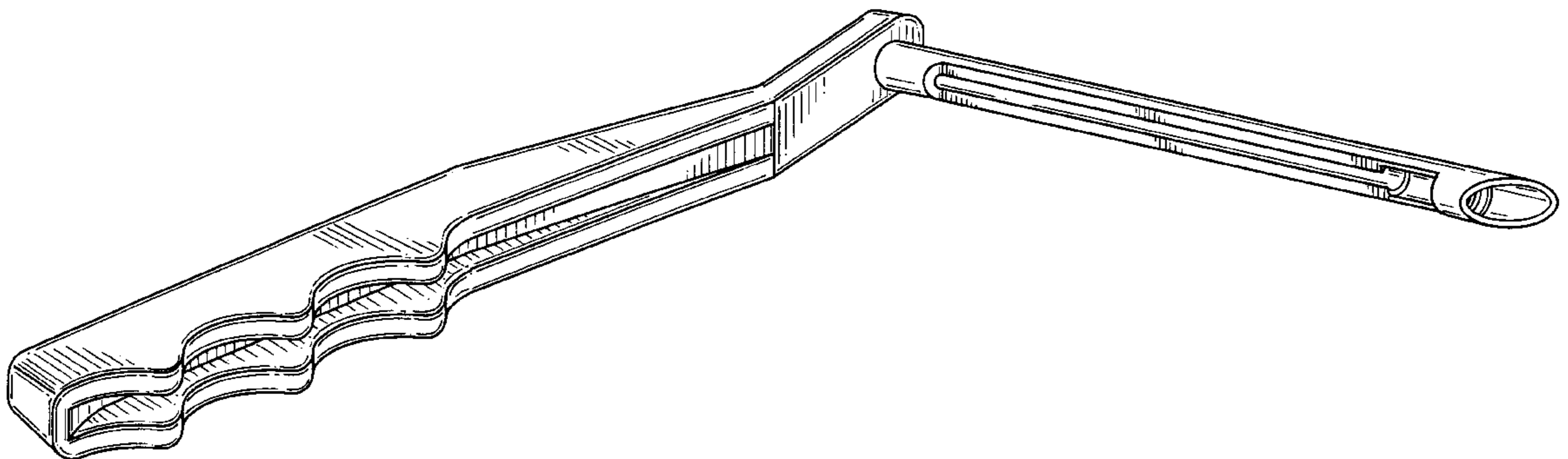
[57] **CLAIM**

The ornamental design for a threaded screw cannula, as shown and described.

**DESCRIPTION**

FIG. 1 is a perspective view of a threaded screw cannula showing our new design;  
 FIG. 2 is a bottom plan view thereof;  
 FIG. 3 is a top plan view thereof;  
 FIG. 4 is a side elevational view thereof;  
 FIG. 5 is a front end elevational view thereof; and,  
 FIG. 6 is a back elevational view thereof.

**1 Claim, 4 Drawing Sheets**



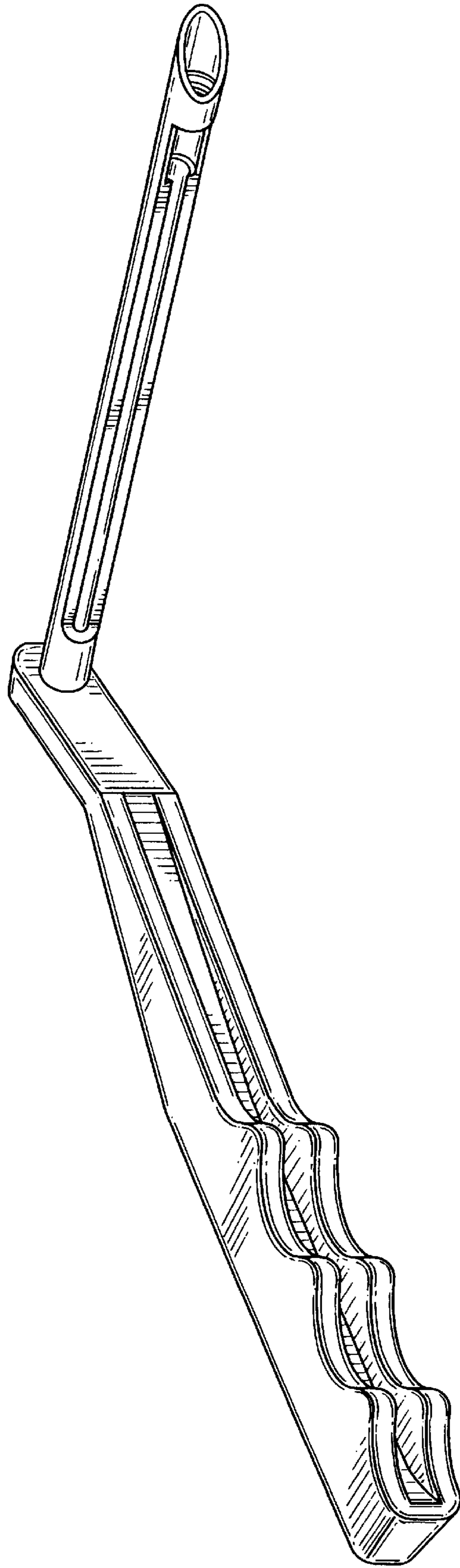


FIG--1

FIG-2

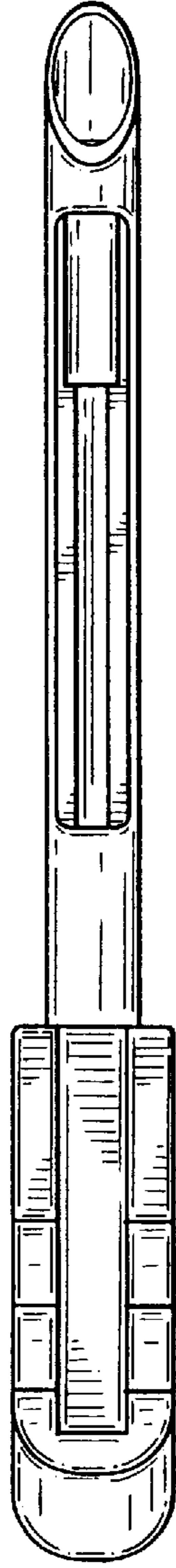
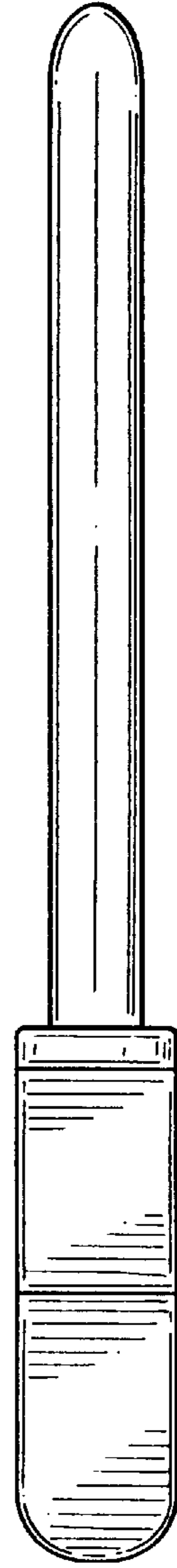


FIG-3



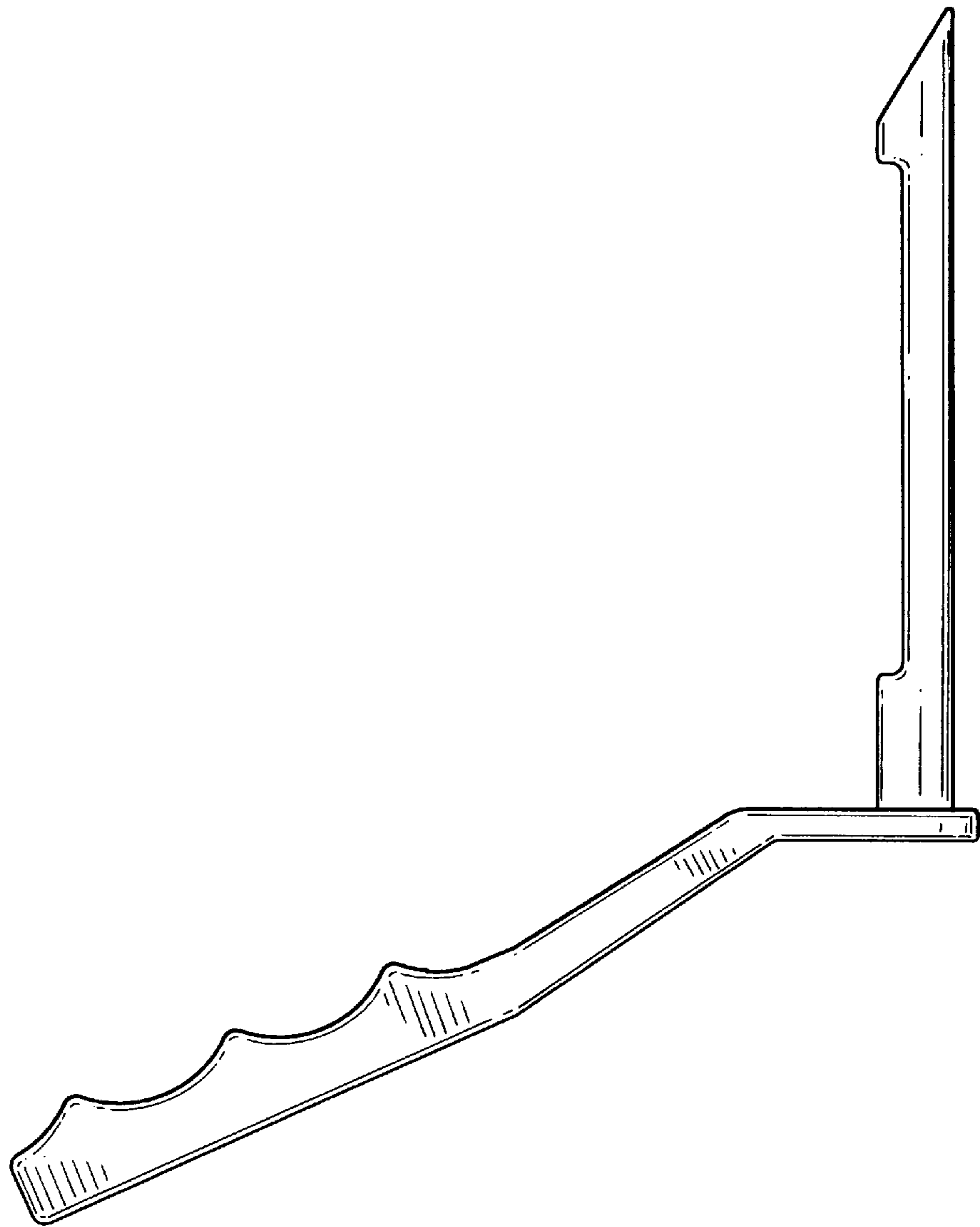


FIG--4

FIG-6



FIG-5

