



US00D398993S

# United States Patent [19]

Jones

[11] **Patent Number: Des. 398,993**

[45] **Date of Patent: \*\*Sep. 29, 1998**

[54] **SPECIMEN CUP**

[76] Inventor: **Timothy B. Jones**, 3525 Huntsman Ct.,  
Edmond, Okla. 73003

[\*\*] Term: **14 Years**

[21] Appl. No.: **73,452**

[22] Filed: **Jul. 10, 1997**

[51] **LOC (6) Cl.** ..... **24-04**

[52] **U.S. Cl.** ..... **D24/122; D24/121; D24/128**

[58] **Field of Search** ..... **D24/122, 112,**  
**D24/128, 127, 121; 206/363; 604/356,**  
**317, 318; D7/691**

[56] **References Cited**

**U.S. PATENT DOCUMENTS**

D. 353,669	12/1994	Jones et al.	.....	D24/122
D. 359,883	7/1995	Suarez	.....	D24/122
D. 368,135	3/1996	Vasai	.....	D24/122
D. 379,655	6/1997	Savignac	.....	D24/122

**OTHER PUBLICATIONS**

Savory Catalog p. 53, "Windsor" dipper, Dec. 1939.

*Primary Examiner*—Louis S. Zarfaz

*Assistant Examiner*—G. Andoll

[57] **CLAIM**

The ornamental design for a specimen cup, as shown and described.

**DESCRIPTION**

FIG. 1 is a front top perspective view of a specimen cup showing my new design, the rear top perspective view is a mirror image thereof;

FIG. 2 is a front elevational view thereof;

FIG. 3 is a rear elevational view thereof;

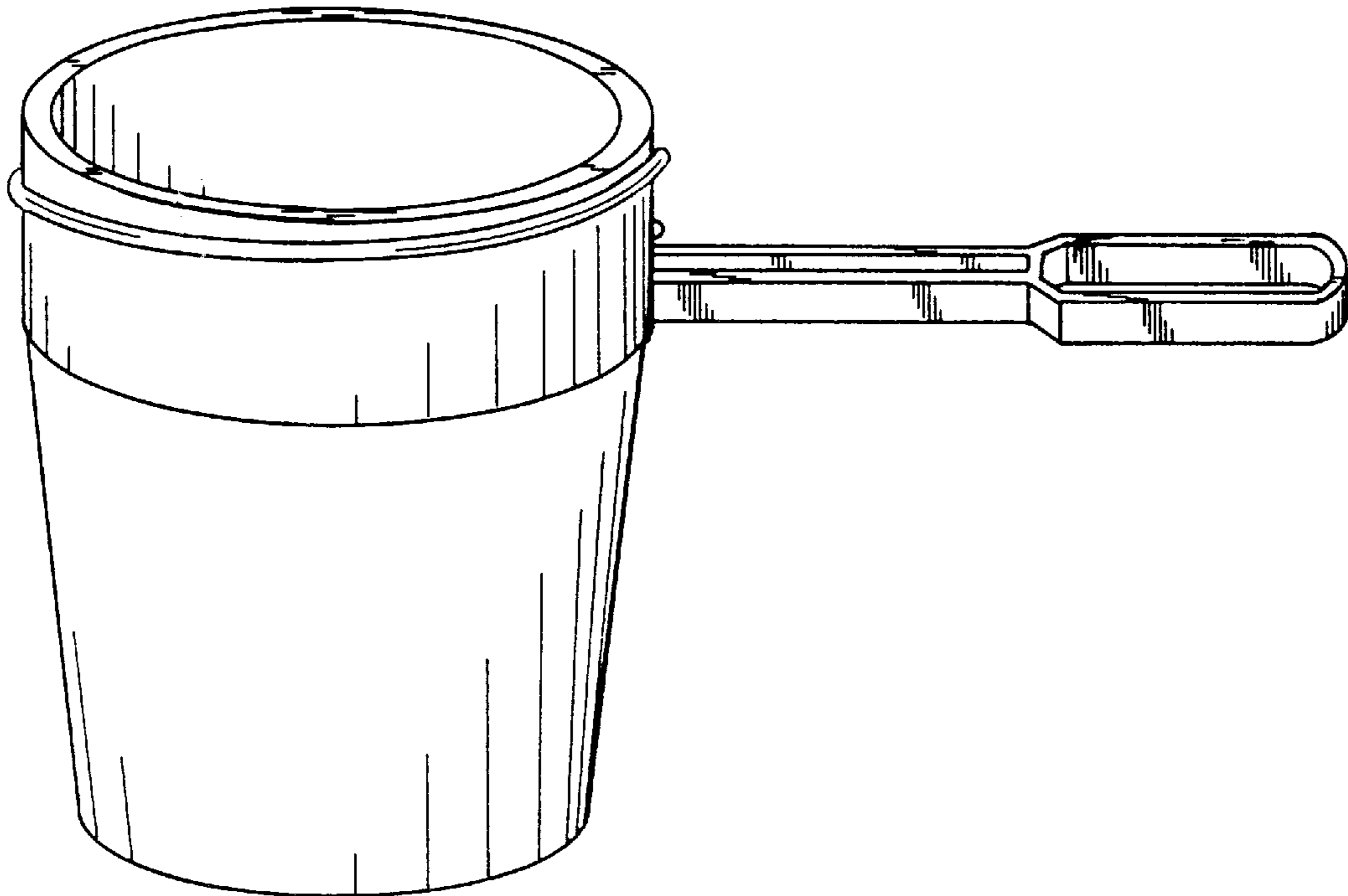
FIG. 4 is a bottom plan view thereof;

FIG. 5 is a top plan view thereof;

FIG. 6 is a side elevational view thereof; and,

FIG. 7 is a side elevational view thereof, opposite that shown in FIG. 6.

**1 Claim, 3 Drawing Sheets**



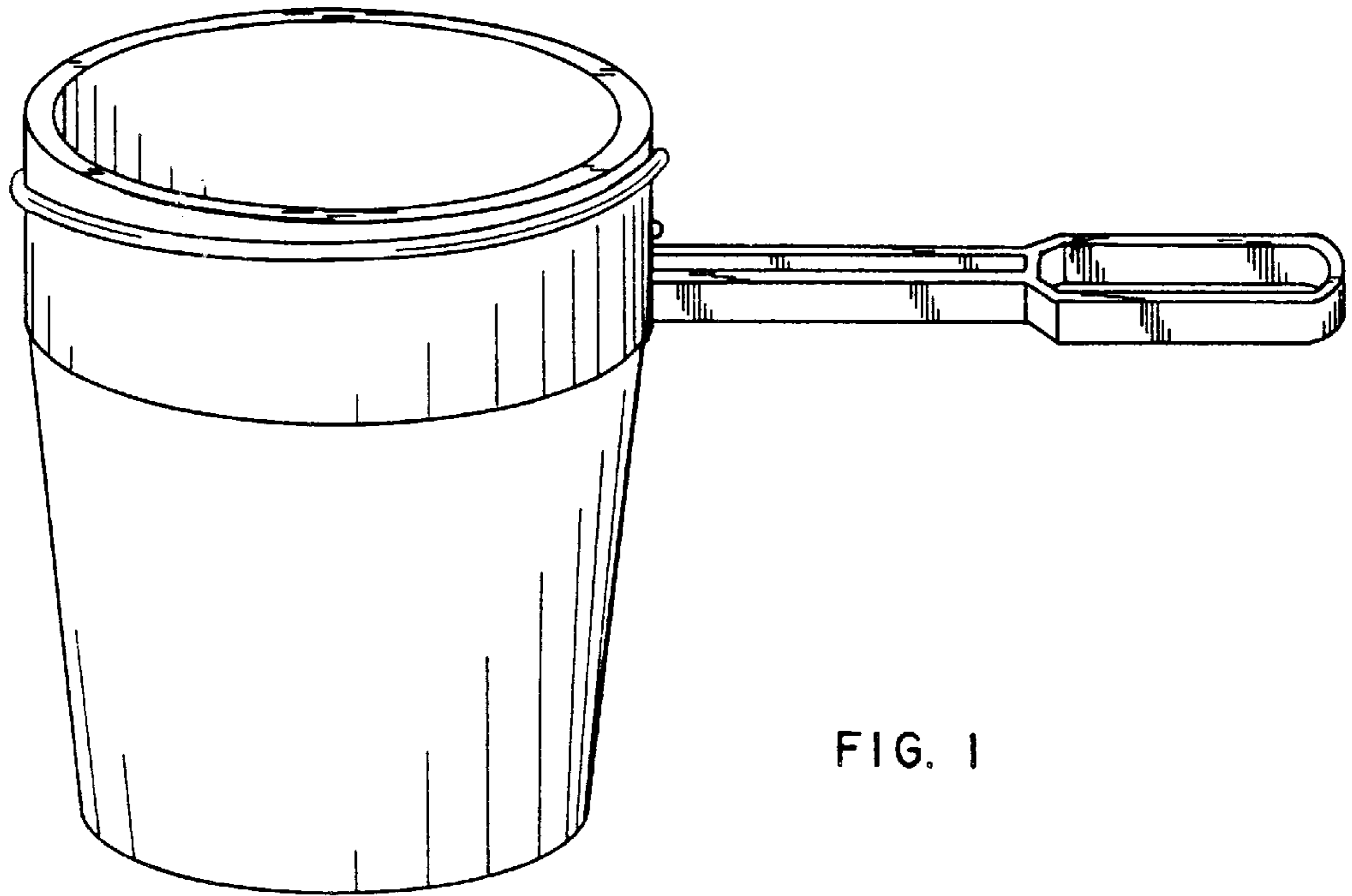


FIG. 1

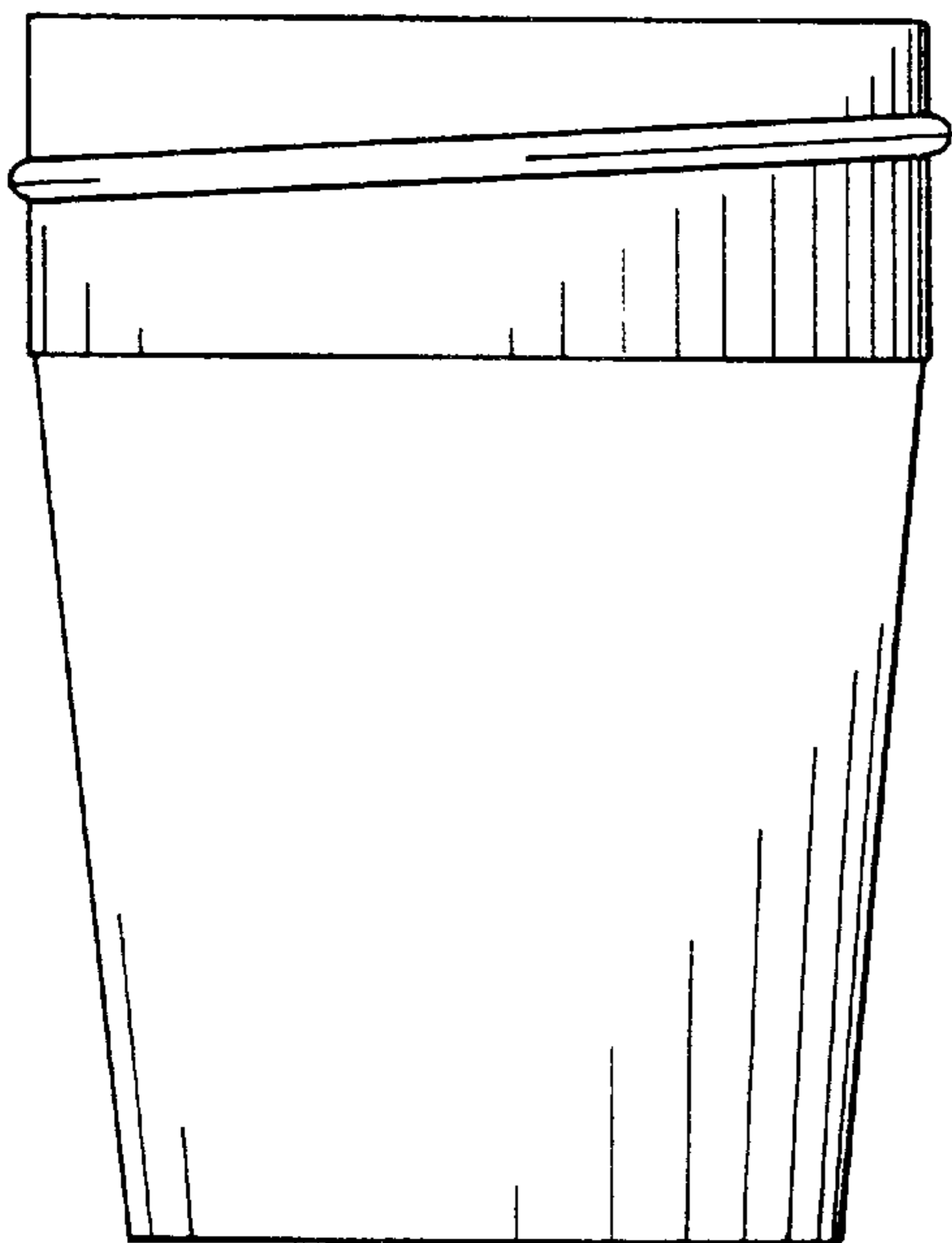


FIG. 2

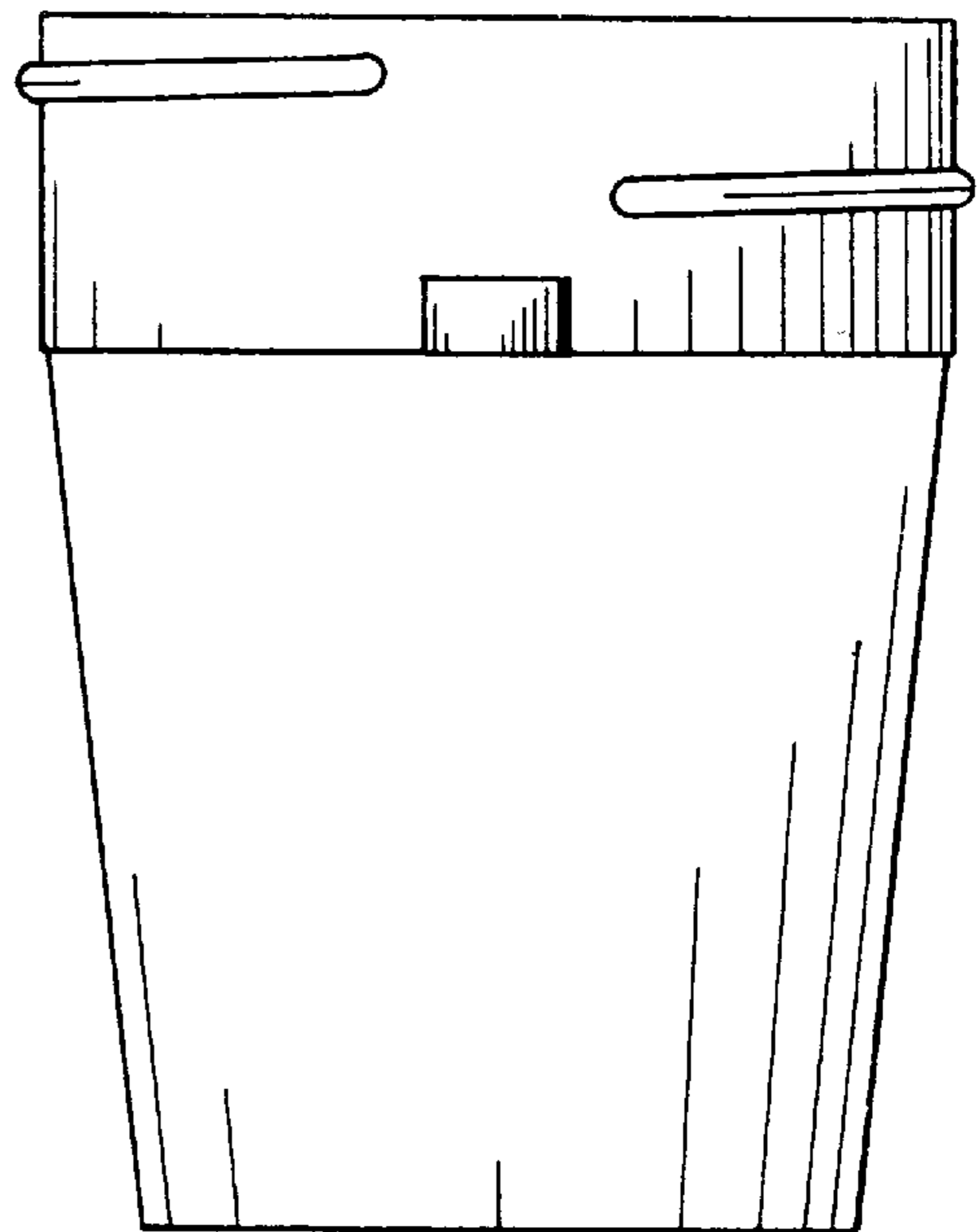


FIG. 3

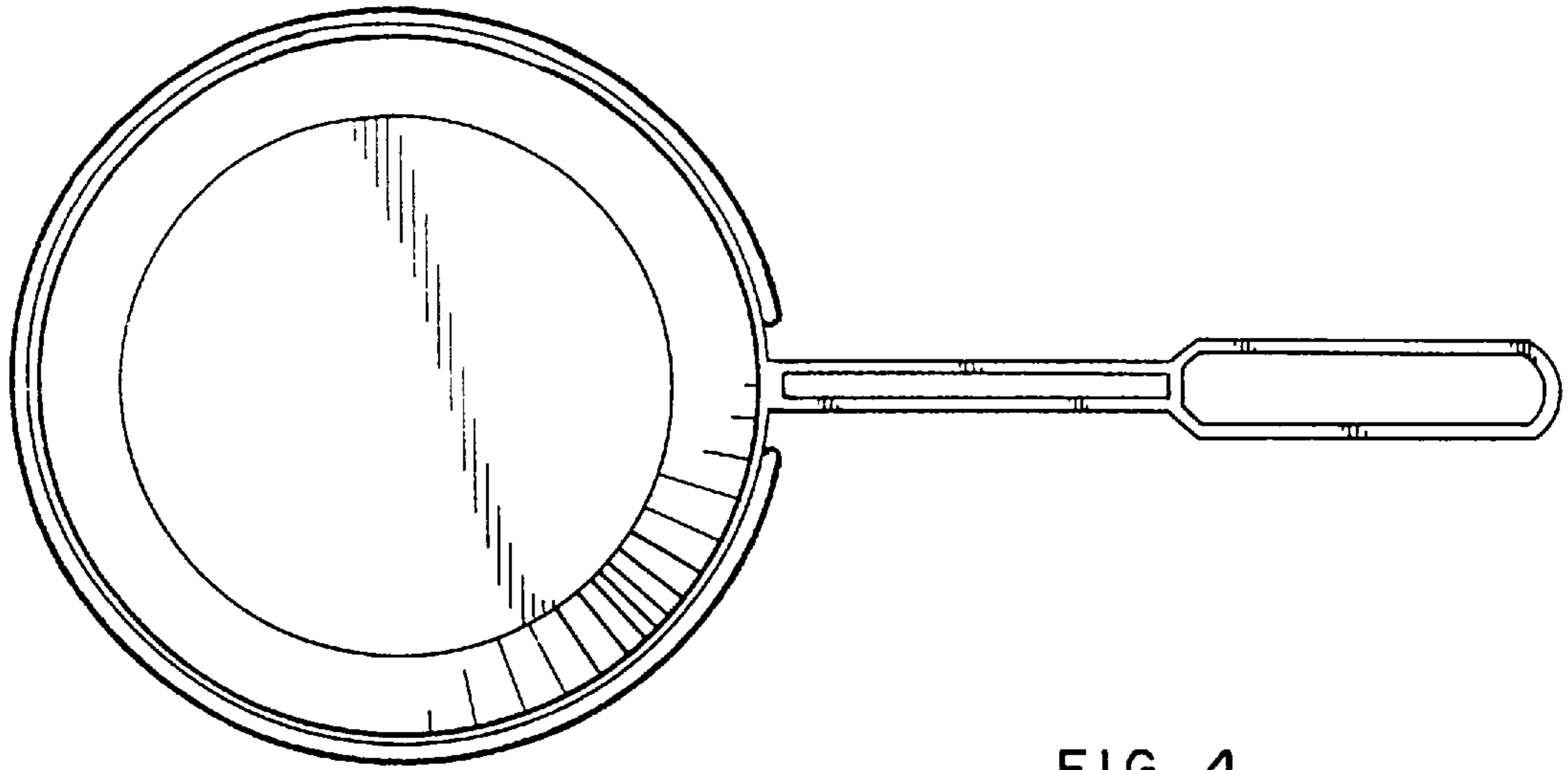


FIG. 4

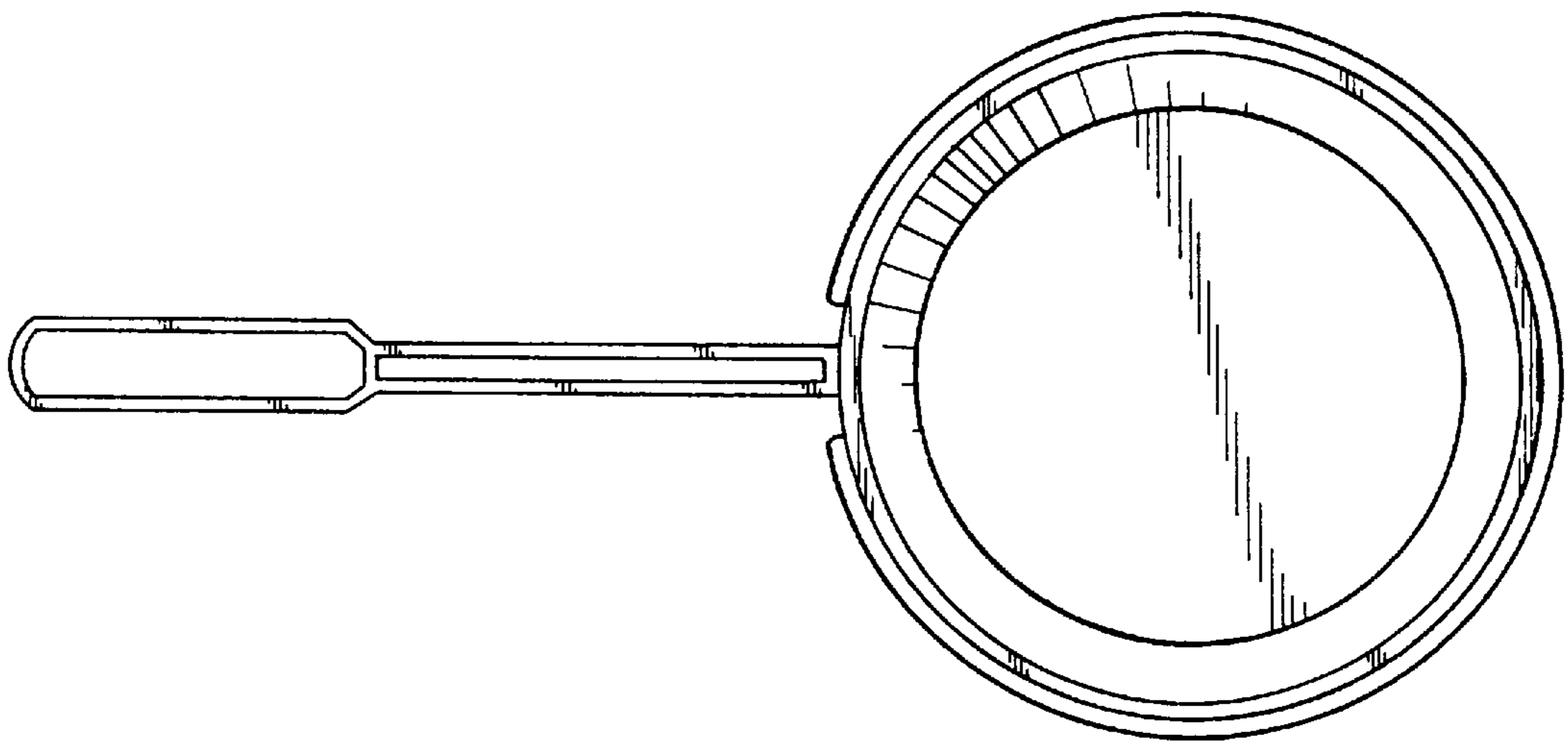


FIG. 5

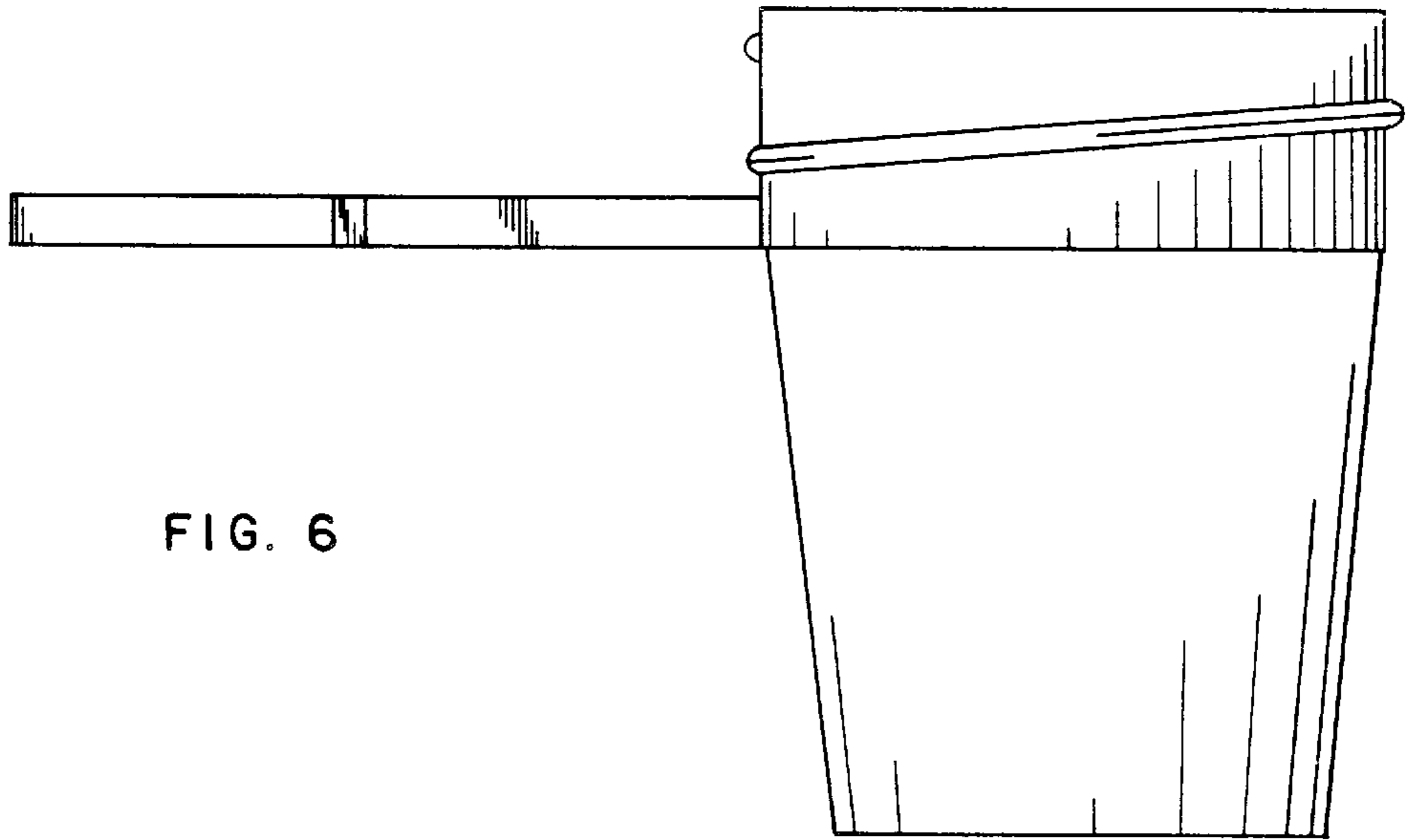


FIG. 6

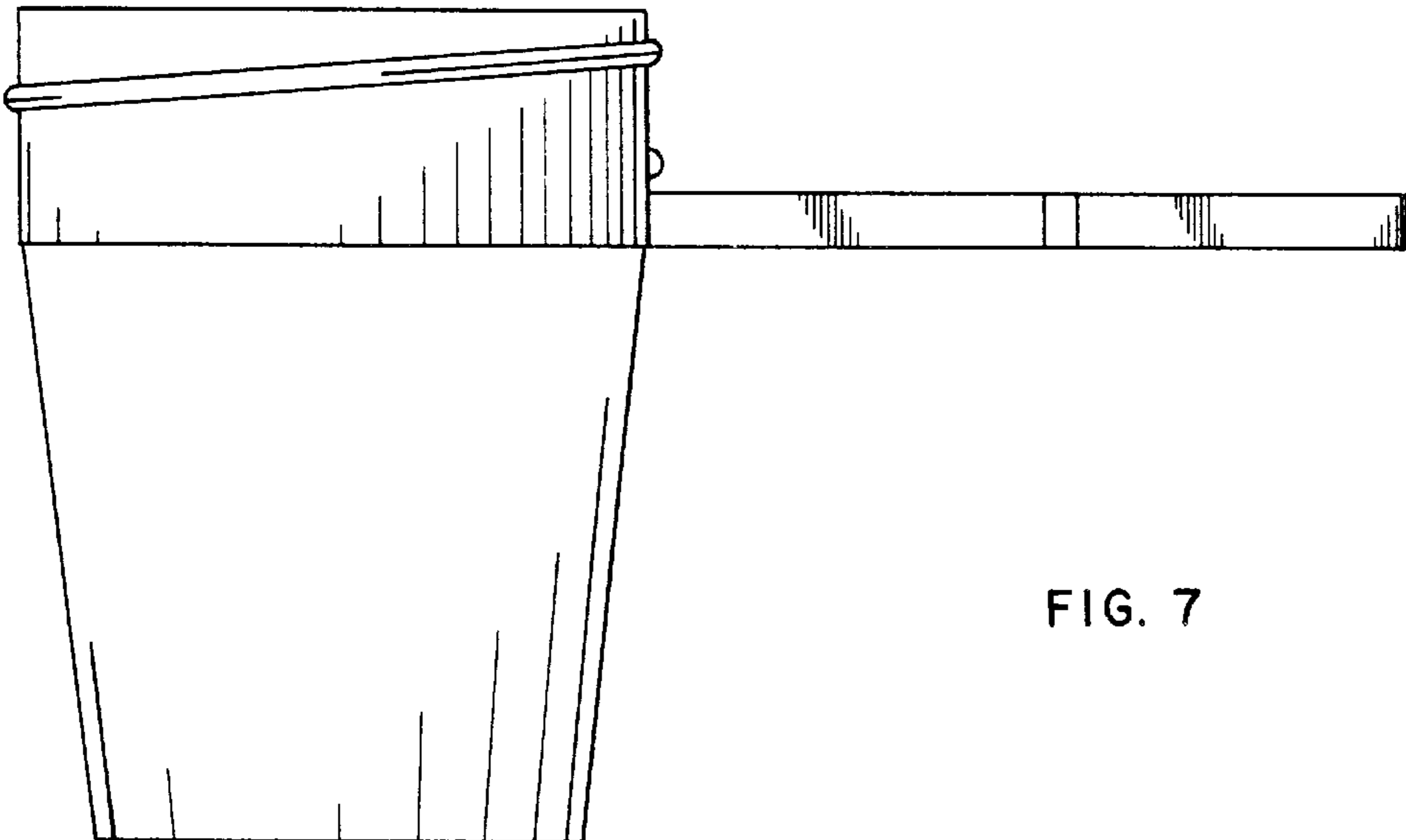


FIG. 7