



US00D398992S

# United States Patent [19] Ferret

[11] **Patent Number: Des. 398,992**  
[45] **Date of Patent: \*\*Sep. 29, 1998**

[54] **NASAL INHALER**  
[75] **Inventor: Ronald M. Feret, Bartlett, Tenn.**  
[73] **Assignee: Schering-Plough HealthCare Products, Inc., Memphis, Tenn.**  
[\*\*] **Term: 14 Years**

5,479,944 1/1996 Petruson .  
5,533,499 7/1996 Johnson .  
5,533,503 7/1996 Doubek et al. .  
5,546,929 8/1996 Muchin .  
5,549,103 8/1996 Johnson .  
5,553,605 9/1996 Muchin .  
5,611,333 3/1997 Johnson .  
5,653,224 8/1997 Johnson .

[21] **Appl. No.: 78,326**  
[22] **Filed: Oct. 21, 1997**

### FOREIGN PATENT DOCUMENTS

398989 7/1924 Germany ..... 128/204.12  
289561 10/1985 Spain .

### Related U.S. Application Data

[63] Continuation of Ser. No. 56,361, Jun. 27, 1996, abandoned.  
[51] **LOC (6) Cl. .... 24-04**  
[52] **U.S. Cl. .... D24/119**  
[58] **Field of Search ..... D24/189, 119, D24/110, 133, 136; 128/204.12, 204.13; 602/41, 42, 43, 46, 48; D9/345, 415**

*Primary Examiner*—Pamela Burgess  
*Attorney, Agent, or Firm*—Joseph T. Majka

### [57] CLAIM

The ornamental design for a nasal inhaler, as shown and described.

### DESCRIPTION

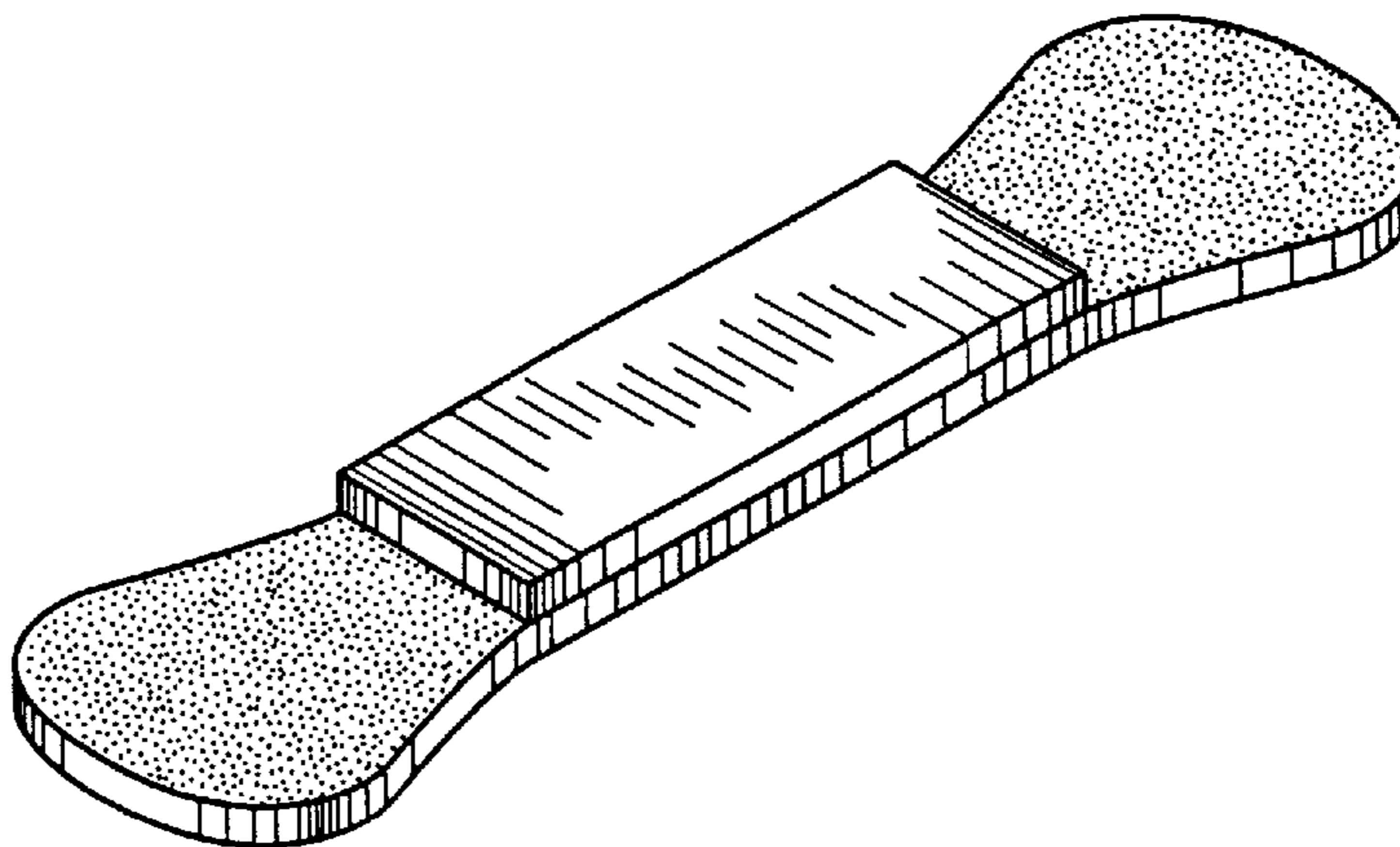
FIG. 1 is a top perspective view of a nasal inhaler;  
FIG. 2 is a bottom perspective view thereof;  
FIG. 3 is a top plan view thereof;  
FIG. 4 is a bottom plan view thereof;  
FIG. 5 is a side elevational view thereof, the undisclosed side being a mirror image; and,  
FIG. 6 is an end elevational view thereof, the undisclosed end being a mirror image.

### [56] References Cited

#### U.S. PATENT DOCUMENTS

D. 274,098 5/1984 Kaufman ..... D24/119  
700,528 5/1902 Maurer ..... 128/204.12  
2,277,390 3/1942 Crespo ..... 128/204.12  
4,390,519 6/1983 Sawyer ..... D24/189 X  
4,955,945 9/1990 Weick ..... 128/204.12  
5,429,589 7/1995 Cartmell et al. .... 602/42  
5,476,091 12/1995 Johnson .

**1 Claim, 1 Drawing Sheet**



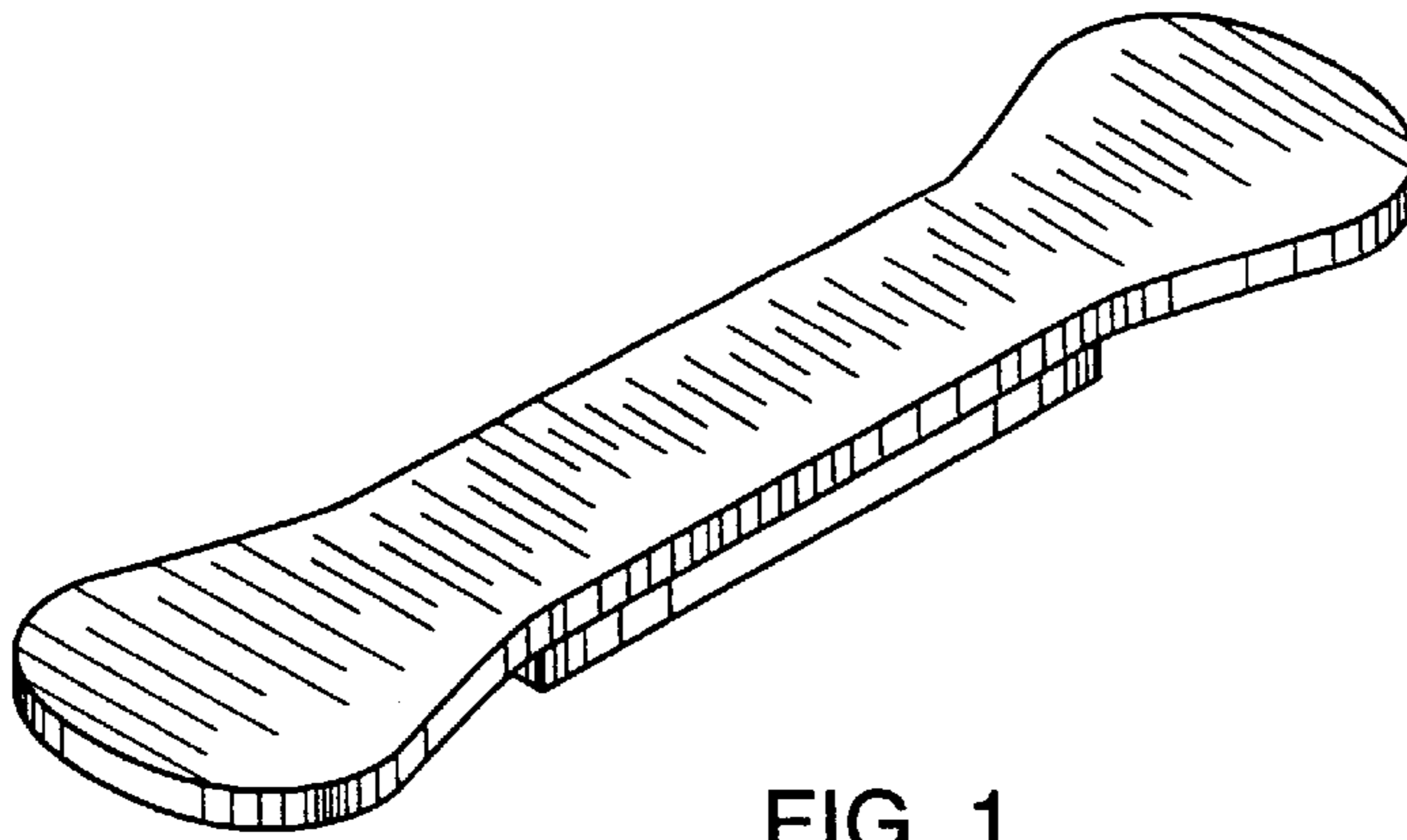


FIG. 1

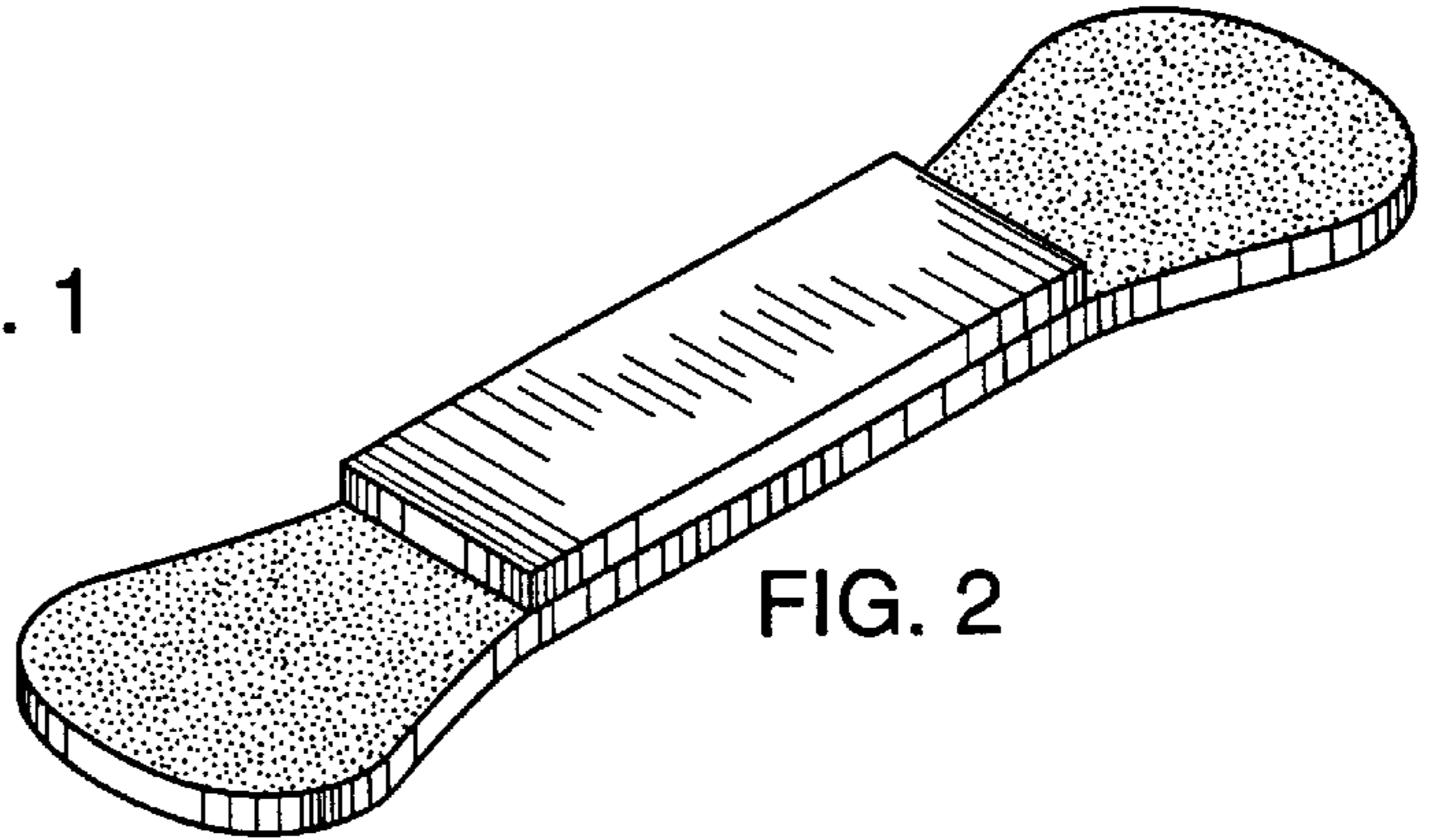


FIG. 2

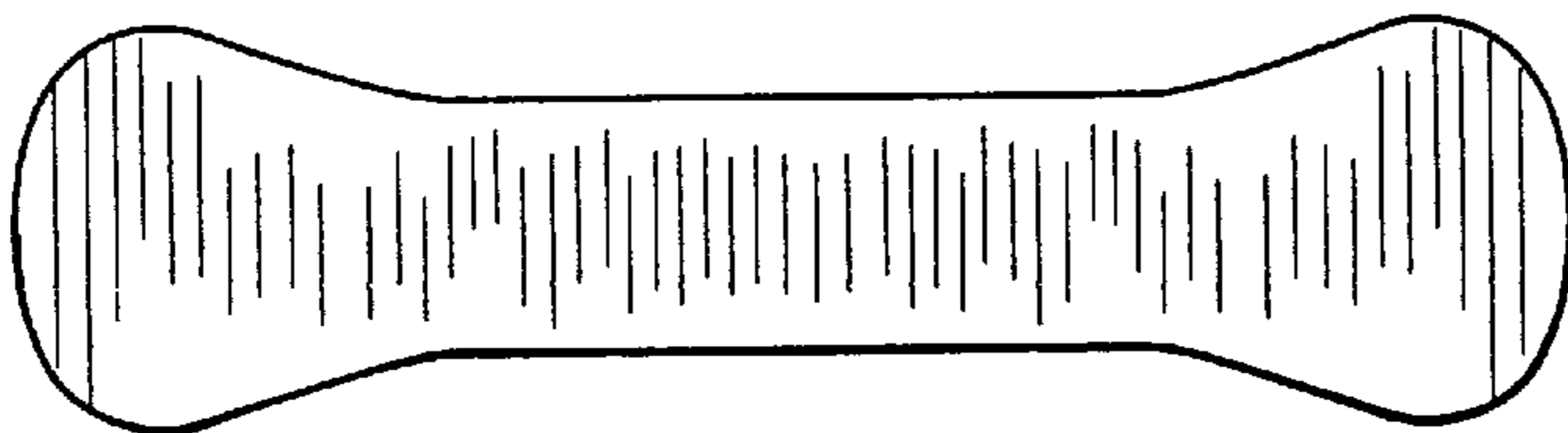


FIG. 3

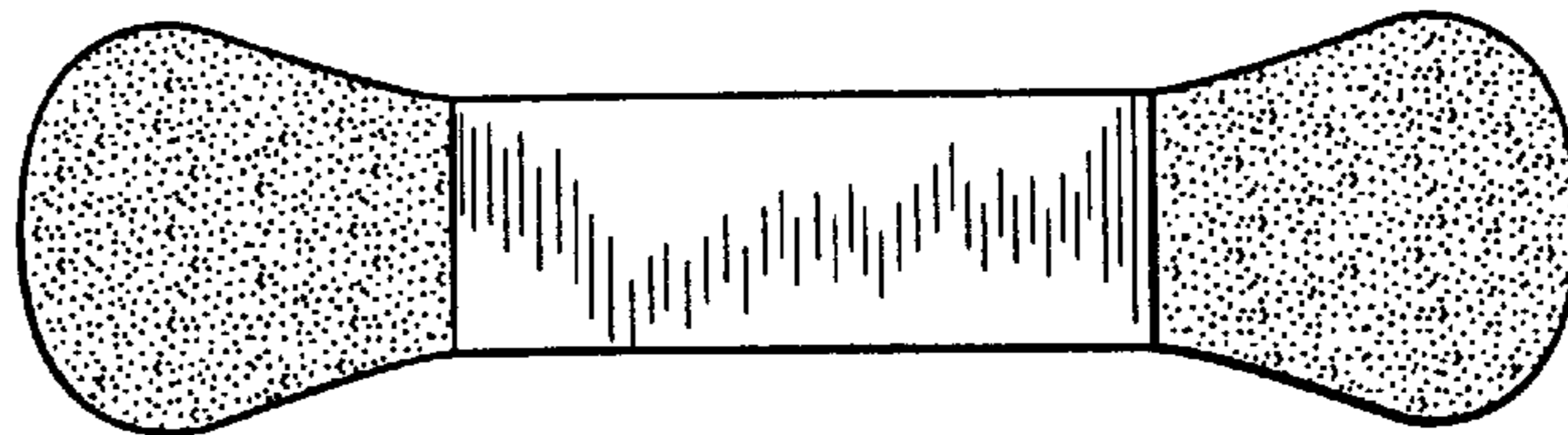


FIG. 4

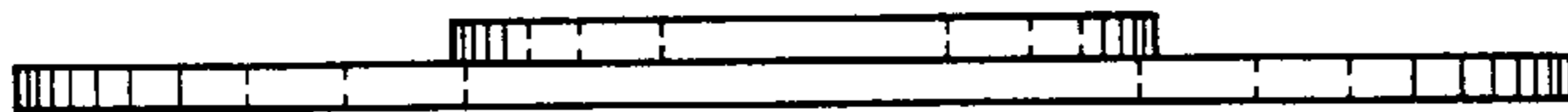


FIG. 5



FIG. 6