



US00D398985S

United States Patent [19]

Piontek et al.

[11] **Patent Number: Des. 398,985**

[45] **Date of Patent: **Sep. 29, 1998**

[54] **FLUID DELIVERY SET**

[75] Inventors: **Carl Joseph Piontek**, Powell; **Robert Donald Clegg**, Pickerington; **Bradford Lynn Buck**, Gahanna; **Matthew Scott Fleming**, Columbus; **Grant Richard Wilson**, Columbus; **William Edward Patton**, Dublin, all of Ohio

[73] Assignee: **Abbott Laboratories**, Abbott Park, Ill.

[**] Term: **14 Years**

[21] Appl. No.: **44,273**

[22] Filed: **Sep. 21, 1995**

[51] **LOC (6) Cl.** **23-01**

[52] **U.S. Cl.** **D24/108**

[58] **Field of Search** D24/108, 111, D24/112, 118, 107, 129, 169, 162, 164; 604/283, 284, 403, 410, 412, 413, 905; 128/764, 763, 765, 766

[56] **References Cited**

U.S. PATENT DOCUMENTS

D. 237,549 11/1975 Tillander et al. D24/115

5,057,081 10/1991 Sunderland 604/153
5,259,843 11/1993 Watanabe et al. 604/905 X
5,269,317 12/1993 Bennett 128/760
5,492,531 2/1996 Post et al. 604/905 X

Primary Examiner—Pamela Burgess
Attorney, Agent, or Firm—Brian R. Woodworth

[57] **CLAIM**

The ornamental design for a fluid delivery set, as shown and described.

DESCRIPTION

FIG. 1 is a perspective view of a fluid delivery set showing our new design;

FIG. 2 is a front elevation view thereof;

FIG. 3 is a top view thereof;

FIG. 4 is a left side elevation view thereof;

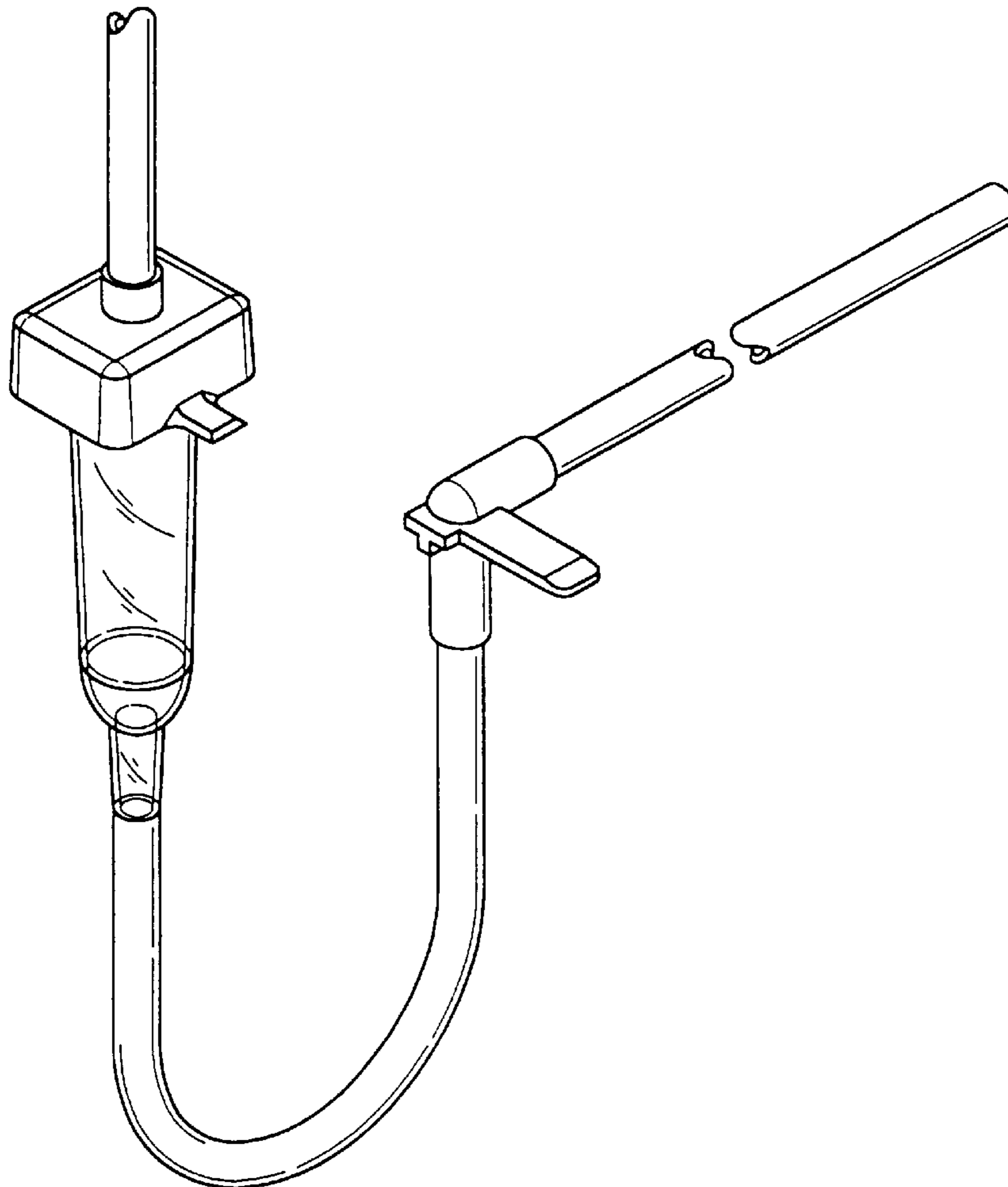
FIG. 5 is a right side elevation view thereof;

FIG. 6 is a rear elevation view thereof; and,

FIG. 7 is a bottom view thereof.

It is understood that the broken-away portion of the tubing represents an indeterminate length.

1 Claim, 3 Drawing Sheets



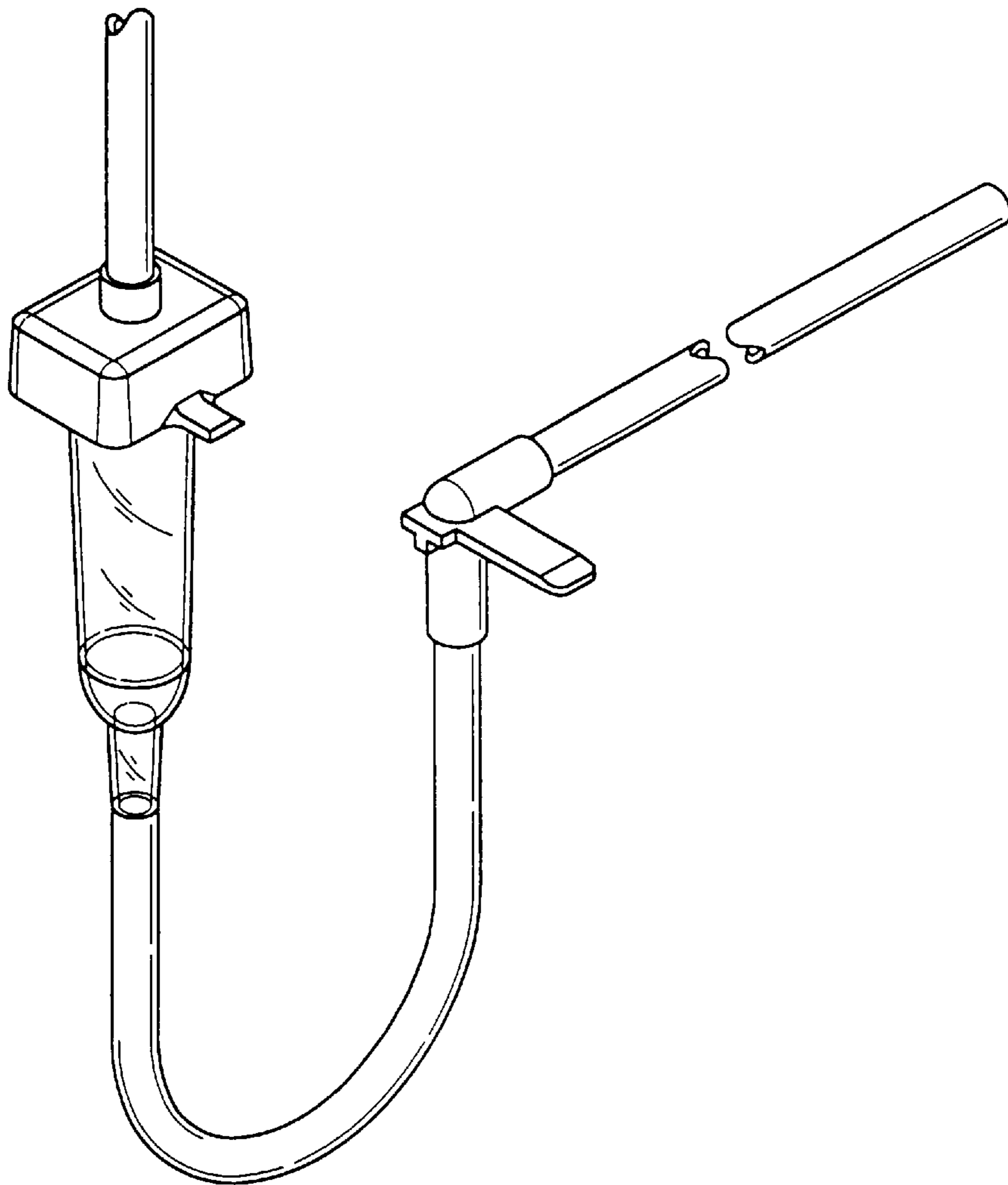


FIG. 1

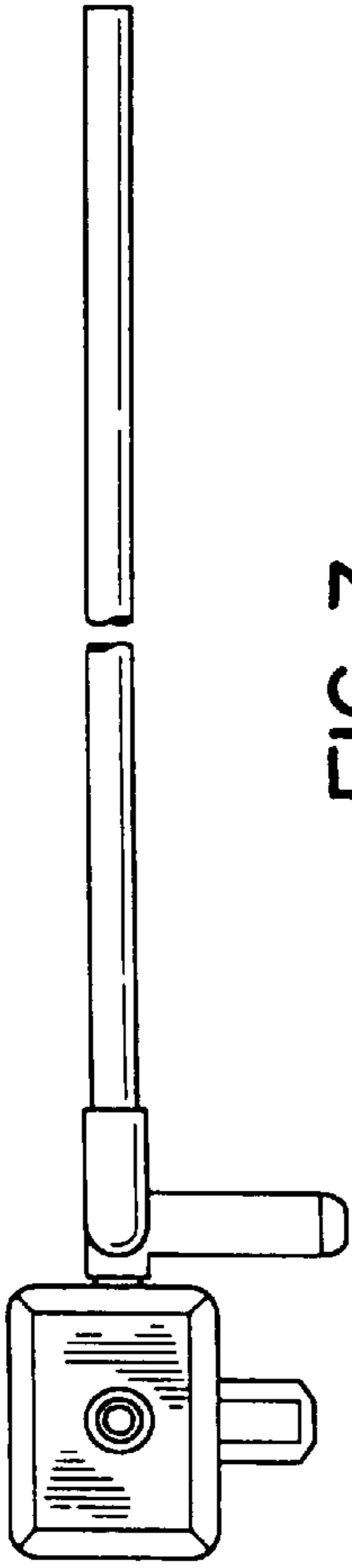


FIG. 3

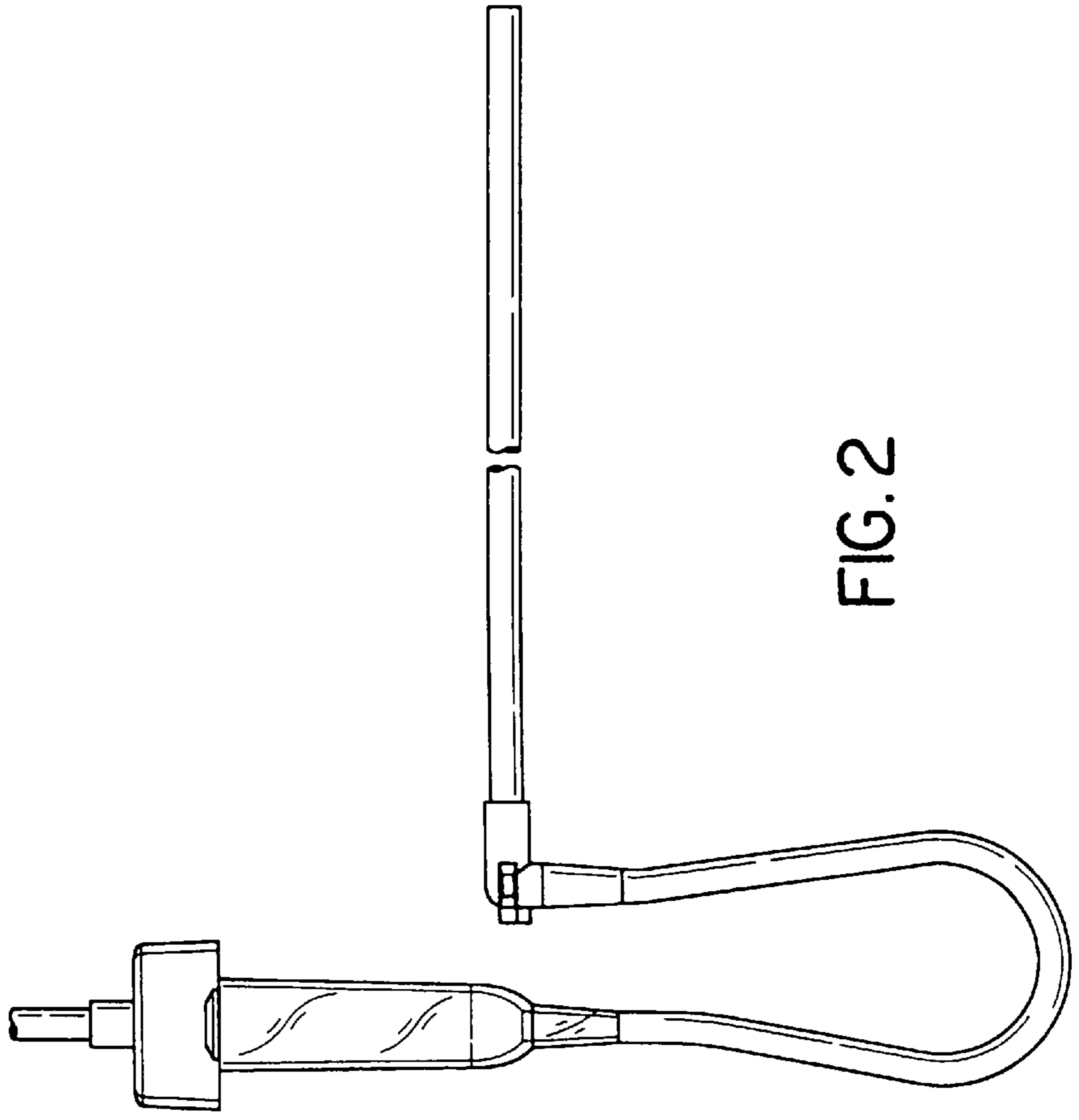


FIG. 2

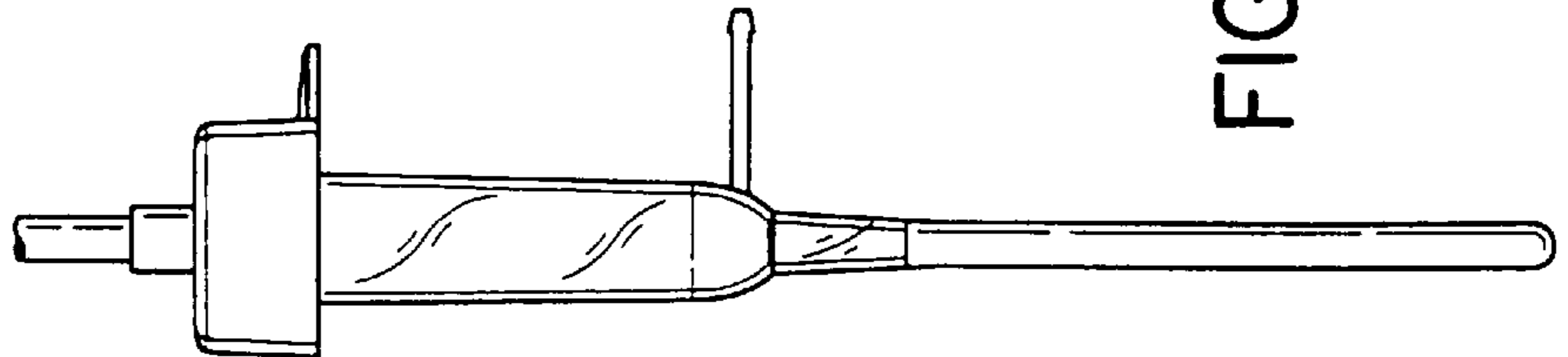


FIG. 4

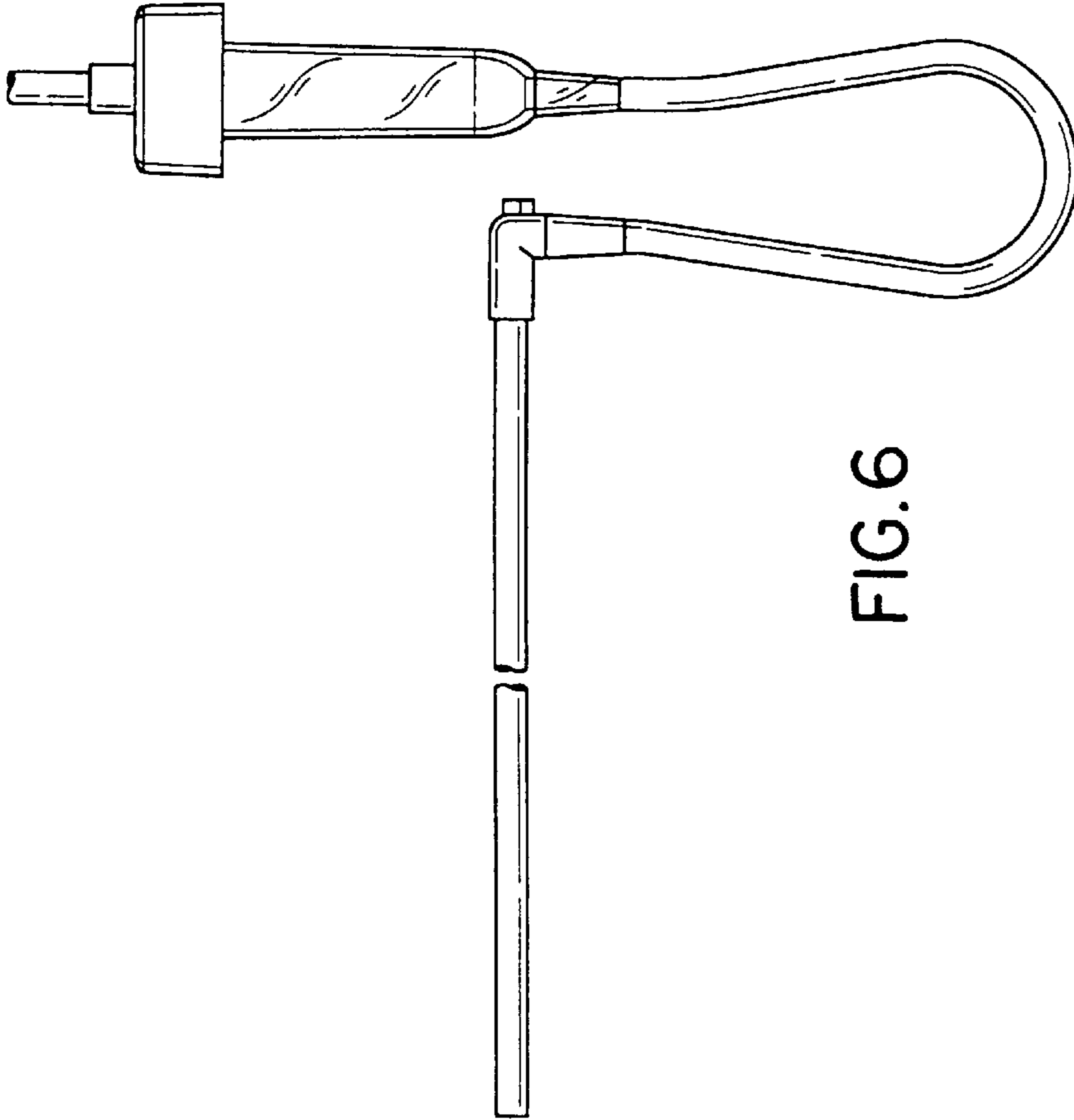


FIG. 6

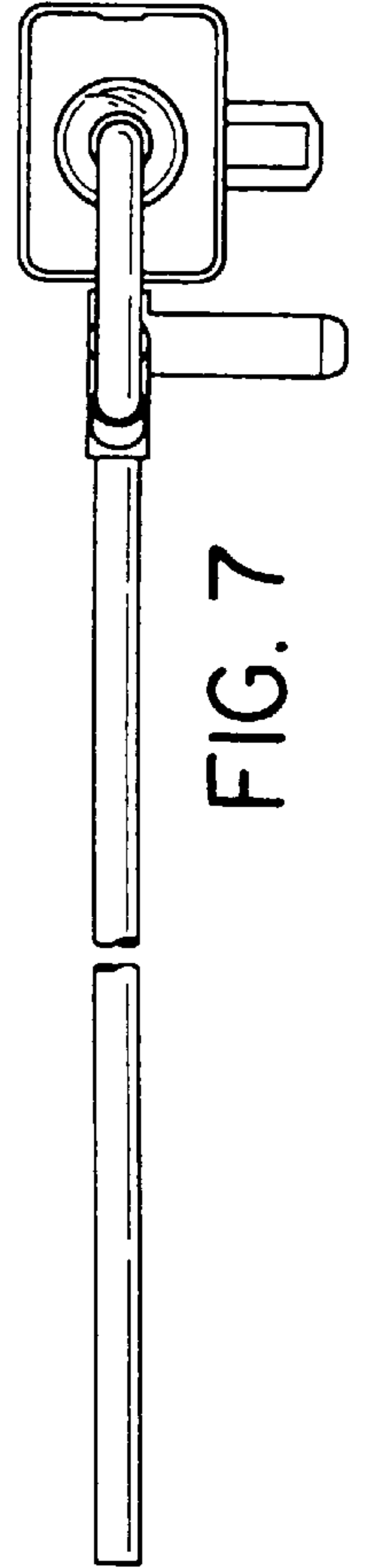


FIG. 7

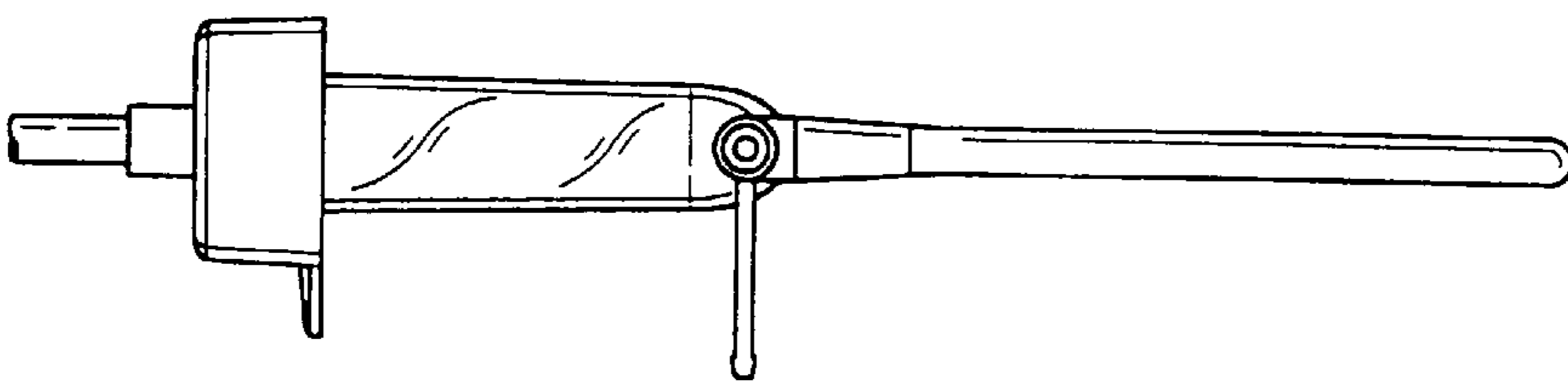


FIG. 5