



US00D398984S

**United States Patent** [19]  
**Freeman**

[11] **Patent Number: Des. 398,984**

[45] **Date of Patent: \*\*Sep. 29, 1998**

[54] **FAN ADAPTER FOR AUTOMOBILE FAN CLUTCH REPLACEMENT**

[76] Inventor: **Eric D. Freeman**, 2425 McLean Rd., Charlotte, N.C. 28213

[\*\*] Term: **14 Years**

[21] Appl. No.: **63,045**

[22] Filed: **Nov. 25, 1996**

[51] **LOC (6) Cl.** ..... **23-04**

[52] **U.S. Cl.** ..... **D23/411; D12/400**

[58] **Field of Search** ..... **D23/411; D12/400; 123/41.11, 41.12; 416/60, 169 A, 204 R, 244 R**

[56] **References Cited**

**U.S. PATENT DOCUMENTS**

3,924,585 12/1975 Woods ..... 123/41.12  
4,180,024 12/1979 Hernandez ..... 416/169

**OTHER PUBLICATIONS**

J.C. Whitney Cat. #546J, p. 180, Steel Shaft & Mounting Flange  $\hat{A}$ , Upper Right Side of Page, ©1992.

*Primary Examiner*—Lisa Lichtenstein  
*Attorney, Agent, or Firm*—Dougherty & Dremann

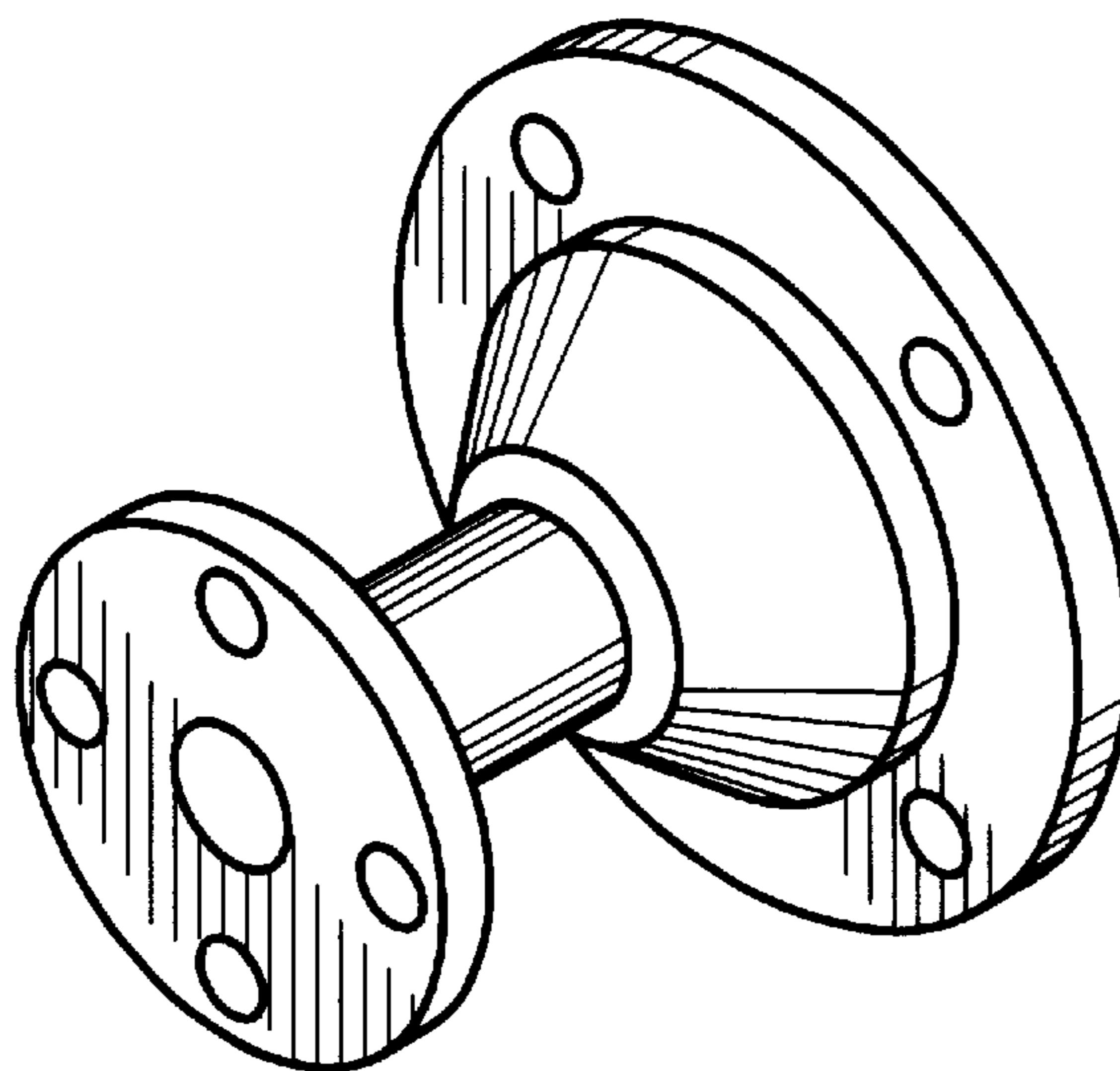
[57] **CLAIM**

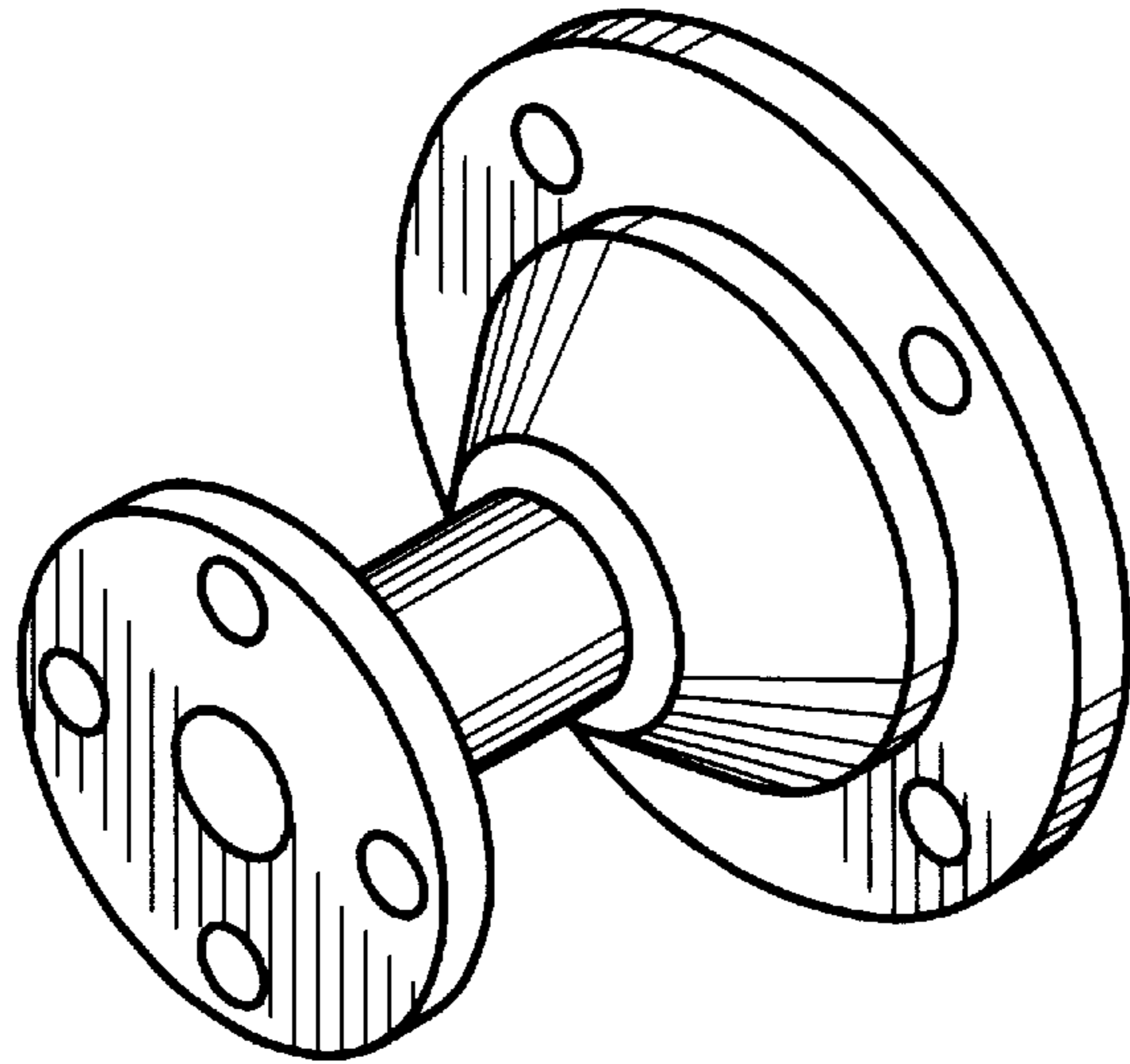
The ornamental design for a fan adapter for automobile fan clutch replacement, as shown and described.

**DESCRIPTION**

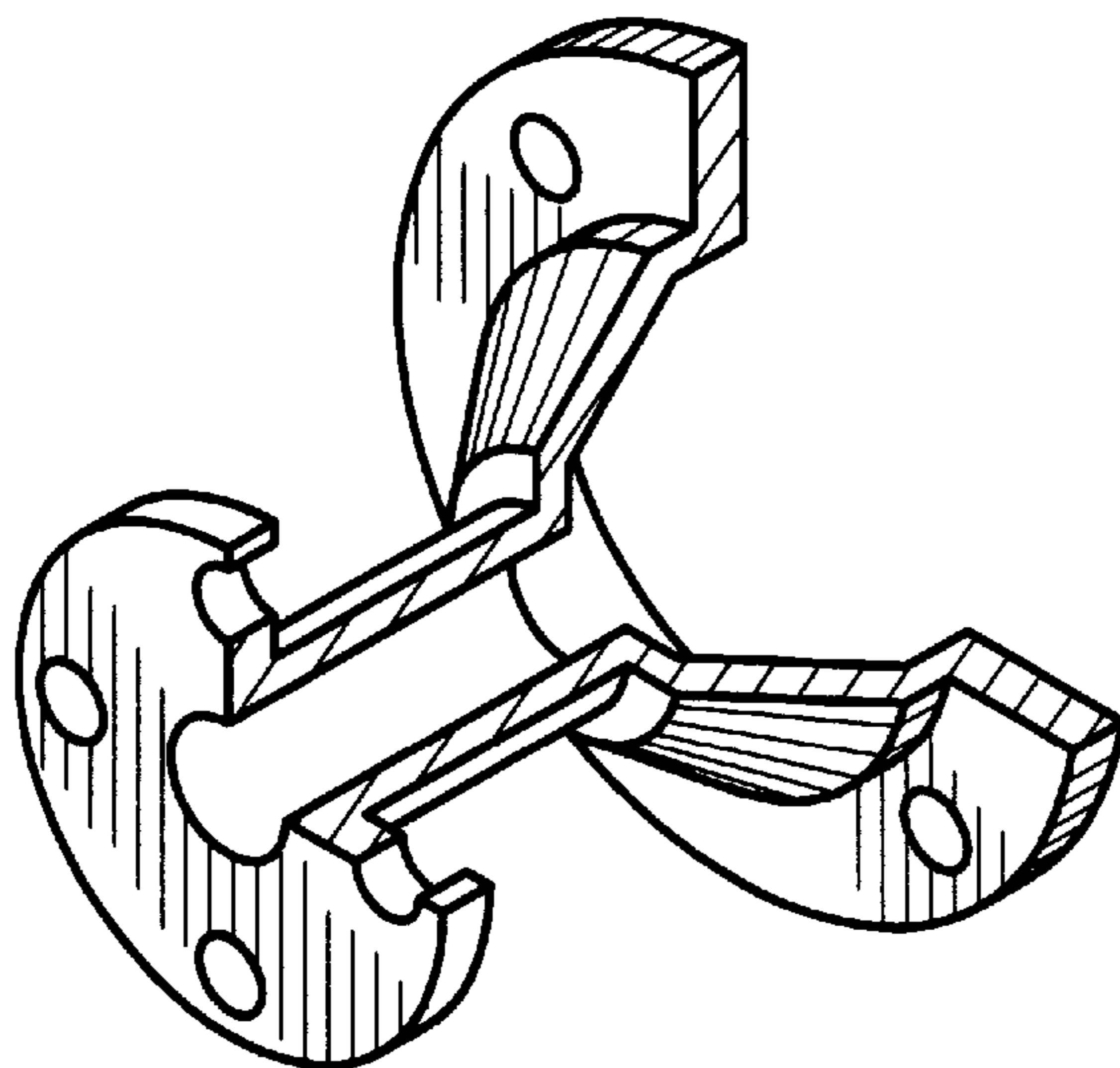
FIG. 1 is a perspective view of a fan adapter for automobile fan clutch replacement, showing the new design; FIG. 2 is a partially cutaway perspective view thereof; FIG. 3 is a front elevational view thereof; FIG. 4 is a rear elevational view thereof; and, FIG. 5 is a side elevational view thereof, the opposite side being a mirror image, and the top and bottom views being the same.

**1 Claim, 3 Drawing Sheets**

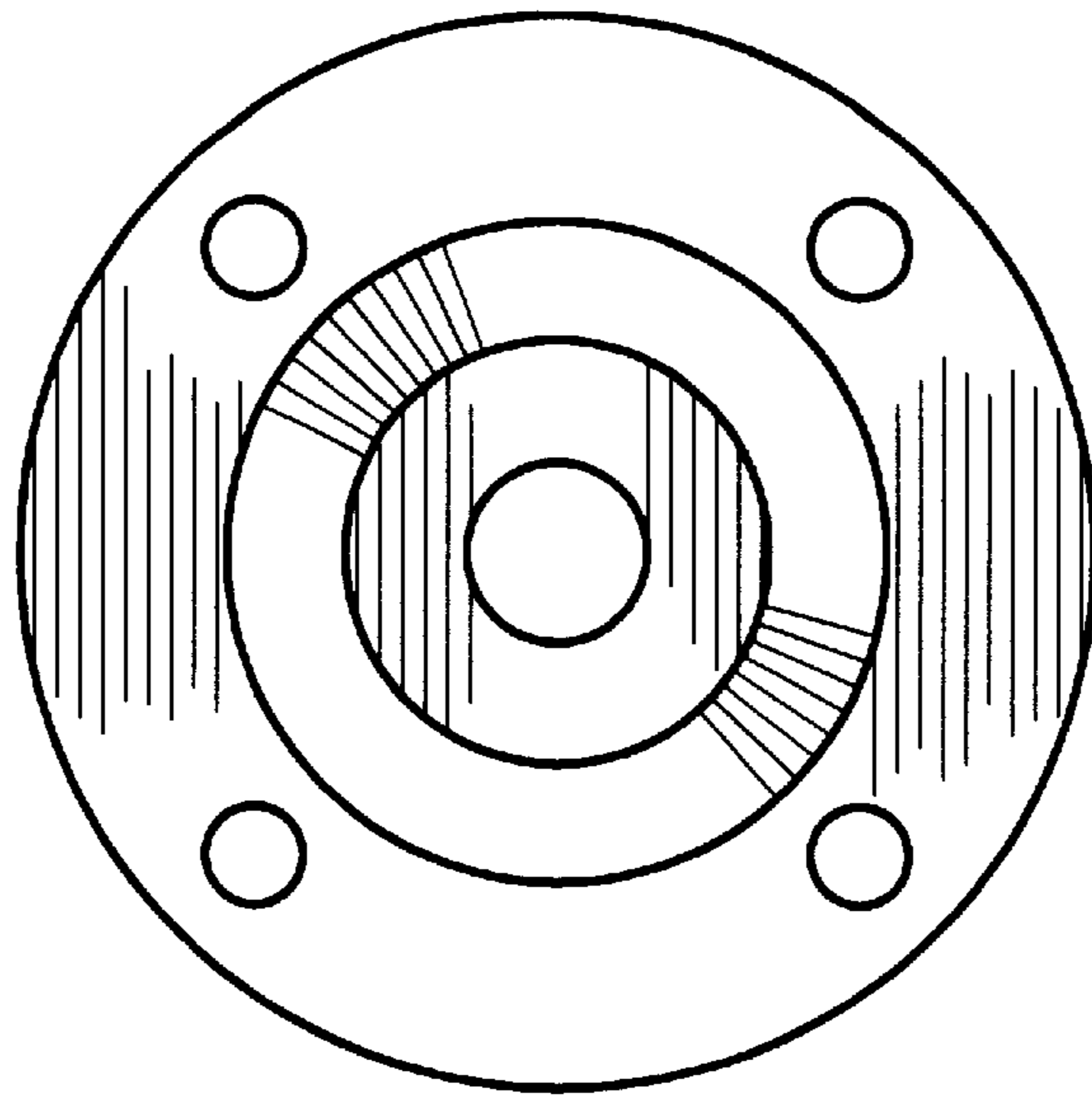




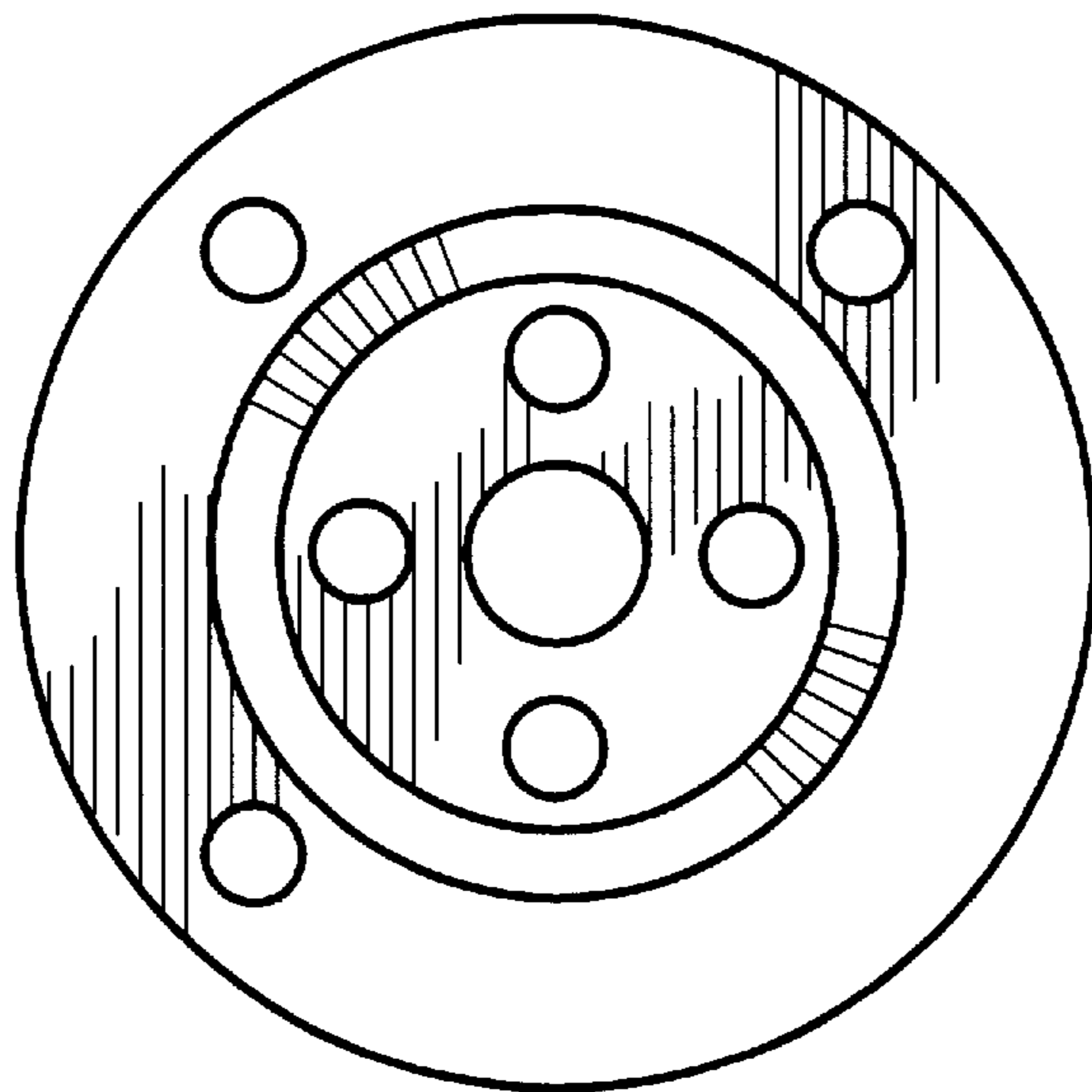
*Fig. 1.*



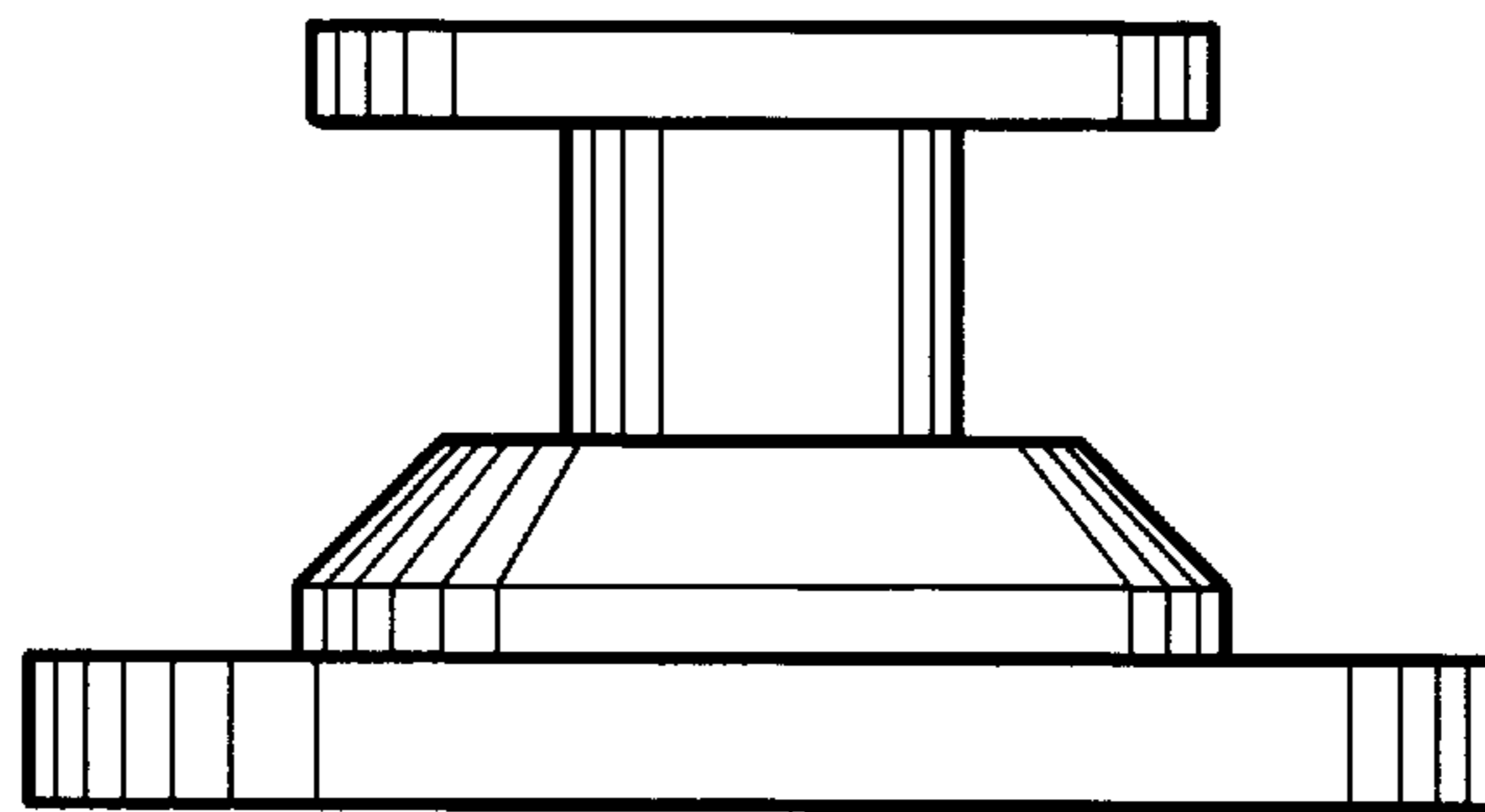
*Fig. 2.*



*Fig. 4.*



*Fig. 3.*



*Fig. 5.*