



US00D398983S

United States Patent [19]

Keller et al.

[11] Patent Number: **Des. 398,983**

[45] Date of Patent: ****Sep. 29, 1998**

[54] FAN

D. 323,708 2/1992 Wang D23/382
4,927,324 5/1990 Coup et al. .

[75] Inventors: **Kevin E. Keller**, Wichita; **Glen W. Ediger**, N. Newton; **Gary P. Israel**, Andover; **Dustan L. Hahn**, Derby, all of Kans.

Primary Examiner—Lisa Lichtenstein
Attorney, Agent, or Firm—Stinson, Mag & Fizzell

[73] Assignee: **Vornado Air Circulation Systems, Inc.**, Andover, Kans.

[57] CLAIM

The ornamental design for a fan, as shown.

[**] Term: **14 Years**

DESCRIPTION

[21] Appl. No.: **74,622**

FIG. 1 is a front and right side perspective view of the fan of the present invention;

[22] Filed: **Aug. 8, 1997**

FIG. 2 is a left side elevational view of the fan of FIG. 1;

[51] **LOC (6) Cl.** **23-04**

FIG. 3 is a right side elevational view of the fan of FIG. 1;

[52] **U.S. Cl.** **D23/382; D23/381**

FIG. 4 is a front elevational view of the fan of FIG. 1;

[58] **Field of Search** D23/382, 370,
D23/381; 416/247, 246; 415/208.1, 211.2,
209.2, 211.1, 213.1

FIG. 5 is a rear elevational view of the fan of FIG. 1;

FIG. 6 is a top plan view of the fan of FIG. 1; and,

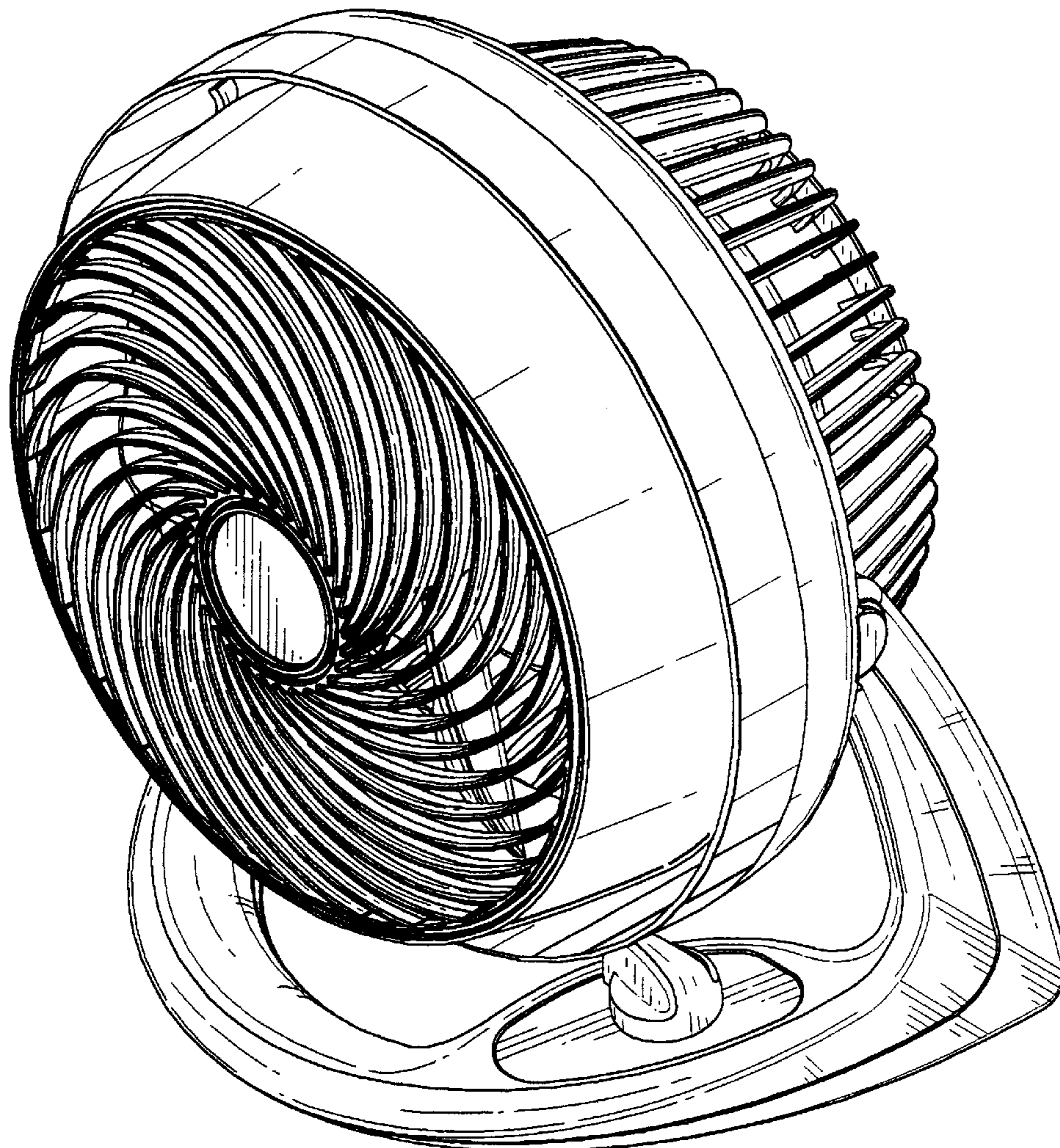
FIG. 7 is a bottom plan view of the fan of FIG. 1.

[56] References Cited

U.S. PATENT DOCUMENTS

D. 312,124 11/1990 Coup et al. .

1 Claim, 4 Drawing Sheets



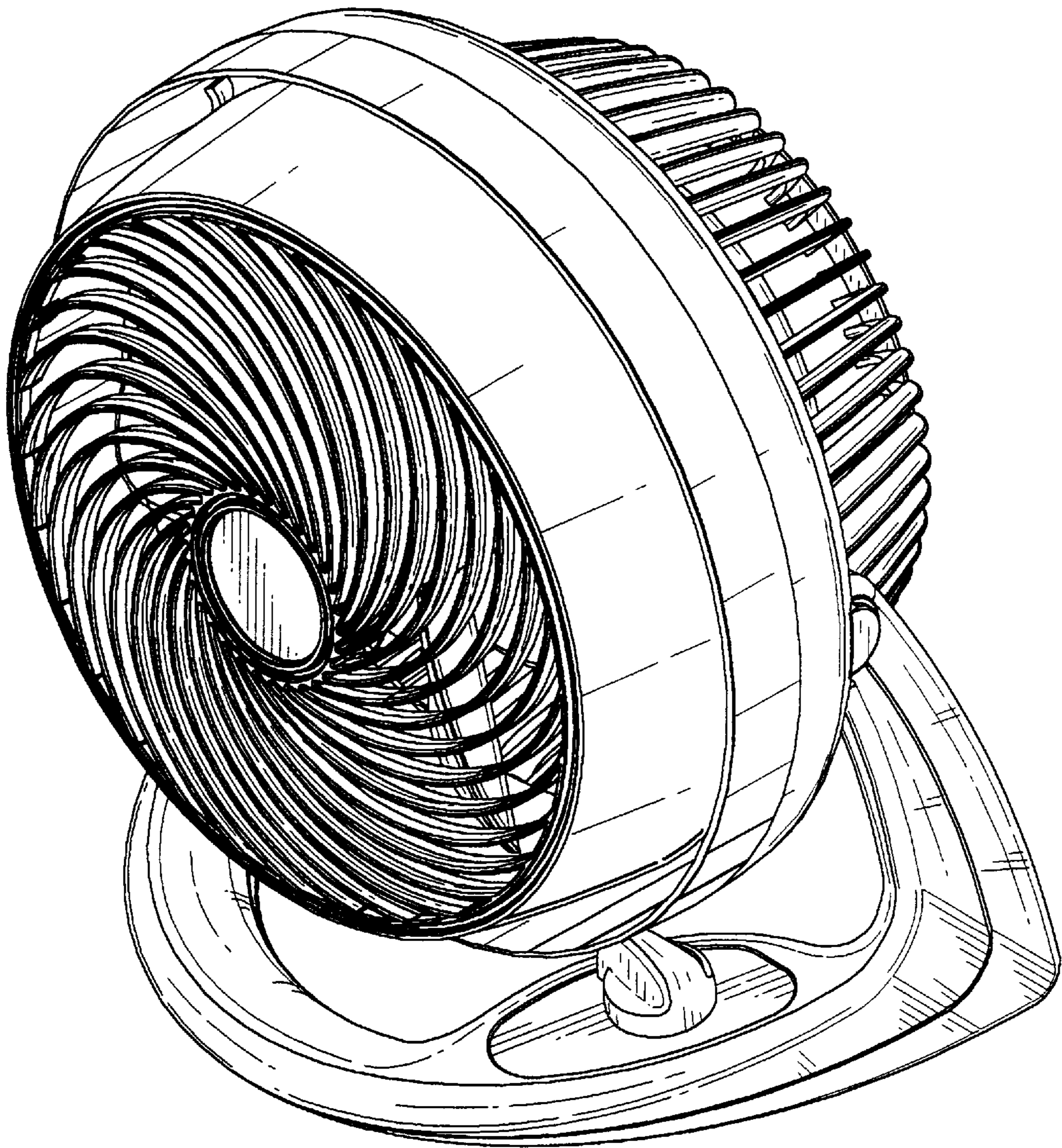


FIG. 1

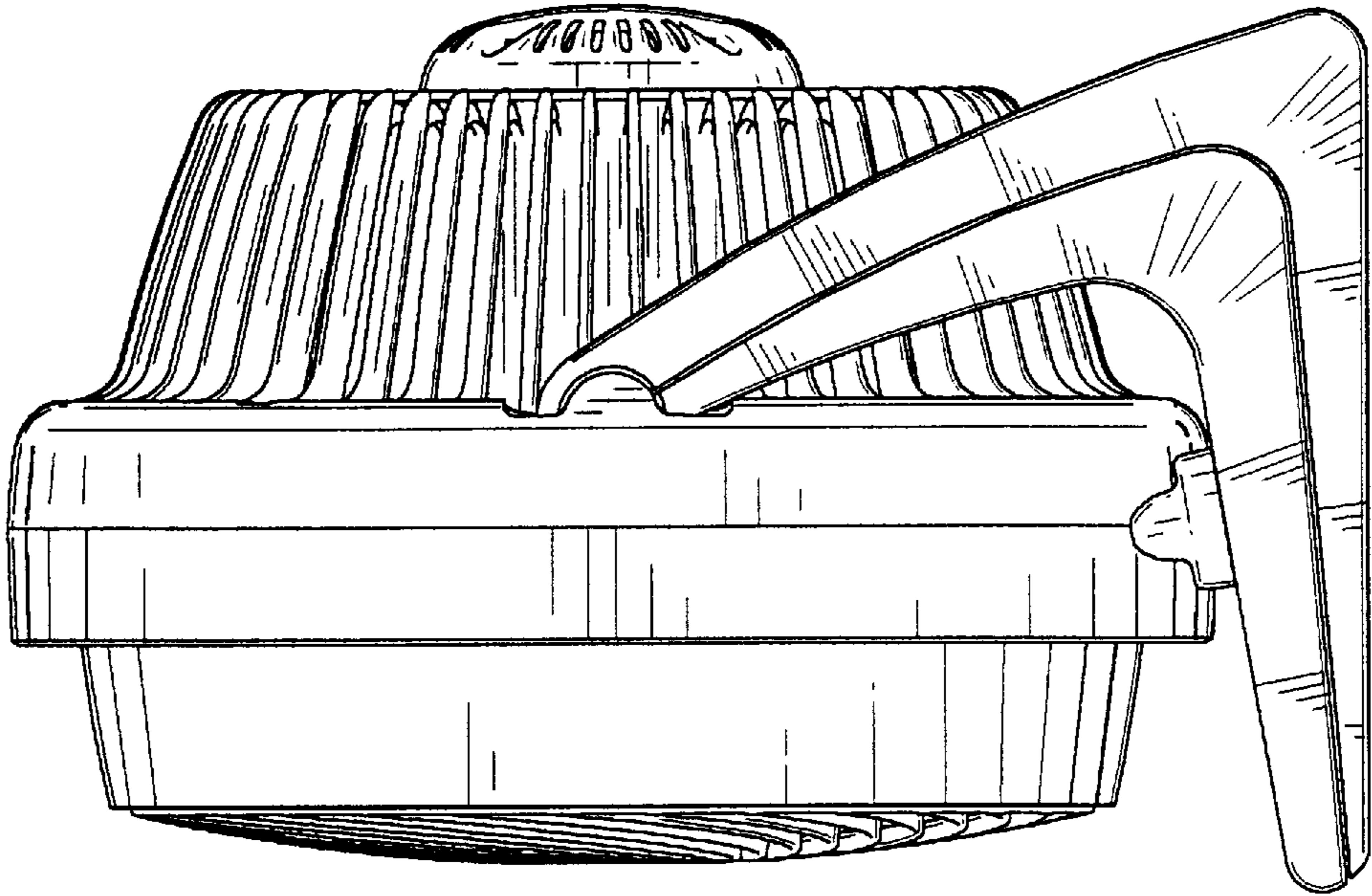


FIG. 3

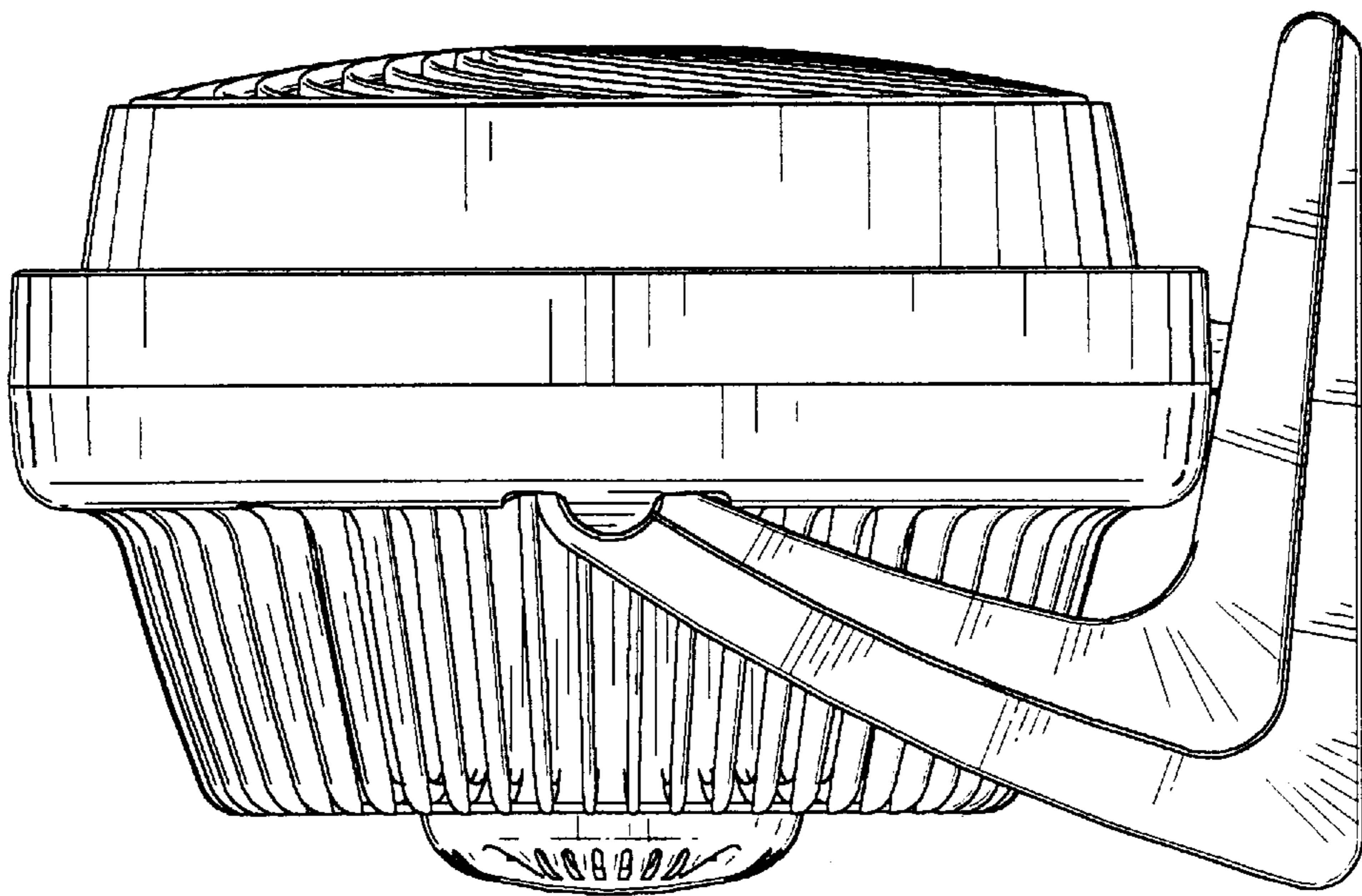


FIG. 2

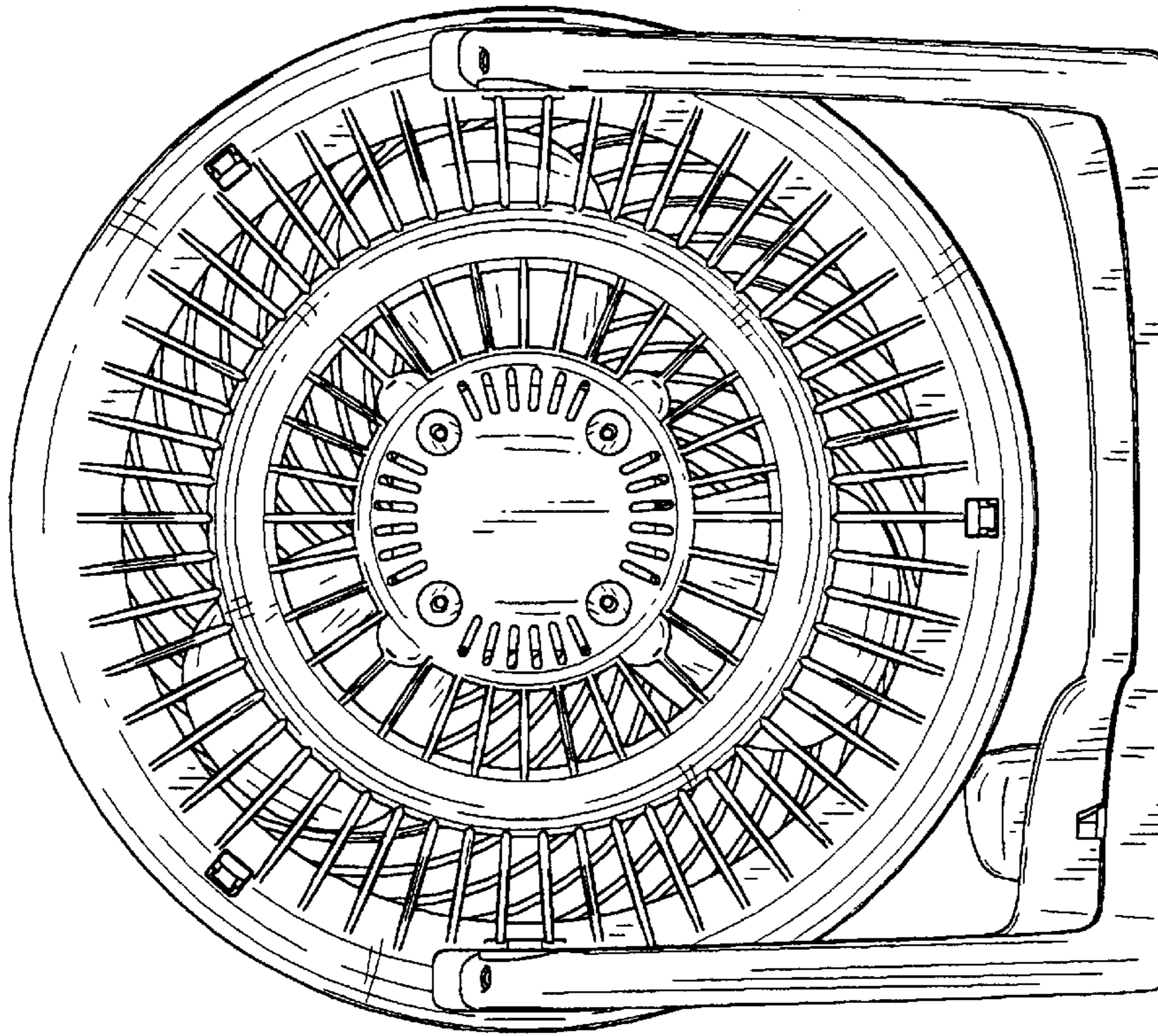


FIG. 5

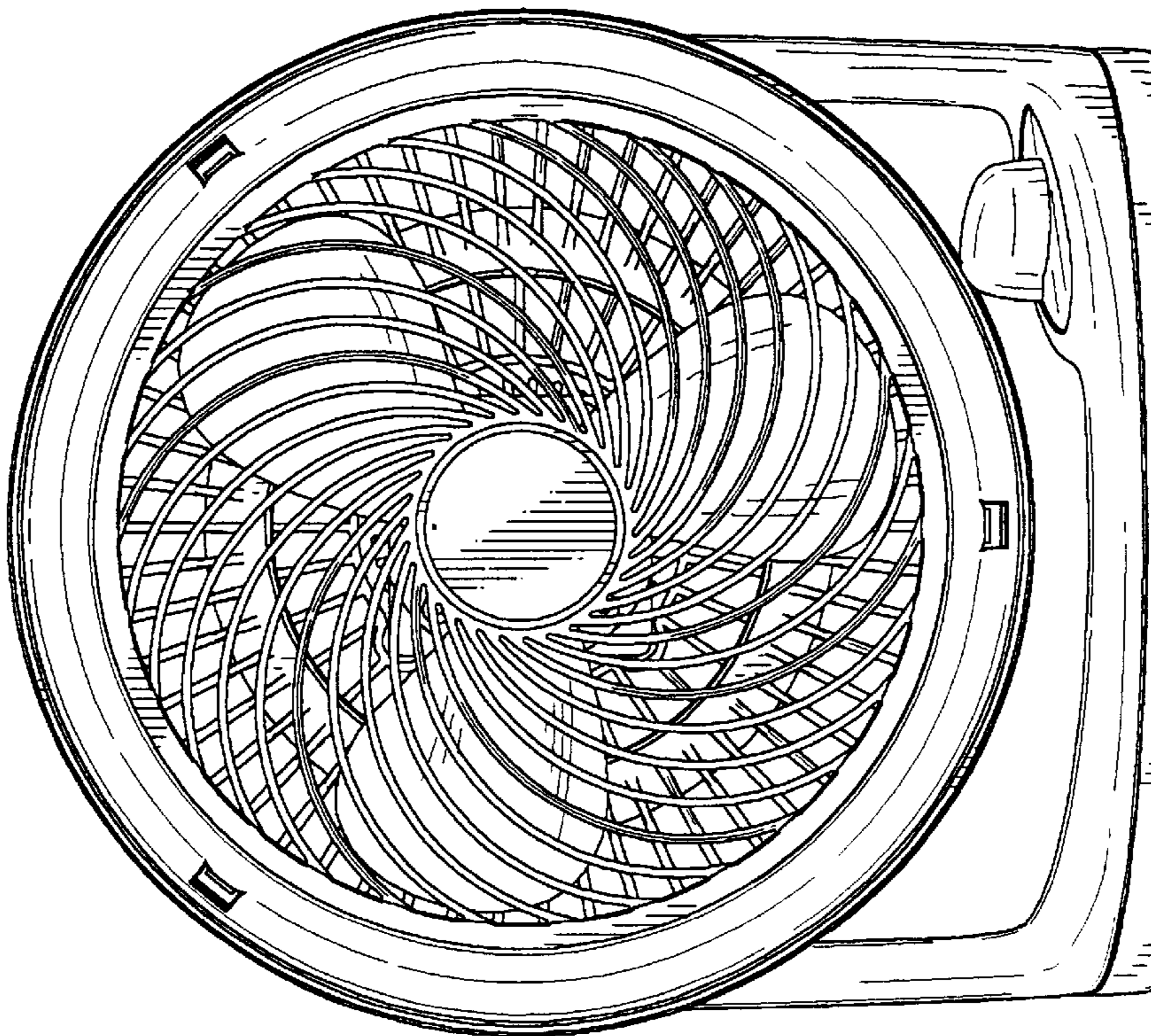


FIG. 4

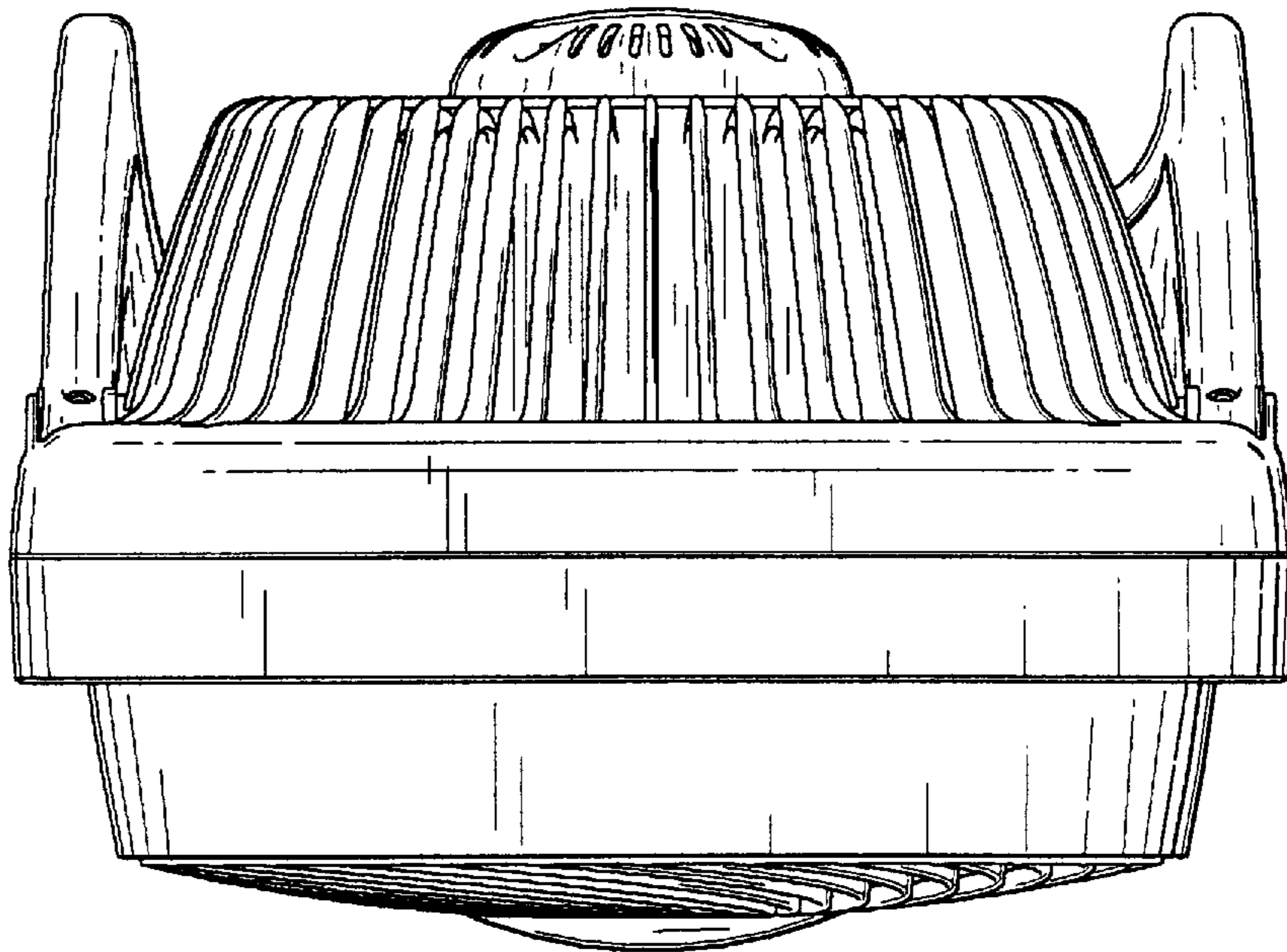


FIG. 6

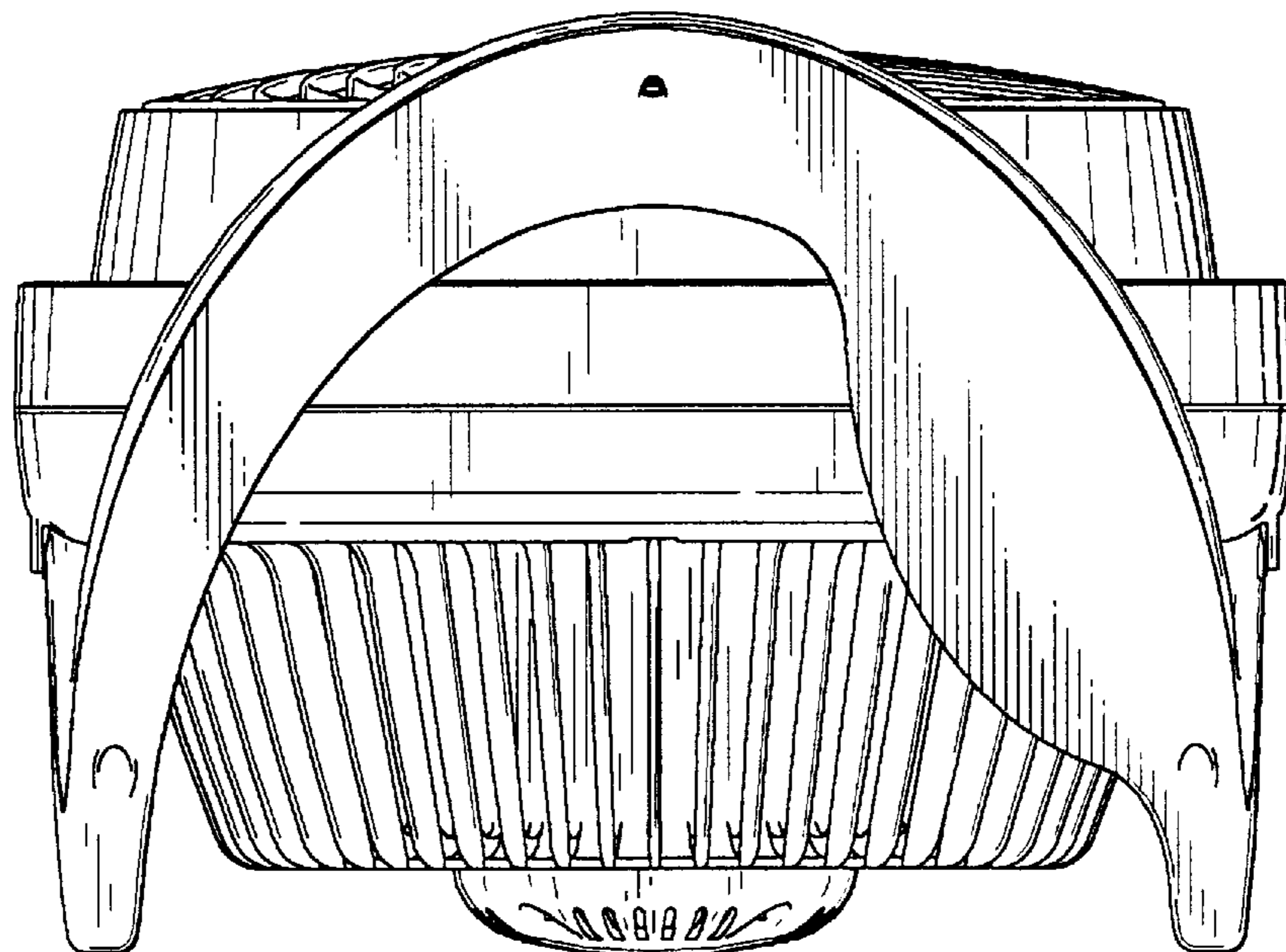


FIG. 7