



US00D398980S

# United States Patent [19] Pearce

[11] Patent Number: Des. 398,980

[45] Date of Patent: \*\*Sep. 29, 1998

[54] COMBINED CEILING FAN AND LIGHT KIT

[76] Inventor: **Richard A. Pearce**, 4039 Sandberg St.,  
Memphis, Tenn. 38128

[\*\*] Term: **14 Years**

[21] Appl. No.: **32,705**

[22] Filed: **Dec. 23, 1994**

[51] LOC (6) Cl. .... **23-04**

[52] U.S. Cl. .... **D23/377; D23/379; D23/385;  
D23/413**

[58] Field of Search ..... D23/411, 413,  
D23/377, 379, 385; 416/5, 228; 392/364;  
362/96; D26/81-86, 88, 72, 73, 51, 59;  
D21/211

[56] **References Cited**

**U.S. PATENT DOCUMENTS**

- D. 152,516 2/1949 Brown .
- D. 292,823 11/1987 St. Clair ..... D23/382
- D. 312,686 12/1990 Weber .
- D. 312,868 12/1990 Rezek .
- D. 324,100 2/1992 Holbrook .
- D. 324,266 2/1992 Holbrook .
- D. 328,947 8/1992 Holbrook .
- D. 329,494 9/1992 Holbrook .
- D. 331,103 11/1992 Pearce .
- D. 340,515 10/1993 Rezek .
- D. 342,311 12/1993 Rezek .
- D. 346,209 4/1994 Holbrook .
- D. 346,439 4/1994 Liu .

- D. 346,858 5/1994 Lee .
- D. 347,671 6/1994 Weiss et al. .... D21/211
- 1,695,002 12/1928 Xippas .
- 1,699,201 1/1929 Guth .
- 4,640,668 2/1987 Yang ..... 416/5
- 5,437,540 8/1995 Blocker et al. .... 416/5

*Primary Examiner*—Lisa Lichtenstein  
*Attorney, Agent, or Firm*—Baker, Donelson, Bearman &  
Caldwell

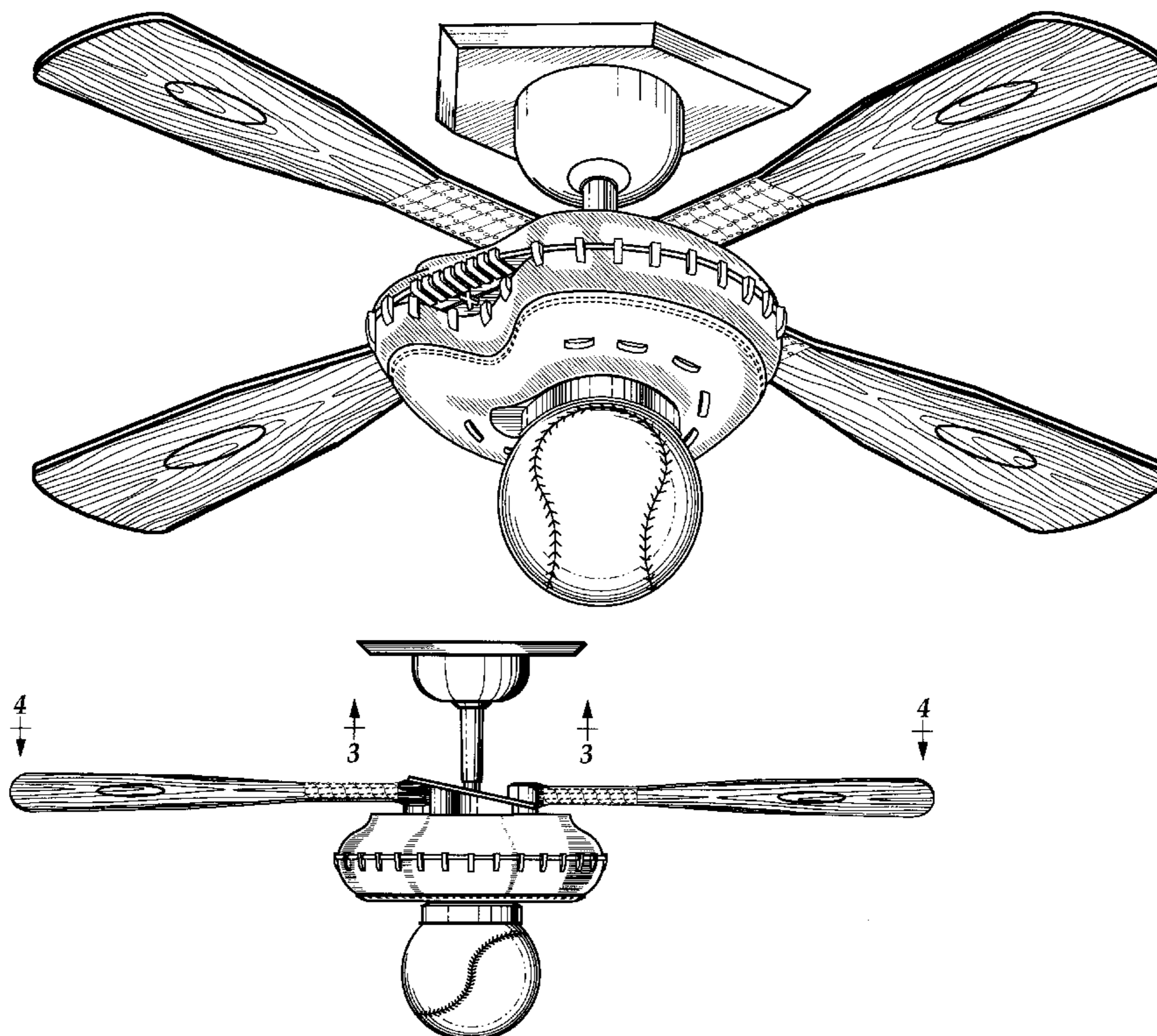
[57] **CLAIM**

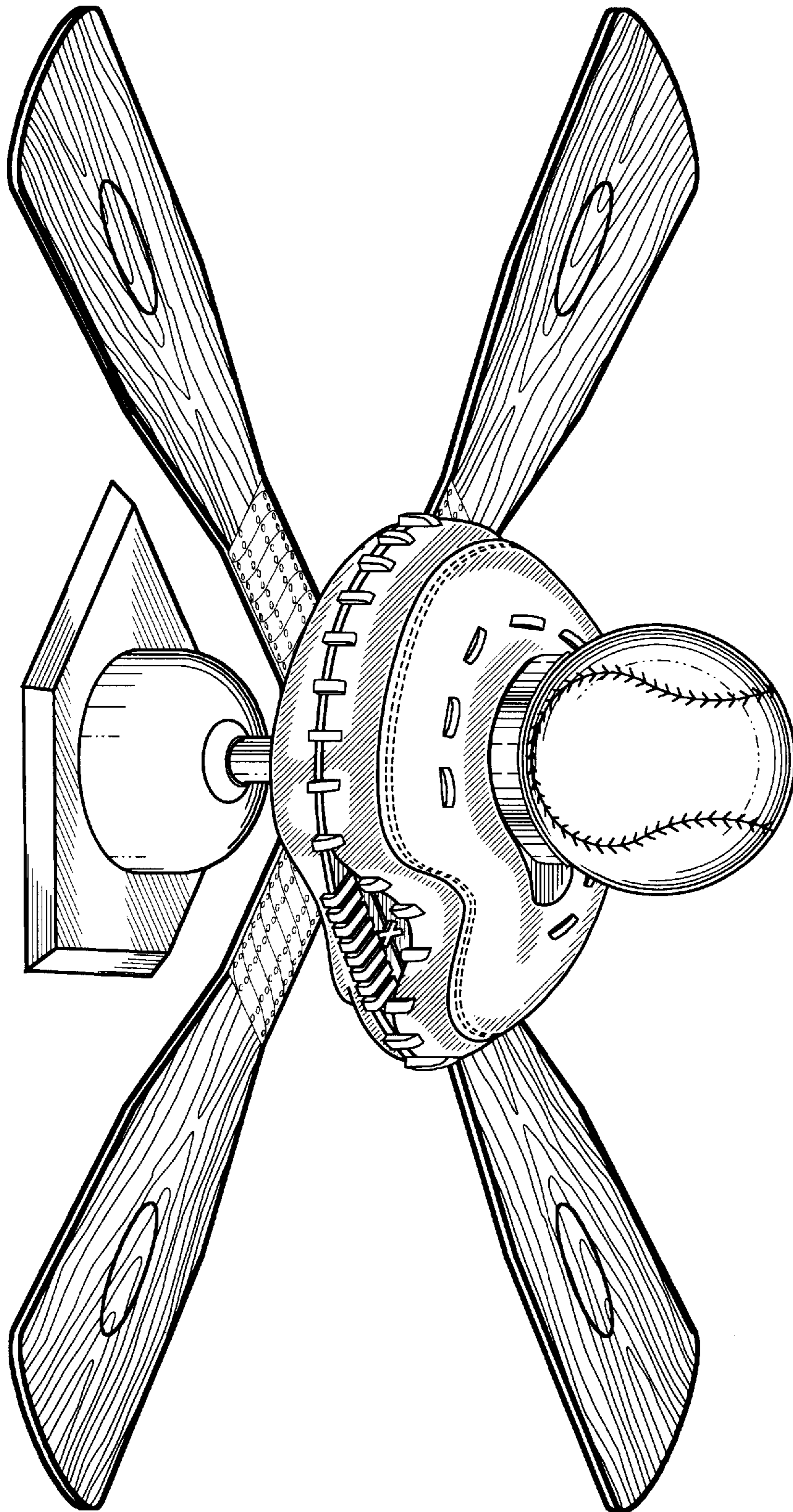
The ornamental design for a combined ceiling fan and light fixture, as shown.

**DESCRIPTION**

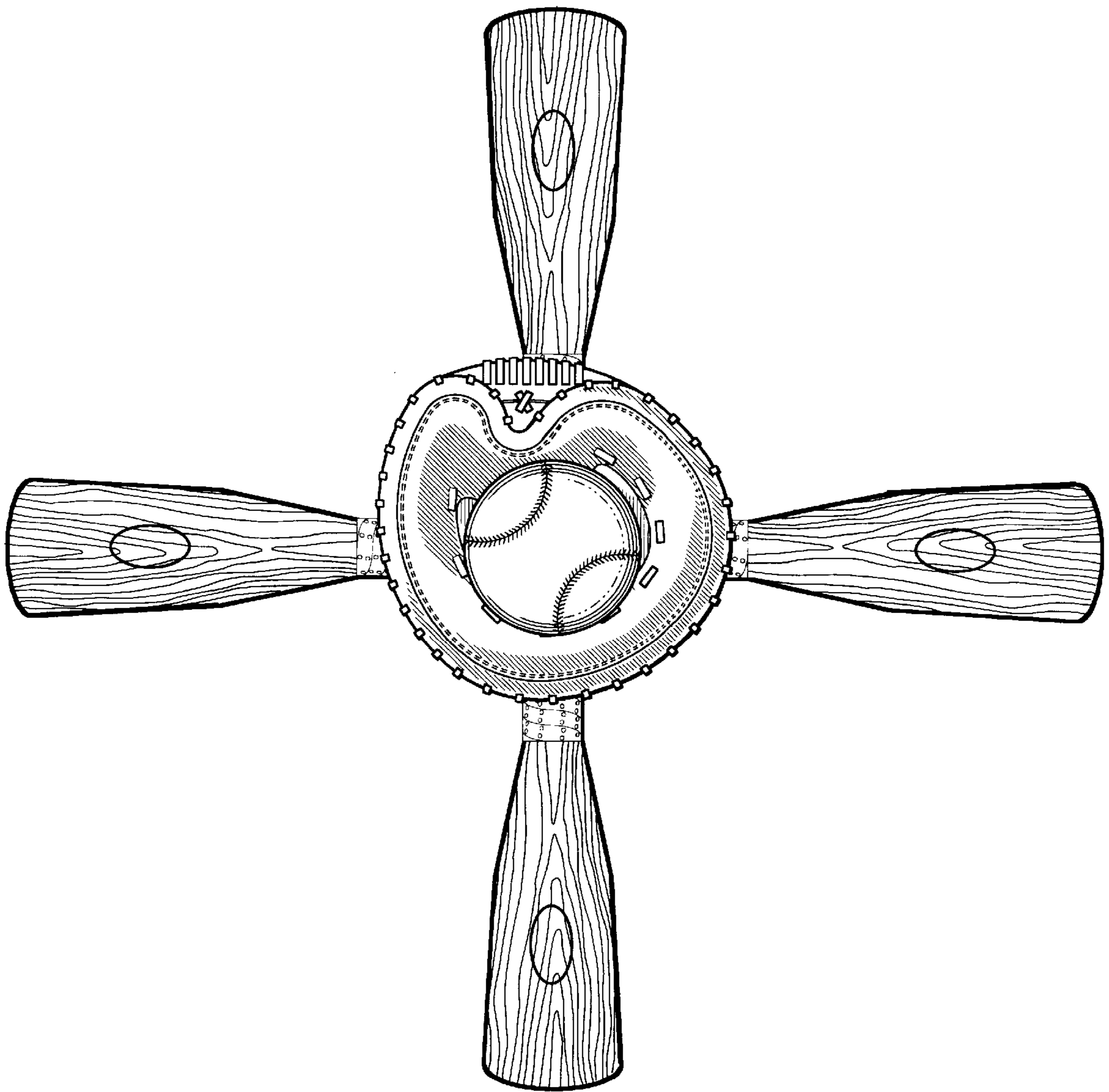
FIG. 1 is a bottom, side perspective view of a ceiling fan and light kit, showing my new design;  
 FIG. 2 is a bottom plan view thereof;  
 FIG. 3 is a cross-sectional view taken along line 3—3 of FIG. 5;  
 FIG. 4 is a cross-sectional view thereof taken along line 4—4 in FIG. 5;  
 FIG. 5 is a side elevation view taken along line 5—5 of FIG. 4;  
 FIG. 6 is a side elevation view taken along line 6—6 of FIG. 4;  
 FIG. 7 is a side elevation view taken along line 7—7 of FIG. 4; and,  
 FIG. 8 is a side elevation view taken along line 8—8 of FIG. 4.

**1 Claim, 5 Drawing Sheets**

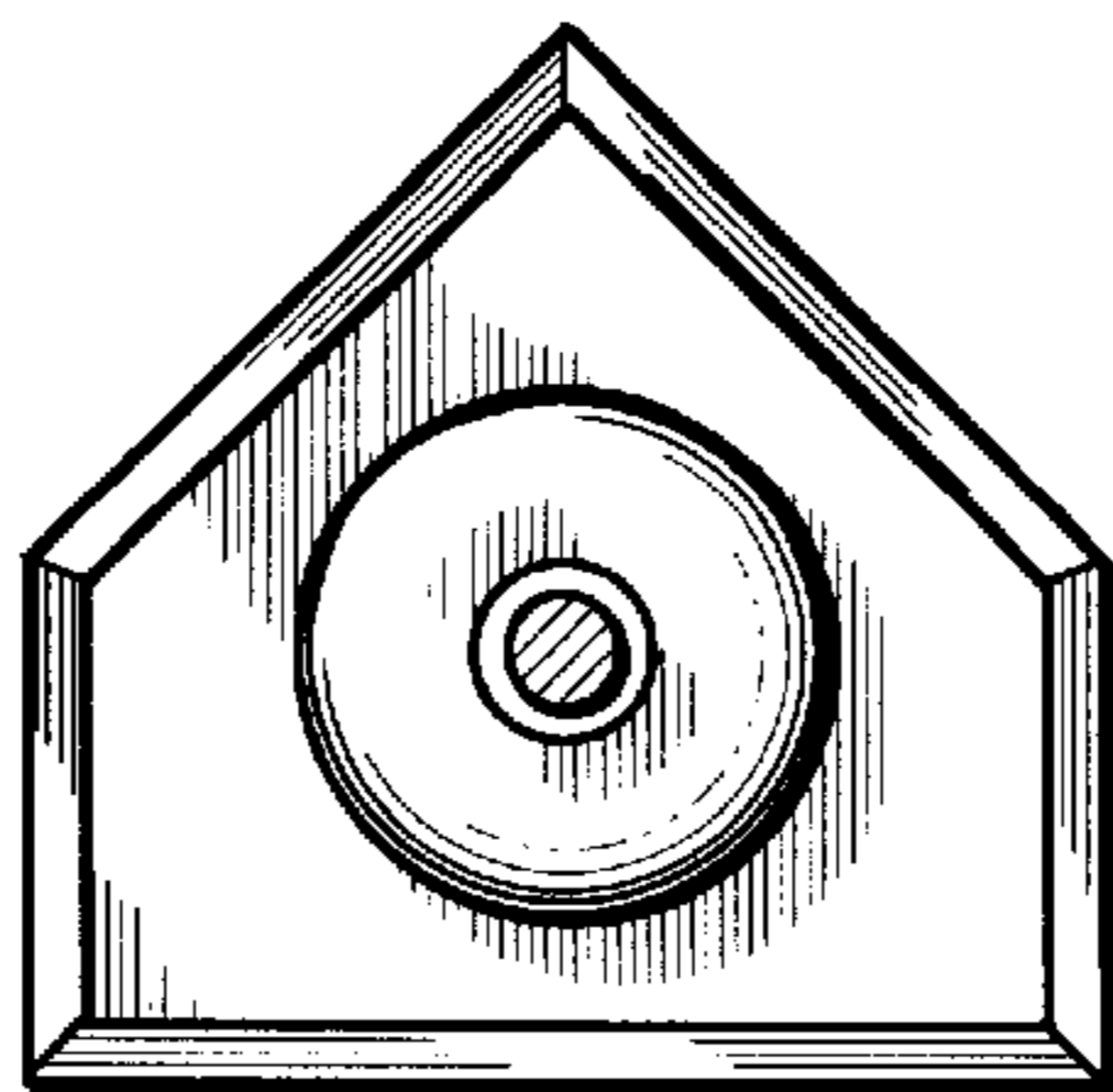




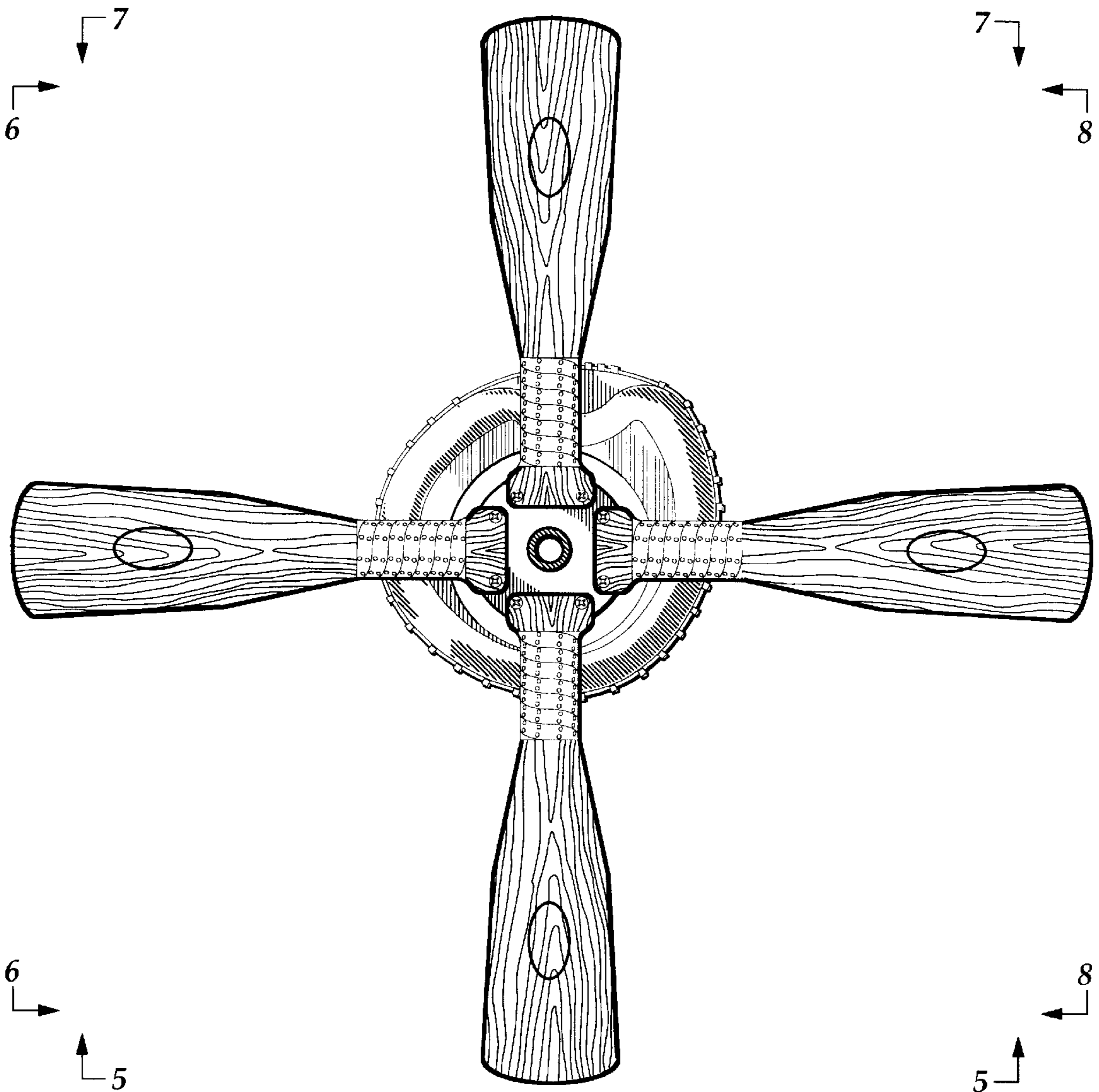
*Fig. 1*



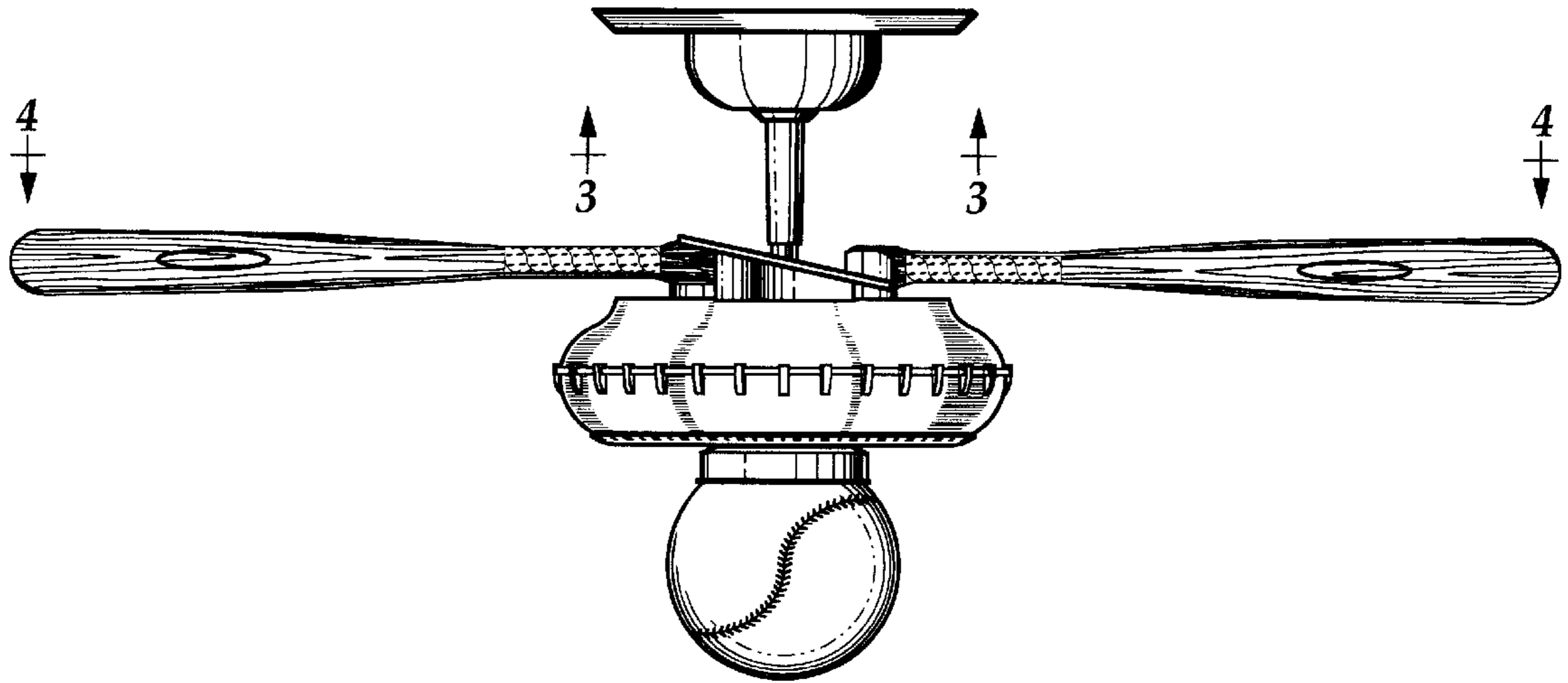
*Fig.2*



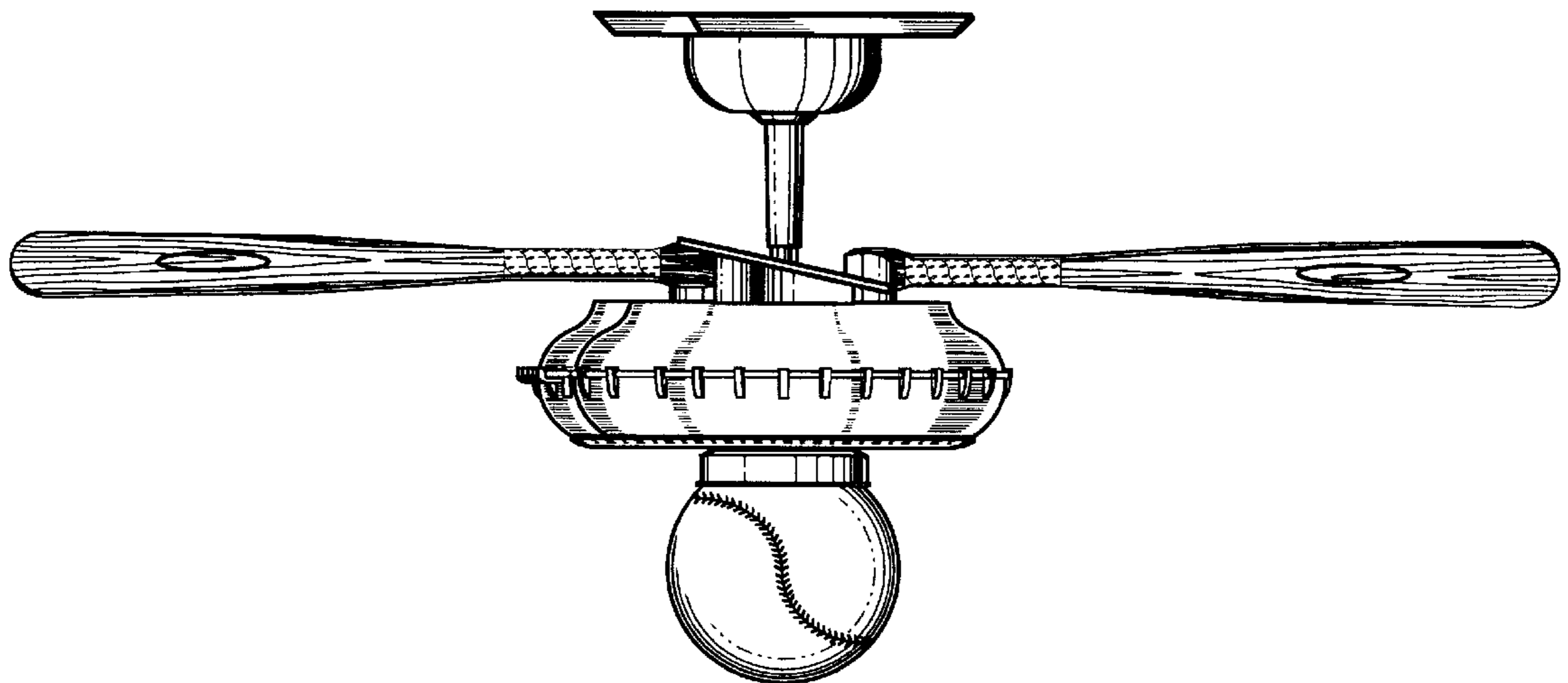
*Fig.3*



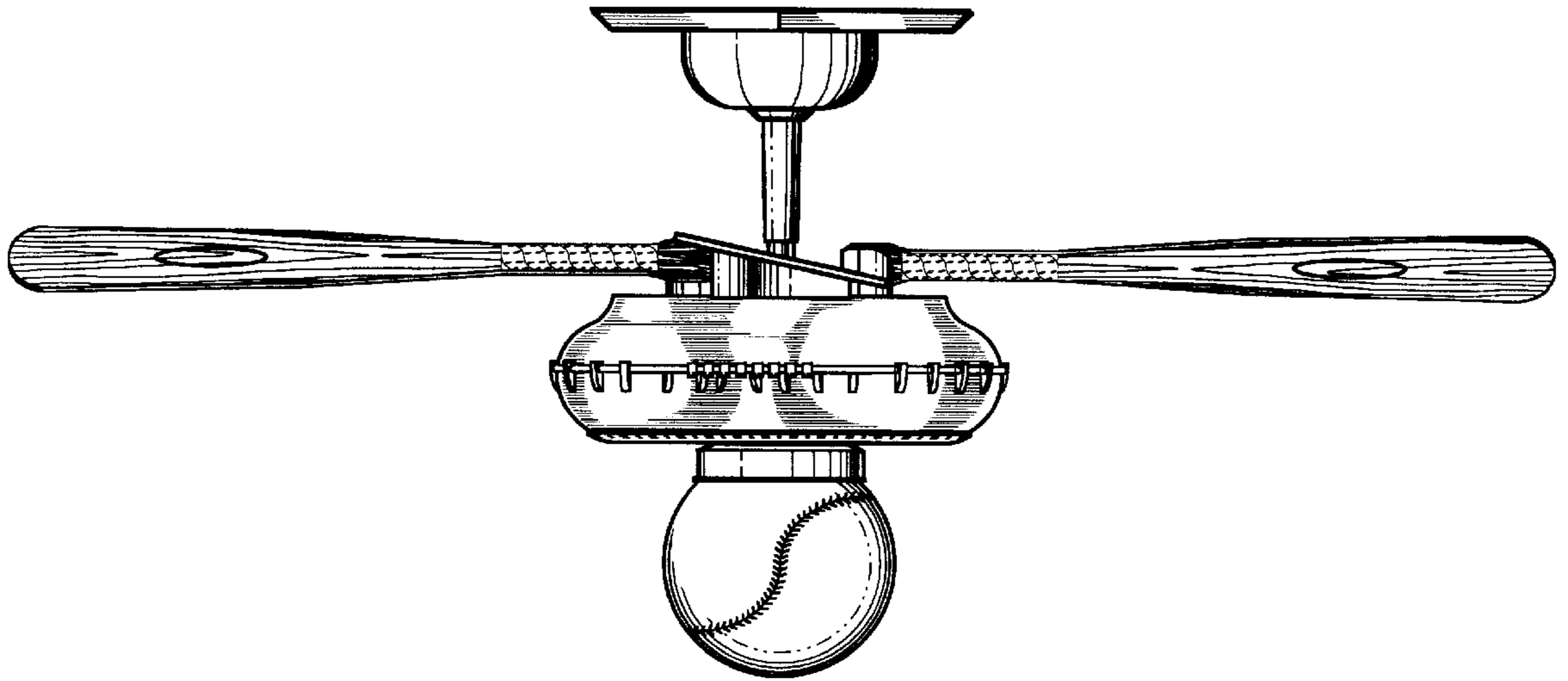
*Fig.4*



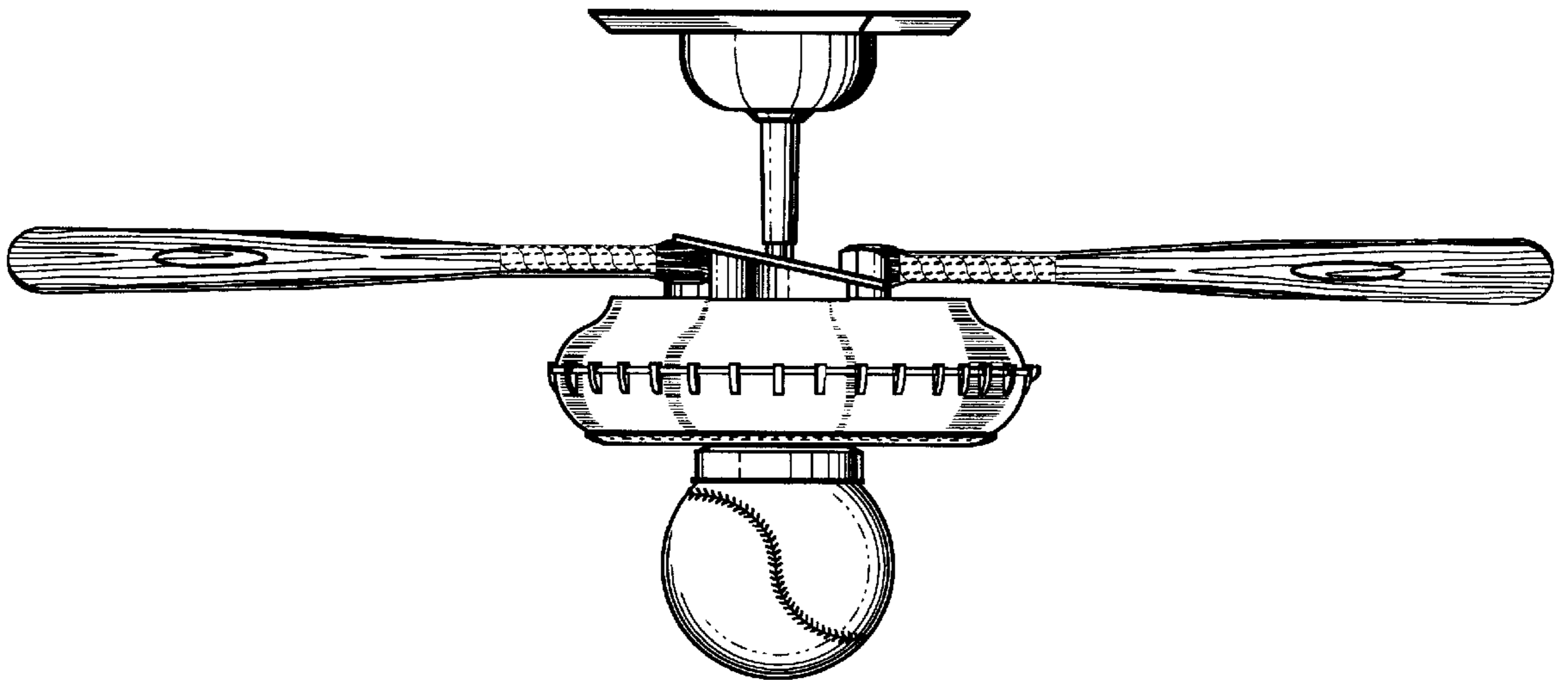
*Fig.5*



*Fig.6*



*Fig.7*



*Fig.8*