



US00D398978S

United States Patent [19] Horng

[11] Patent Number: **Des. 398,978**

[45] Date of Patent: ****Sep. 29, 1998**

[54] **HEAT DISSIPATION FANS**

[75] Inventor: **Alex Horng**, Kaohsiung, Taiwan

[73] Assignee: **Sunonwealth Electric Machine Industry Co., Ltd.**, Taipei, Taiwan

[**] Term: **14 Years**

[21] Appl. No.: **77,731**

[22] Filed: **Oct. 7, 1997**

[51] **LOC (6) Cl.** **23-04**

[52] **U.S. Cl.** **D23/370; D14/114**

[58] **Field of Search** **D23/370, 379; 415/176, 177, 178, 211.2; 361/697, 695; 165/80.3, 121; D14/114**

[56] **References Cited**

U.S. PATENT DOCUMENTS

5,309,983	5/1994	Bailey	165/80.3
5,494,098	2/1996	Morosas	165/80.3
5,582,506	12/1996	Hong	415/177
5,629,834	5/1997	Kodama et al.	415/176
5,638,895	6/1997	Dodson	165/80.3
5,689,404	11/1997	Katsui	415/178

FOREIGN PATENT DOCUMENTS

3408139	9/1985	Germany	361/695
---------	--------	---------	---------

Primary Examiner—Lisa Lichtenstein
Attorney, Agent, or Firm—Cushman Darby & Cushman IP Group of Pillsbury Madison & Sutro, LLP

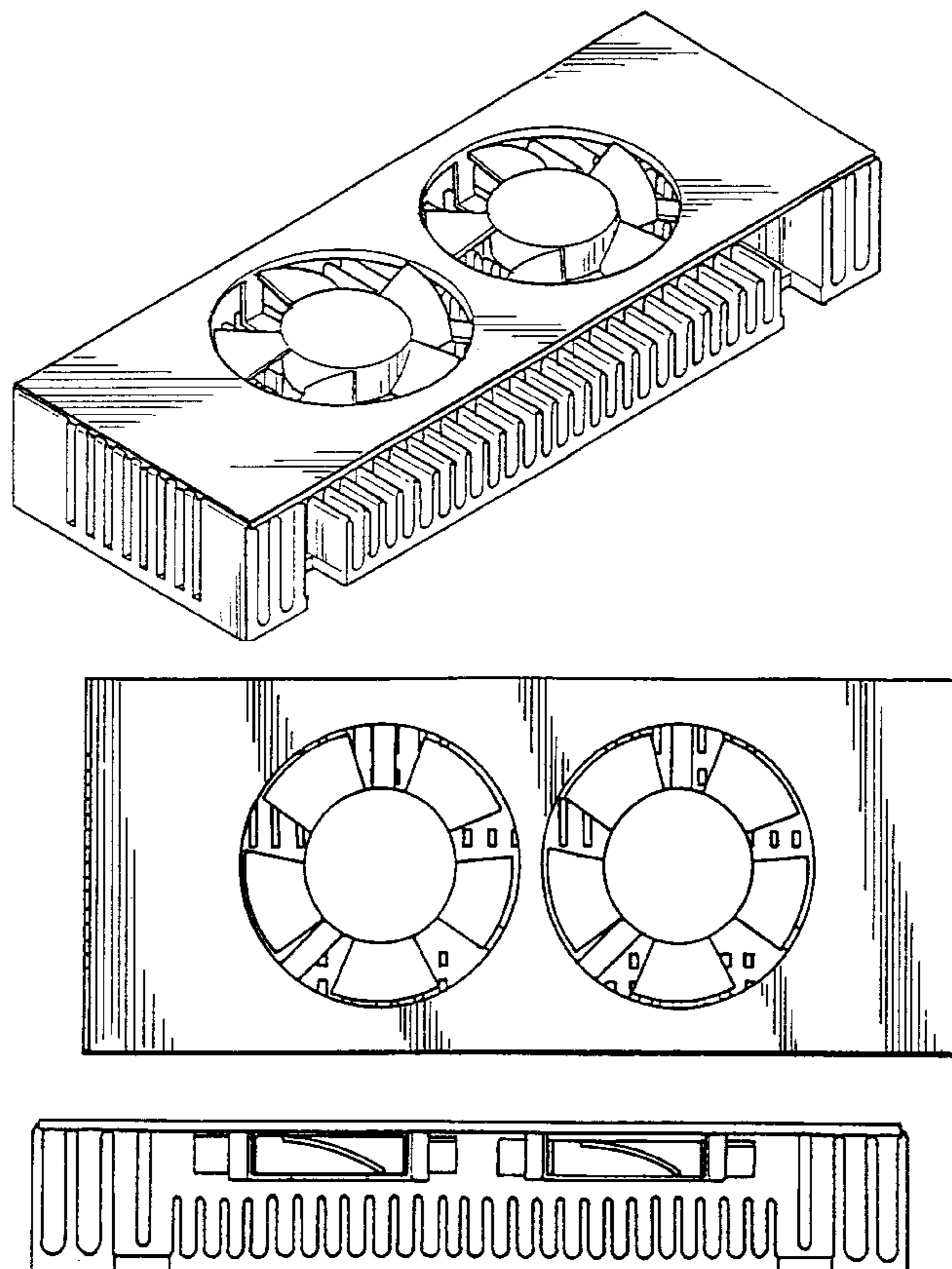
[57] **CLAIM**

The ornamental design for a heat dissipation fan, as shown and described.

DESCRIPTION

FIG. 1 is a perspective view of the heat dissipation fan in accordance with the first embodiment of the claimed design; FIG. 2 is a top plan view thereof; FIG. 3 is a right side elevational view thereof; FIG. 4 is a front elevational view thereof; FIG. 5 is a rear elevational view thereof; FIG. 6 is a left side elevational view thereof; FIG. 7 is a bottom plan view thereof; FIG. 8 is a perspective view of the heat dissipation fan in accordance with the second embodiment of the claimed design; FIG. 9 is a top plan view of FIG. 8; FIG. 10 is a right side elevational view of FIG. 8; FIG. 11 is a front elevational view of FIG. 8; FIG. 12 is a rear elevational view of FIG. 8; FIG. 13 is a left side elevational view of FIG. 8; and, FIG. 14 is a bottom plan view of FIG. 8.

1 Claim, 8 Drawing Sheets



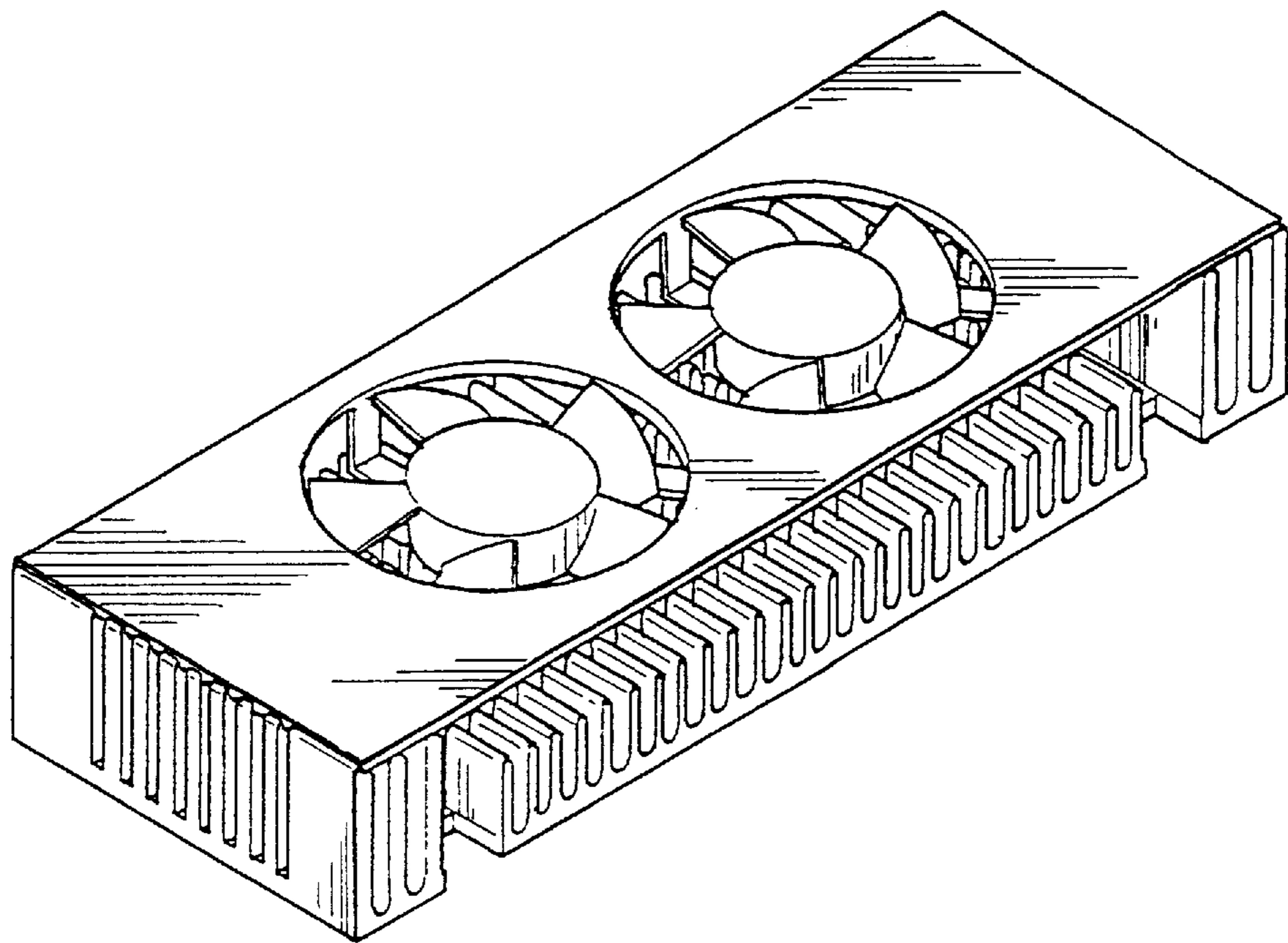


FIG.1

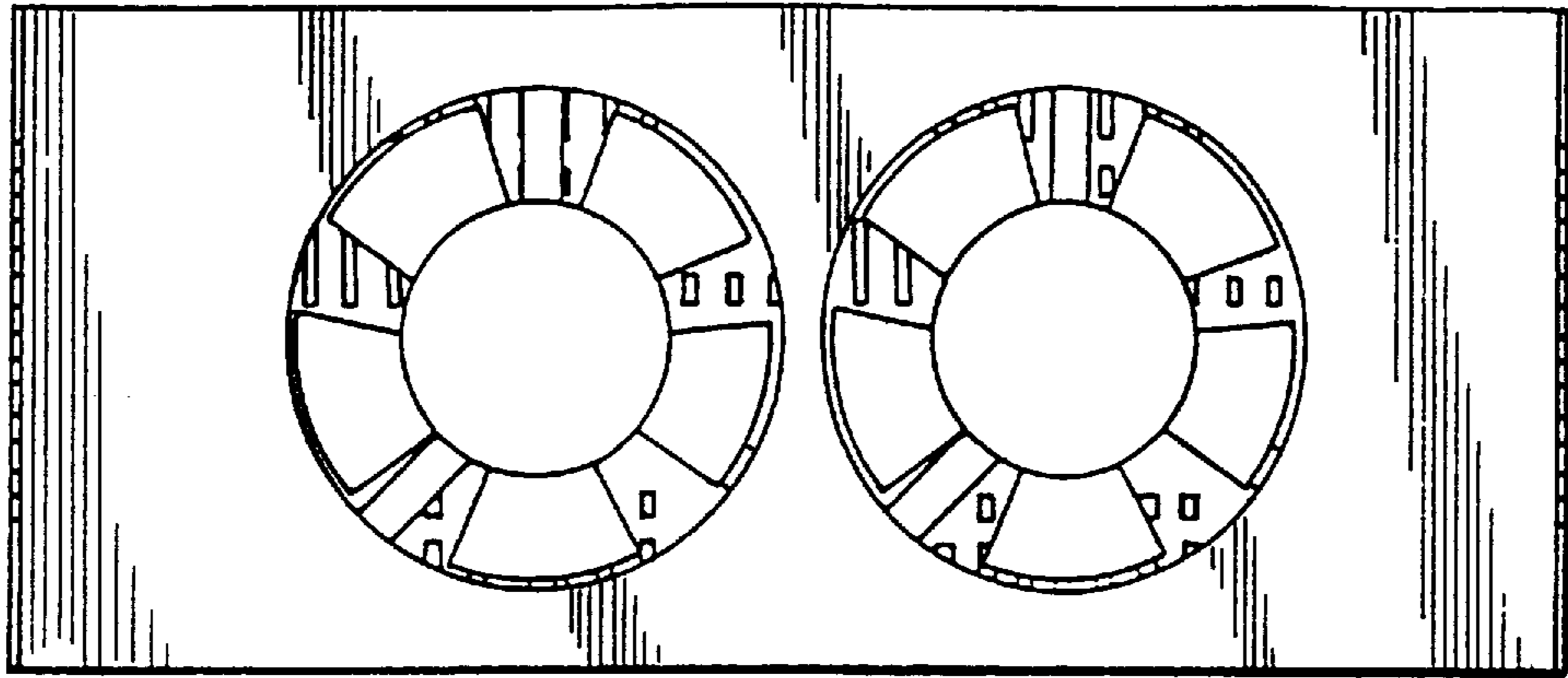


FIG. 2

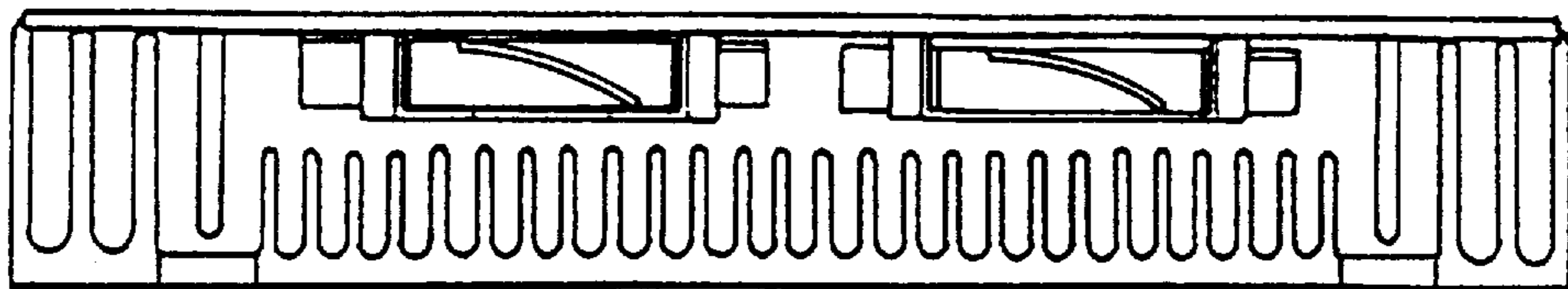


FIG. 3

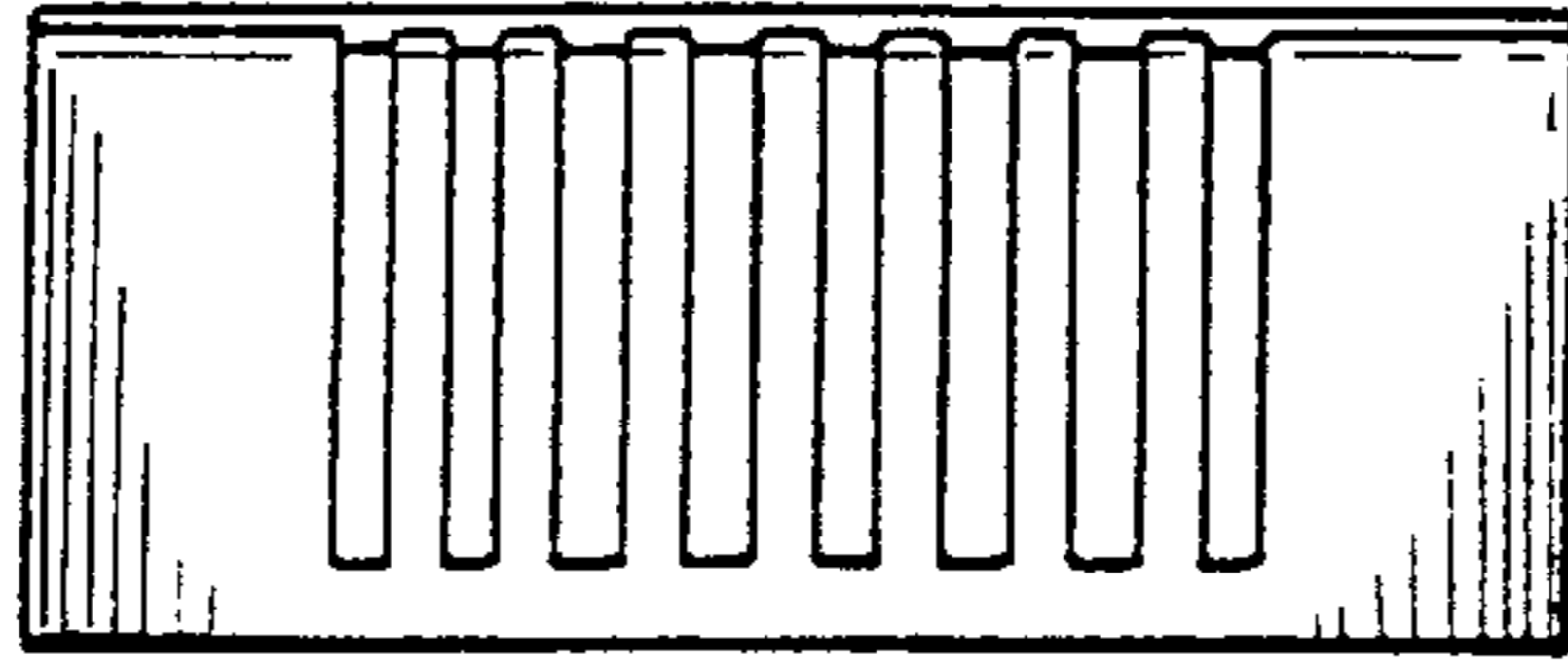


FIG. 4

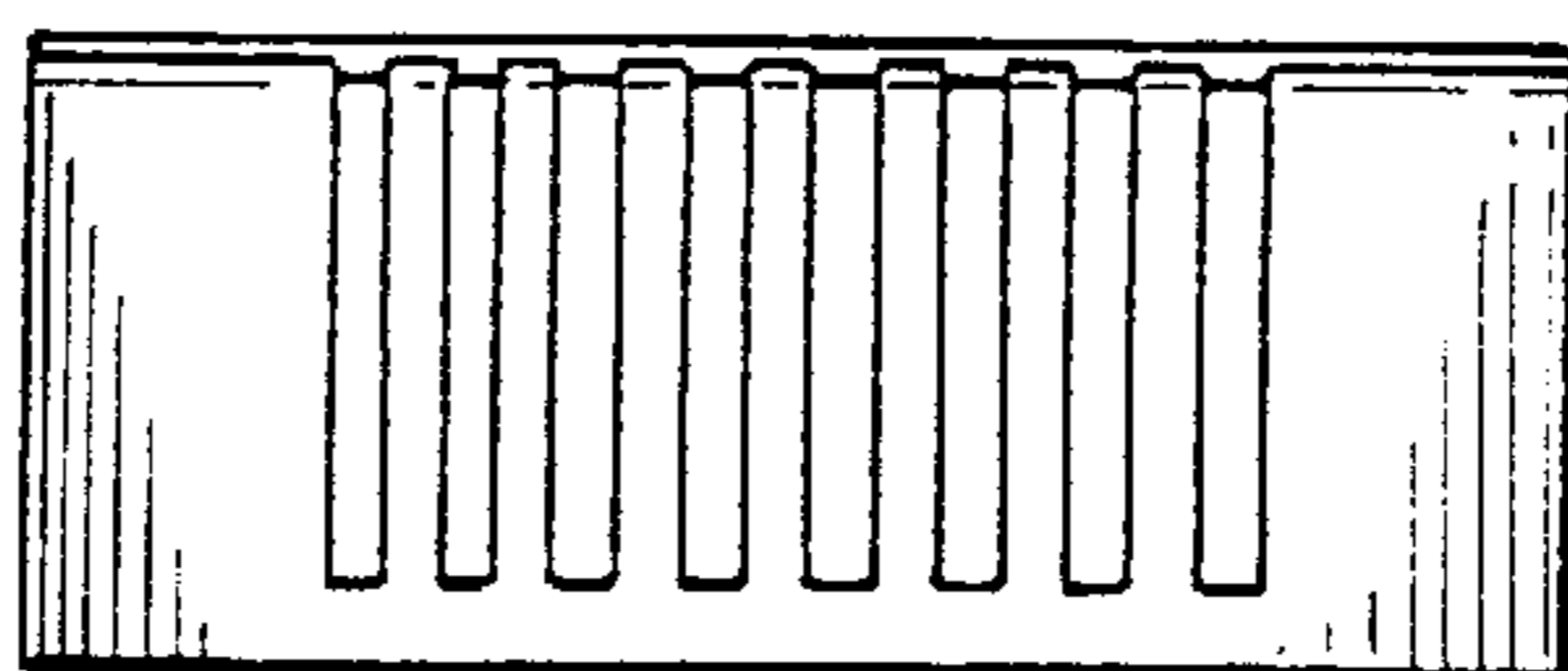


FIG. 5

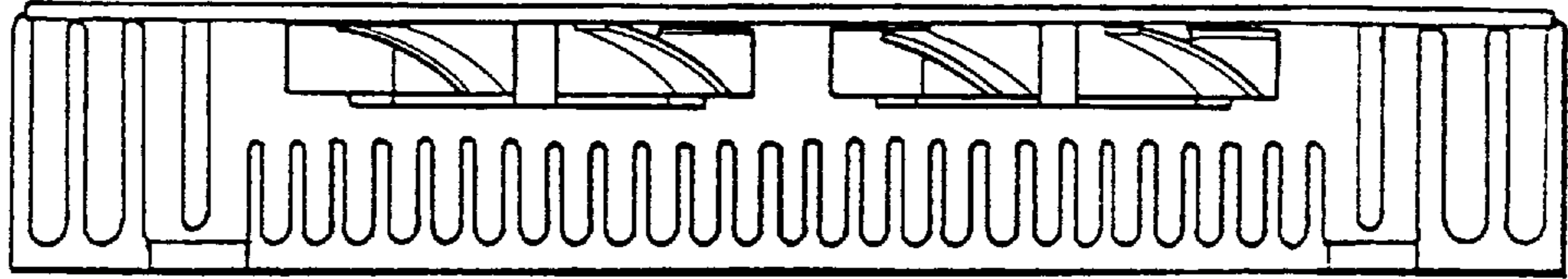


FIG 6

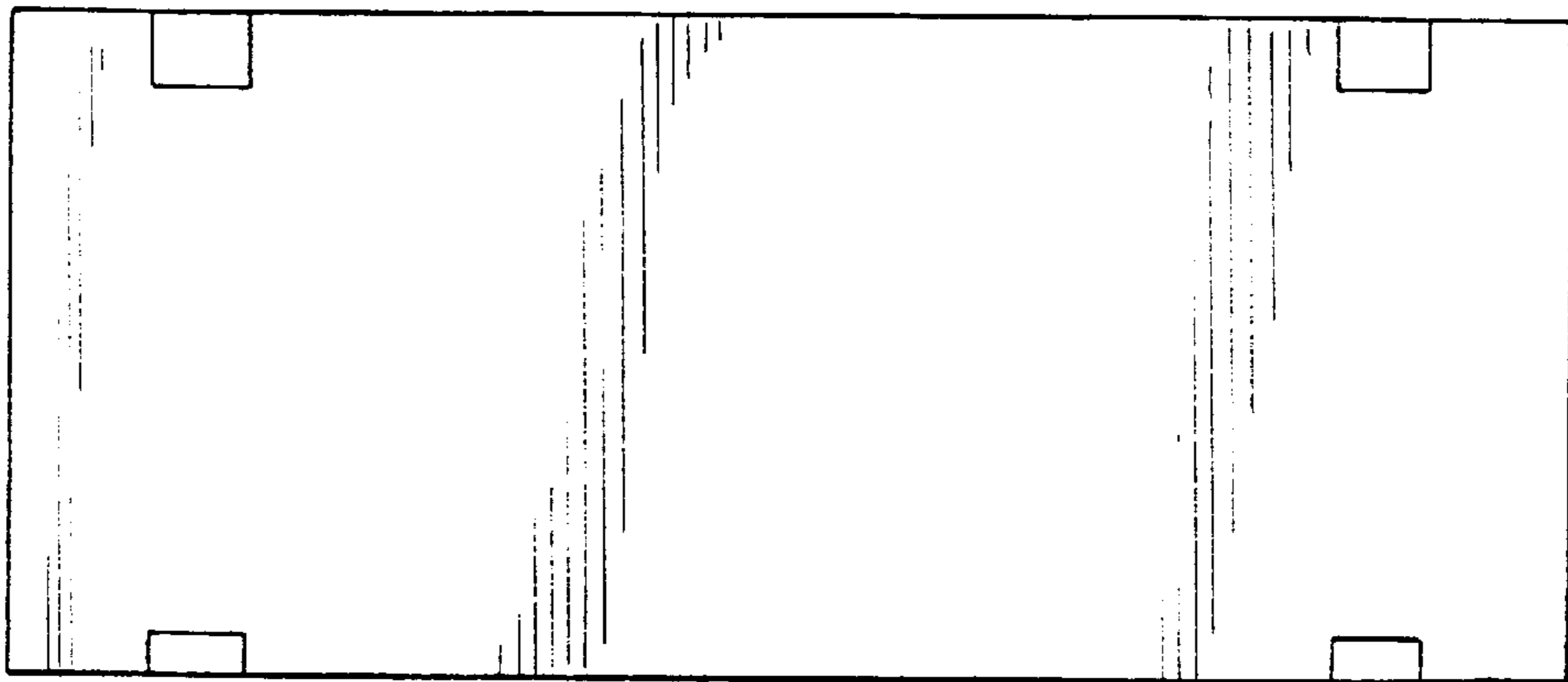


FIG.7

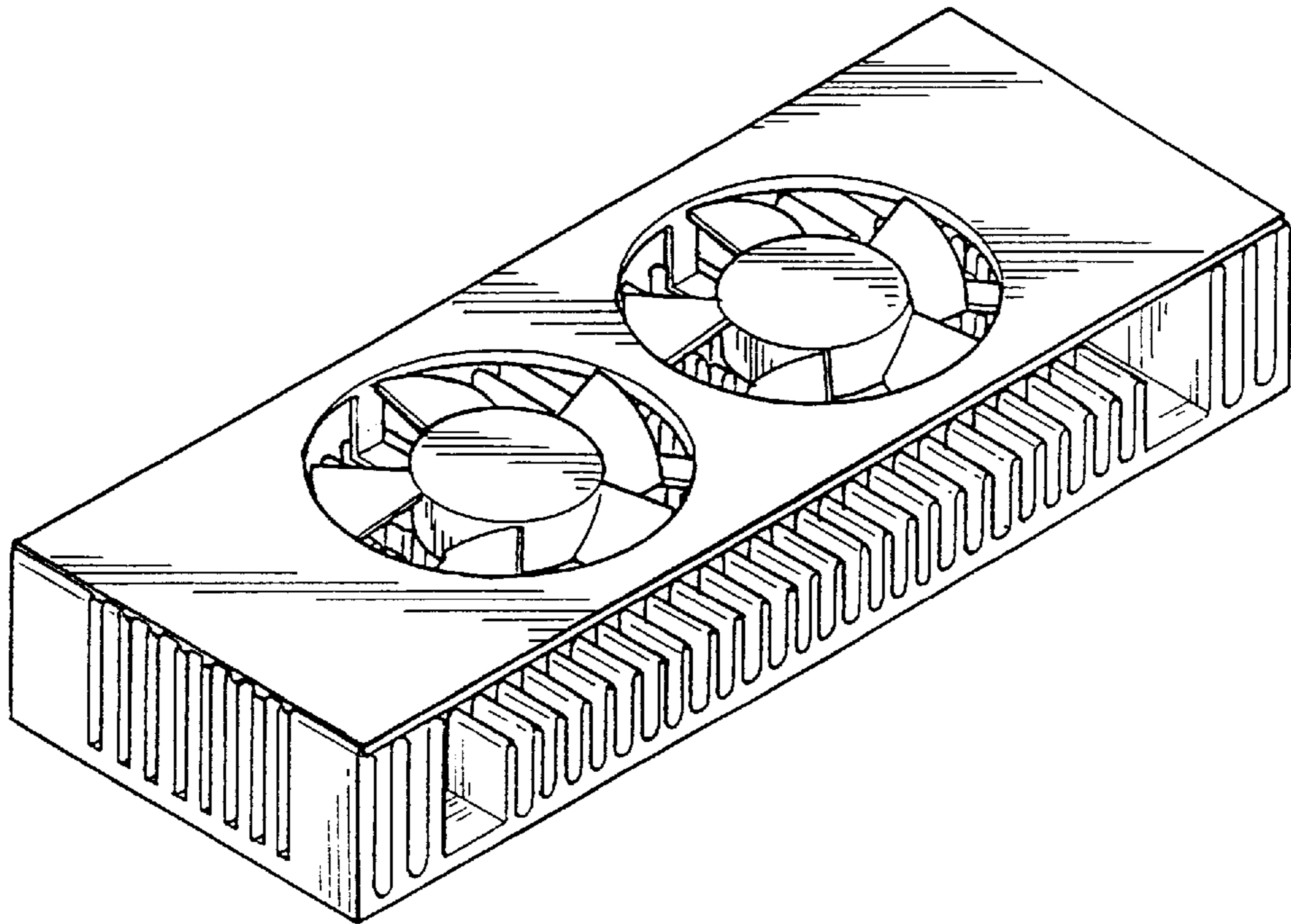


FIG.8

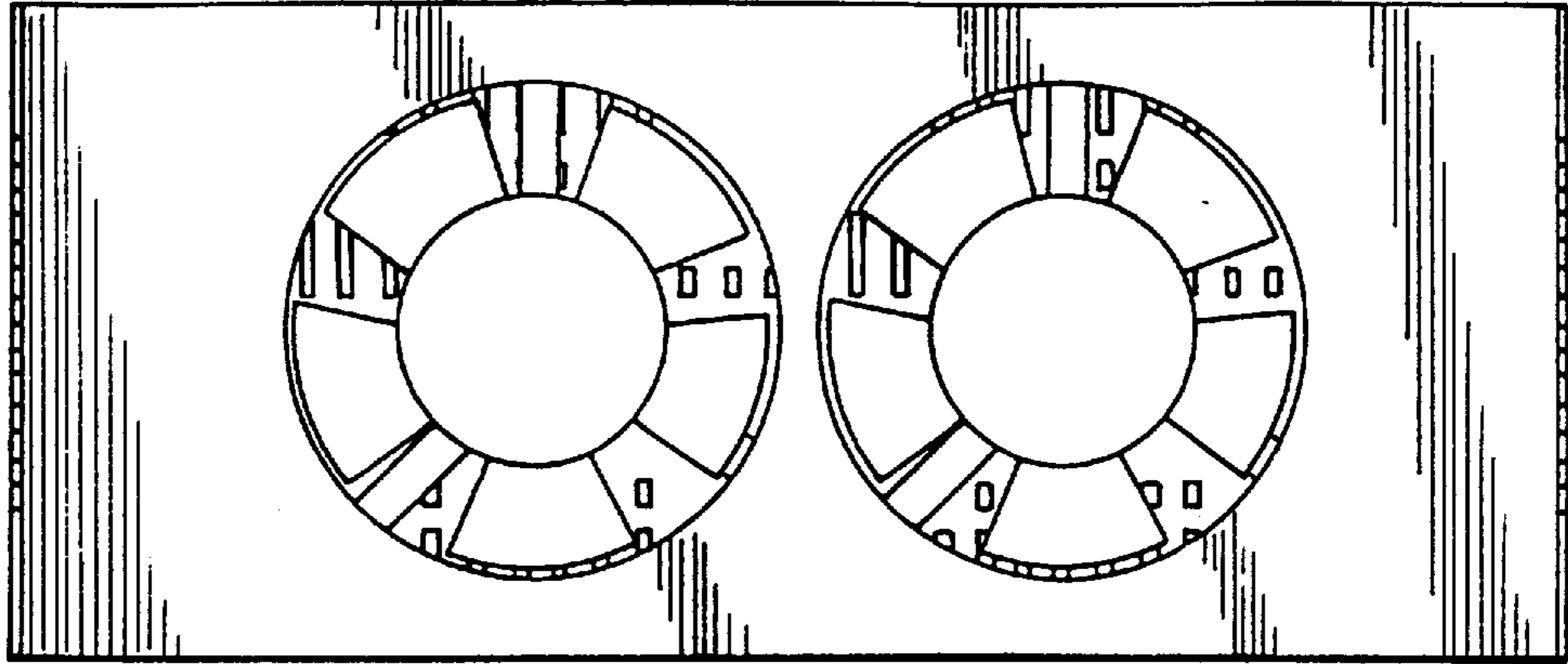


FIG. 9

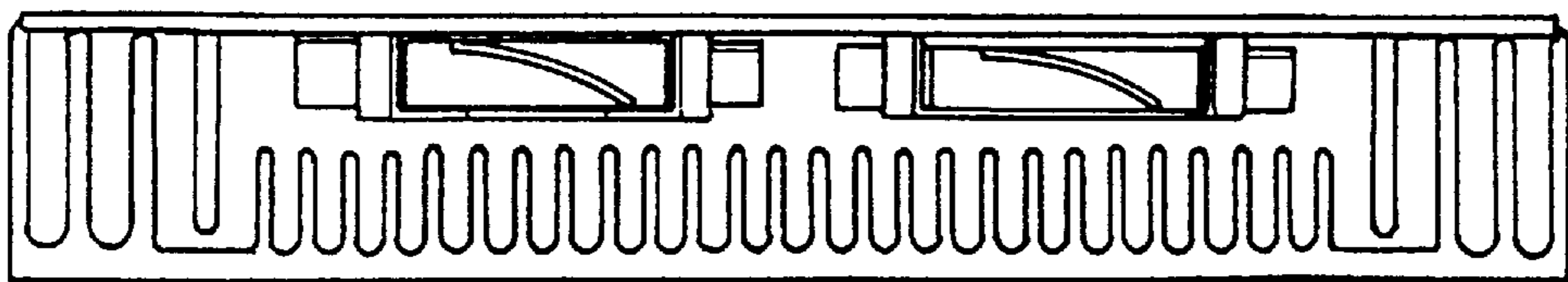


FIG. 10

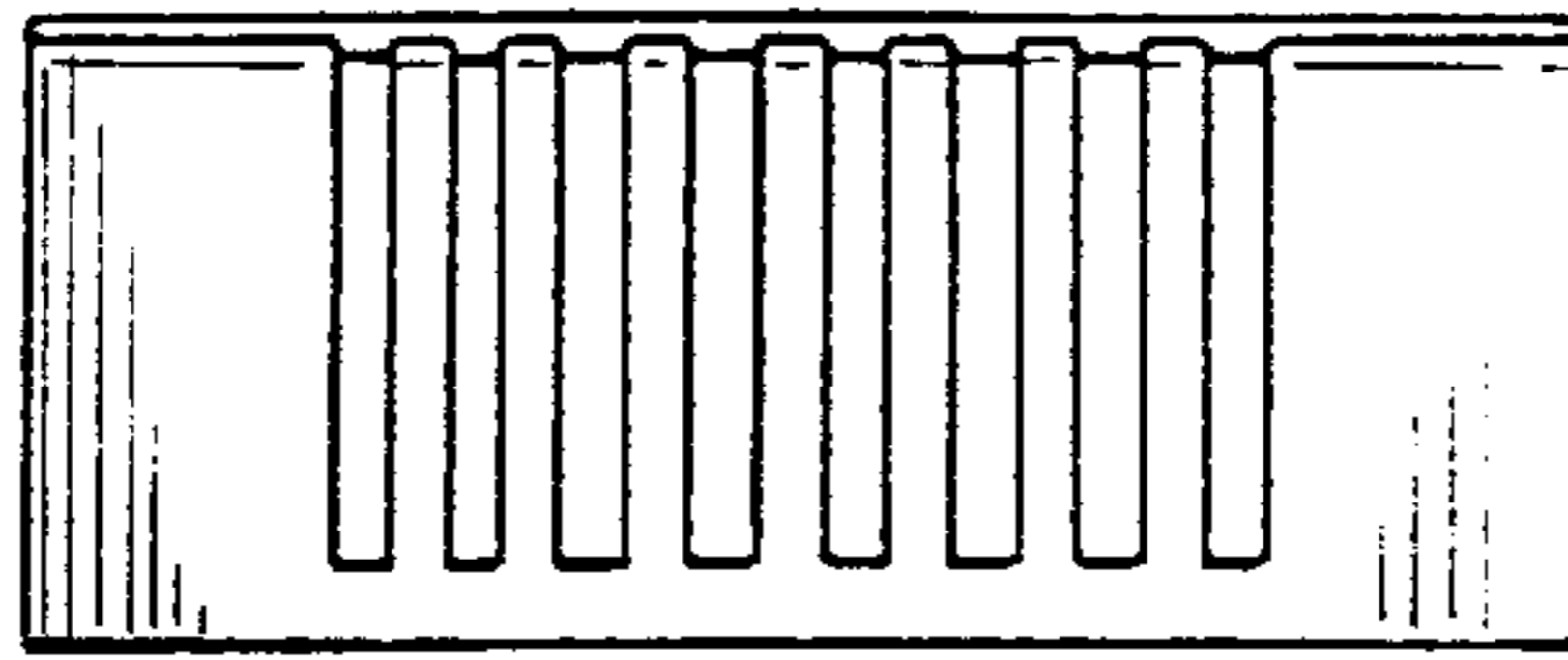


FIG.11

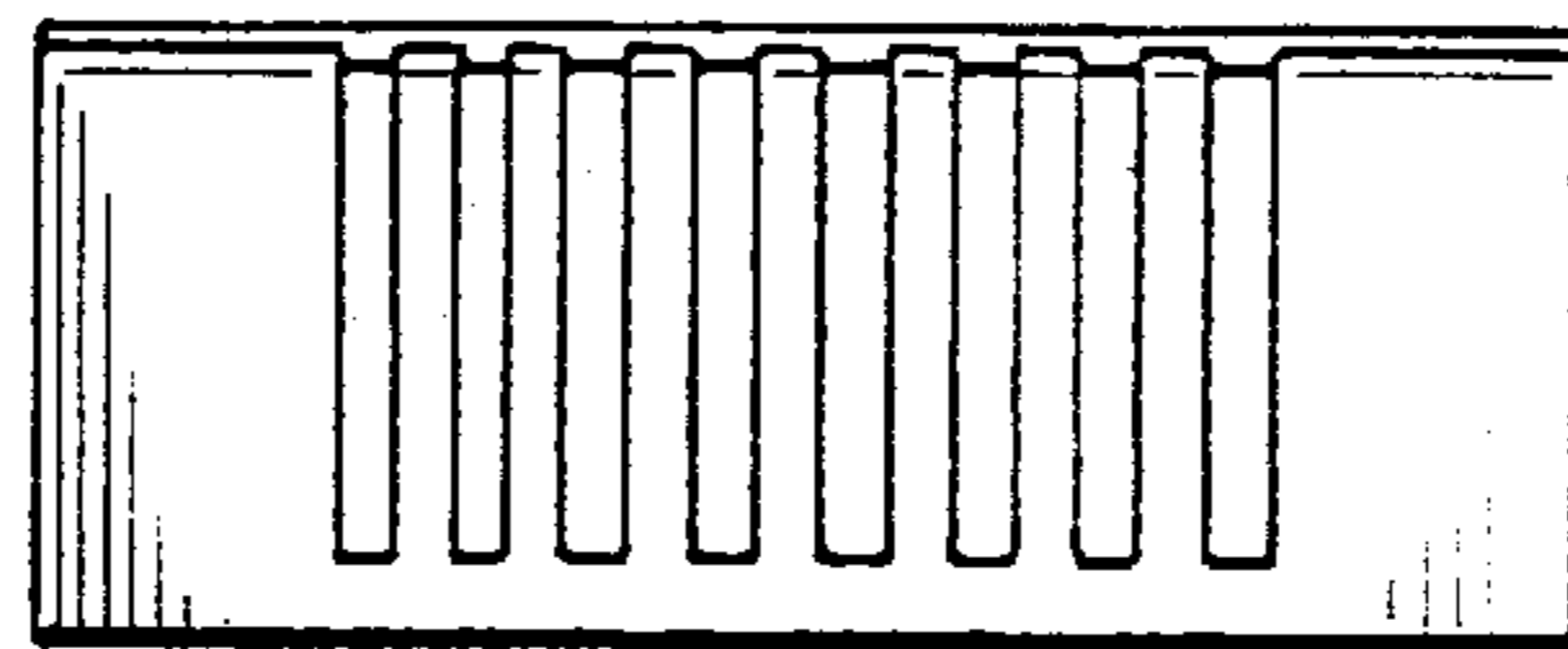


FIG.12

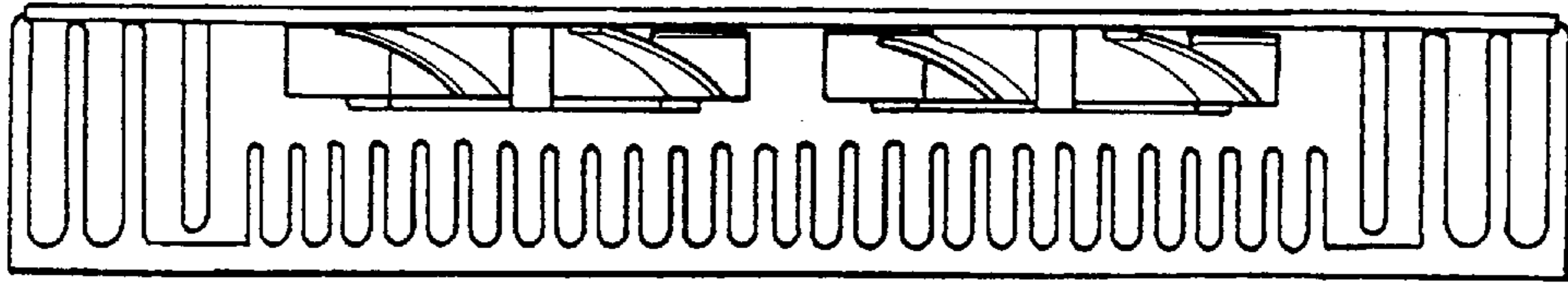


FIG. 13

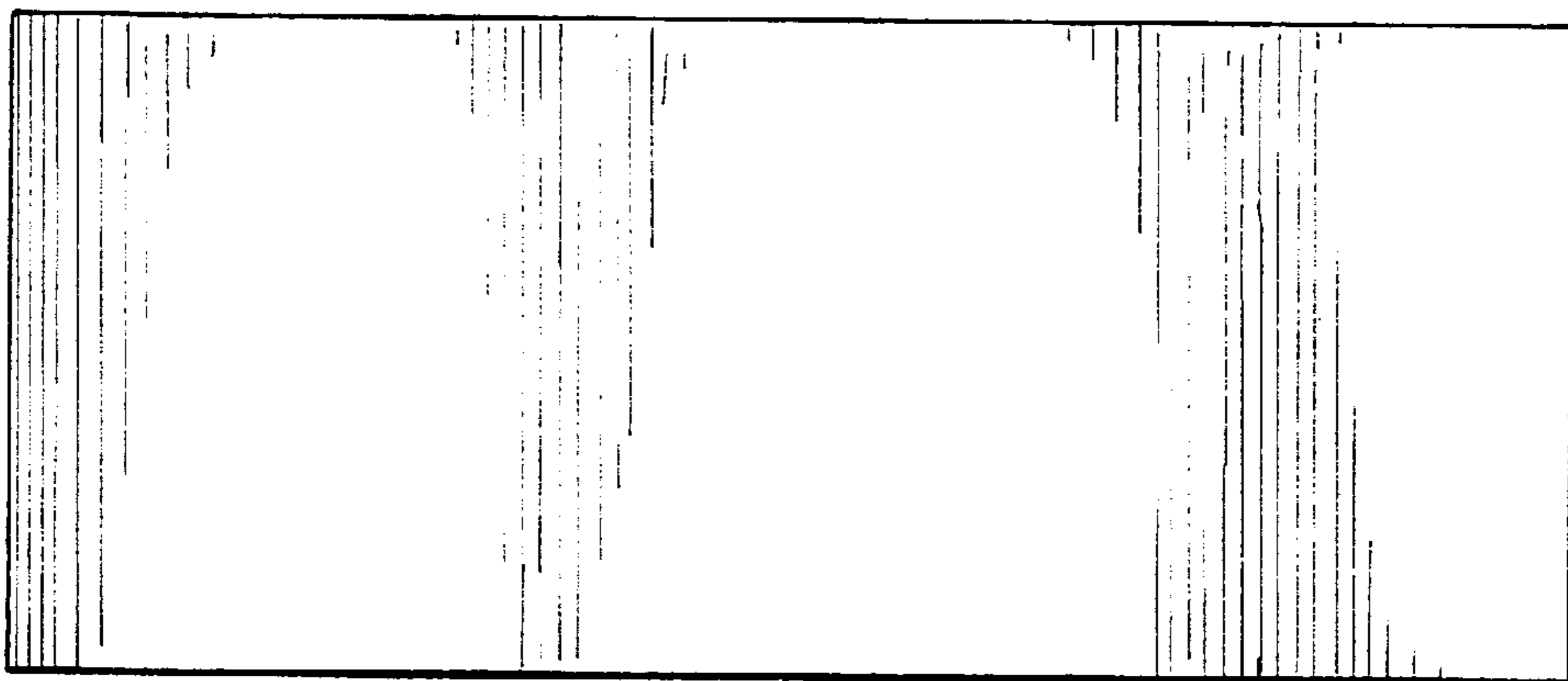


FIG. 14