



US00D398977S

United States Patent [19] Horng

[11] Patent Number: **Des. 398,977**

[45] Date of Patent: ****Sep. 29, 1998**

[54] **HEAT DISSIPATION FAN**

2230147 10/1990 United Kingdom 361/695

[75] Inventor: **Alex Horng**, Kaohsiung, Taiwan

Primary Examiner—Lisa Lichtenstein
Attorney, Agent, or Firm—Cushman Darby & Cushman IP
Group of Pillsbury, Madison & Sutro, LLP

[73] Assignee: **Sunonwealth Electric Machine
Industry Co., Ltd.**, Taipei, Taiwan

[**] Term: **14 Years**

[57] CLAIM

The ornamental design for a heat dissipation fan, as shown and described.

[21] Appl. No.: **77,730**

DESCRIPTION

[22] Filed: **Oct. 7, 1997**

[51] **LOC (6) Cl.** **23-04**

[52] **U.S. Cl.** **D23/370; D14/114**

[58] **Field of Search** D23/370; 415/176,
415/177, 178, 211.2; 361/697, 695; 165/80.3,
121; D14/114

FIG. 1 is a perspective view of the heat dissipation fan in accordance with the first embodiment of the claimed design; FIG. 2 is a top plan view thereof; FIG. 3 is a right side elevational view thereof; FIG. 4 is a front elevational view thereof; FIG. 5 is a rear elevational view thereof; FIG. 6 is a left side elevational view thereof; FIG. 7 is a bottom plan view thereof; FIG. 8 is a perspective view of the heat dissipation fan in accordance with the second embodiment of the claimed design; FIG. 9 is a top plan view of FIG. 8; FIG. 10 is a right side elevational view of FIG. 8; FIG. 11 is a front elevational view of FIG. 8; FIG. 12 is a rear elevational view of FIG. 8; FIG. 13 is a left side elevational view of FIG. 8; and, FIG. 14 is a bottom plan view of FIG. 8.

[56] References Cited

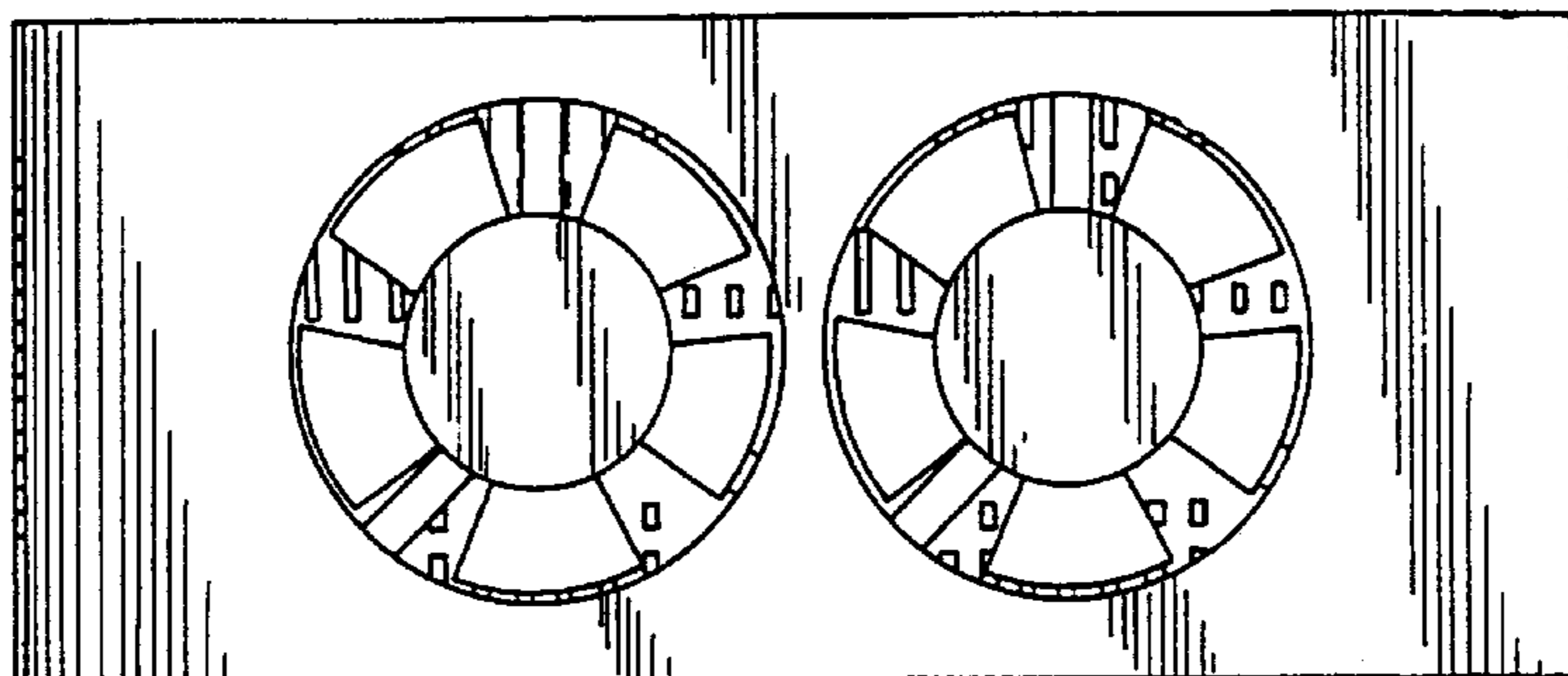
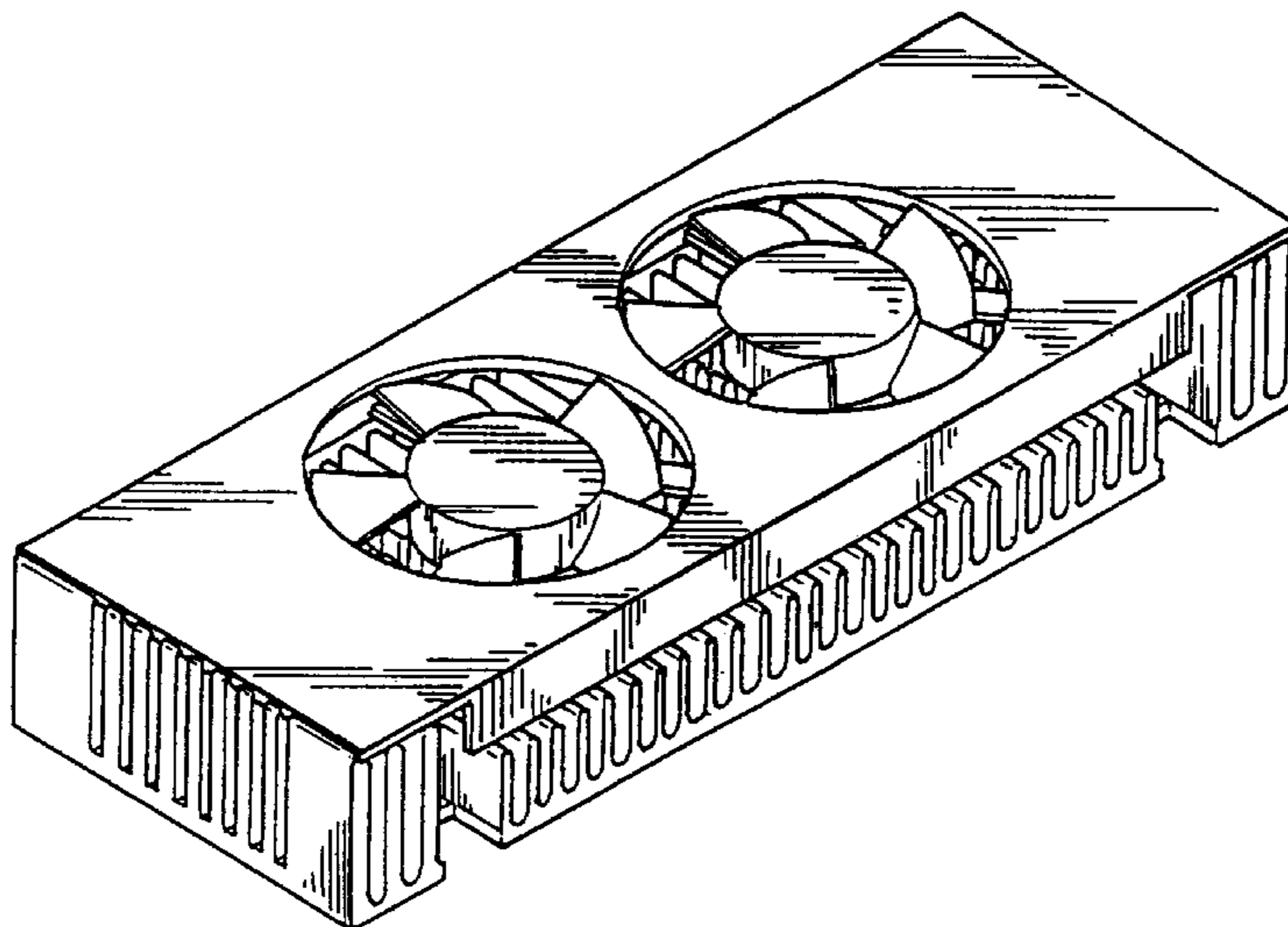
U.S. PATENT DOCUMENTS

5,288,203	2/1994	Thomas	415/176
5,309,983	5/1994	Bailey	165/80.3
5,582,506	12/1996	Hong	415/177
5,629,834	5/1997	Kodama et al.	415/176
5,638,895	6/1997	Dodson	165/80.3
5,689,404	11/1997	Katsui	415/178

FOREIGN PATENT DOCUMENTS

3408139	9/1985	Germany	361/695
---------	--------	---------	---------

1 Claim, 8 Drawing Sheets



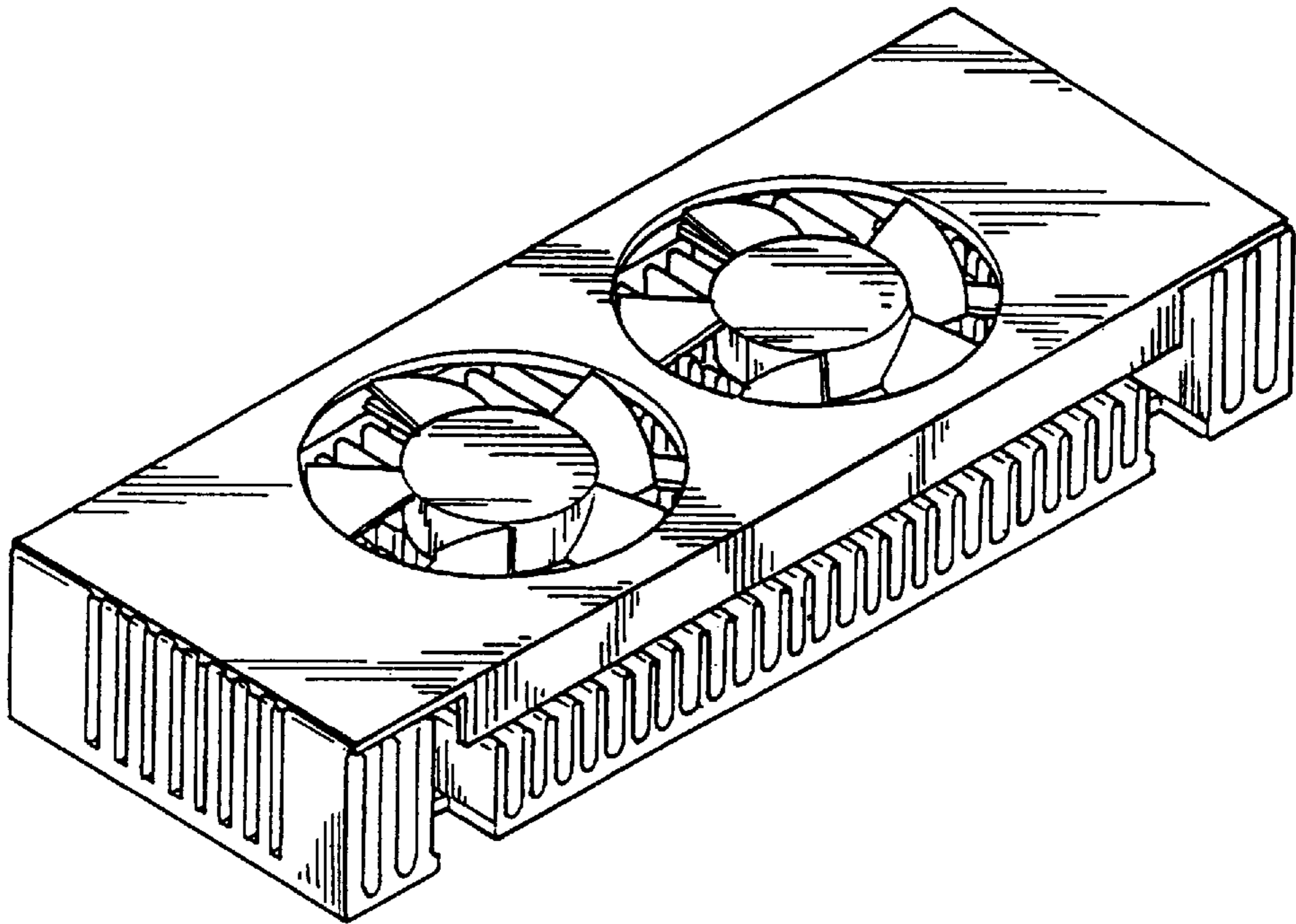


FIG.1

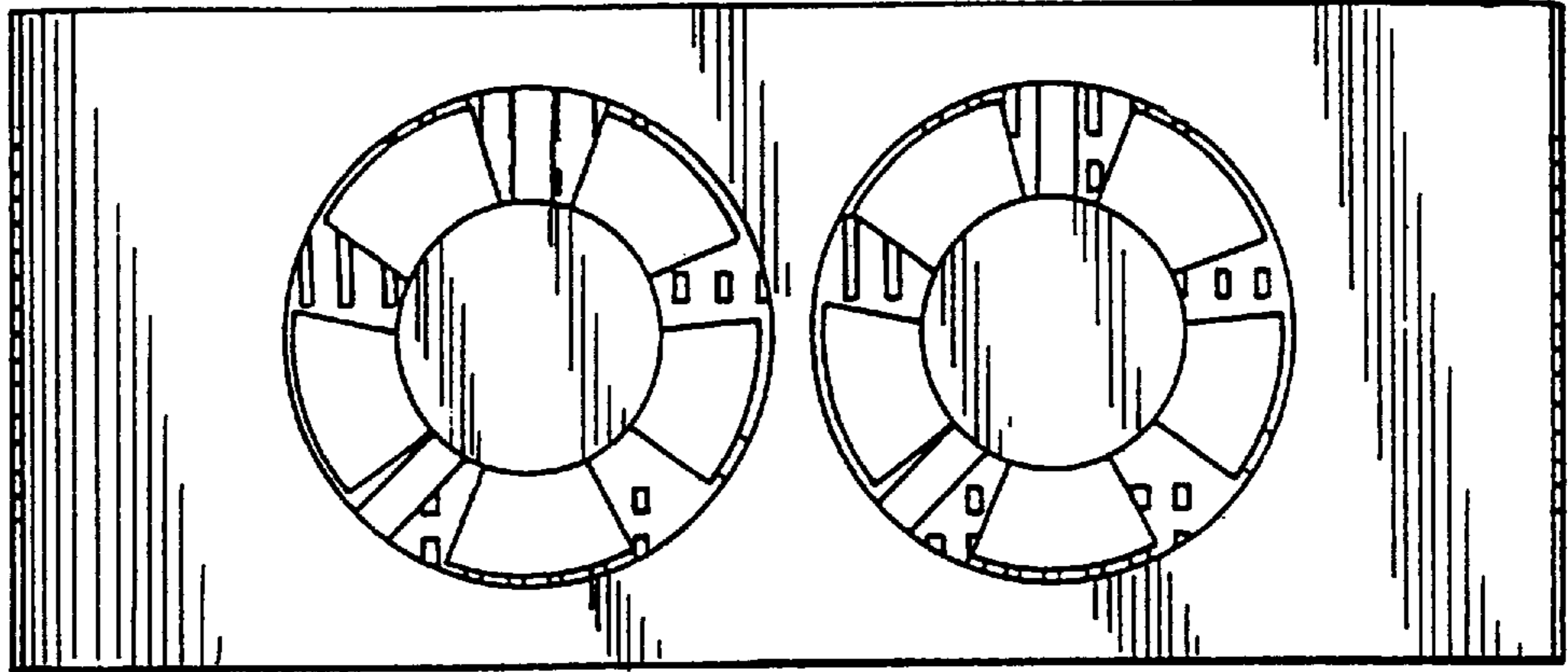


FIG. 2

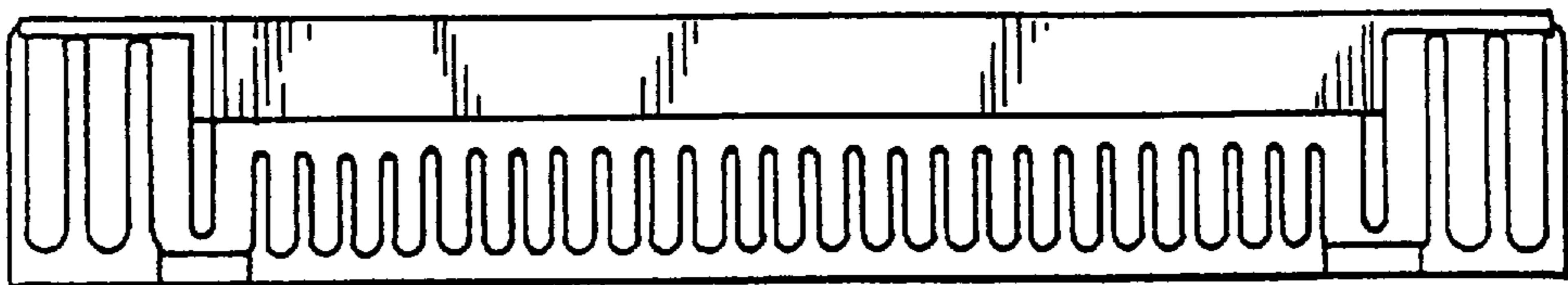


FIG. 3

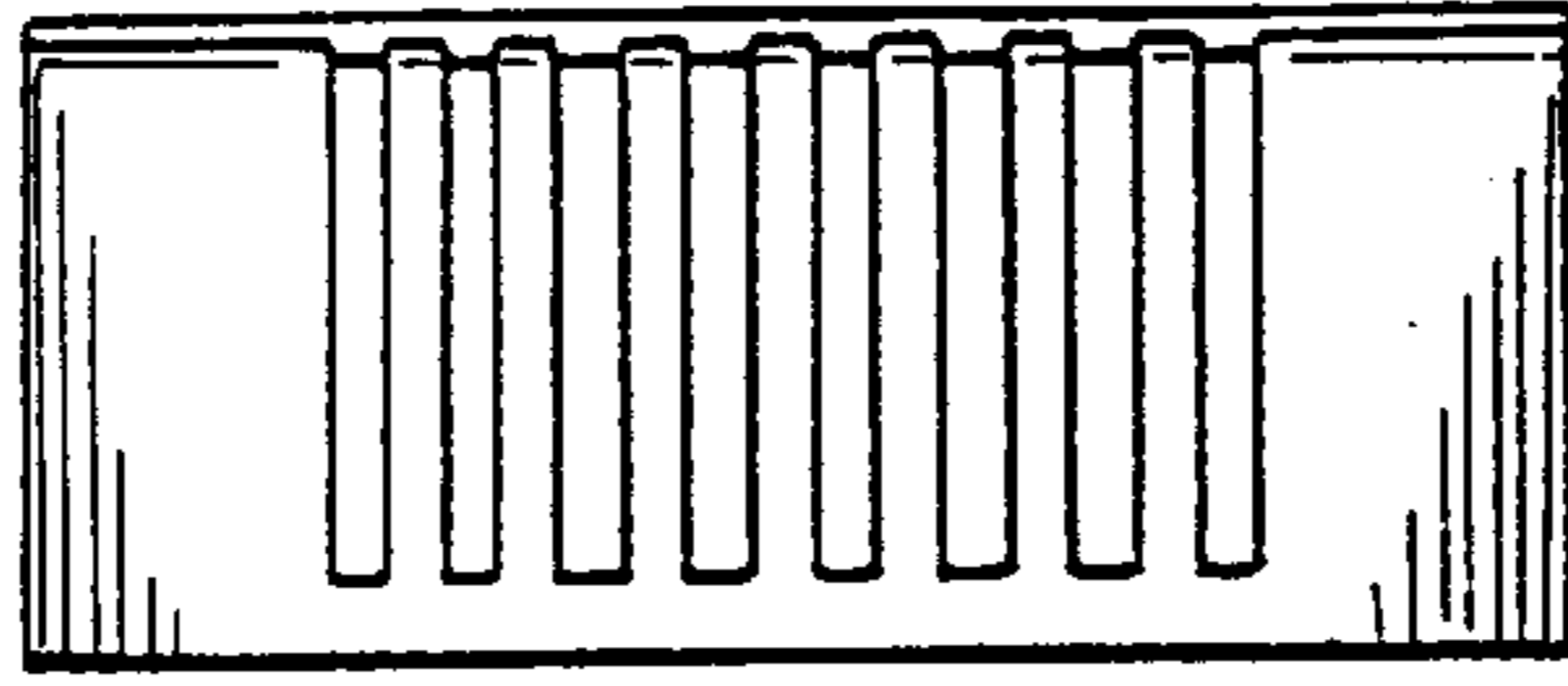


FIG. 4

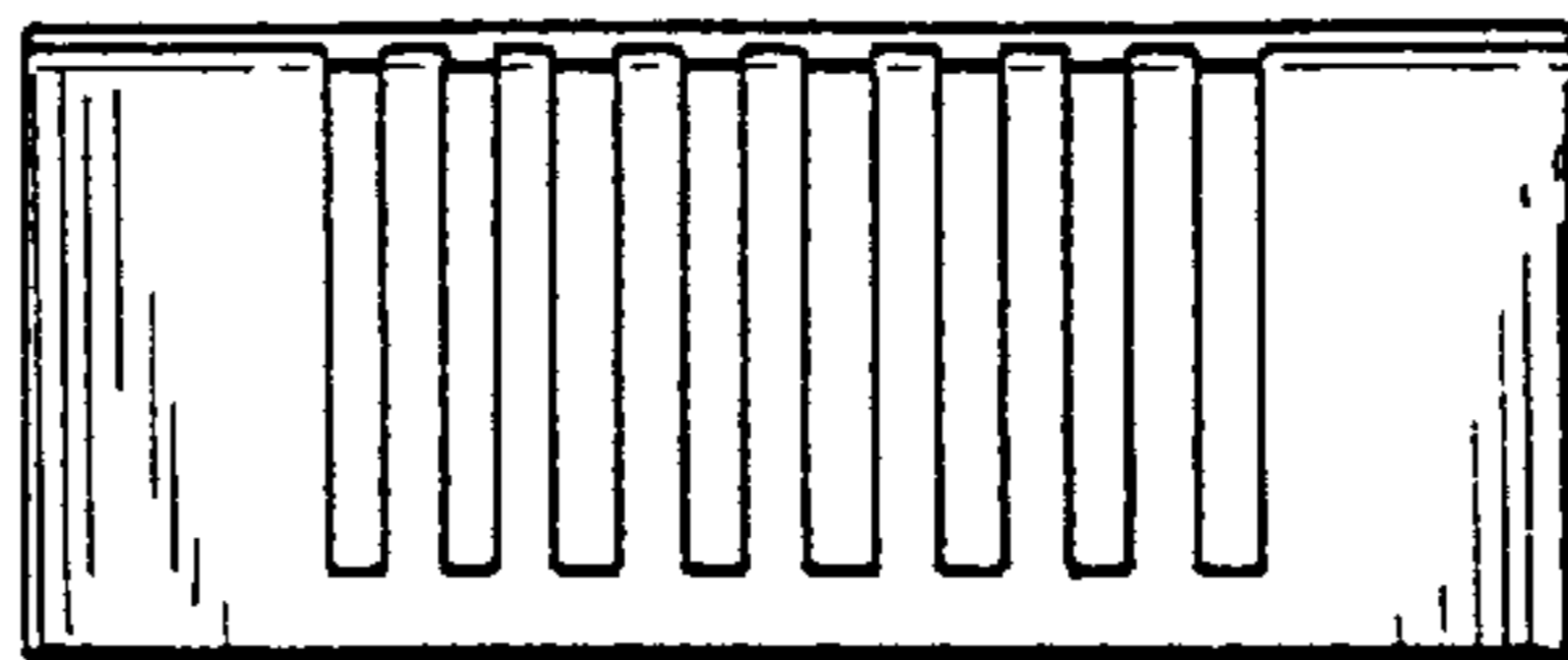


FIG. 5

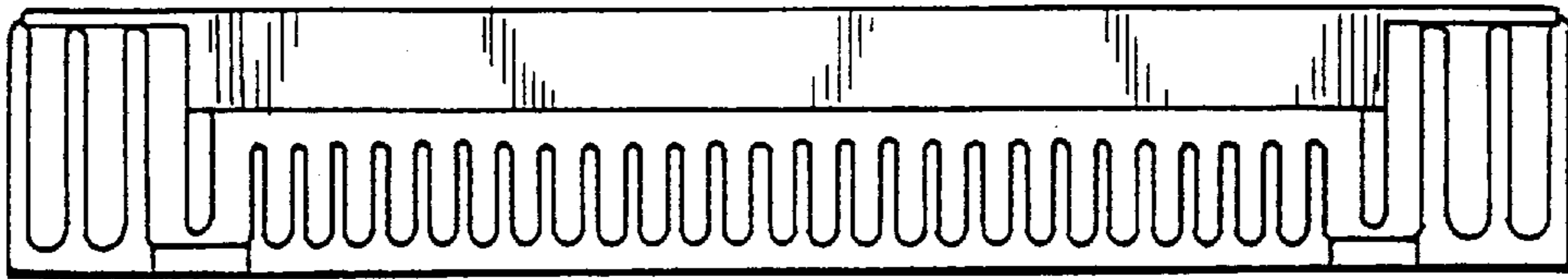


FIG. 6

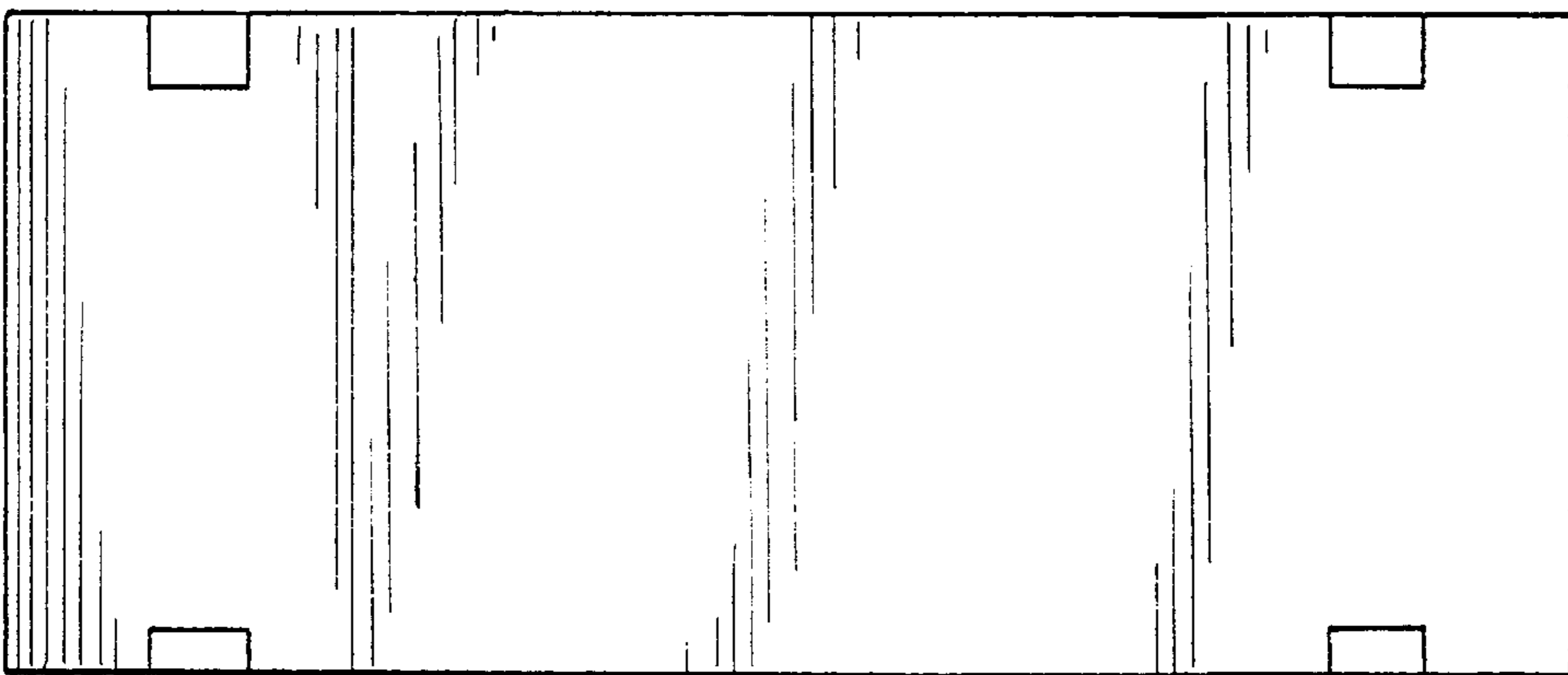


FIG. 7

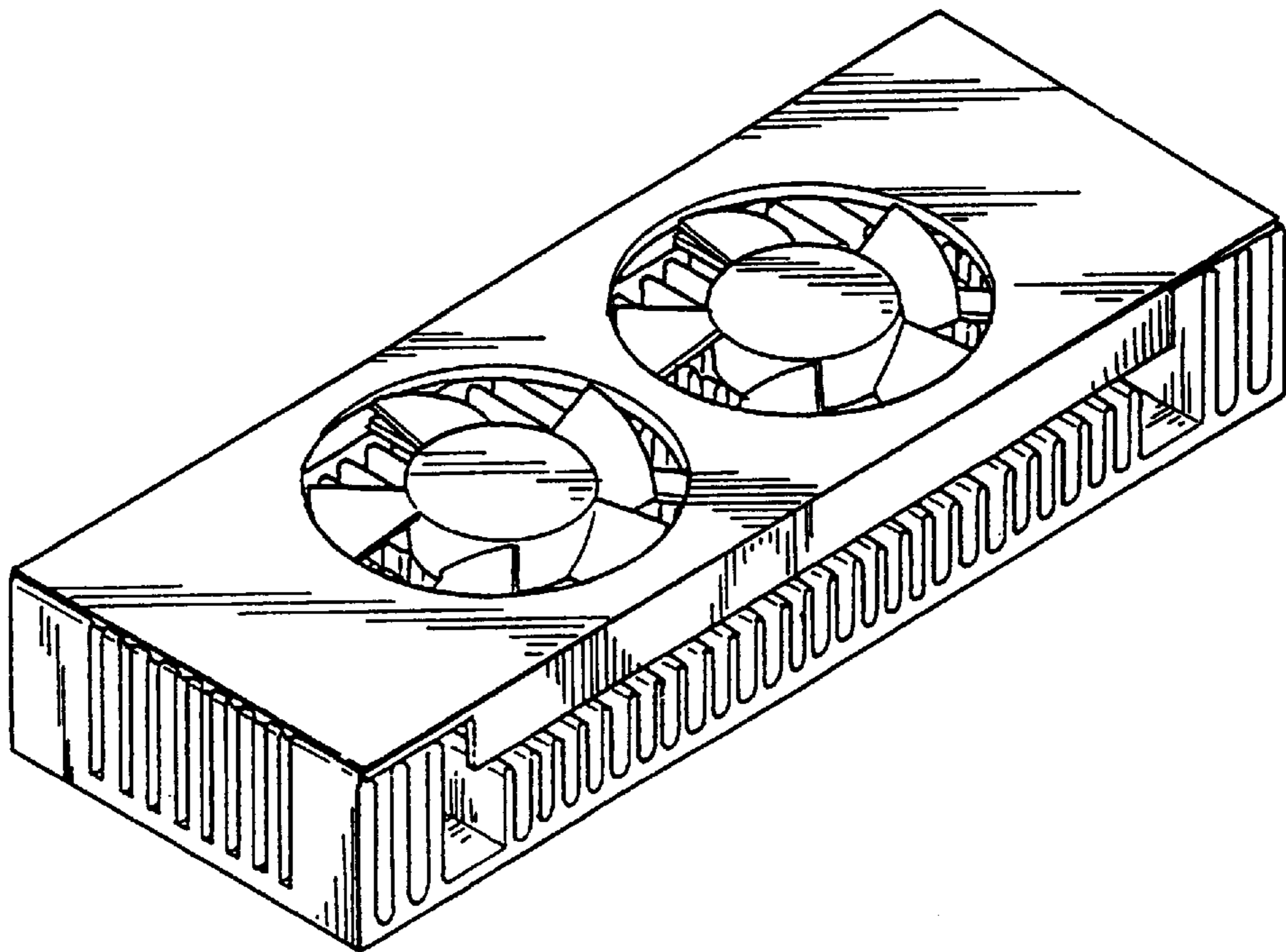


FIG.8

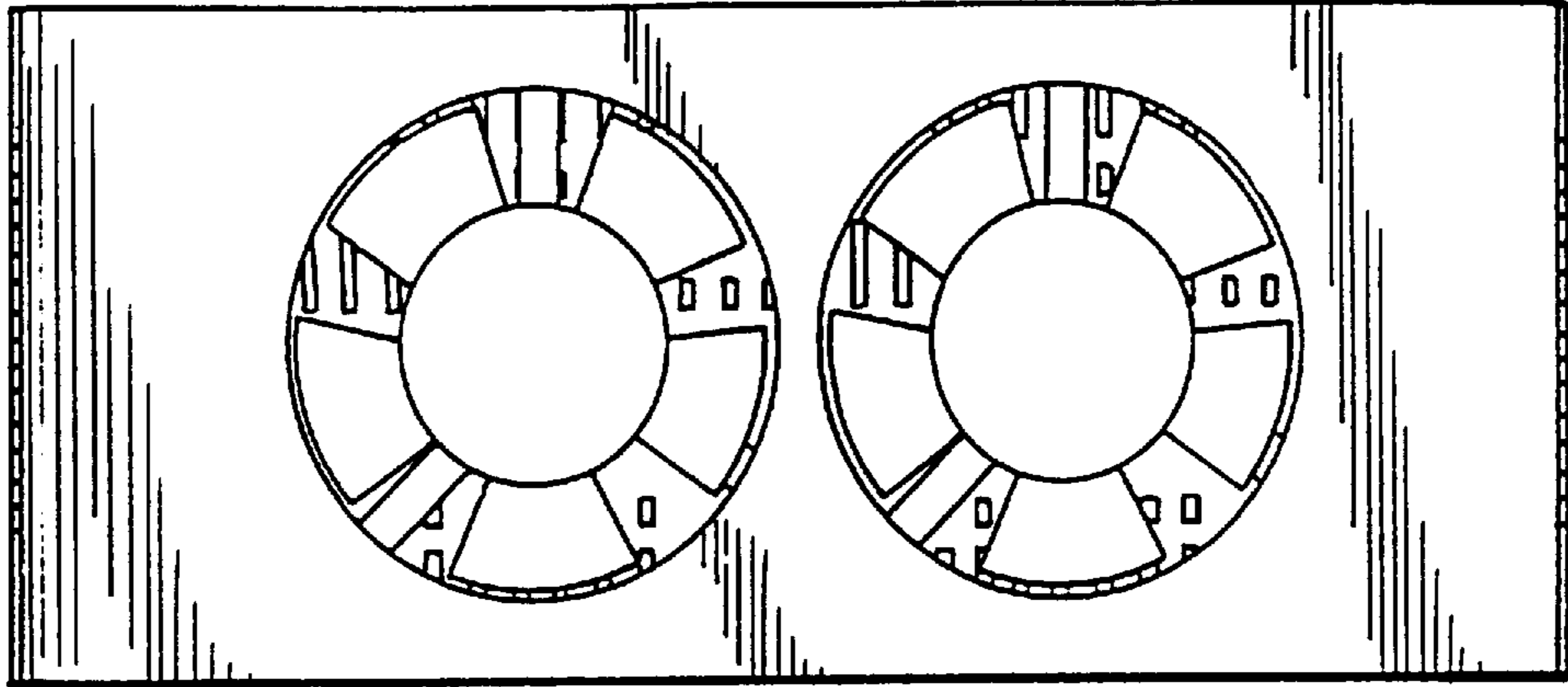


FIG. 9

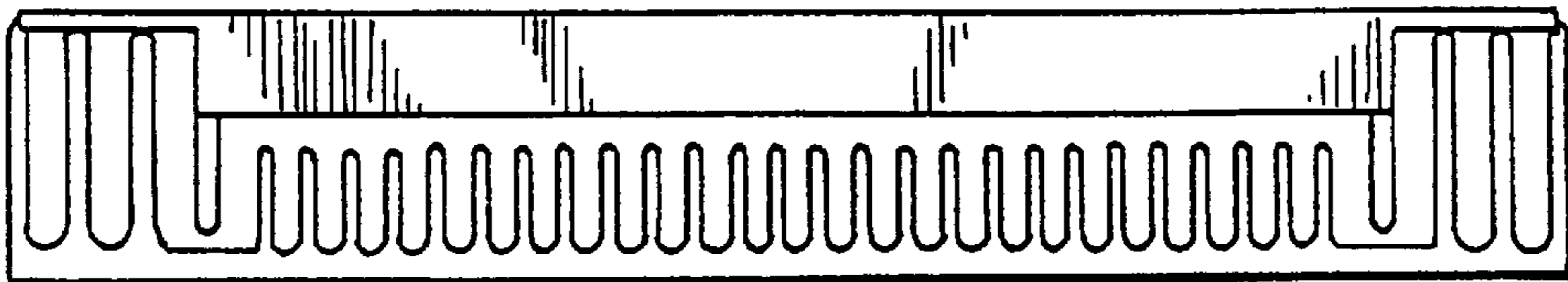


FIG. 10

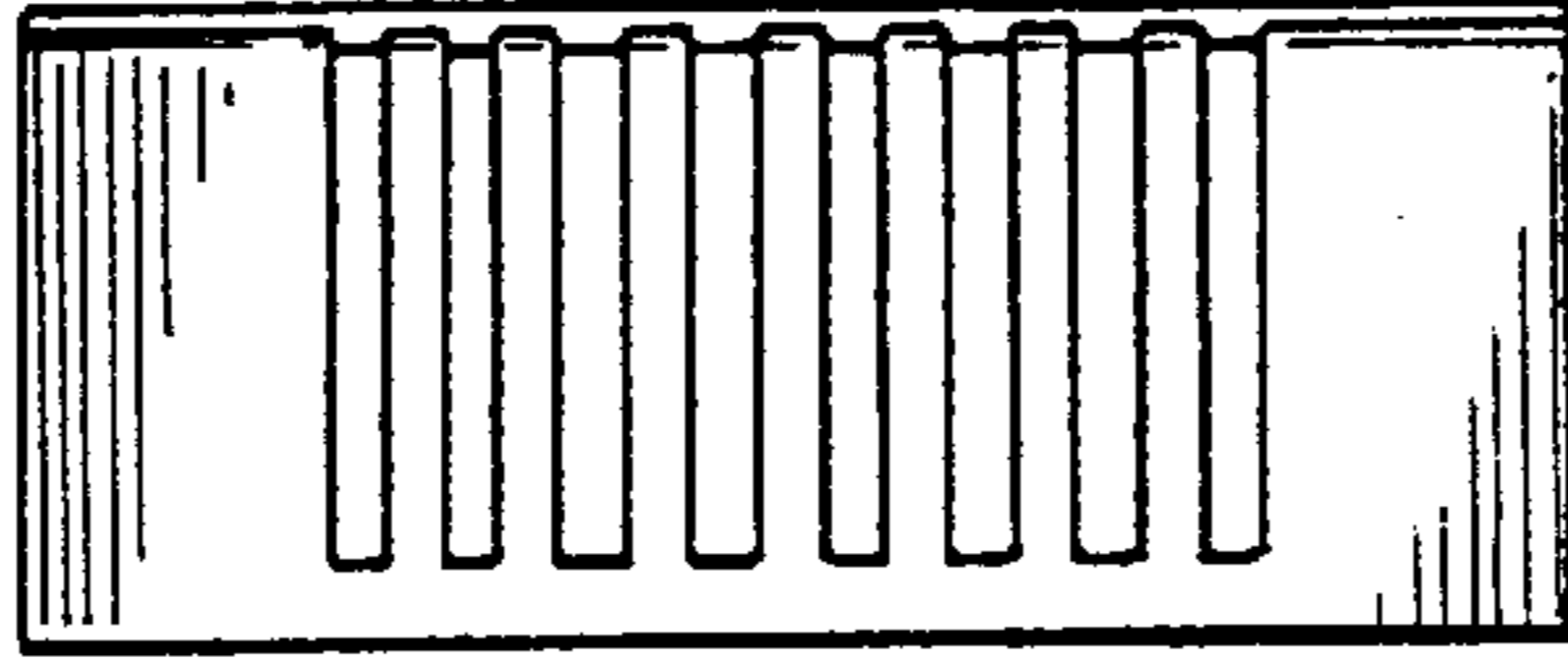


FIG. 11

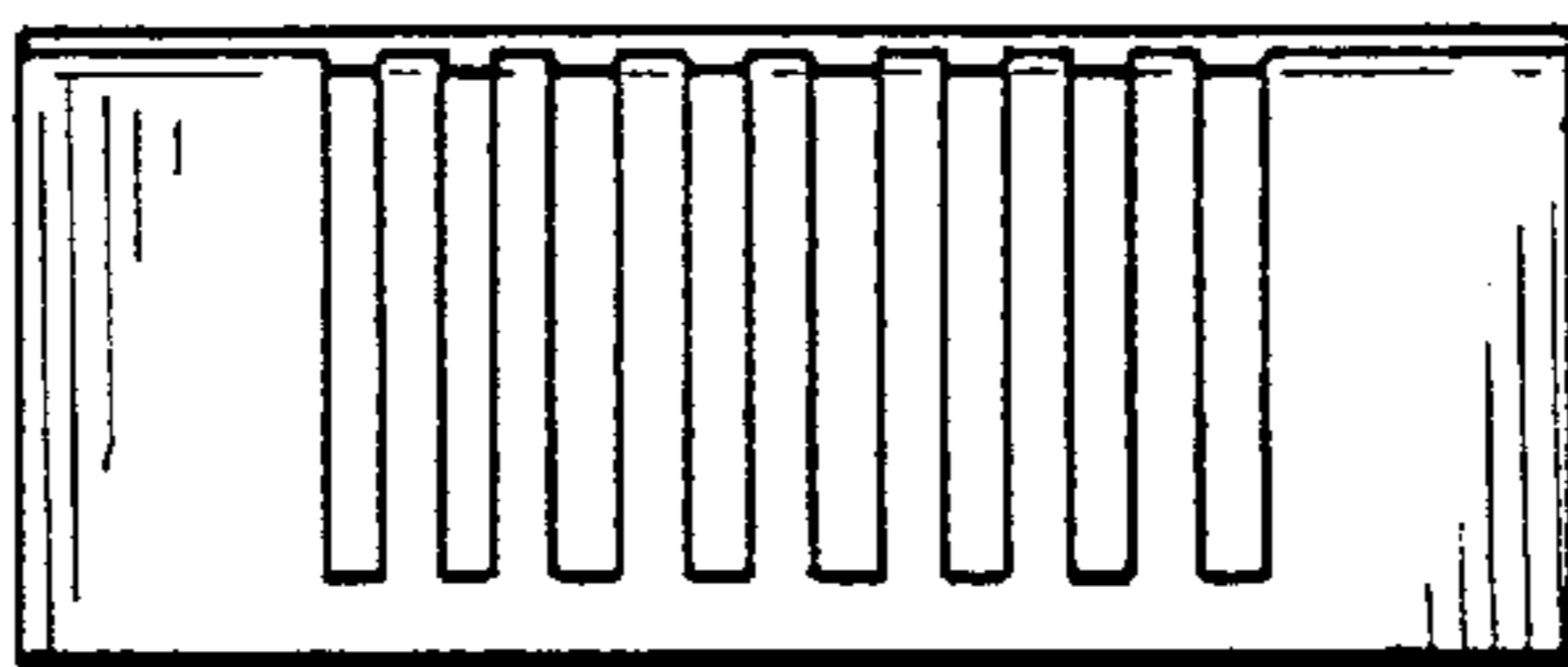


FIG. 12

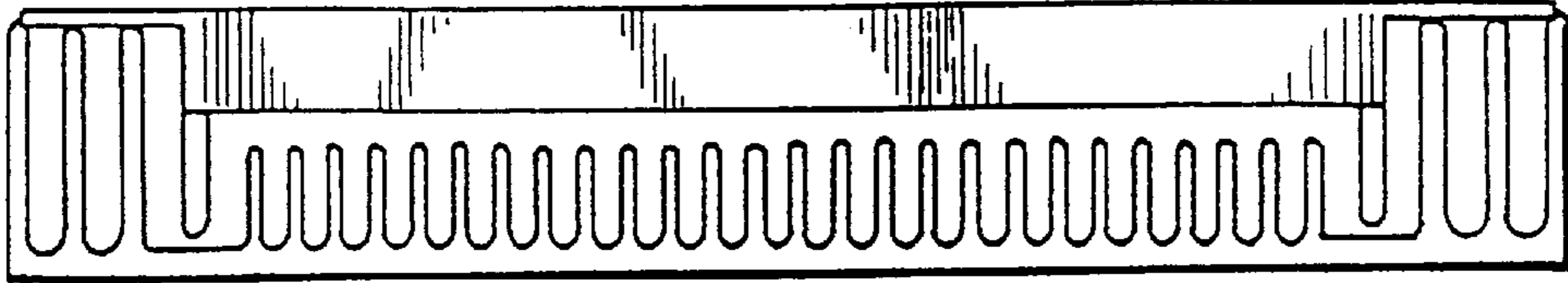


FIG. 13

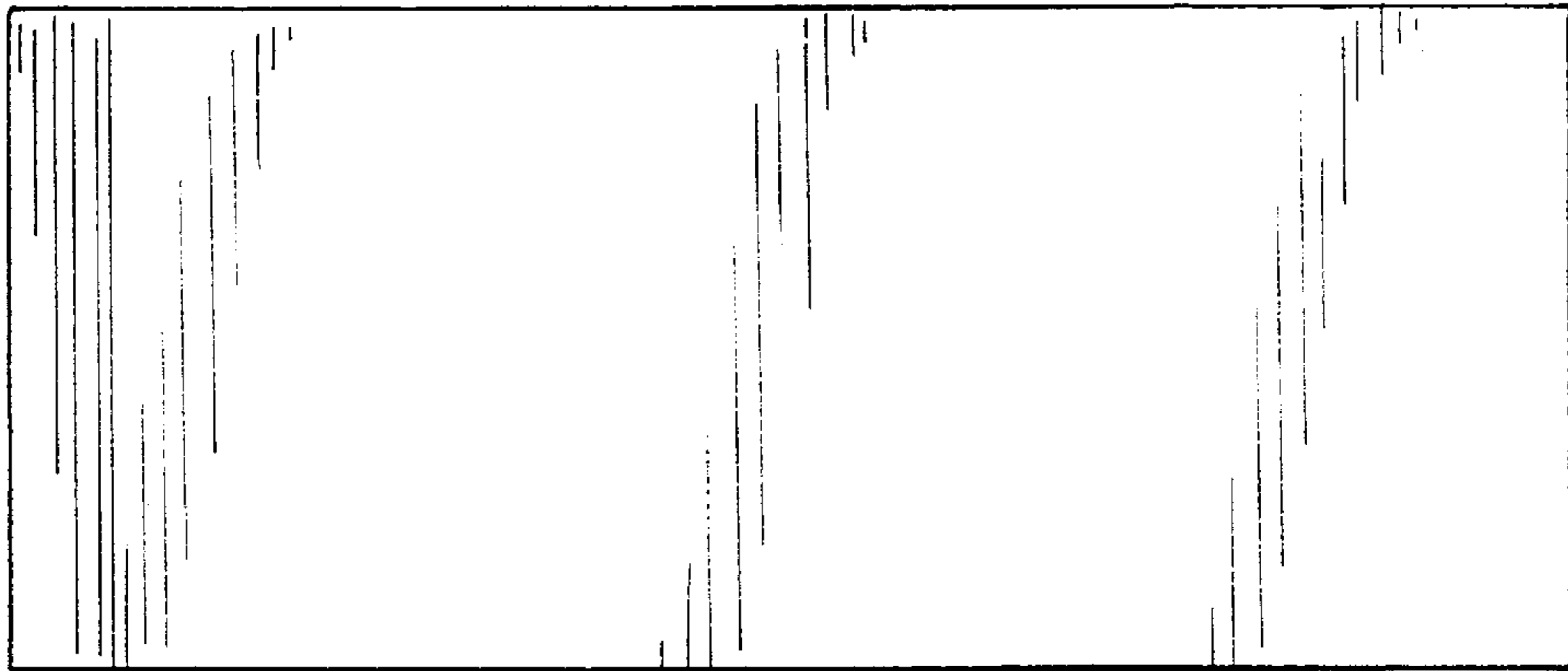


FIG. 14