



US00D398974S

United States Patent [19]
Aihara

[11] **Patent Number: Des. 398,974**
[45] **Date of Patent: **Sep. 29, 1998**

[54] **AIR CONDITIONER**

[75] Inventor: **Sanae Aihara**, Yokohama, Japan

[73] Assignee: **Mitsubishi Denki Kabushiki Kaisha**,
Tokyo, Japan

[**] Term: **14 Years**

[21] Appl. No.: **72,870**

[22] Filed: **Jun. 3, 1997**

Related U.S. Application Data

[63] Continuation of Ser. No. 52,823, Apr. 9, 1996, abandoned.

Foreign Application Priority Data

Oct. 11, 1995 [JP] Japan 7-30330

[51] **LOC (6) Cl.** **23-04**

[52] **U.S. Cl.** **D23/351; D23/354**

[58] **Field of Search** **D23/351, 353,**
D23/354, 370; 62/DIG. 16; 454/292

[56] **References Cited**

U.S. PATENT DOCUMENTS

D. 323,209 1/1992 Fukumoto et al. D23/351

D. 330,585 10/1992 Saito et al. D23/351

D. 331,458 12/1992 Saito et al. D23/351

FOREIGN PATENT DOCUMENTS

100235 1/1990 Rep. of Korea .

Primary Examiner—Lisa Lichtenstein
Attorney, Agent, or Firm—Oblon, Spivak, McClelland,
Maier & Neustadt, P.C.

[57] **CLAIM**

The ornamental design for an air conditioner, as shown and described.

DESCRIPTION

FIG. 1 is a front elevational view of an air conditioner, showing my new design;
FIG. 2 is a rear elevational view thereof;
FIG. 3 is a top plan view thereof;
FIG. 4 is a bottom plan view thereof;
FIG. 5 is a right side elevational view thereof;
FIG. 6 is a front, top and left side perspective view thereof; and,
FIG. 7 is an enlarged cross-sectional view thereof, taken along line 7—7 of FIG. 1.
The left side elevational view is omitted as that is symmetrical to the right side elevational view.

1 Claim, 5 Drawing Sheets

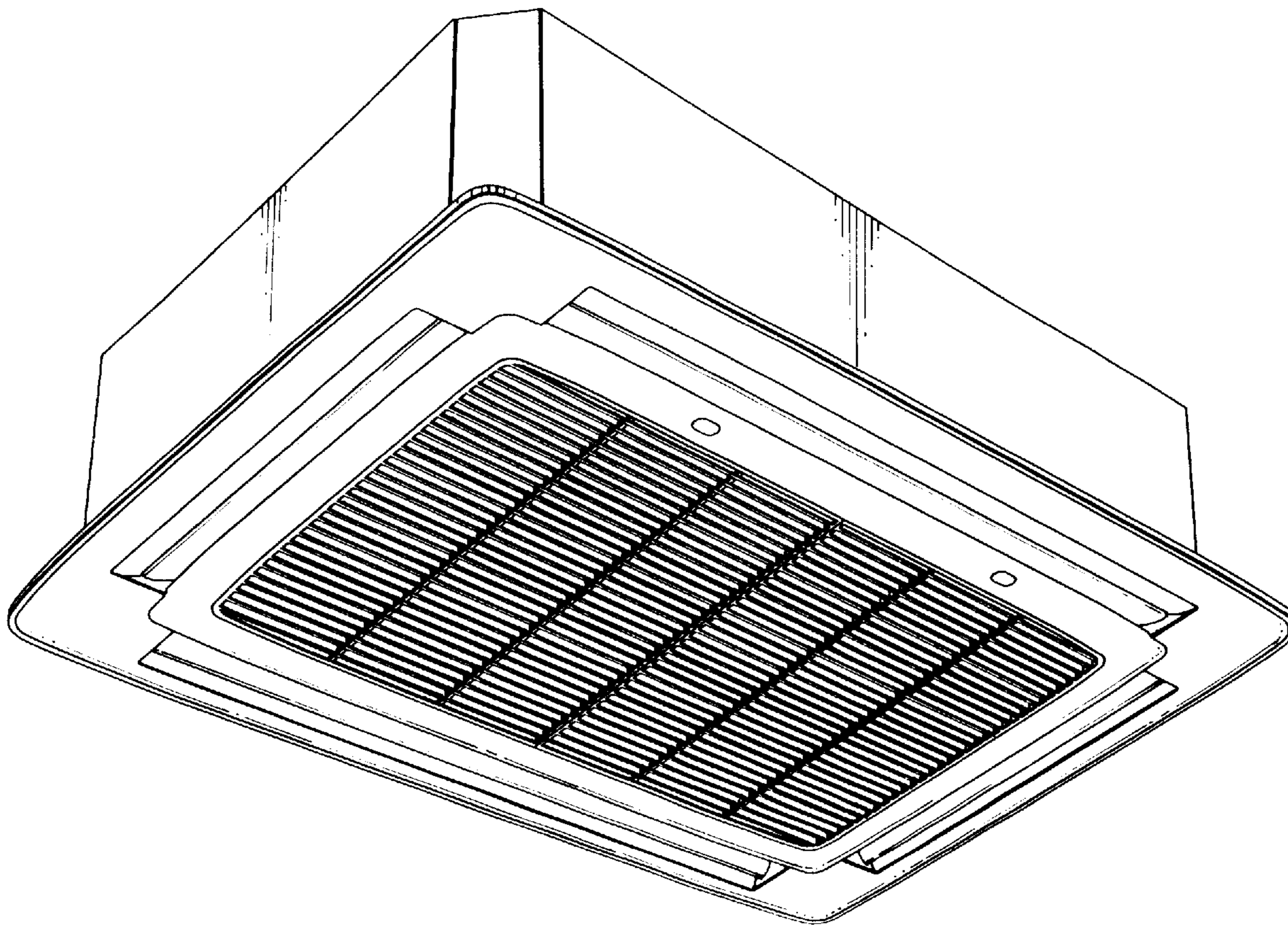


FIG. 1

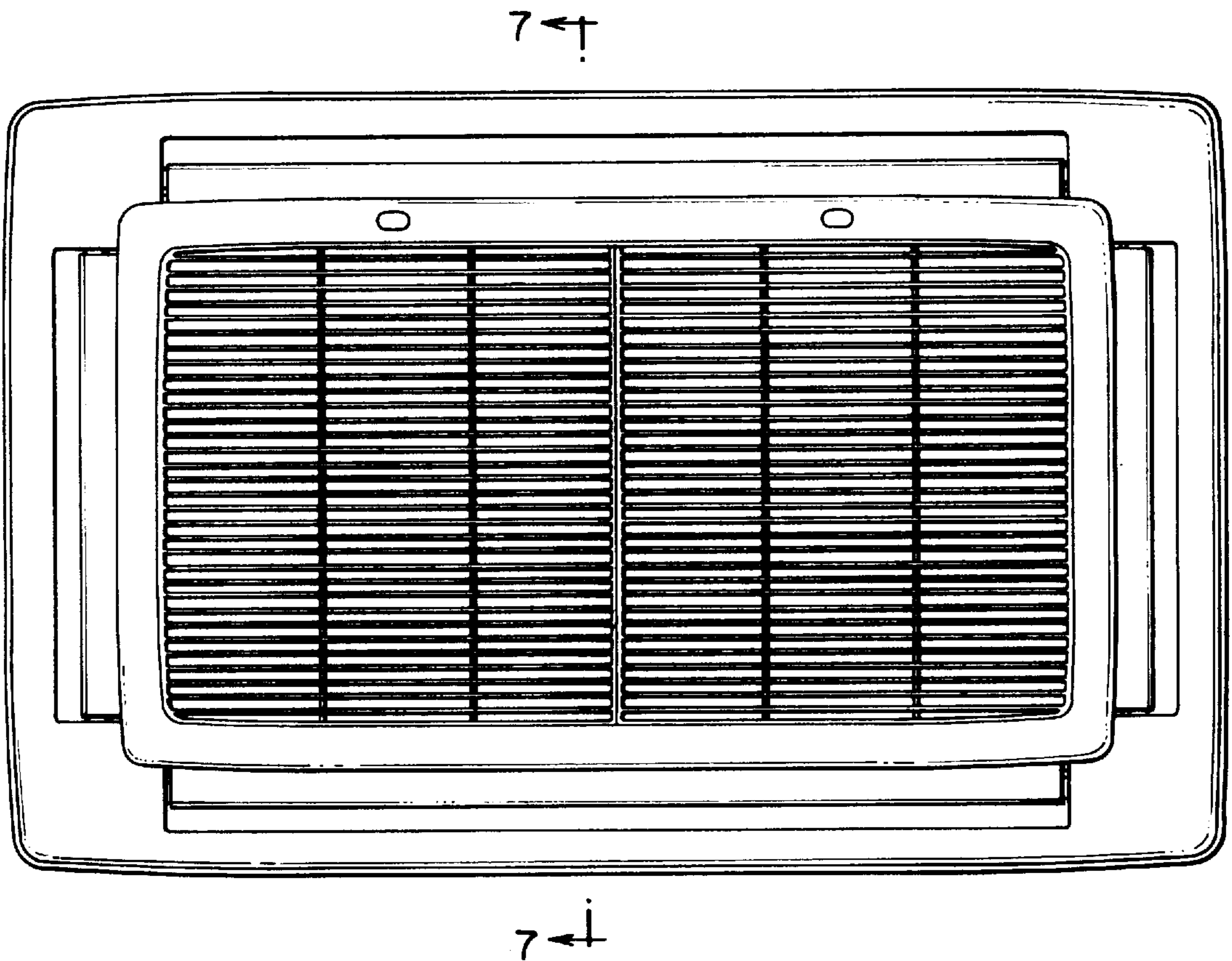


FIG. 2

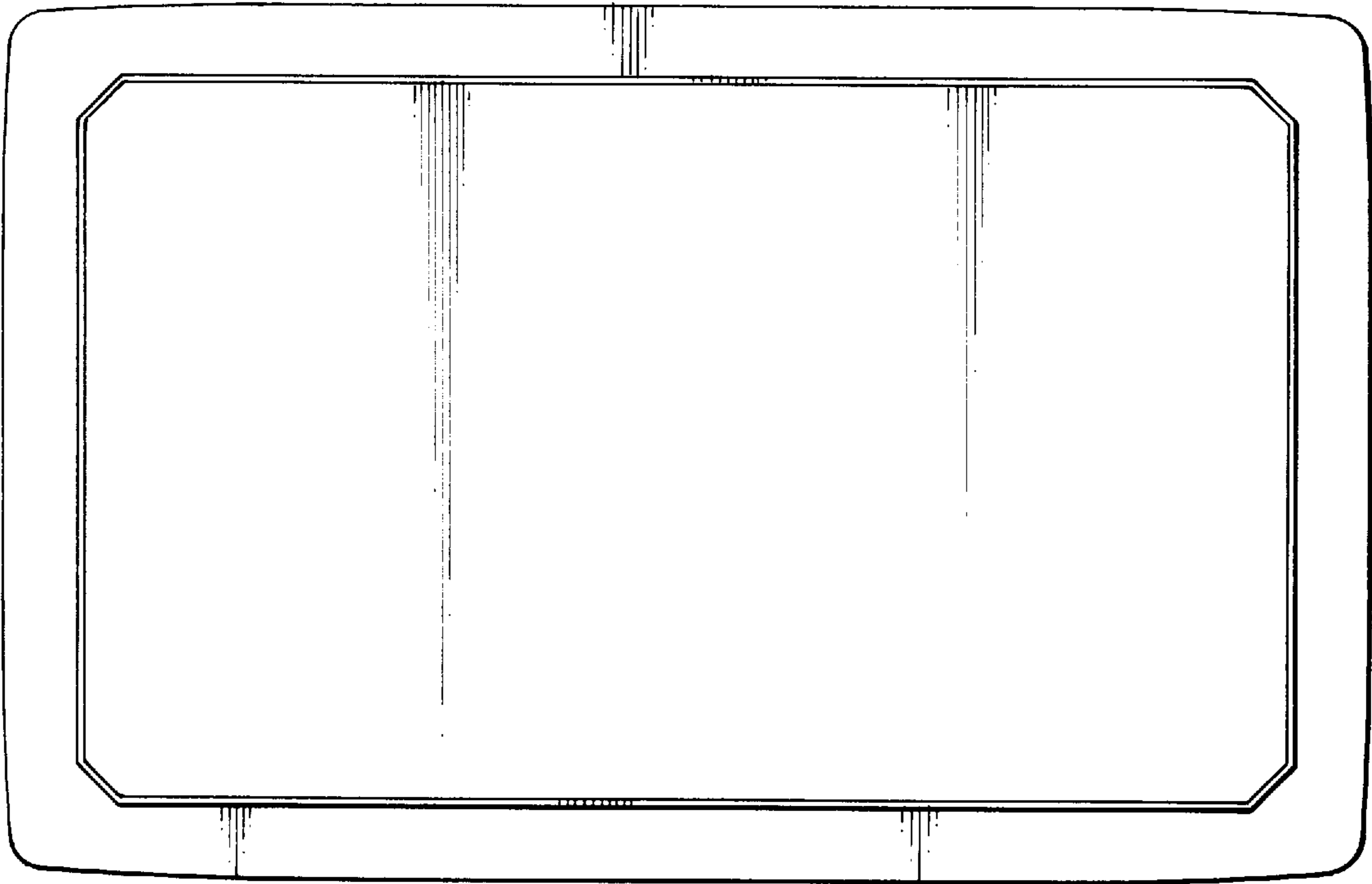


FIG. 3

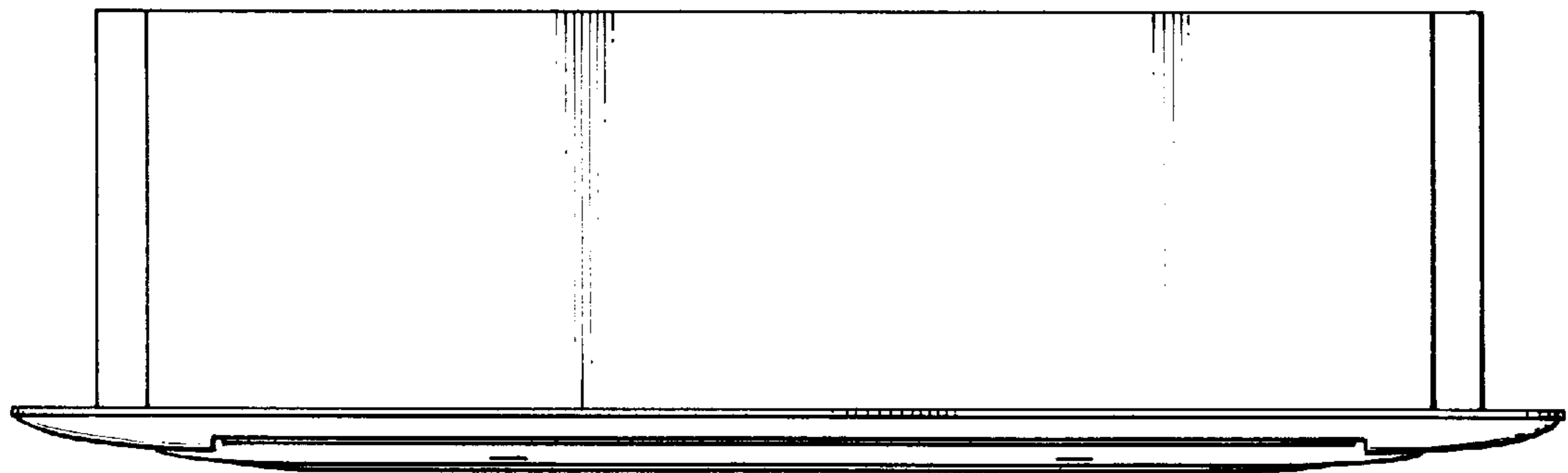


FIG. 4

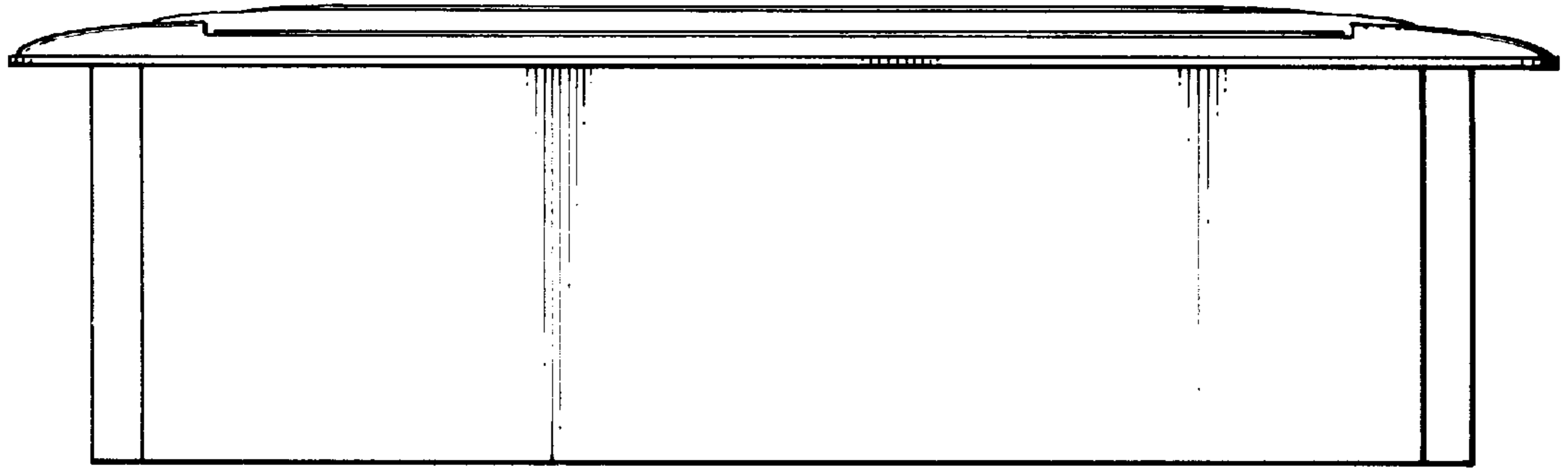


FIG. 5

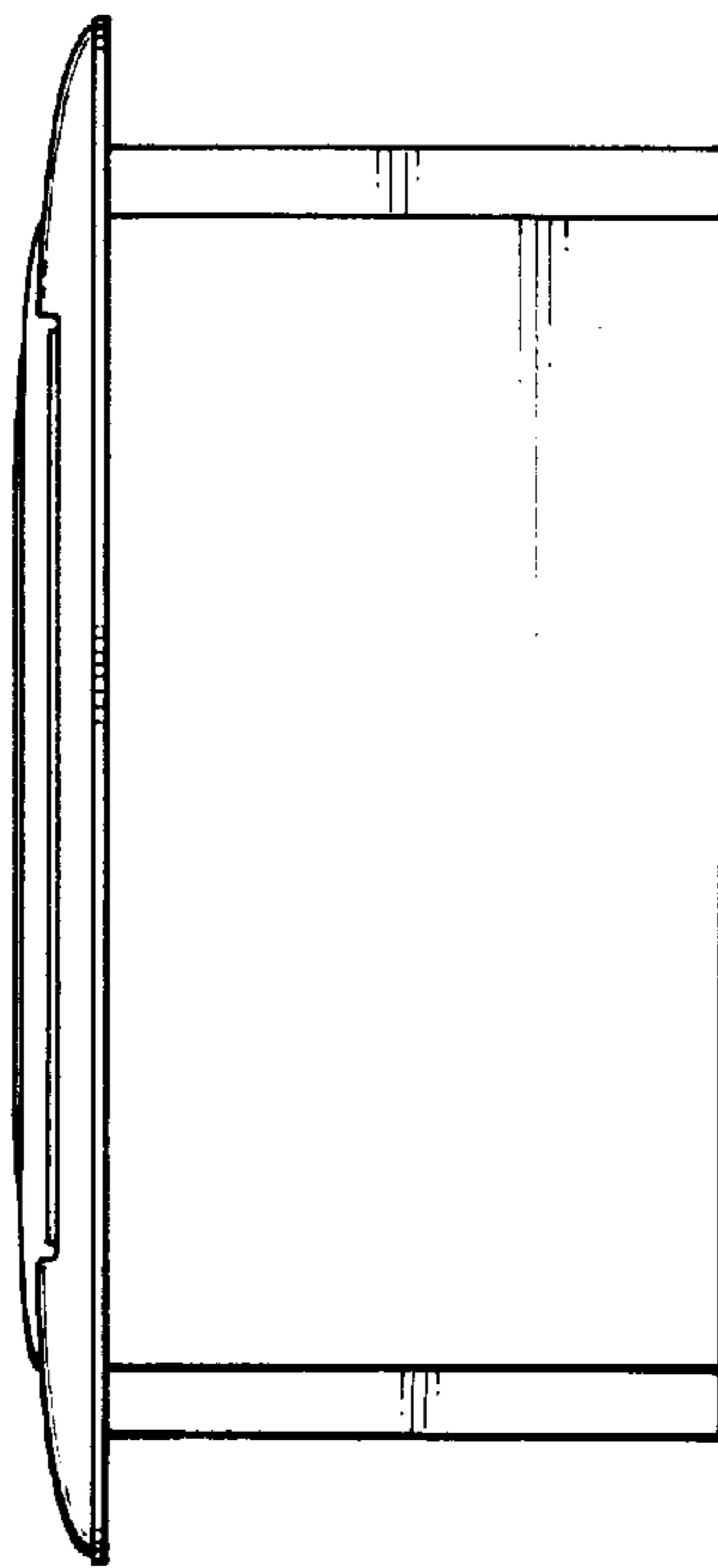


FIG. 6

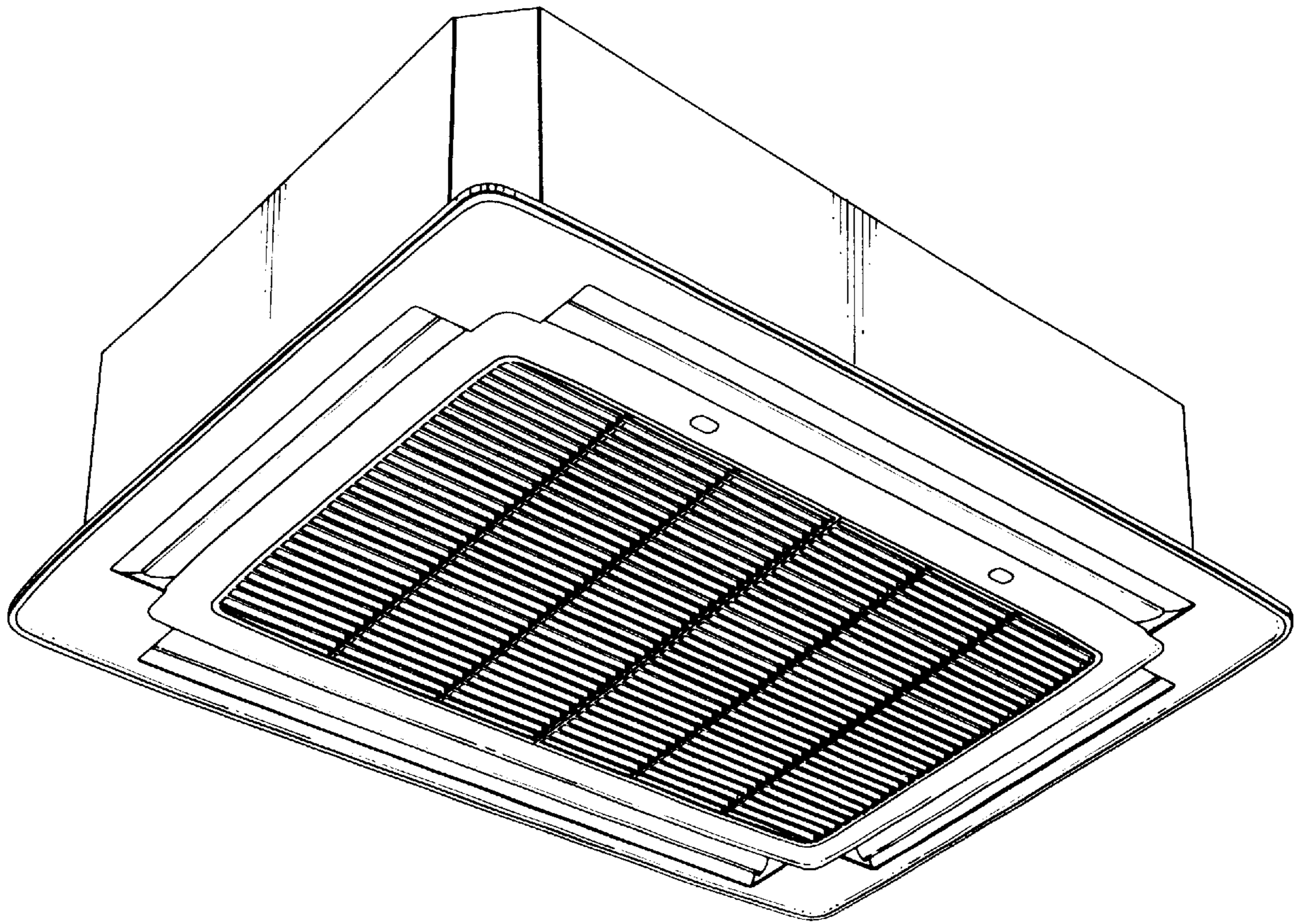


FIG. 7

