



US00D398972S

United States Patent [19]

Klimek et al.

[11] Patent Number: **Des. 398,972**

[45] Date of Patent: ****Sep. 29, 1998**

[54] TOLIET BOWL

[75] Inventors: **Bryan S. Klimek**, Overland Park, Kans.; **John D. Inch**, Kansas City, Mo.

[73] Assignee: **Metcraft, Inc.**, Grandview, Mo.

[**] Term: **14 Years**

[21] Appl. No.: **66,821**

[22] Filed: **Feb. 21, 1997**

[51] LOC (6) Cl. **23-02**

[52] U.S. Cl. **D23/295**

[58] Field of Search D23/284, 285,
D23/290, 291, 292, 293.1; 4/619, 624,
626, 638-640

[56] References Cited

U.S. PATENT DOCUMENTS

D. 258,607	3/1981	Wilson	D23/295
4,041,554	8/1977	Gregory et al.	4/420
4,137,580	2/1979	Iwans et al.	4/420

Primary Examiner—Louis S. Zarfaz
Assistant Examiner—Eric Watterson
Attorney, Agent, or Firm—Edgar A. Zarins; Malcolm L. Sutherland

[57] CLAIM

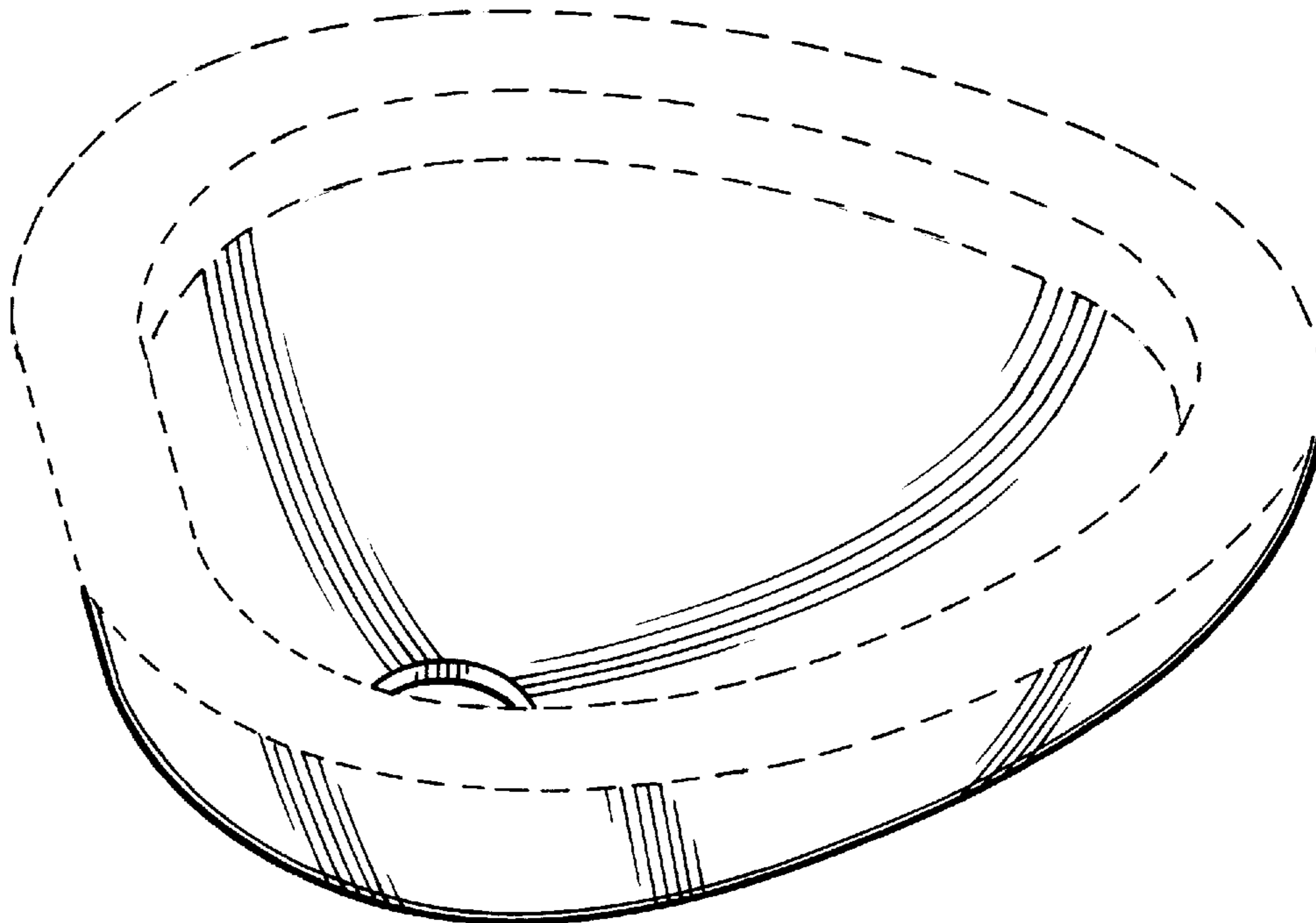
The ornamental design for a toilet bowl, as shown and described.

DESCRIPTION

FIG. 1 is a perspective view of a toilet bowl showing our new design;
 FIG. 2 is right side view thereof, the opposite side being a mirror image of the side shown;
 FIG. 3 is a front elevational view thereof;
 FIG. 4 is a rear elevational view thereof;
 FIG. 5 is a top plan view thereof;
 FIG. 6 is a bottom plan view thereof;
 FIG. 7 is a cross-sectional view taken along lines 7—7 of FIG. 5;
 FIG. 8 is a cross-sectional view taken along lines 8—8 of FIG. 5;
 FIG. 9 is a cross-sectional view taken along lines 9—9 of FIG. 5;
 FIG. 10 is a cross-sectional view taken along lines 10—10 of FIG. 5; and,
 FIG. 11 is a cross-sectional view taken along lines 11—11 of FIG. 5.

The broken lines of FIG. 1 depict a rim for the toilet bowl but do not form any part of the claimed design.

1 Claim, 4 Drawing Sheets



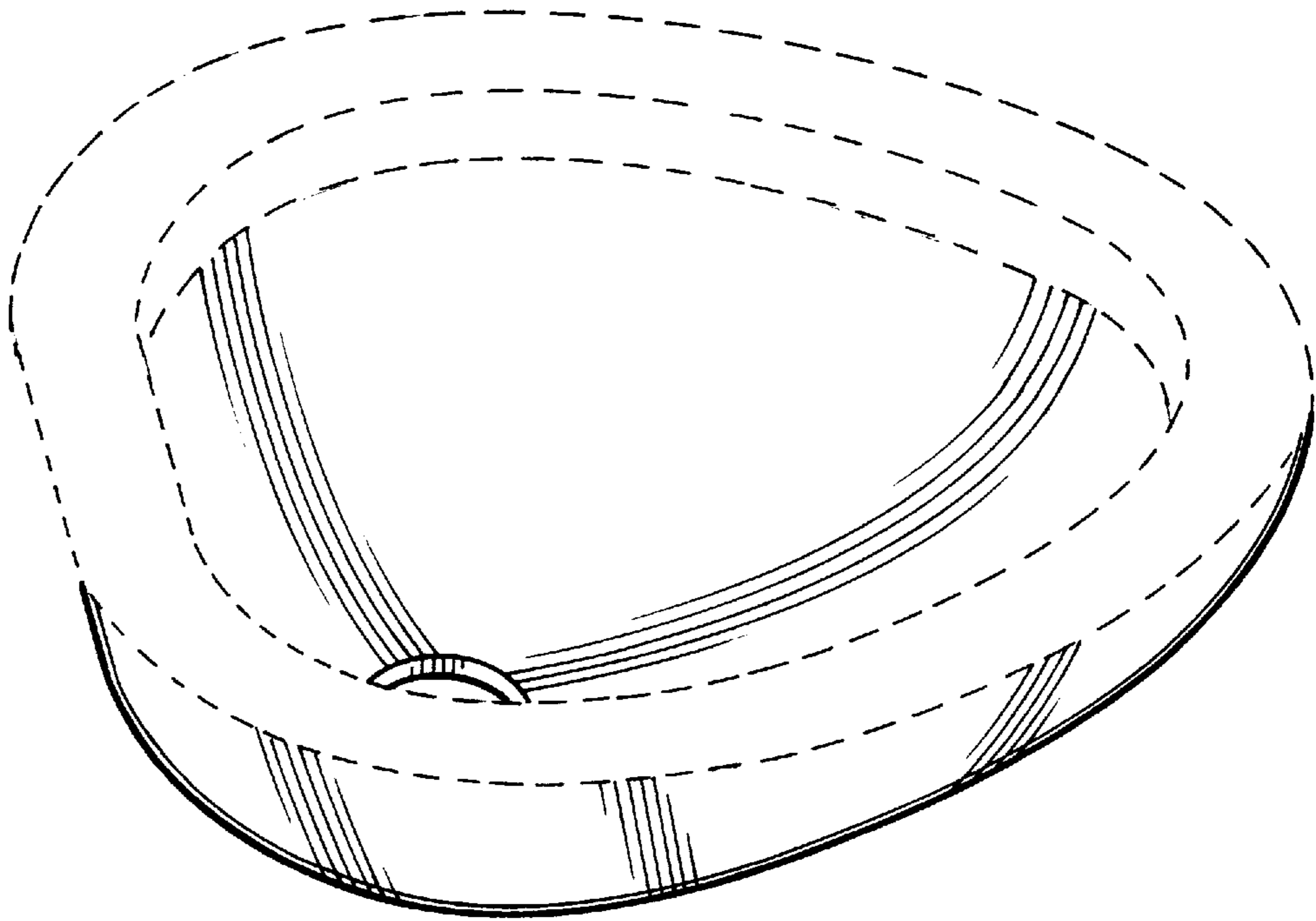


Fig-1

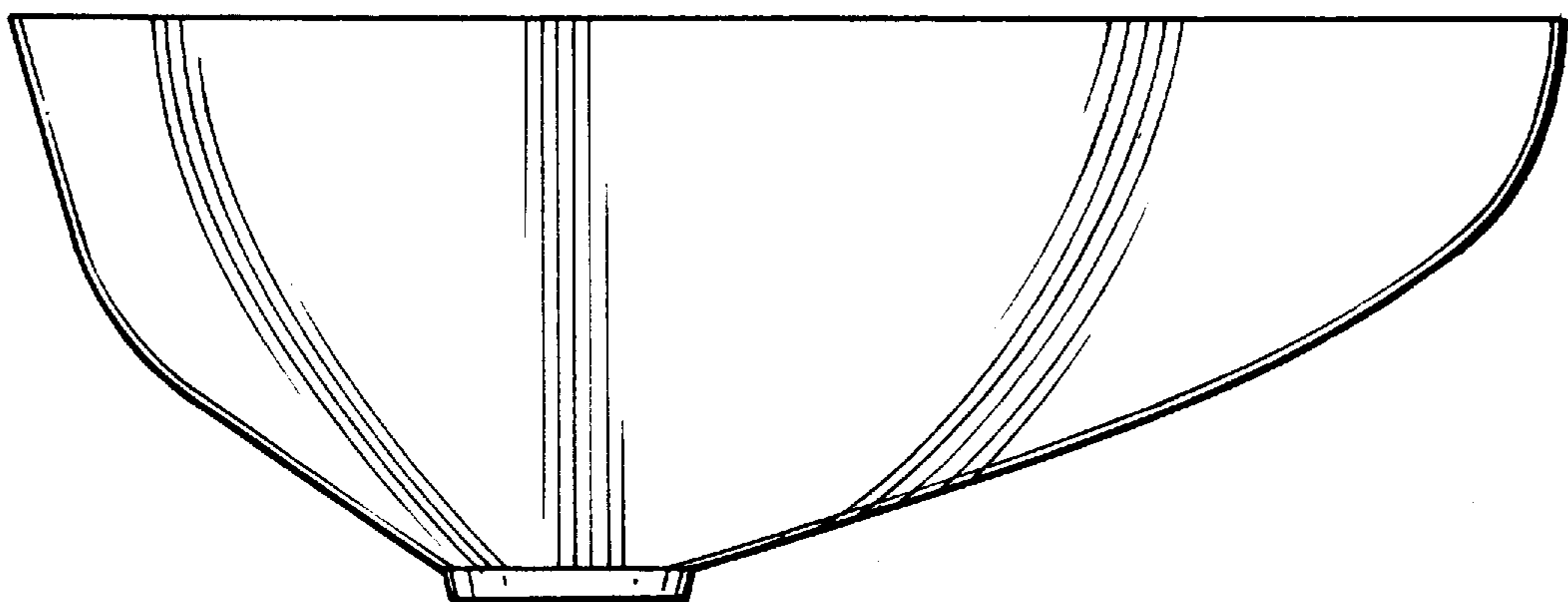


Fig-2

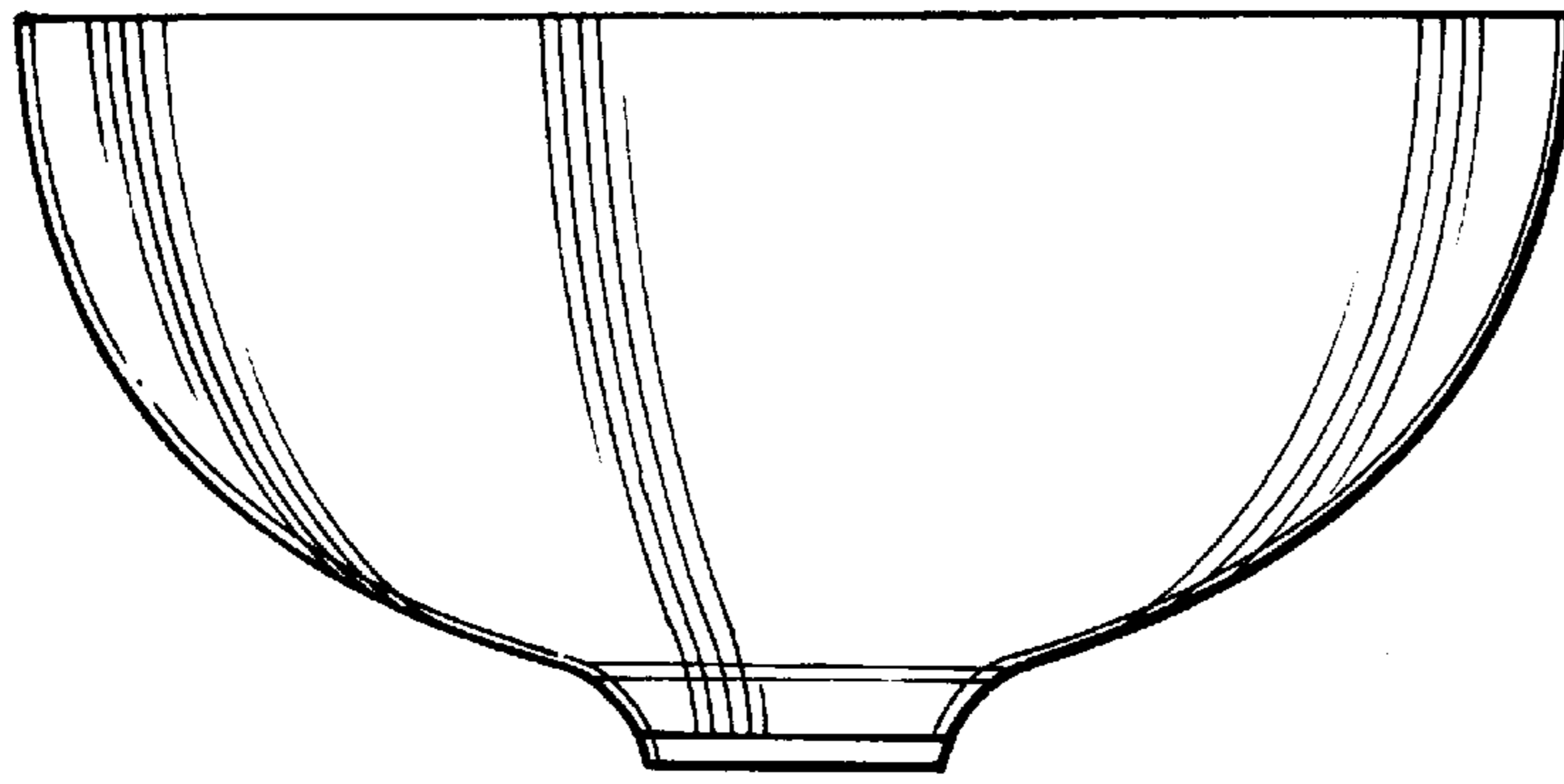


Fig-3

Fig-4

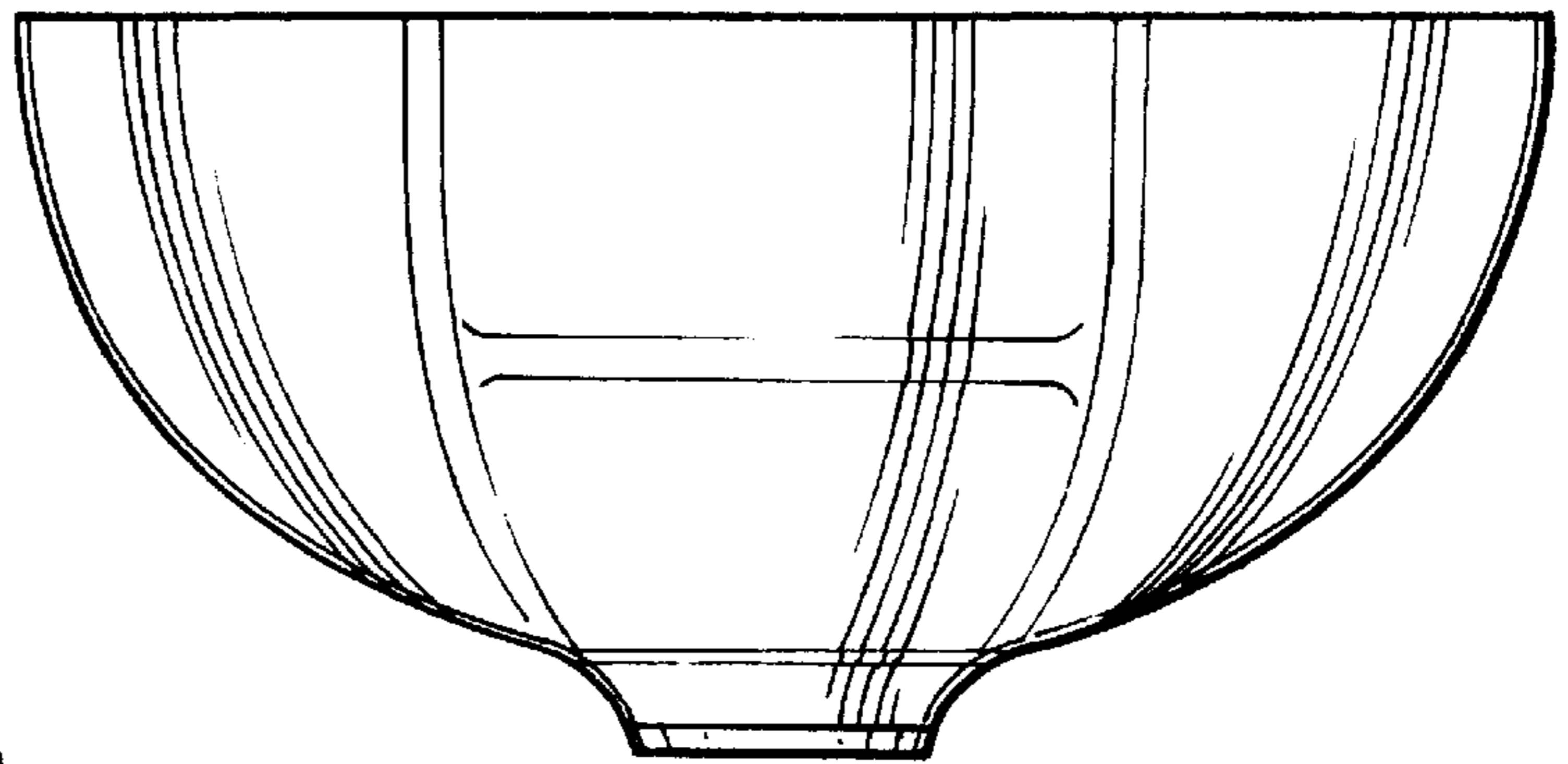
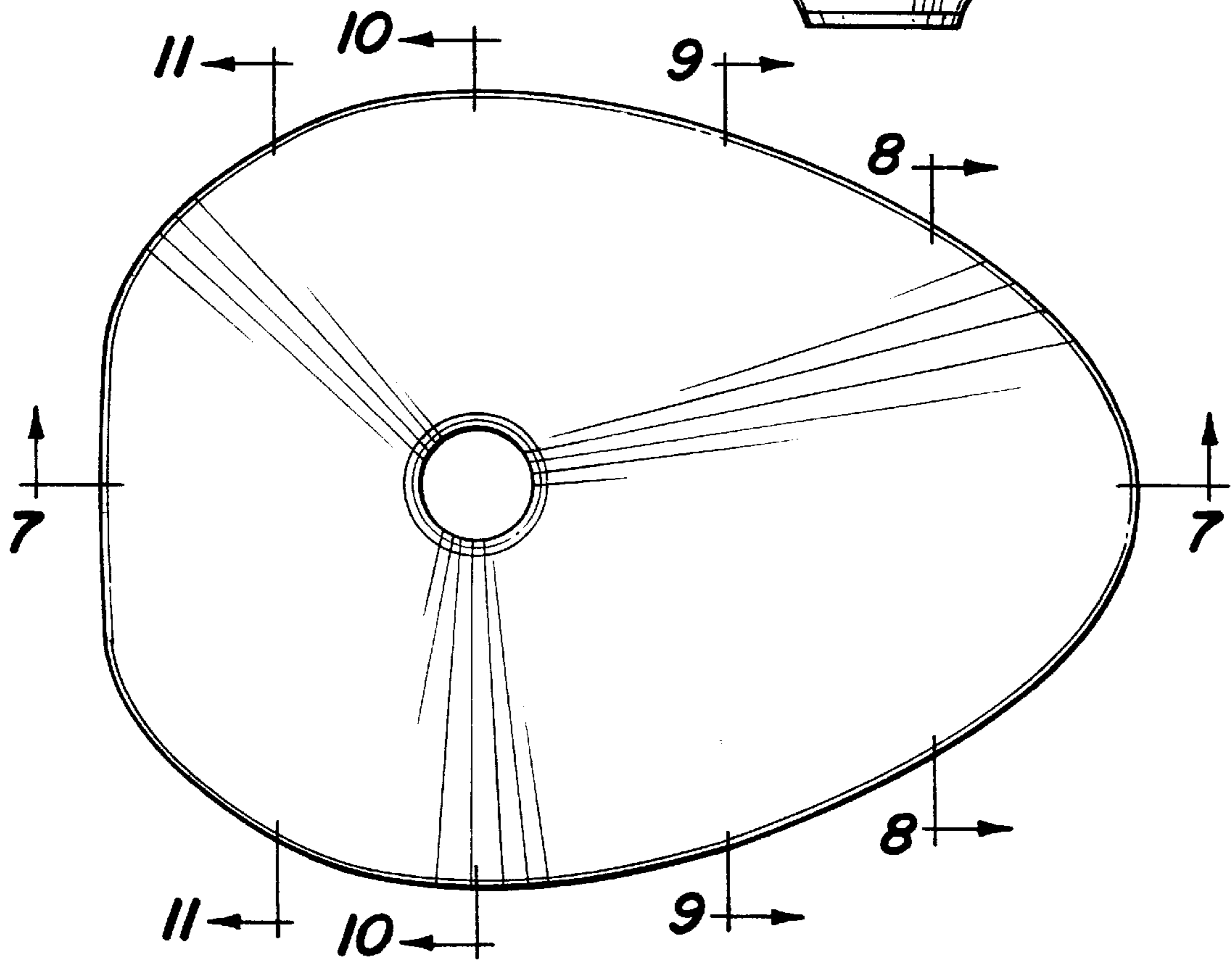


Fig-5



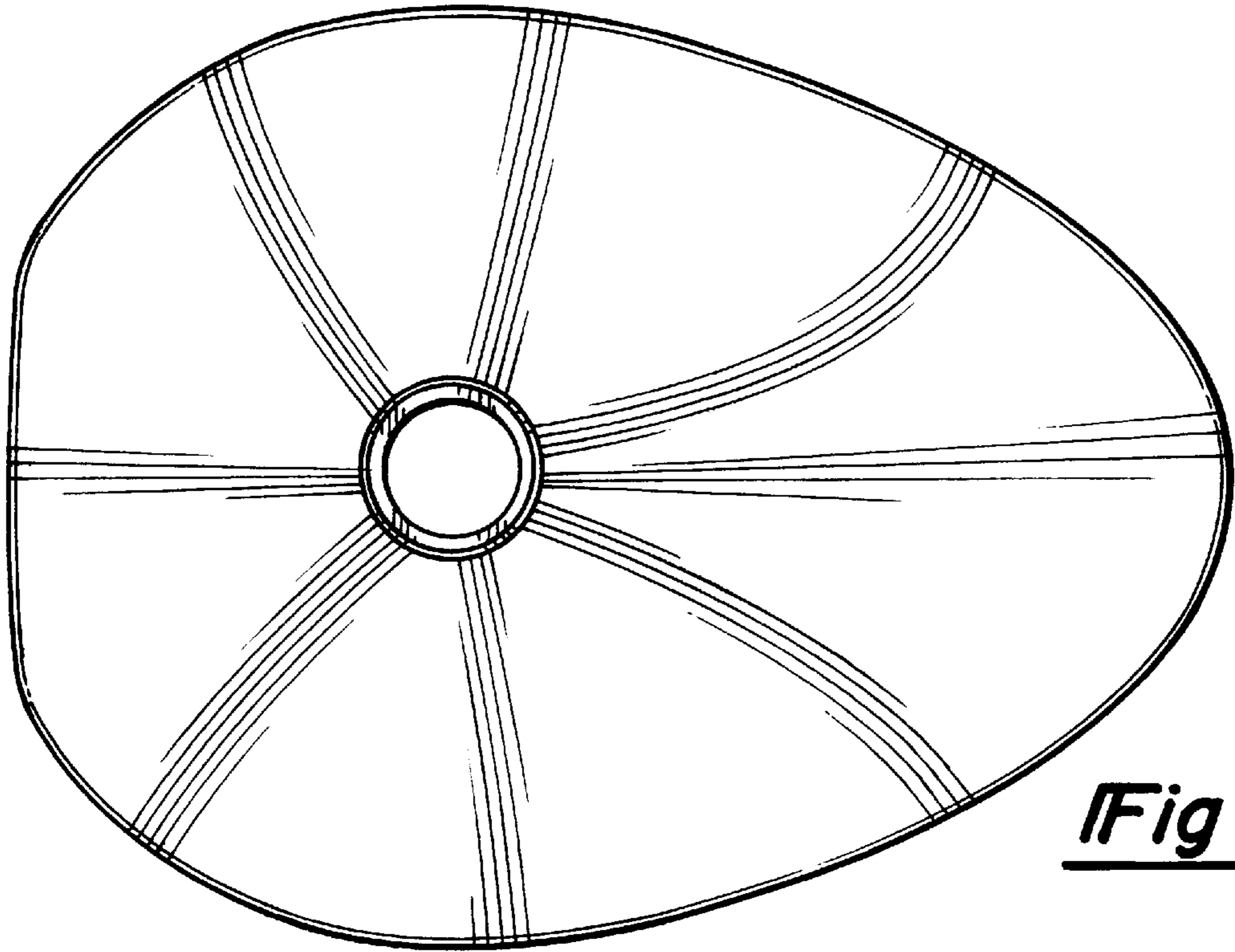


Fig-6

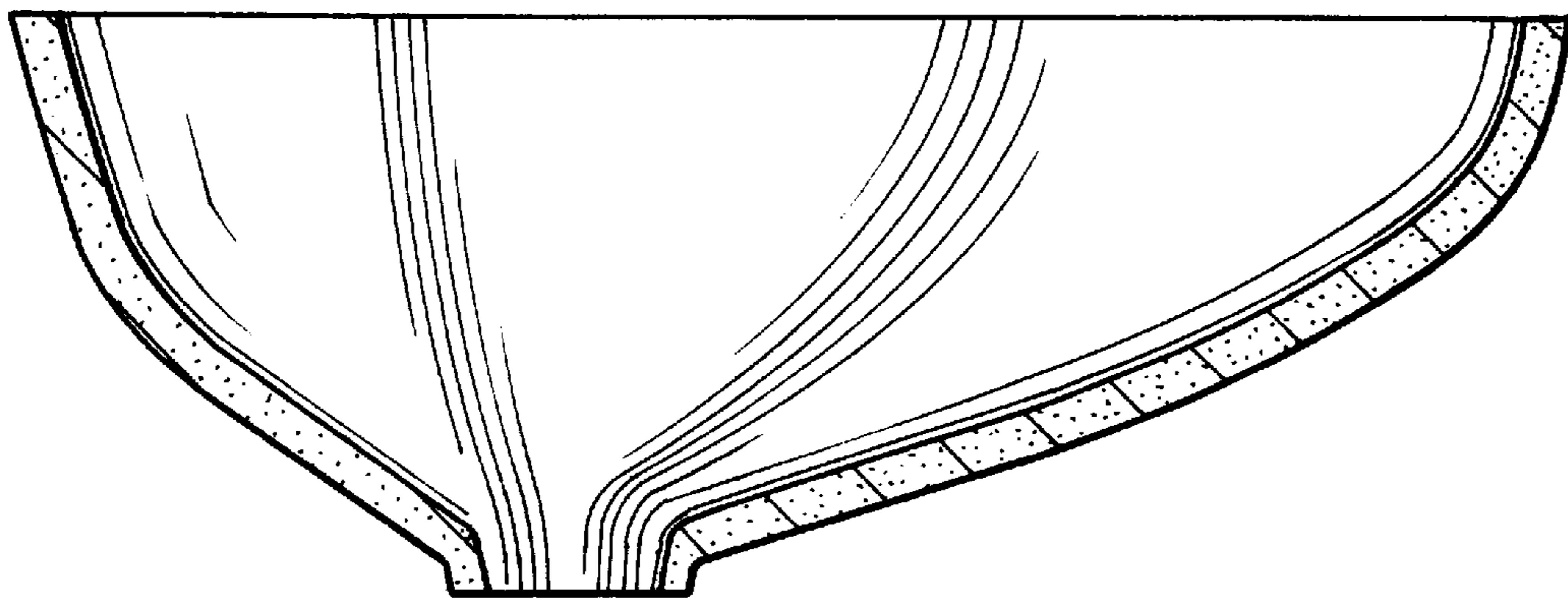


Fig-7

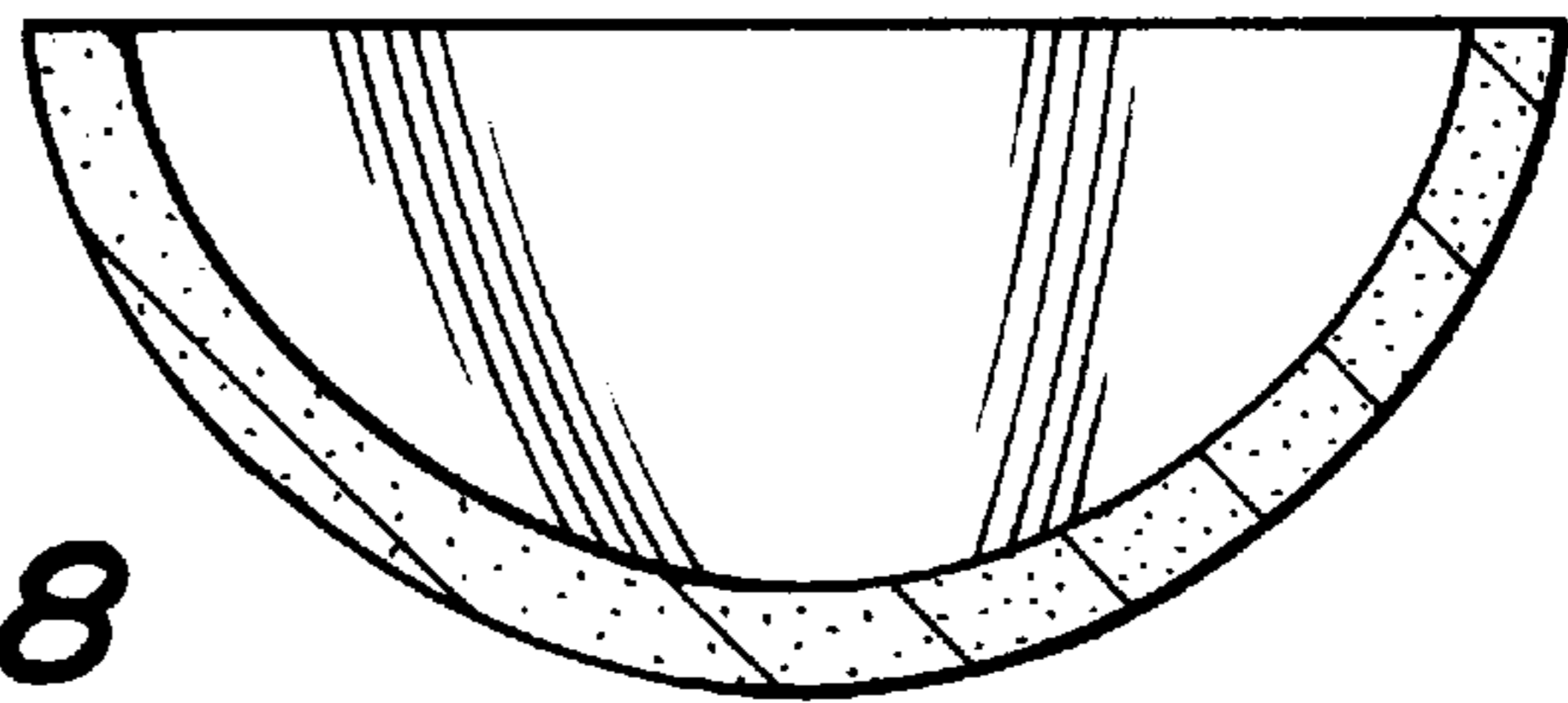


Fig-8

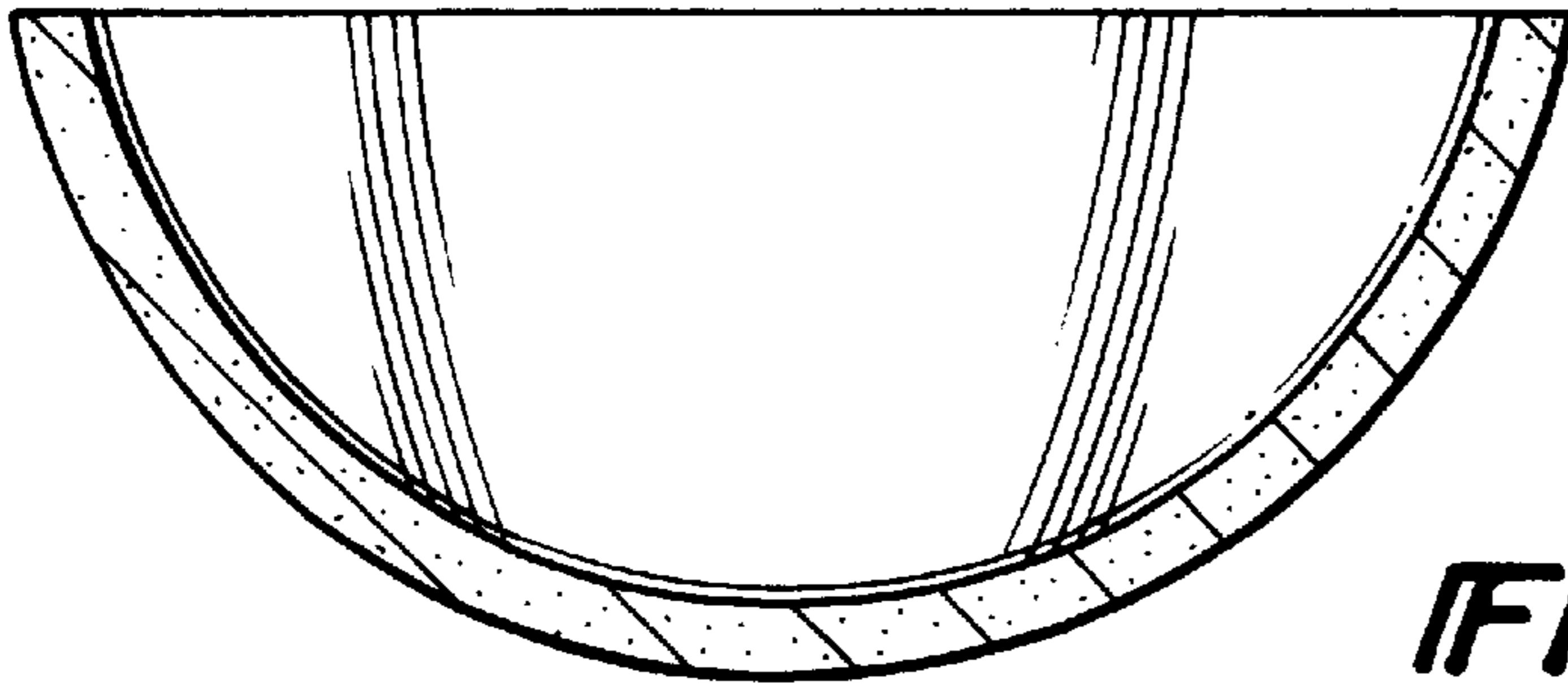


Fig-9

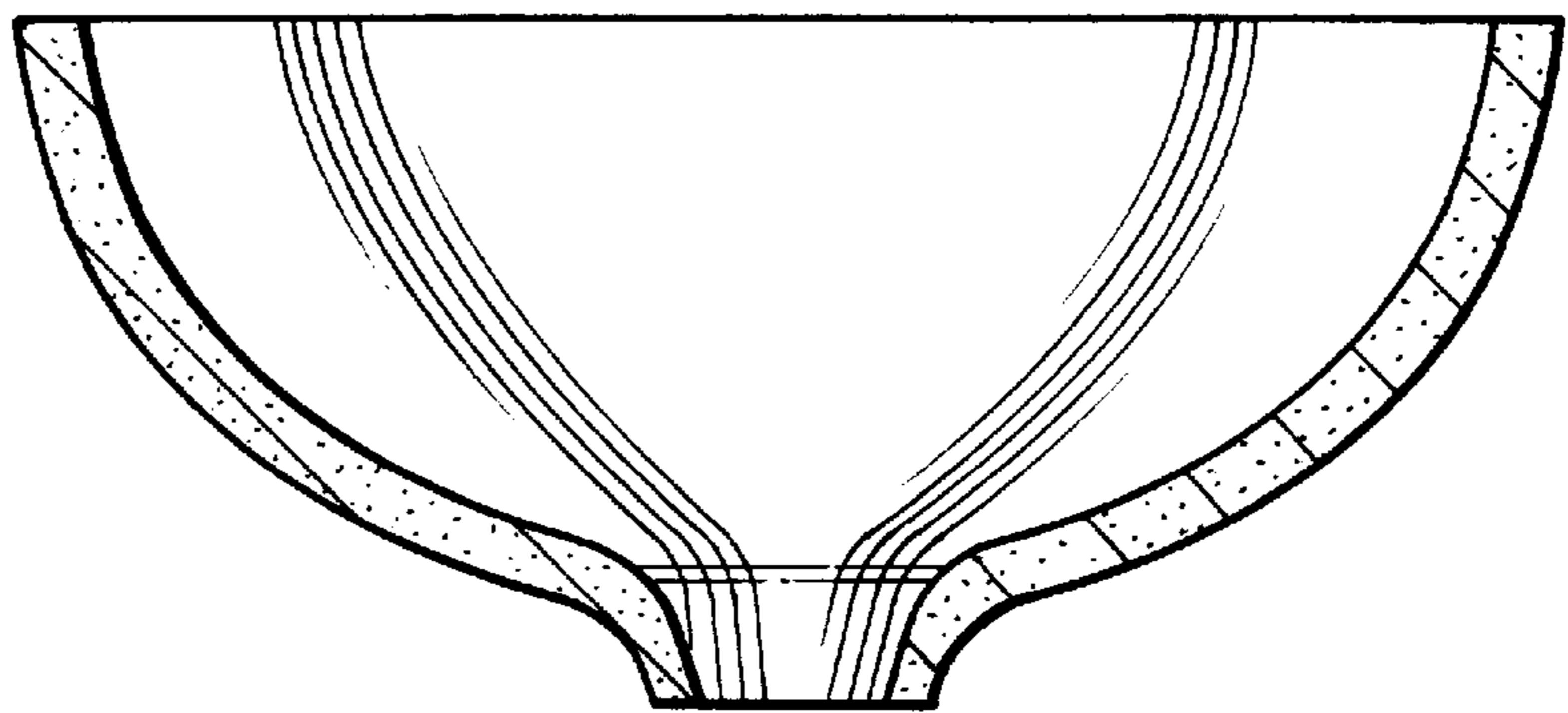


Fig-10

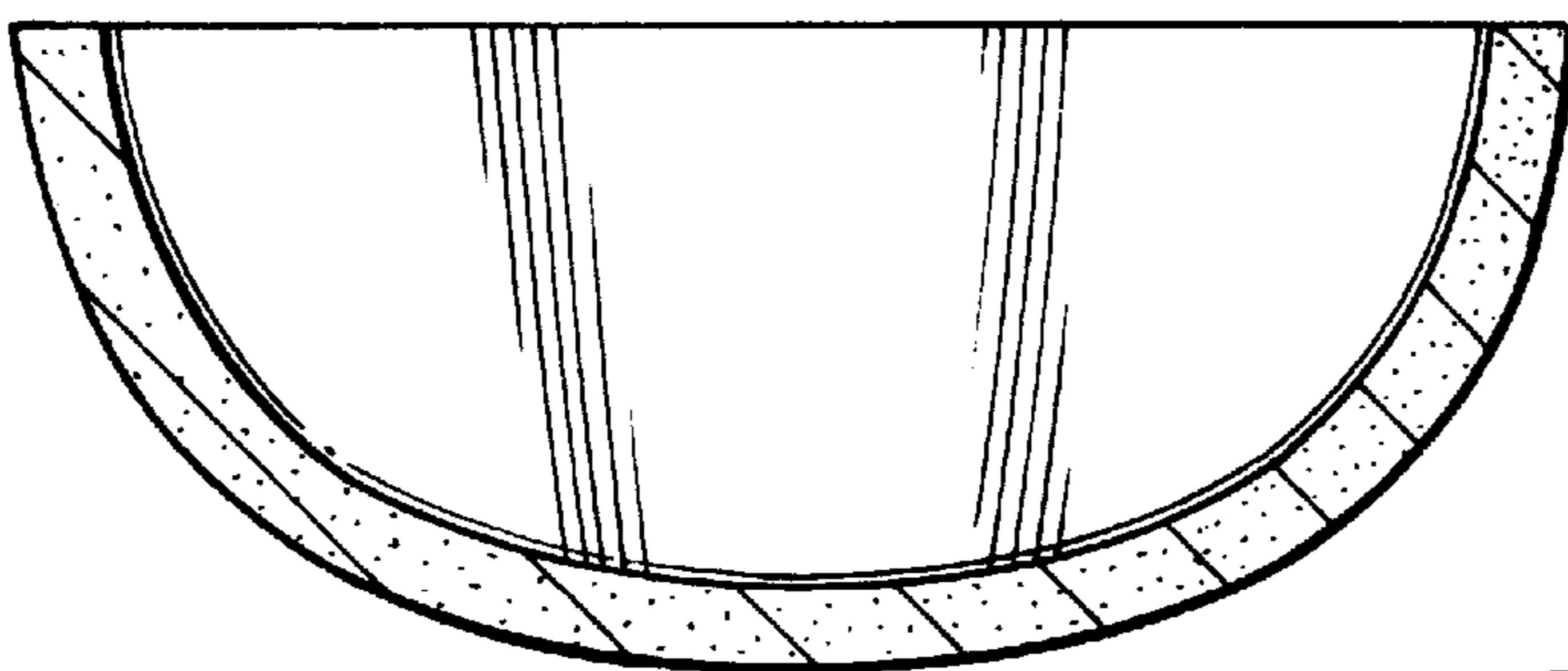


Fig-11