



US00D398969S

United States Patent [19]

Barnum et al.

[11] Patent Number: **Des. 398,969**

[45] Date of Patent: ****Sep. 29, 1998**

[54] **MULTI-LAVATORY**

[75] Inventors: **Thomas G. Barnum**, Fox Point, Wis.;
Jon W. Hauser, II, Geneva, Ill.

[73] Assignee: **Bradley Corporation**, Menomonee Falls, Wis.

[**] Term: **14 Years**

[21] Appl. No.: **64,125**

[22] Filed: **Dec. 23, 1996**

Related U.S. Application Data

[63] Continuation of Ser. No. 610,807, Mar. 7, 1996, Pat. No. 5,611,093, which is a continuation of Ser. No. 324,165, Oct. 14, 1994, abandoned, which is a continuation of Ser. No. 63,278, May 18, 1993, Pat. No. 5,369,818.

[51] **LOC (6) Cl.** **23-02**

[52] **U.S. Cl.** **D23/280**

[58] **Field of Search** D23/284, 285,
D23/280, 281, 282, 283.1; 4/619, 624,
626, 638-650

[56] References Cited

U.S. PATENT DOCUMENTS

Re. 25,175	5/1962	Nelson et al. .	
D. 36,595	10/1903	Peet .	
206,454	7/1878	Humphrey .	
D. 319,300	8/1991	Stars, Jr.	D23/288
D. 319,691	9/1991	Ivelot	D23/294
D. 323,704	2/1992	Stairs, Jr.	D23/280
1,323,398	12/1919	Leland .	
2,028,802	1/1936	Ottke .	
2,131,124	8/1938	Smith .	
2,810,916	10/1957	Cullen .	
2,836,080	5/1958	Mullet et al. .	
2,965,906	12/1960	Mullet et al. .	
2,992,437	7/1961	Nelson et al. .	
3,078,476	2/1963	Doty et al. .	
3,095,581	7/1963	Gerow et al. .	
3,098,241	7/1963	Booker et al. .	
3,333,284	8/1967	Symmons .	
3,728,745	4/1973	Brendgord et al. .	
3,765,036	10/1973	Dykstra .	

4,336,619	6/1982	Hinkel et al. .	
4,942,631	7/1990	Rosa .	
5,086,526	2/1992	Van Marcke .	
5,369,818	12/1994	Barnum	4/624
5,611,093	3/1997	Barnum et al.	4/624

FOREIGN PATENT DOCUMENTS

1366689	8/1963	France .	
1 064 436	8/1959	Germany .	
2 304 815	8/1974	Germany .	
26 45 445	4/1978	Germany .	

Primary Examiner—Louis S. Zarfes
Assistant Examiner—Eric Watterson
Attorney, Agent, or Firm—Foley & Lardner

[57] CLAIM

We claim the ornamental design for a multi-lavatory, as shown and described.

DESCRIPTION

FIG. 1 is a perspective view of a multi-lavatory showing our new design;
 FIG. 2 is a front elevational view thereof;
 FIG. 3 is a top plan view thereof;
 FIG. 4 is a left-side elevational view thereof wherein the right-side elevational view is a mirror image of the left;
 FIG. 5 is a perspective view of a second embodiment of the multi-lavatory shown in FIG. 1;
 FIG. 6 is a front elevational view of the second embodiment of the multi-lavatory;
 FIG. 7 is a top plan view of the second embodiment of the multi-lavatory; and,
 FIG. 8 is a left-side elevational view of the second embodiment of the multi-lavatory wherein the right-side elevational view is a mirror image of the left.

In the first and second embodiments, the broken line showings of the shelf, basins, base and the bottom-edge portions of the side walls adjacent to the back wall are for illustrative purposes only and form no part of the claimed design. Further, in the second embodiment, the broken line showings of the vertical-edge and bottom-edge portions of the side walls are for illustrative purposes only and form no part of the claimed design.

1 Claim, 3 Drawing Sheets

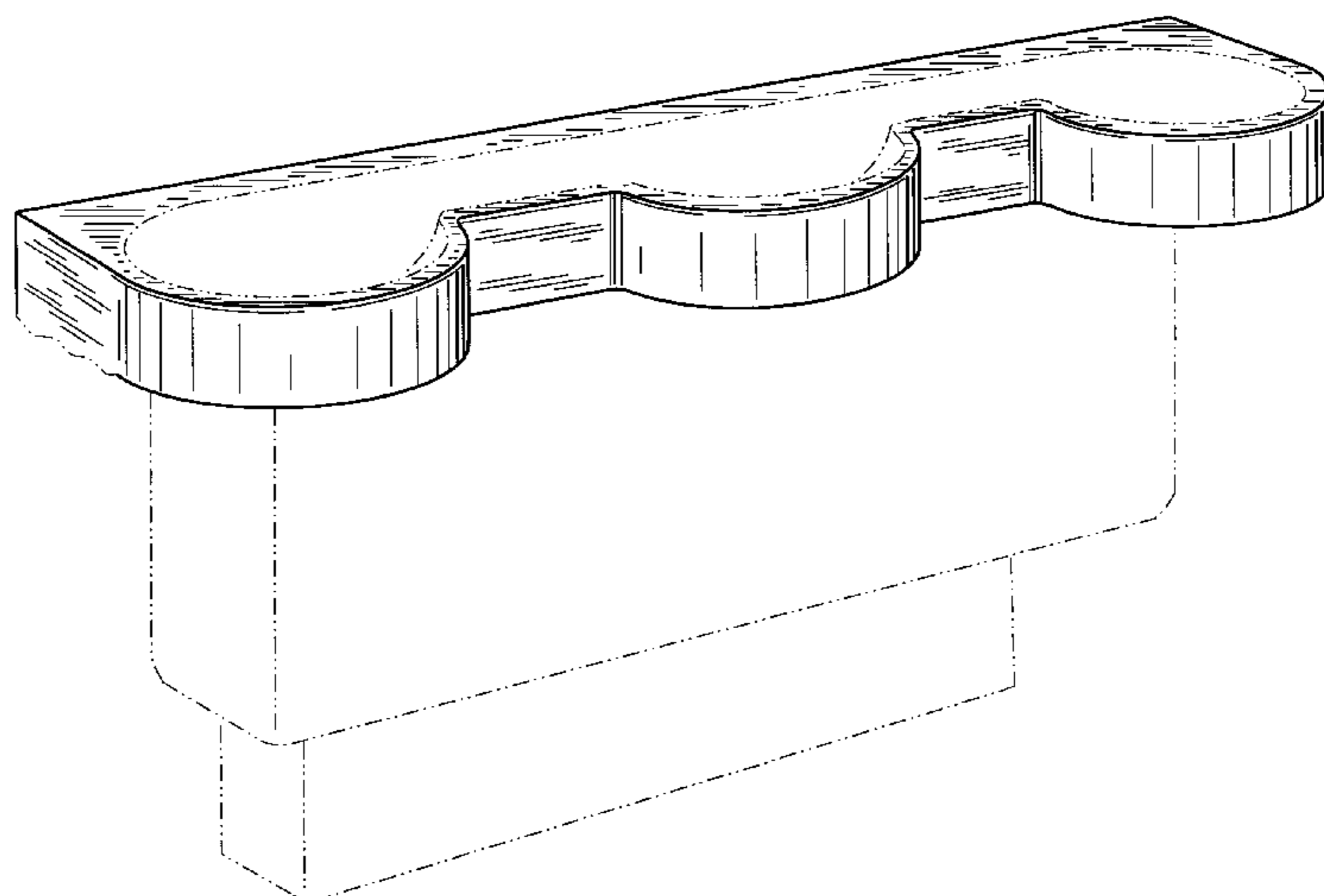


FIG. 1

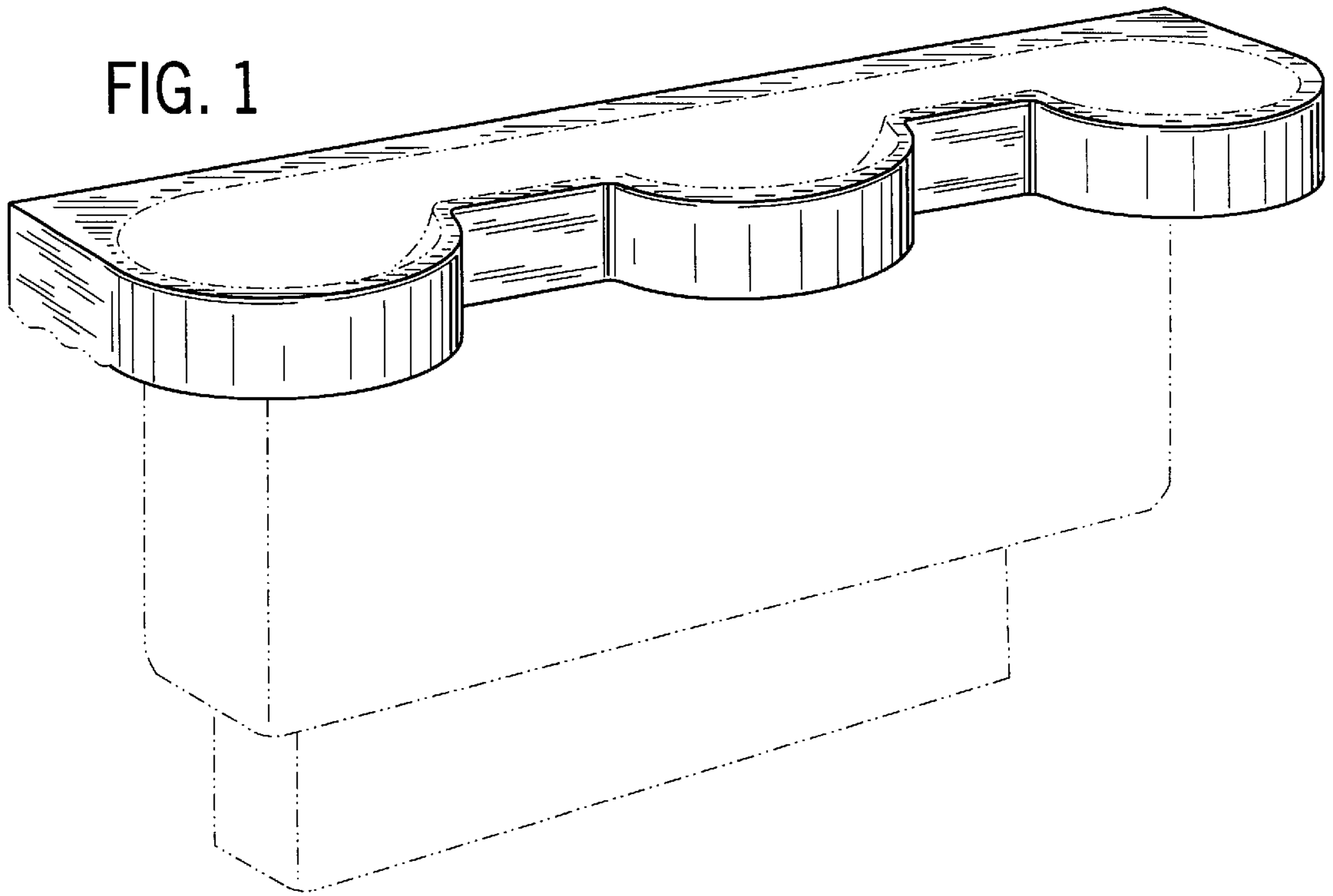


FIG. 5

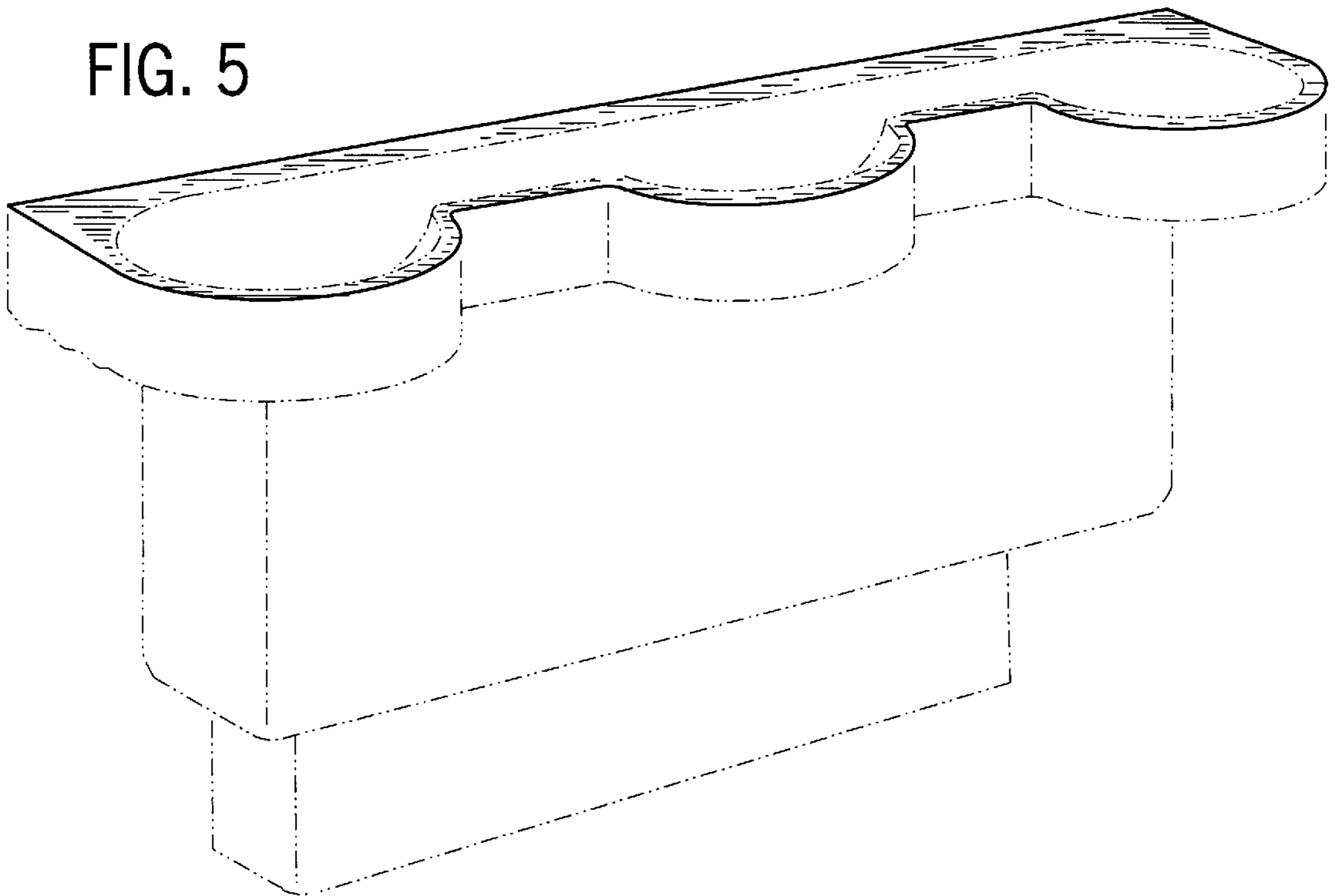


FIG. 3

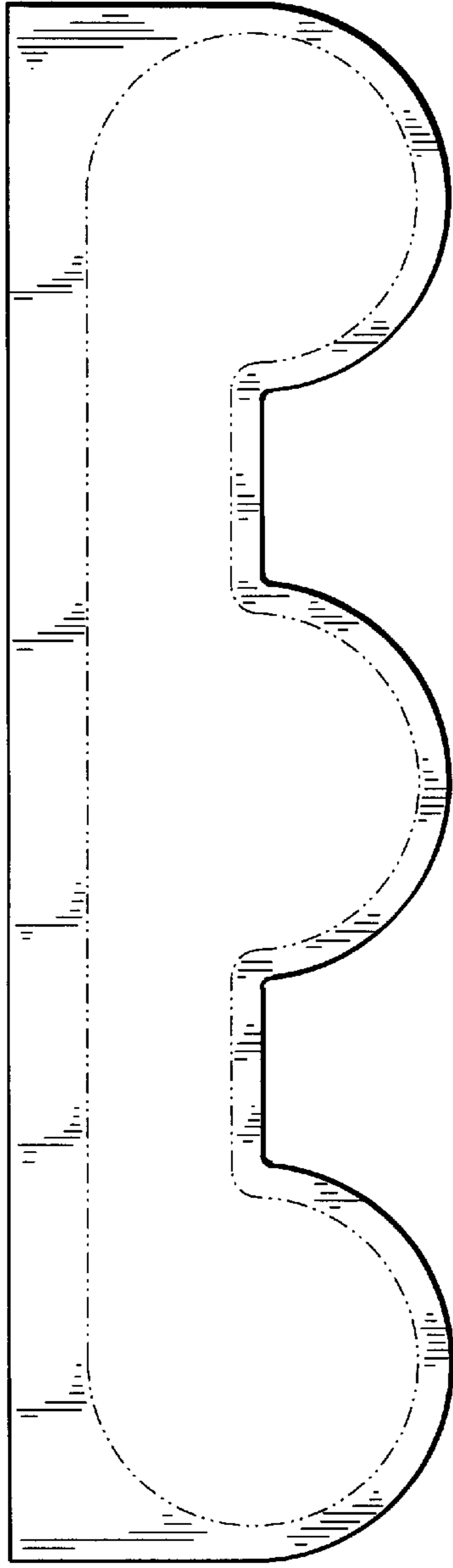


FIG. 2

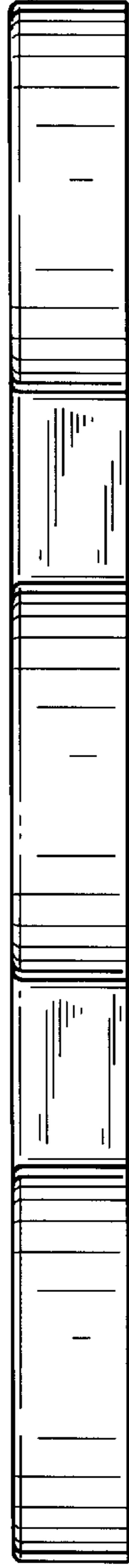


FIG. 4



FIG. 7

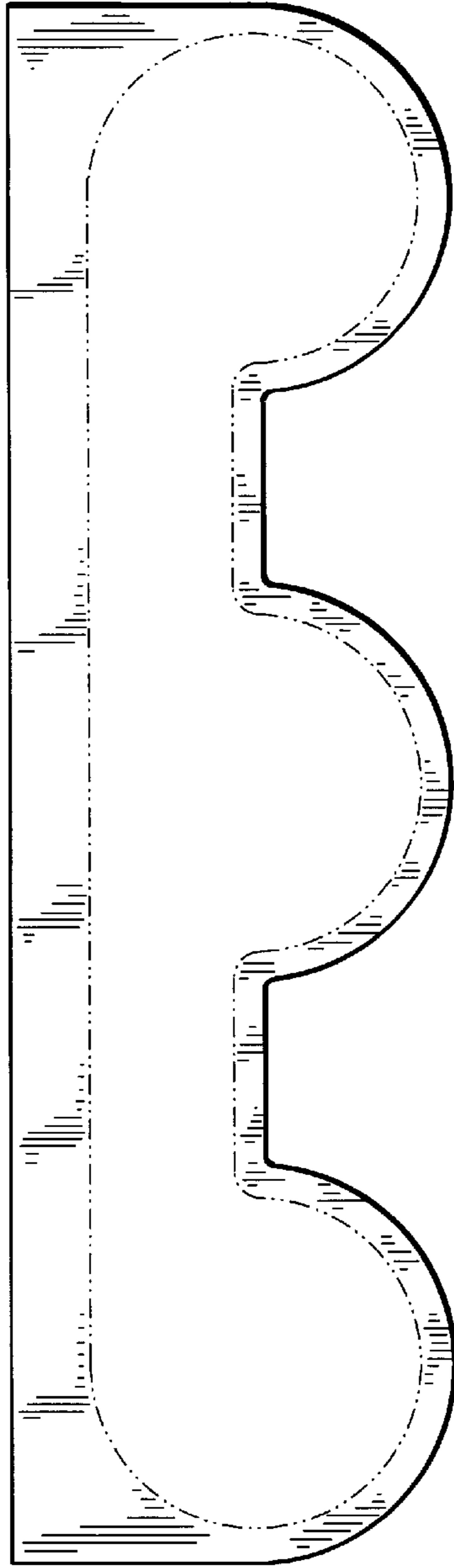


FIG. 6



FIG. 8

