



US00D398968S

United States Patent [19]

Wagner

[11] Patent Number: **Des. 398,968**

[45] Date of Patent: ****Sep. 29, 1998**

[54] SINK

[76] Inventor: **Sherle Wagner**, 1050 Fifth Ave. Apt. 17D, New York, N.Y. 10128

[**] Term: **14 Years**

[21] Appl. No.: **69,055**

[22] Filed: **Mar. 19, 1997**

Related U.S. Application Data

[62] Division of Ser. No. 52,255, Mar. 26, 1996, Pat. No. Des. 386,248.

[51] LOC (6) Cl. **23-02**

[52] U.S. Cl. **D23/285**

[58] Field of Search D23/284, 285, D23/290, 291, 292, 293.1; 4/619, 624, 626, 638-650

[56] References Cited

U.S. PATENT DOCUMENTS

D. 242,859 12/1976 Gruber D23/285

- D. 311,769 10/1990 Nosari D23/285 X
- D. 319,682 9/1991 Sharp et al. D23/285 X
- D. 340,966 11/1993 Wagner D23/285
- D. 341,649 11/1993 Wagner D23/285
- D. 347,053 5/1994 Reid D23/285
- D. 375,543 11/1996 Wagner D23/285

Primary Examiner—Louis S. Zarfaz
Assistant Examiner—Eric Watterson

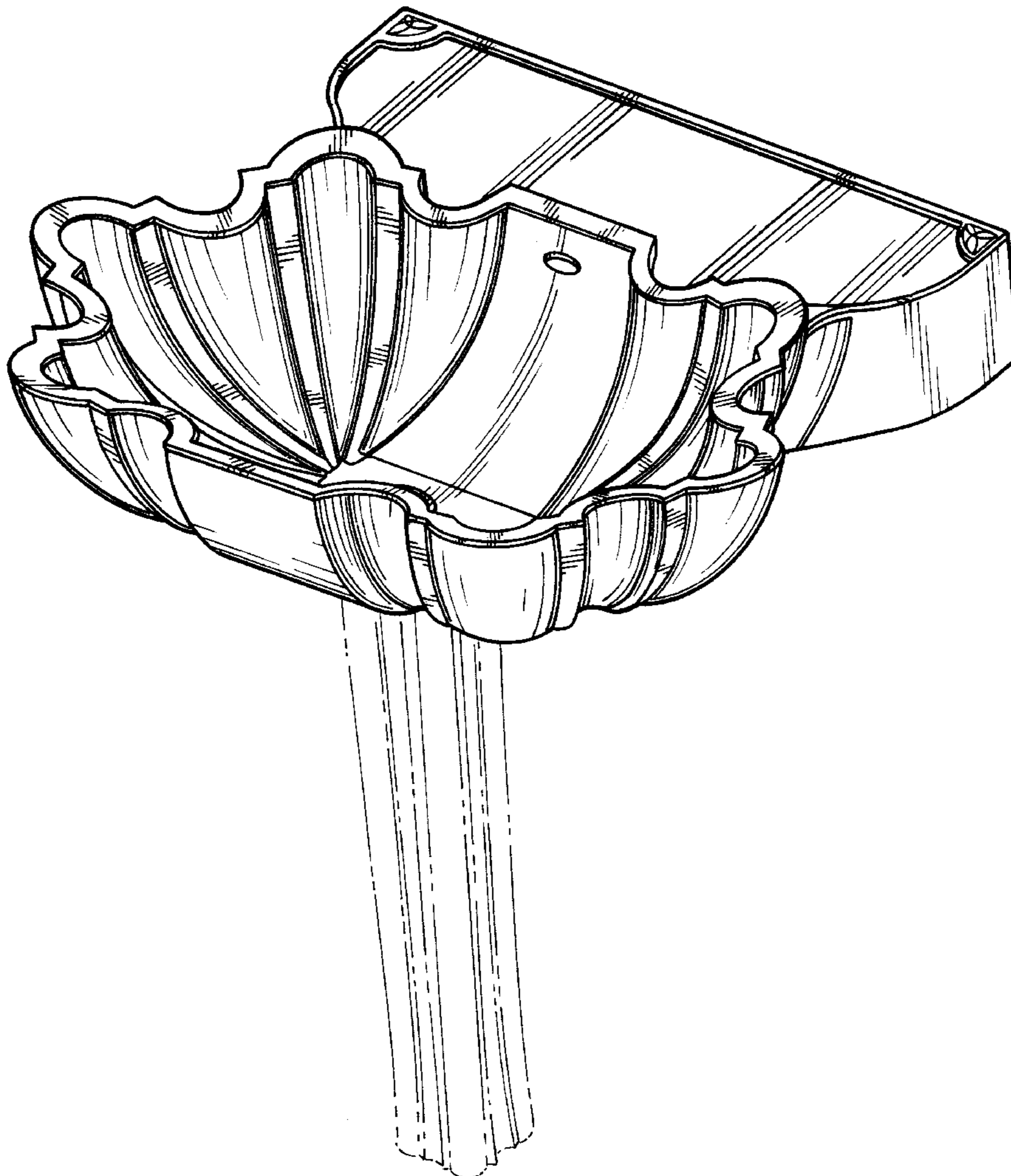
[57] CLAIM

The ornamental design for a sink, as shown and described.

DESCRIPTION

FIG. 1 is a perspective view of a sink showing my new design;
 FIG. 2 is a top plan view thereof;
 FIG. 3 is a front elevational view thereof; and,
 FIG. 4 is a left side view thereof, the opposite side being a mirror image of the side shown.
 The broken line showing is for illustrative purposes only and forms no part of the claimed design.

1 Claim, 3 Drawing Sheets



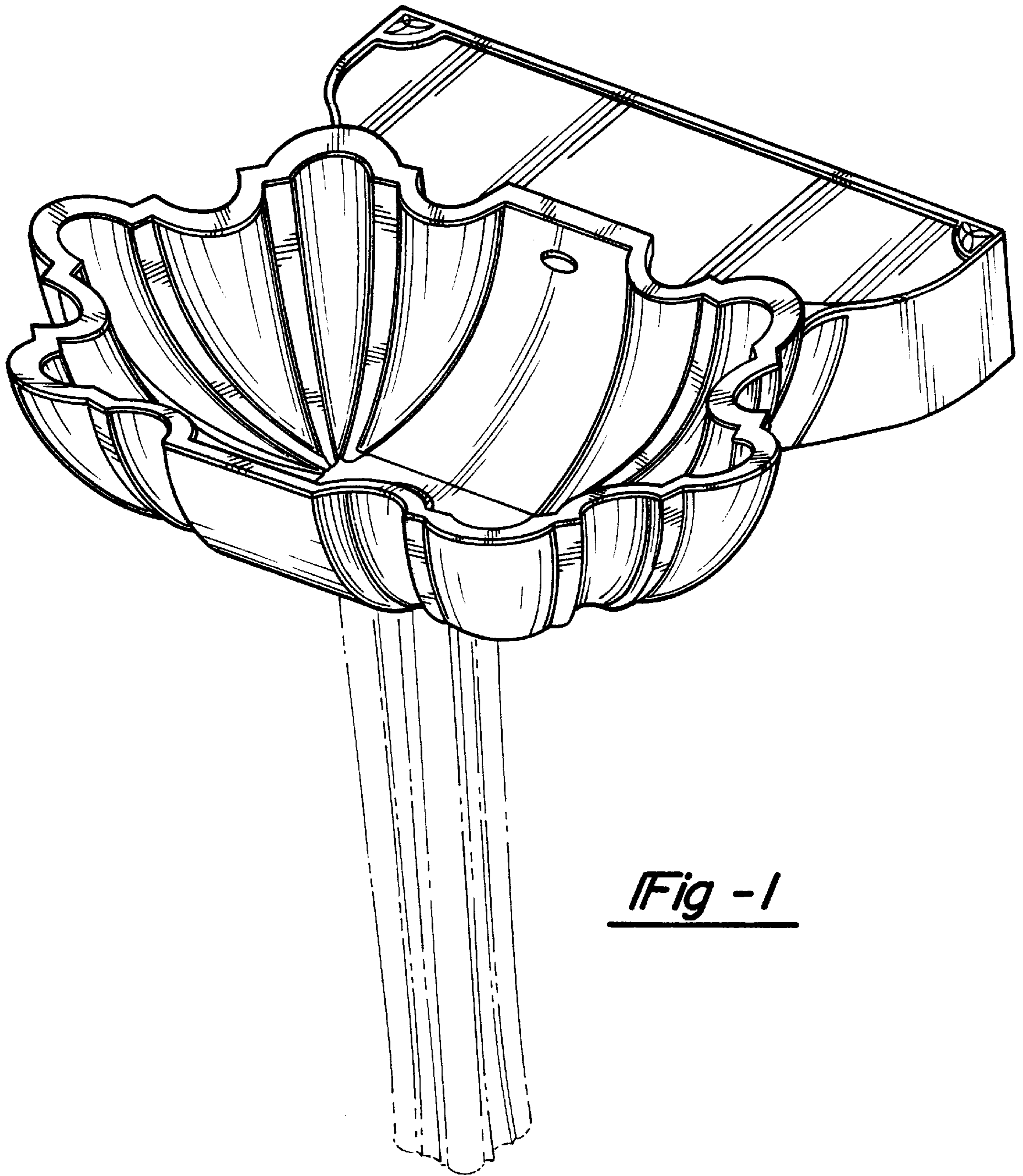


Fig -1

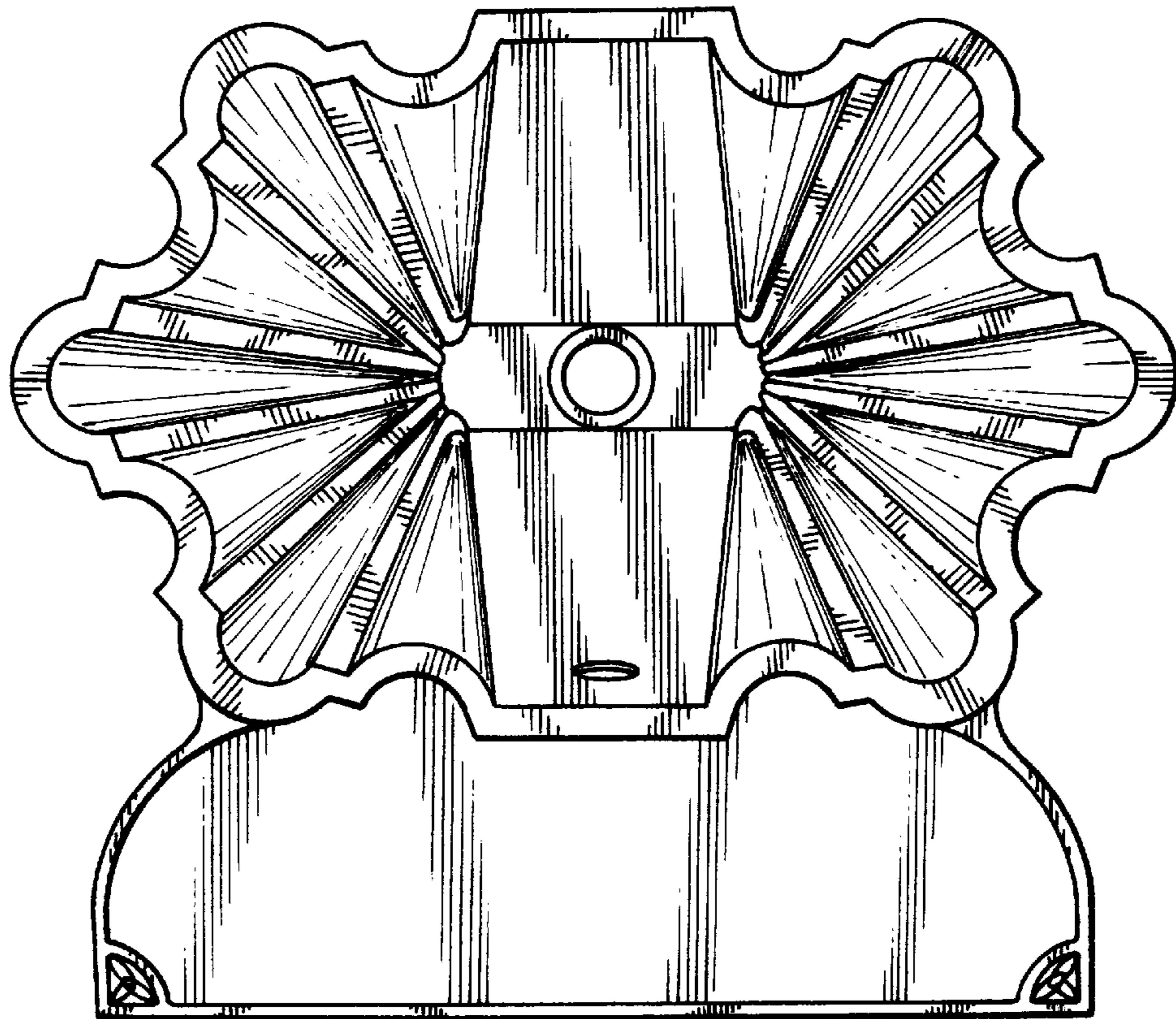


Fig - 2

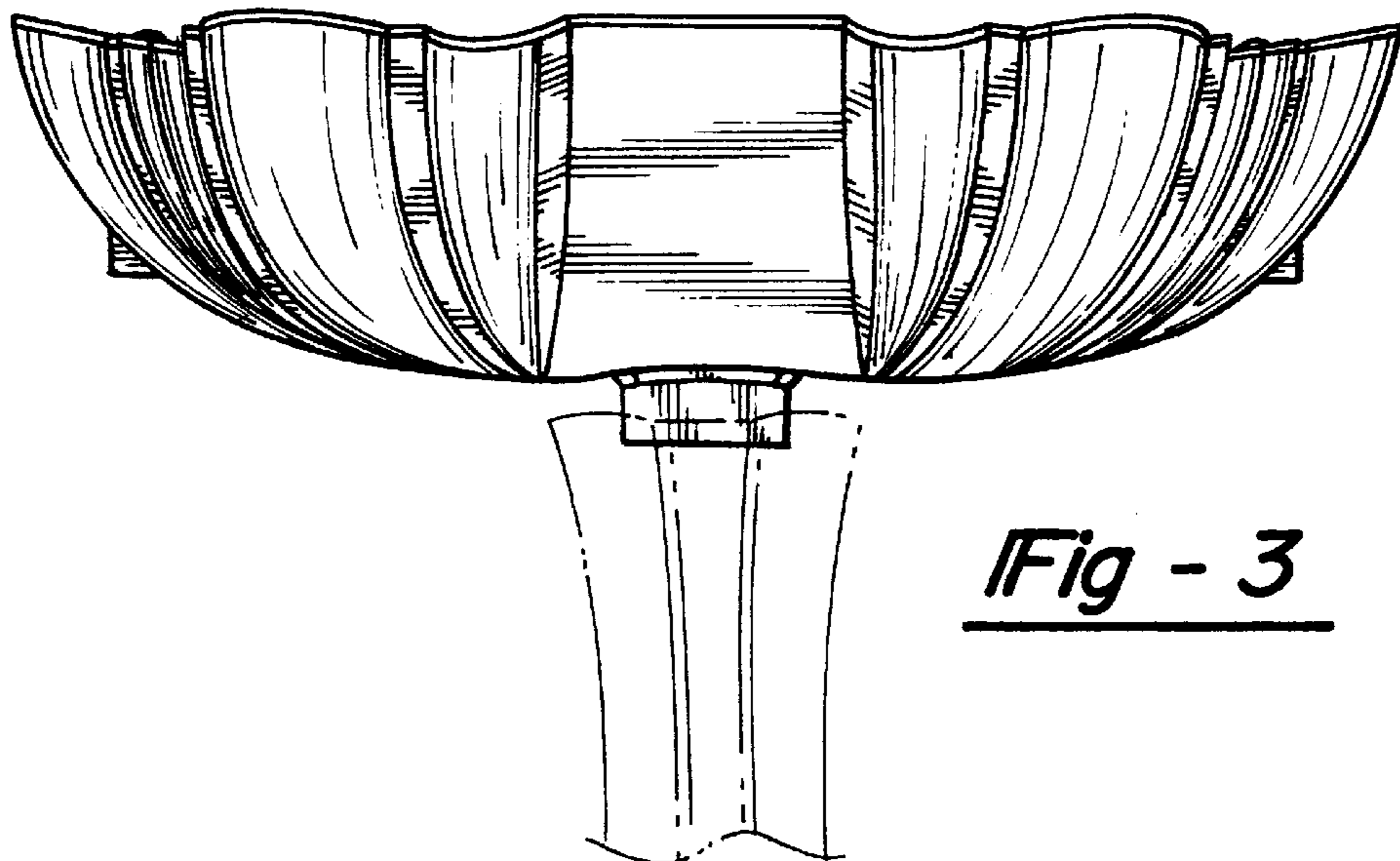


Fig - 3

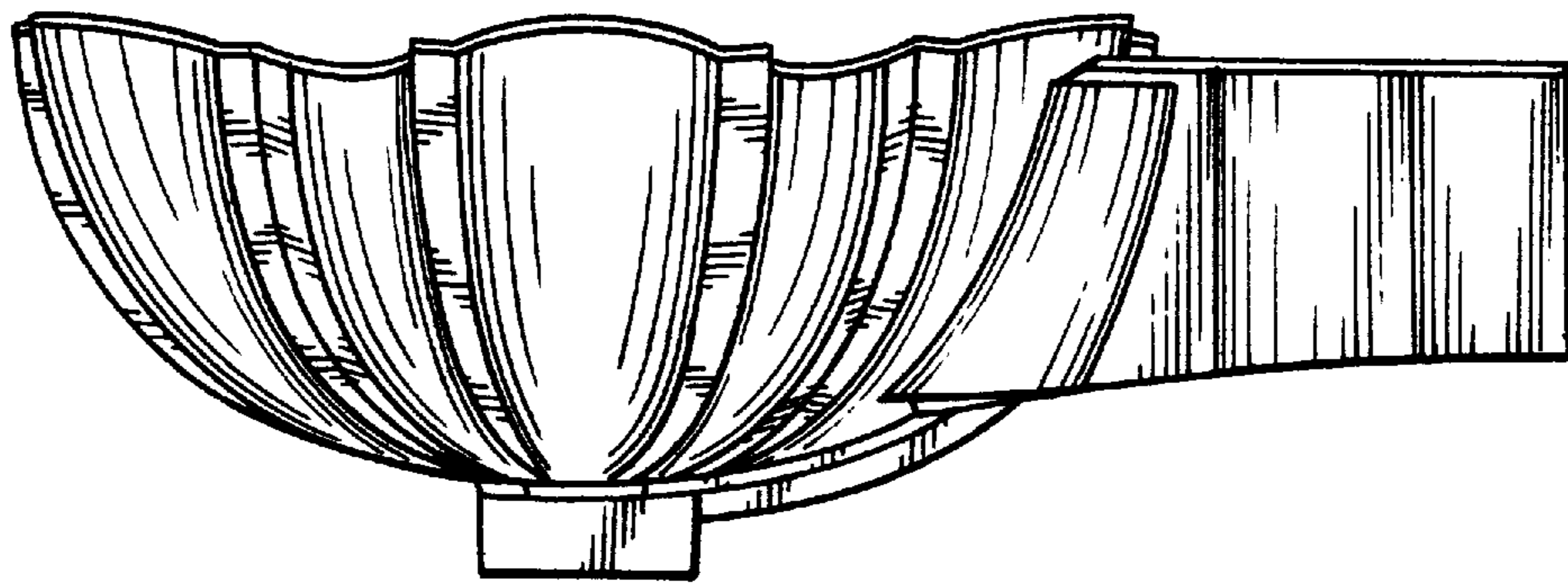


Fig - 4