



US00D398967S

United States Patent [19]

Kohler, Jr. et al.

[11] **Patent Number: Des. 398,967**

[45] **Date of Patent: **Sep. 29, 1998**

[54] **LAVATORY**

[75] Inventors: **Herbert V. Kohler, Jr.**, Kohler; **Mary J. Reid**, Sheboygan; **Theresa J. Millard**; **James M. Neiman**, both of Sheboygan Falls, all of Wis.

[73] Assignee: **Kohler Co.**, Kohler, Wis.

[**] Term: **14 Years**

[21] Appl. No.: **49,419**

[22] Filed: **Jan. 24, 1996**

[51] **LOC (6) Cl.** **23-02**

[52] **U.S. Cl.** **D23/284**

[58] **Field of Search** D23/284-293.1;
4/619, 624, 625, 626, 638-650

[56] **References Cited**

U.S. PATENT DOCUMENTS

D. 186,301	10/1959	Hurwitz	D23/285
D. 217,968	7/1970	Armstrong	D23/58
D. 242,859	12/1976	Gruber	D23/285
D. 243,325	2/1977	Krase et al.	D23/285
D. 288,351	2/1987	Smith	D23/58
D. 298,452	11/1988	Carter	D23/293
D. 319,682	9/1991	Sharp et al.	D23/285
3,720,963	3/1973	Zakaski	4/167

FOREIGN PATENT DOCUMENTS

787895	2/1990	Japan	D5/20
787895-1	2/1990	Japan	D5/20
873393	5/1991	Japan	D5/22

OTHER PUBLICATIONS

1992 INAX catalog ad showing a scalloped lavatory.

Primary Examiner—Louis S. Zarfes
Assistant Examiner—Eric Watterson
Attorney, Agent, or Firm—Quarles & Brady

[57] **CLAIM**

The ornamental design for a lavatory, as shown and described.

DESCRIPTION

FIG. 1 is a top, front perspective view of a lavatory embodying our new design;
FIG. 2 is a top plan view thereof;
FIG. 3 is a bottom plan view thereof;
FIG. 4 is a front elevational view thereof, the rear, left side, and right side elevational views being identical to the front elevational view shown;
FIG. 5 is a cross-sectional view taken along line 5—5 of FIG. 2;
FIG. 6 is a top, front perspective view of a second embodiment;
FIG. 7 is a top plan view thereof;
FIG. 8 is a bottom plan view thereof;
FIG. 9 is a first elevational view thereof, the rear, left side, and right side elevational views being identical to the front elevational view shown; and,
FIG. 10 is a cross-sectional view taken along line 10—10 of FIG. 7.

1 Claim, 6 Drawing Sheets

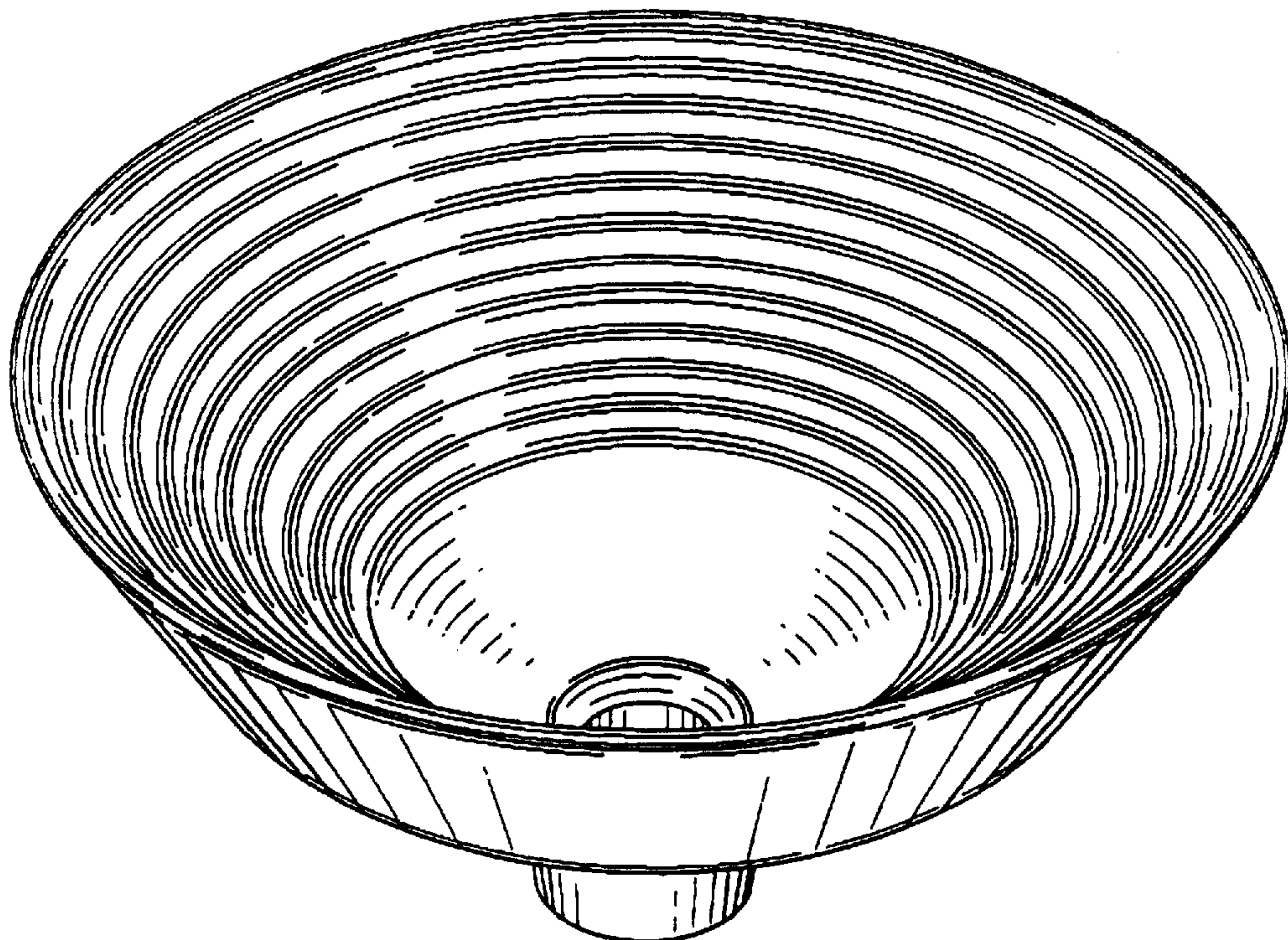


FIG. 1

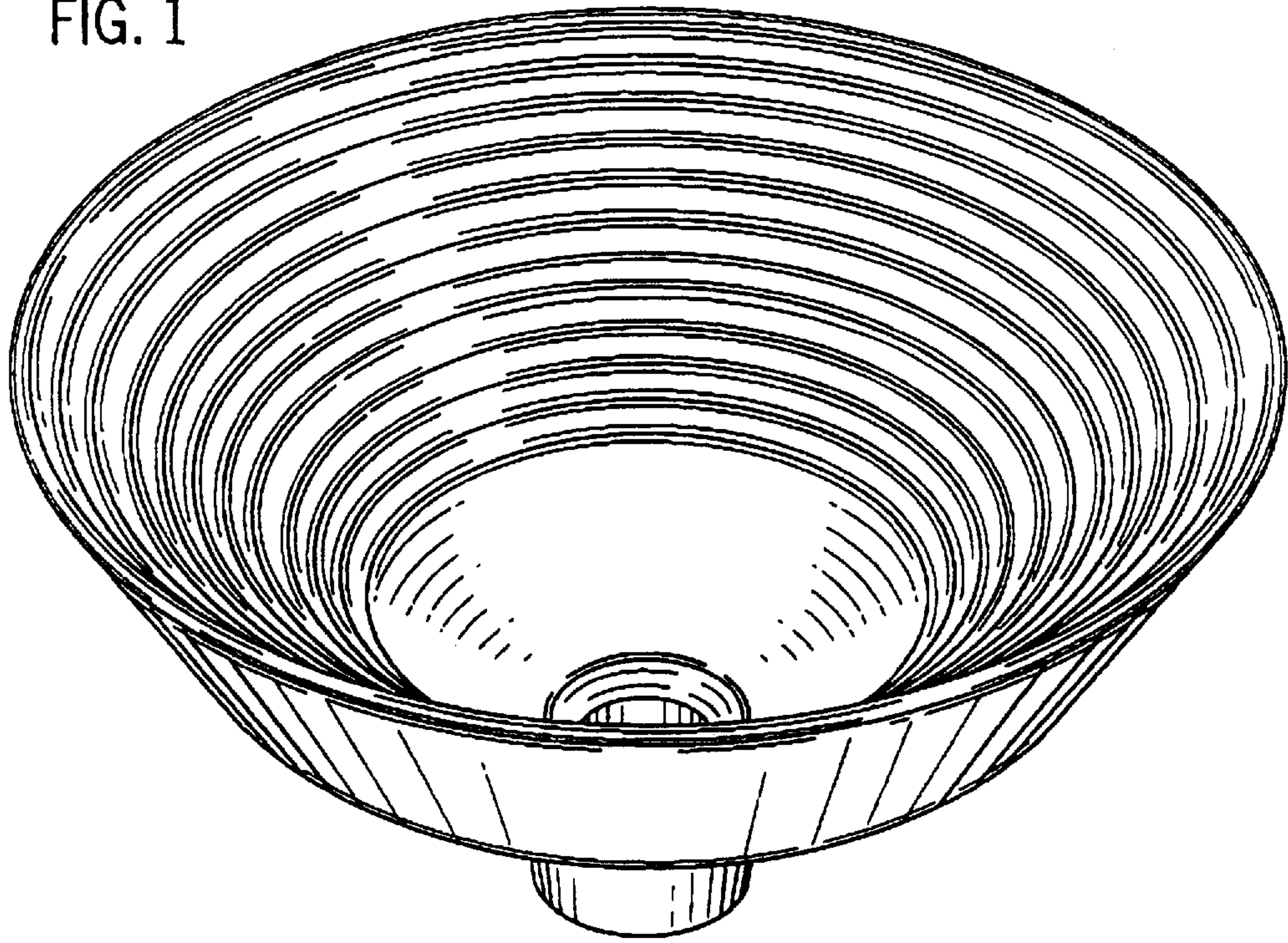


FIG. 5

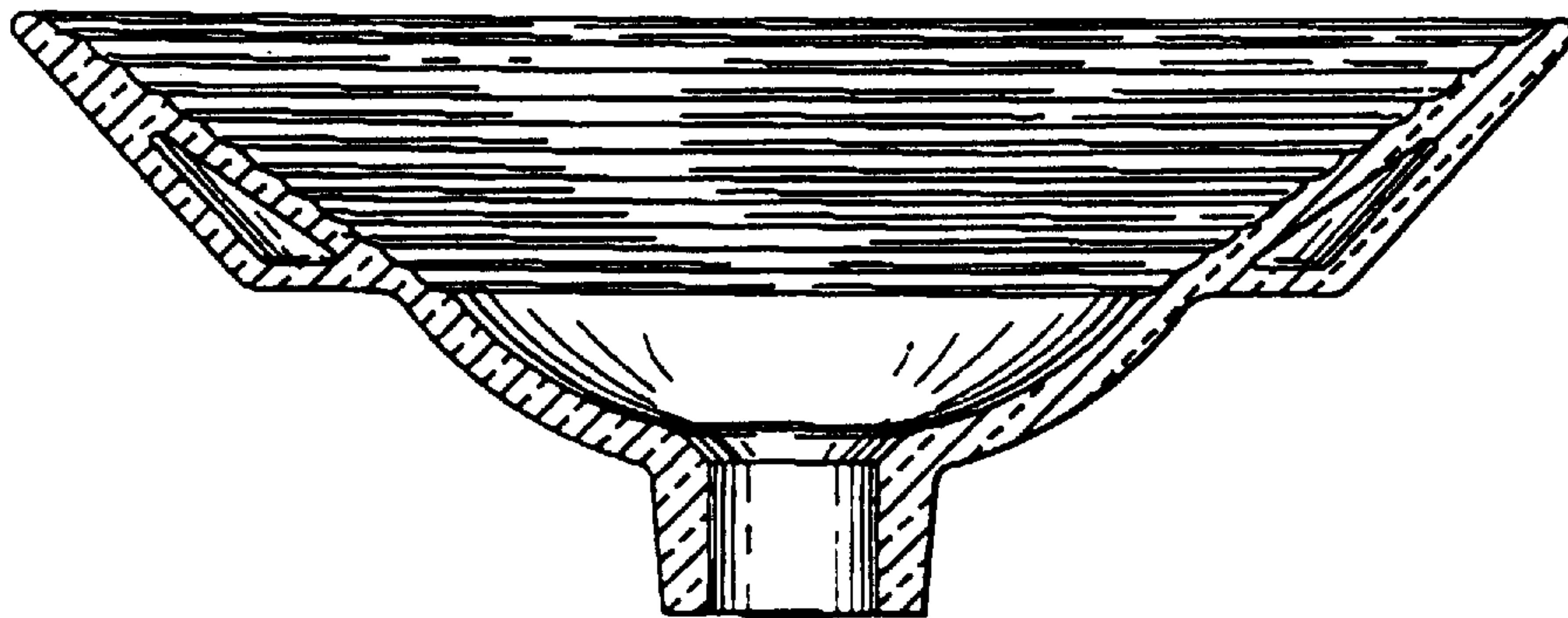


FIG. 2

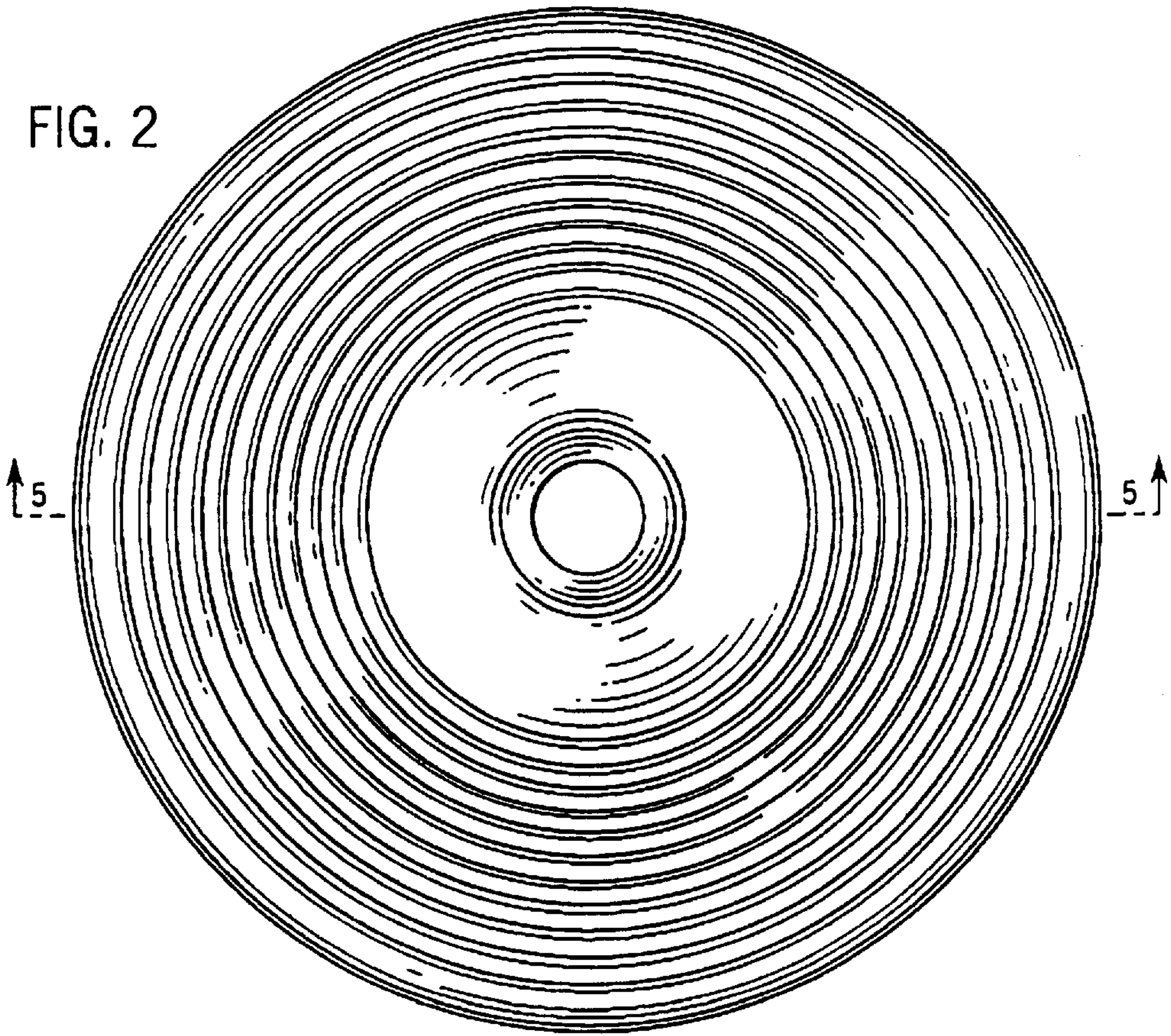


FIG. 4

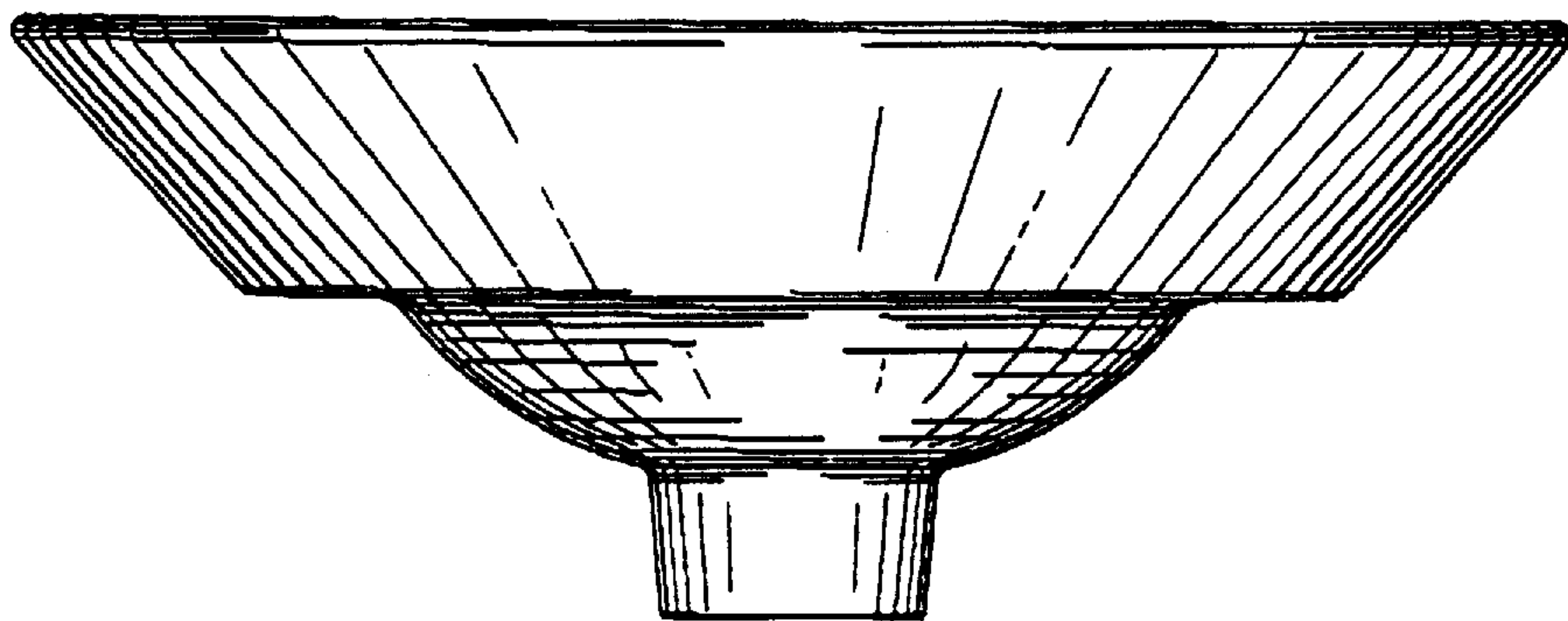


FIG. 3

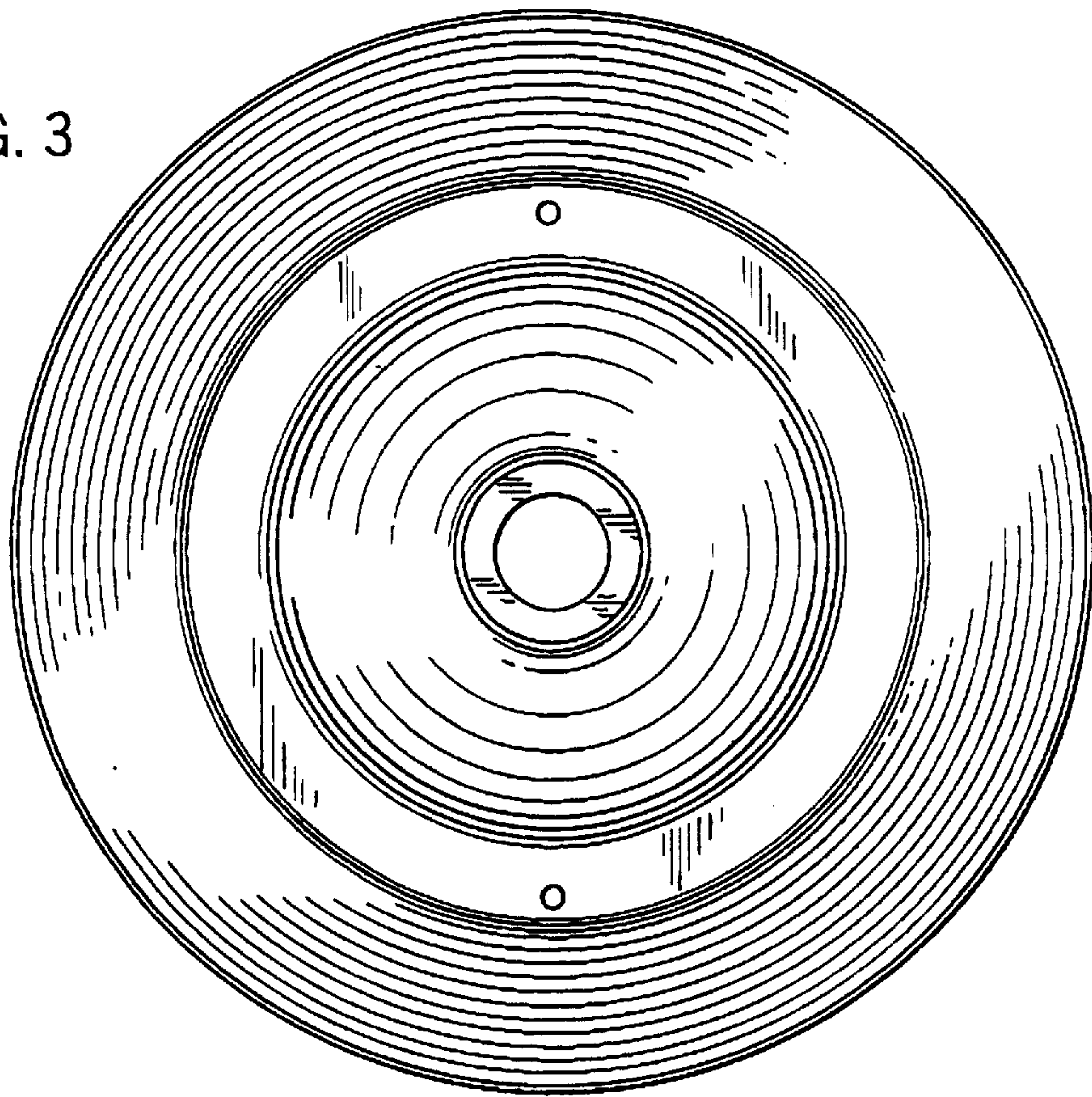


FIG. 6

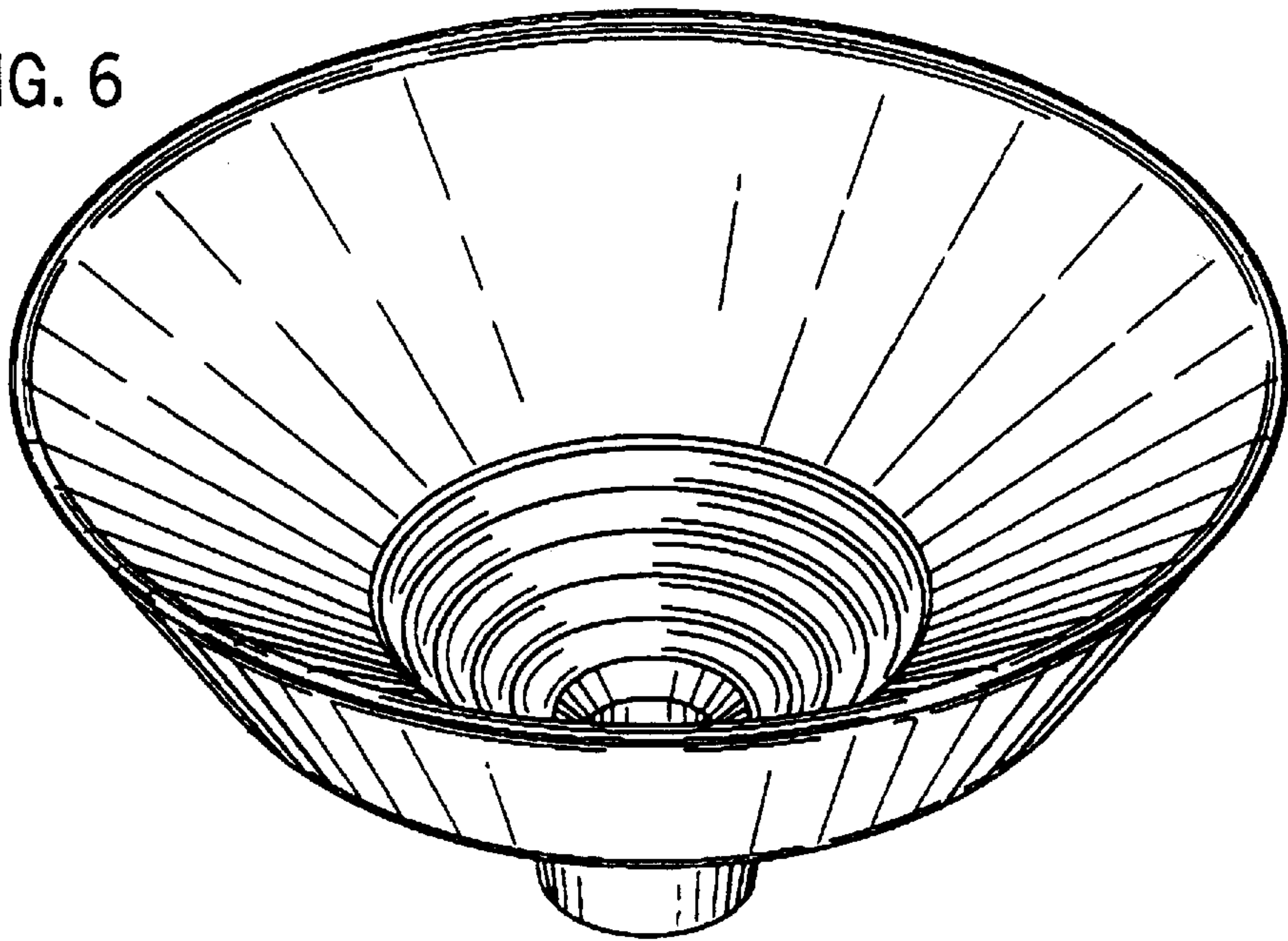
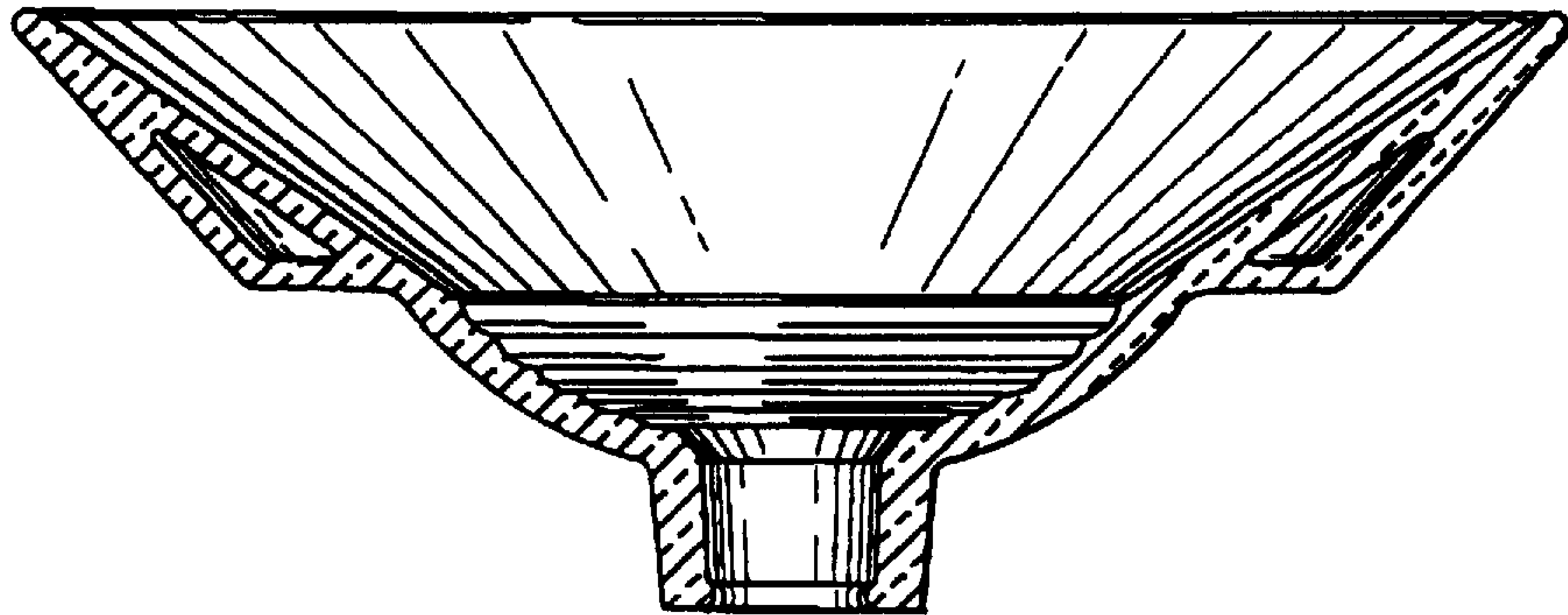


FIG. 10



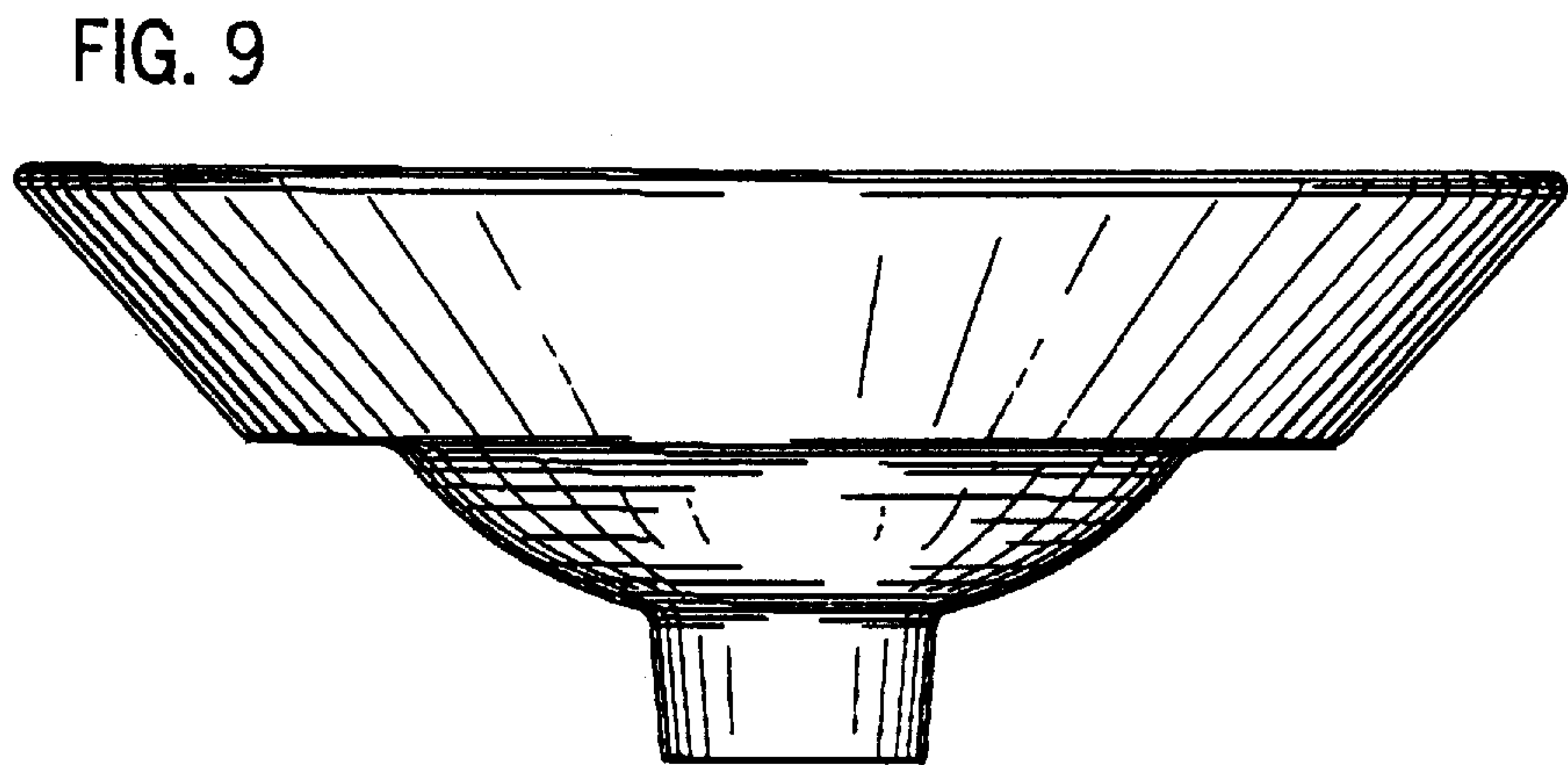
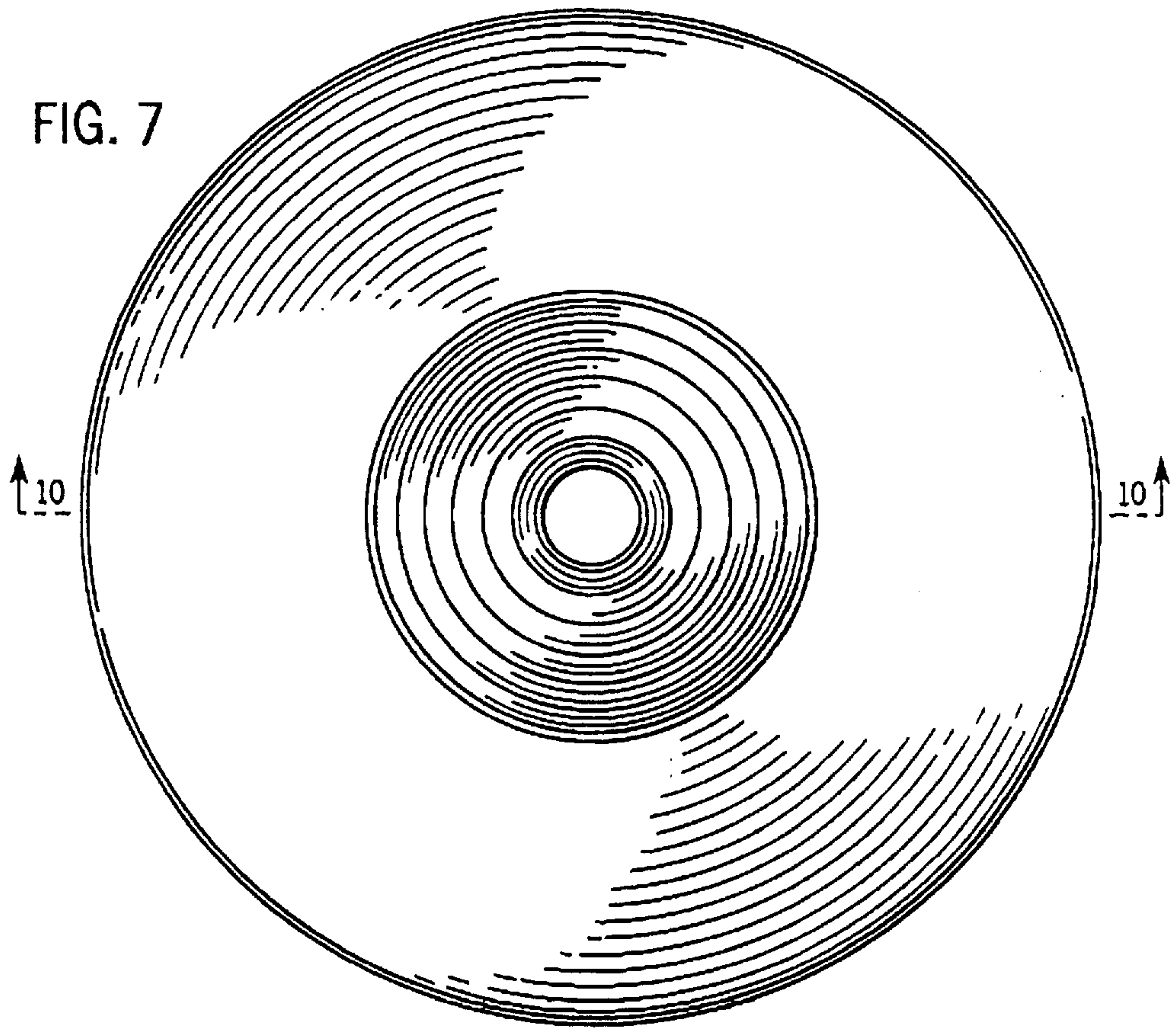


FIG. 8

