



US00D398964S

United States Patent [19]

Doughty et al.

[11] Patent Number: **Des. 398,964**

[45] Date of Patent: ****Sep. 29, 1998**

[54] **SPOUT**

[75] Inventors: **Frederic C. Doughty**, South Pasadena;
Darren M. Mark, Valencia; **Alvin Tolosa**, Ventura, all of Calif.

[73] Assignee: **Emhart Inc.**, Newark, Del.

[*] Notice: The term of this patent shall not extend beyond the expiration date of Pat. No. Des. 393,054.

[**] Term: **14 Years**

[21] Appl. No.: **78,262**

[22] Filed: **Oct. 23, 1997**

[51] **LOC (6) Cl.** **23-01**

[52] **U.S. Cl.** **D23/255**

[58] **Field of Search** D23/238-243,
D23/250-257; 4/675-678; 137/801

[56] References Cited

U.S. PATENT DOCUMENTS

- D. 358,869 5/1995 Mark et al. D23/238
- D. 360,931 8/1995 Mark et al. D23/238
- D. 367,698 3/1996 Has et al. D23/238

- D. 379,848 6/1997 Doughty et al. D23/255
- D. 387,131 12/1997 Hurt et al. D23/238
- 5,349,987 9/1994 Shieh .

Primary Examiner—Louis S. Zarfaz
Assistant Examiner—Eric Watterson
Attorney, Agent, or Firm—Harold Weinstein

[57] CLAIM

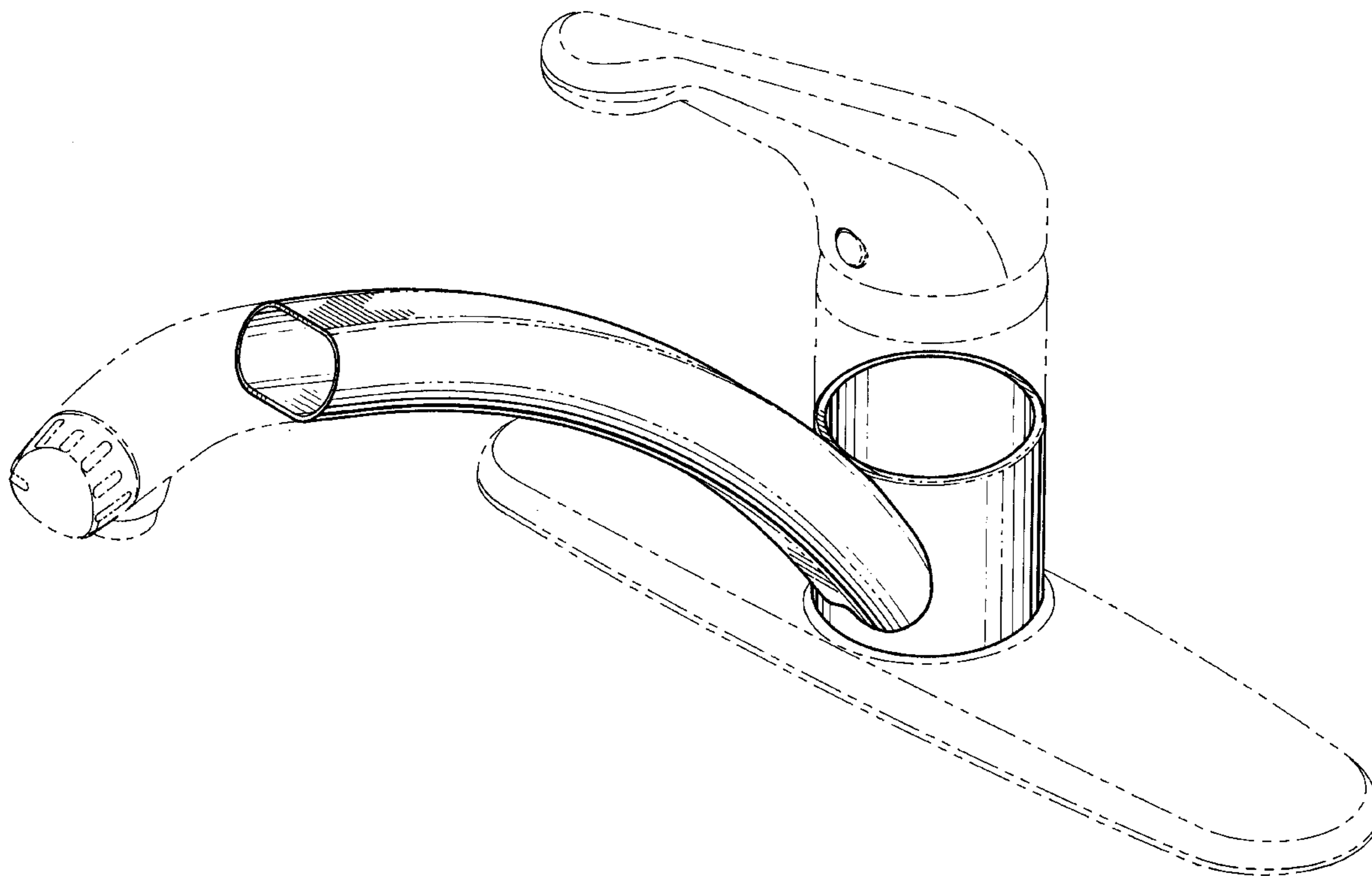
The ornamental design for spout, as shown and described.

DESCRIPTION

FIG. 1 is a perspective view of our new design of the spout; FIG. 2 is a front elevational view of our new design of the spout; FIG. 3 is a rear elevational view of our new design of the spout; FIG. 4 is a top plan view of our new design of the spout; FIG. 5 is a bottom plan view of our new design of the spout; FIG. 6 is a right elevational view of our new design of the spout; and, FIG. 7 is a left elevational view of our new design of the spout.

The broken line representation in FIG. 1 of the drawings of the faucet base, handle and spout (partial) is for illustrative purposes only and forms no part of the claimed design.

1 Claim, 4 Drawing Sheets



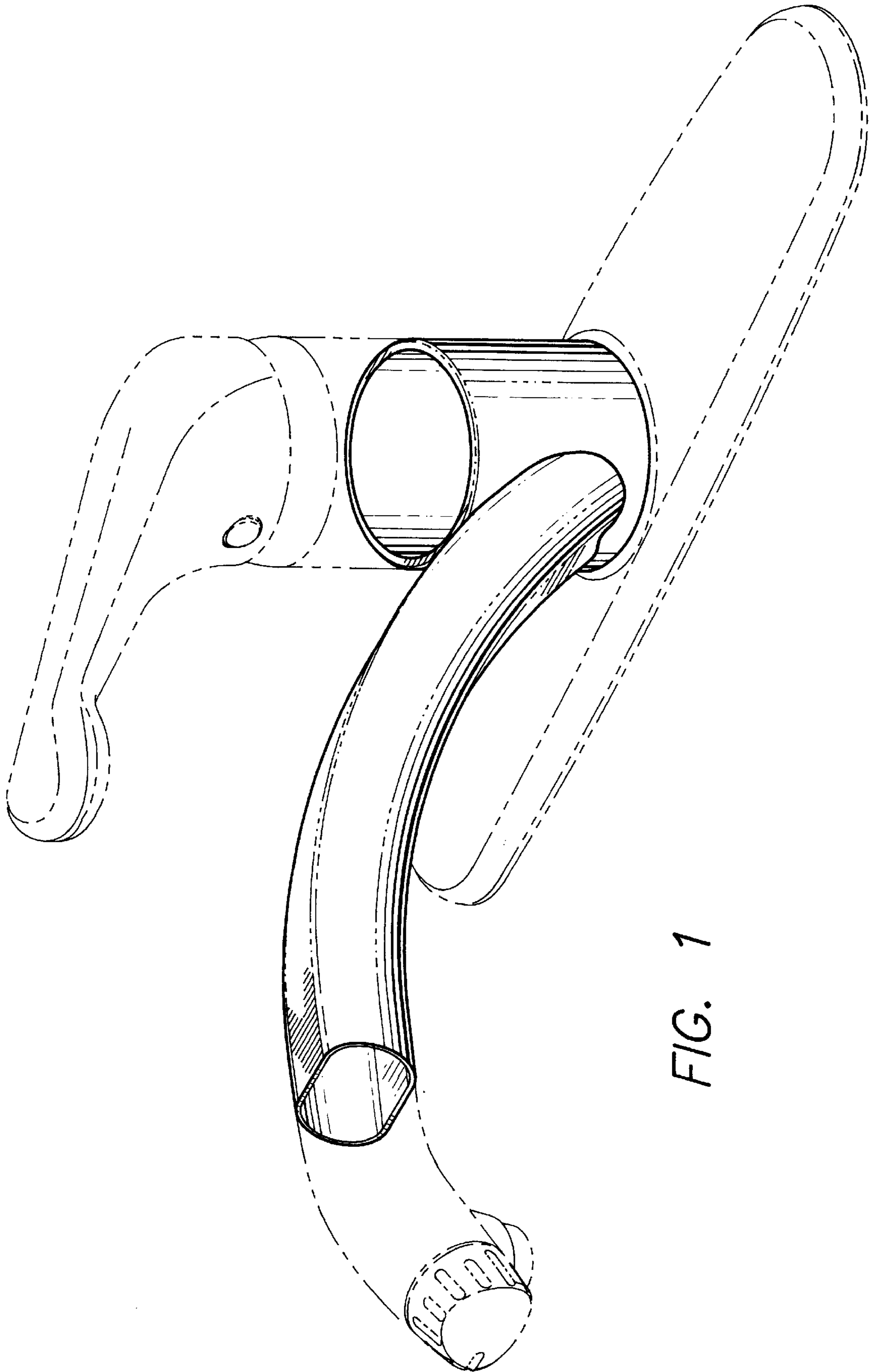


FIG. 1

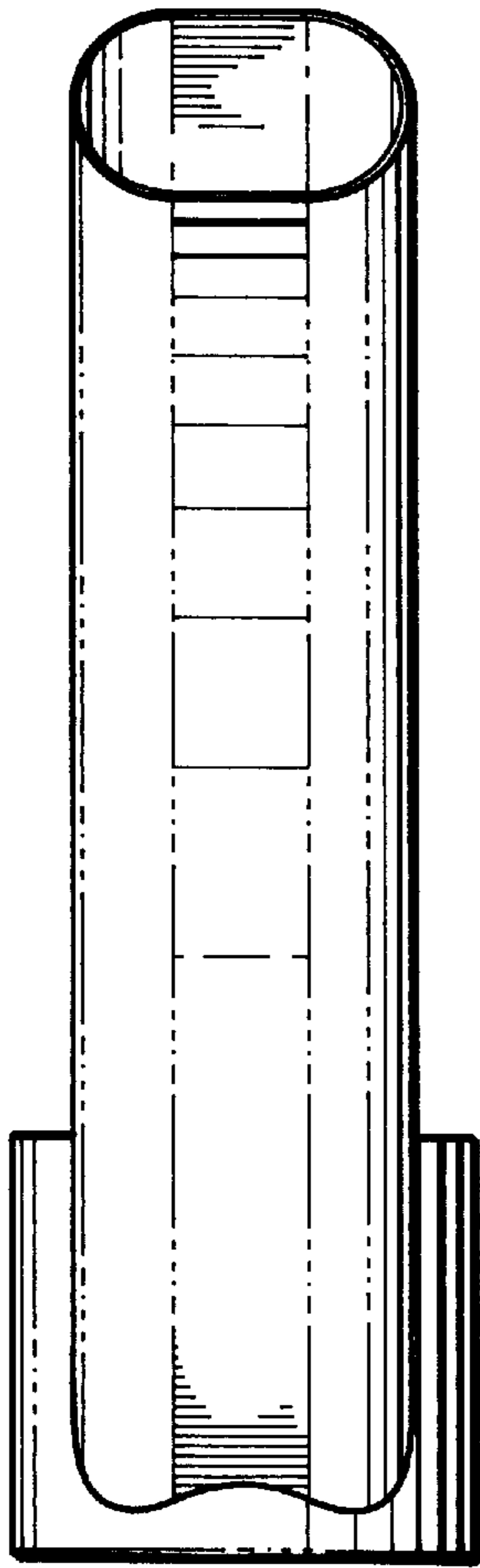


FIG. 2

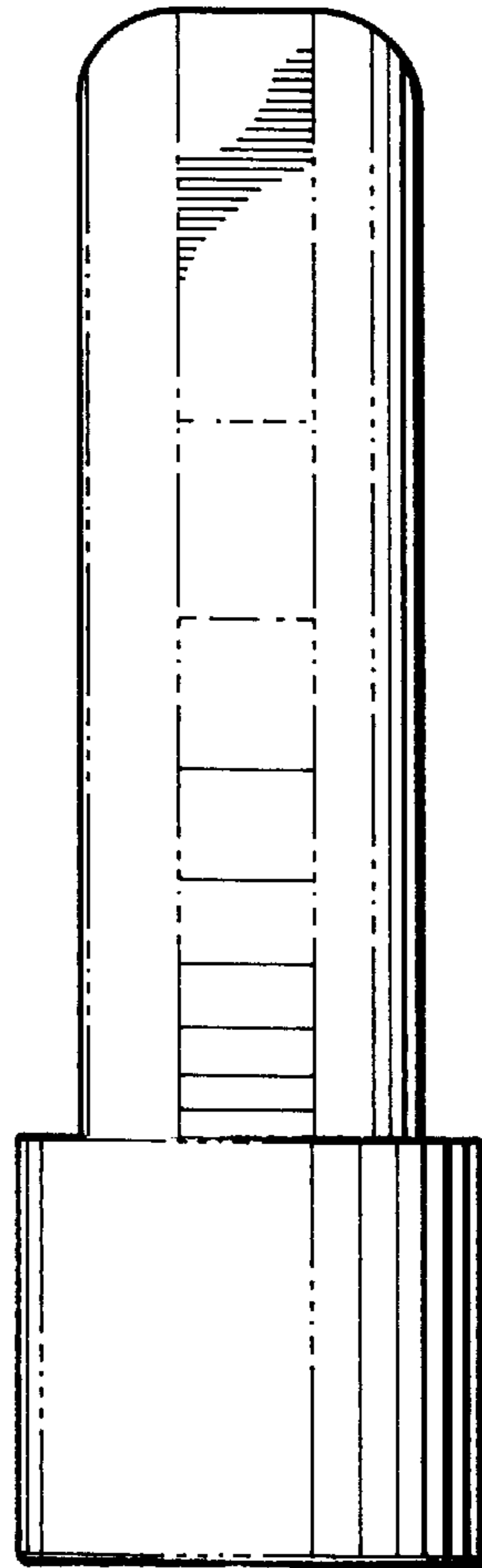


FIG. 3

FIG. 4

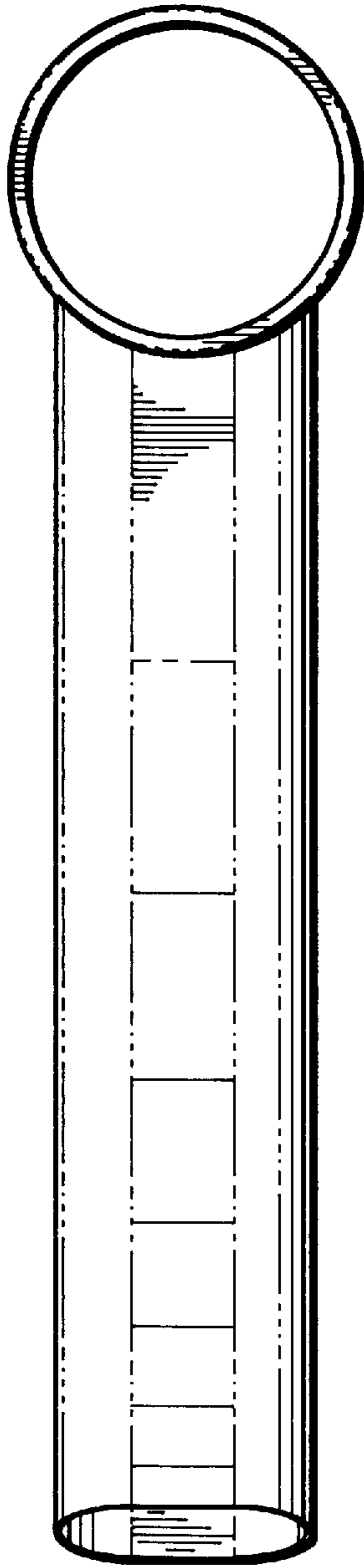
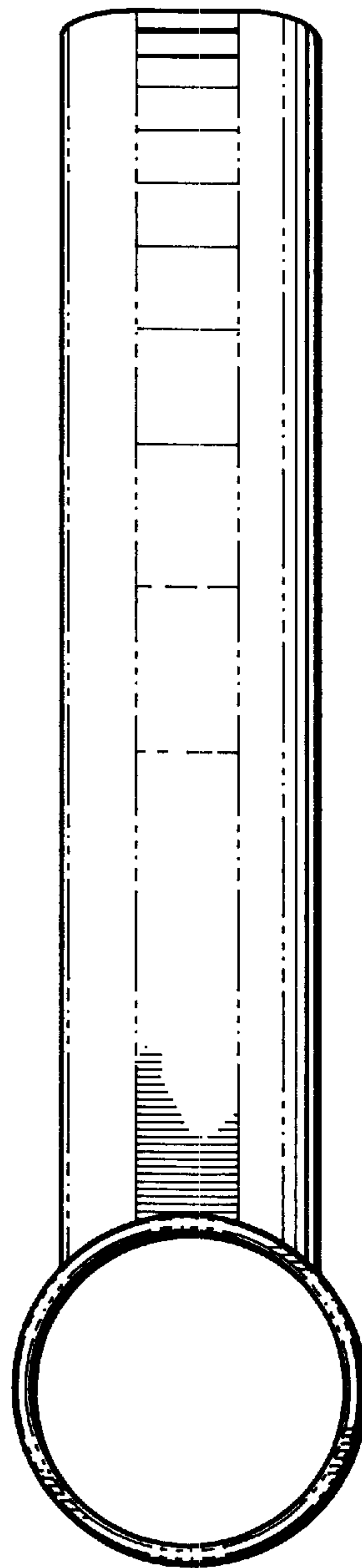


FIG. 5



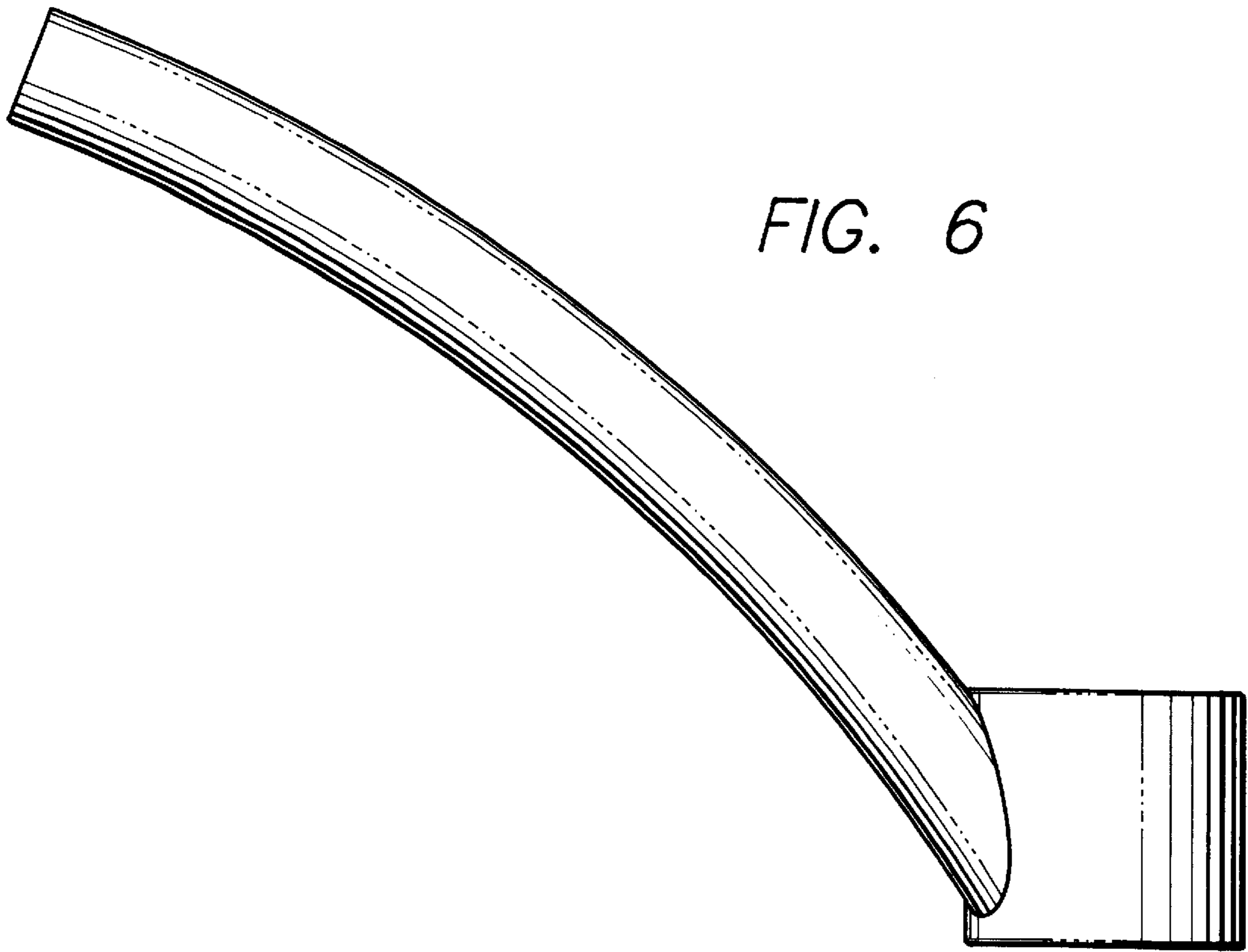


FIG. 6

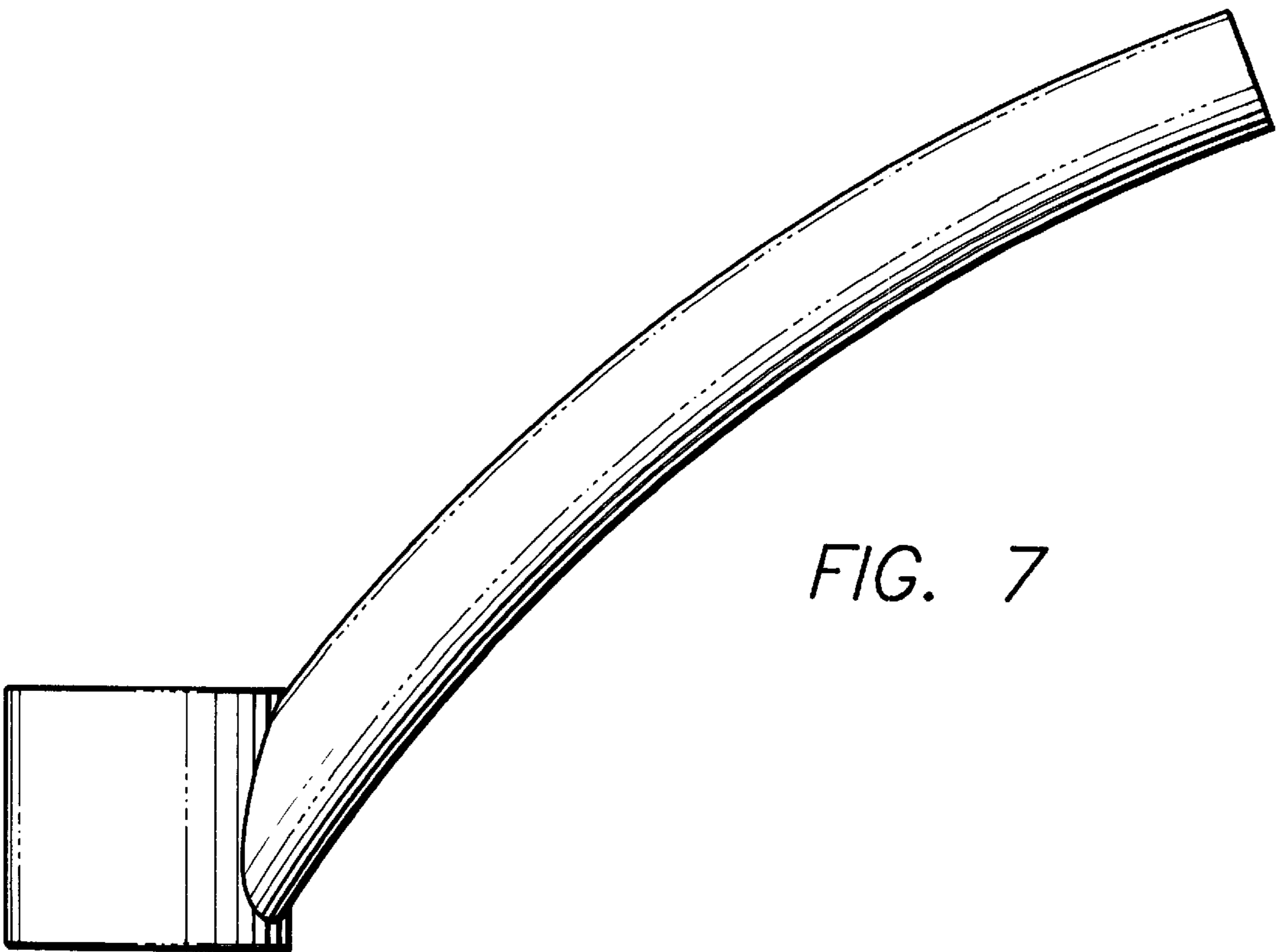


FIG. 7