



US00D398962S

United States Patent [19]
Hundley et al.

[11] **Patent Number: Des. 398,962**

[45] **Date of Patent: **Sep. 29, 1998**

[54] **HANDLE FOR PLUMBING FITTING**

[75] Inventors: **Jill E. Hundley; Mary J. Reid;**
Thomas A. Bonnell, all of Sheboygan,
Wis.

[73] Assignee: **Kohler Co.**, Kohler, Wis.

[**] Term: **14 Years**

[21] Appl. No.: **71,853**

[22] Filed: **May 29, 1997**

Related U.S. Application Data

[62] Division of Ser. No. 49,416, Jan. 24, 1996, Pat. No. Des. 385,953.

[51] **LOC (6) Cl.** **23-01**

[52] **U.S. Cl.** **D23/252**

[58] **Field of Search** D23/238-243,
D23/250-254; D8/300-308; D21/102; 4/675-678;
16/110 R, 118, 121, 123, 125

[56] **References Cited**

U.S. PATENT DOCUMENTS

D. 51,961	4/1918	Healey	D8/307
D. 56,145	8/1920	Greene	D8/307
D. 332,824	1/1993	Robbins	D8/308
D. 348,509	7/1994	Bollenbacher	D6/550

OTHER PUBLICATIONS

1994 JADO catalog ad showing a "Tiora" 806/102 plumbing handle.

Undated Sterling catalog ad showing a plumbing handle.

1994 Kohler catalog ad, p. 21, showing "Antique" wide-spread lavatory faucet.

Undated harden catalog ad, p. 25, showing a "56 Series" faucet handle escutcheon.

1989 WICO catalog ad showing "Retro" faucet handle escutcheon.

Primary Examiner—Louis S. Zarfes

Assistant Examiner—Eric Watterson

Attorney, Agent, or Firm—Quarles & Brady

[57] **CLAIM**

The ornamental design for a handle for plumbing fitting, as shown and described.

DESCRIPTION

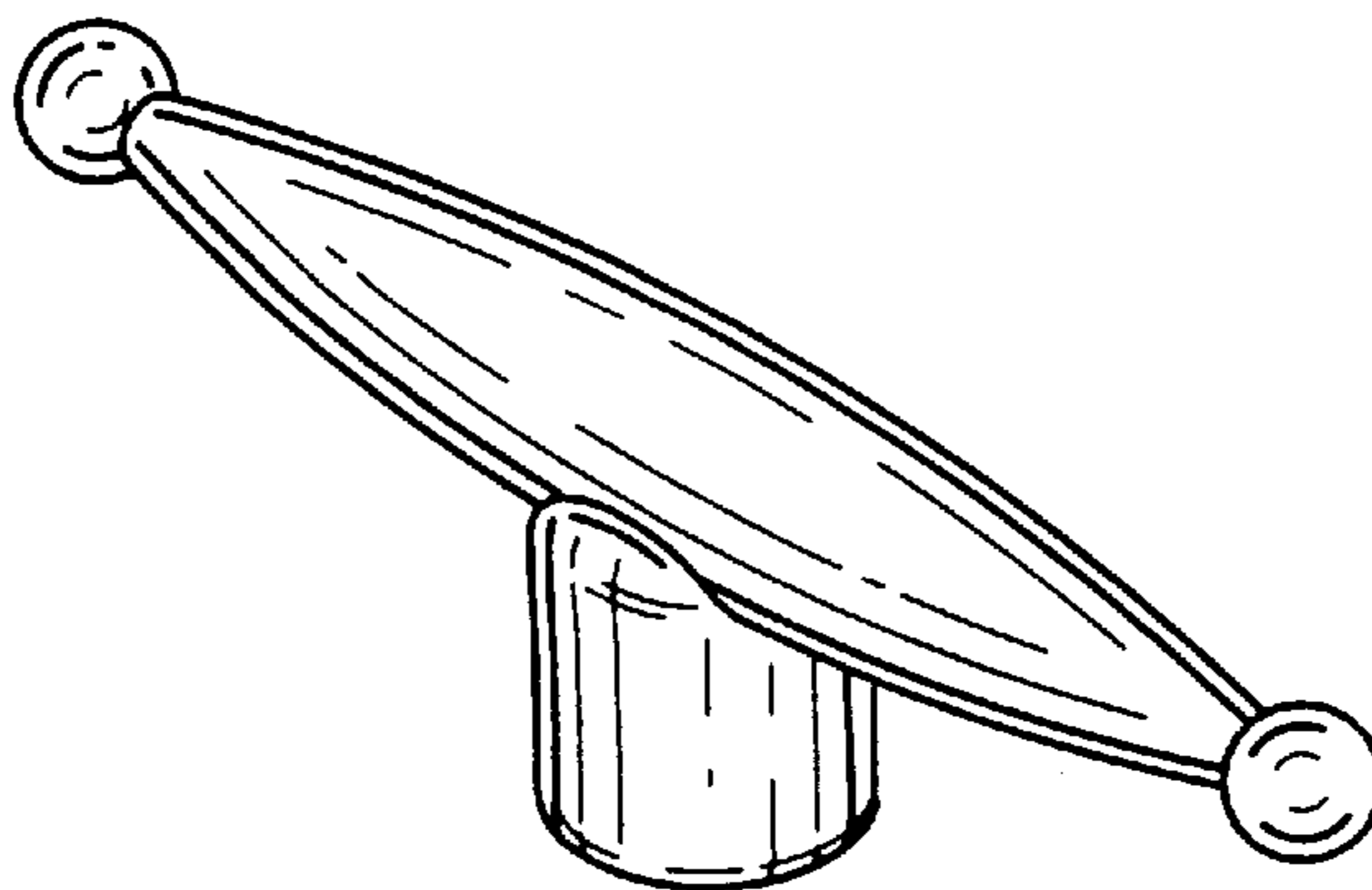
FIG. 1 is a right, top, front perspective view of a plumbing handle embodying our new design;

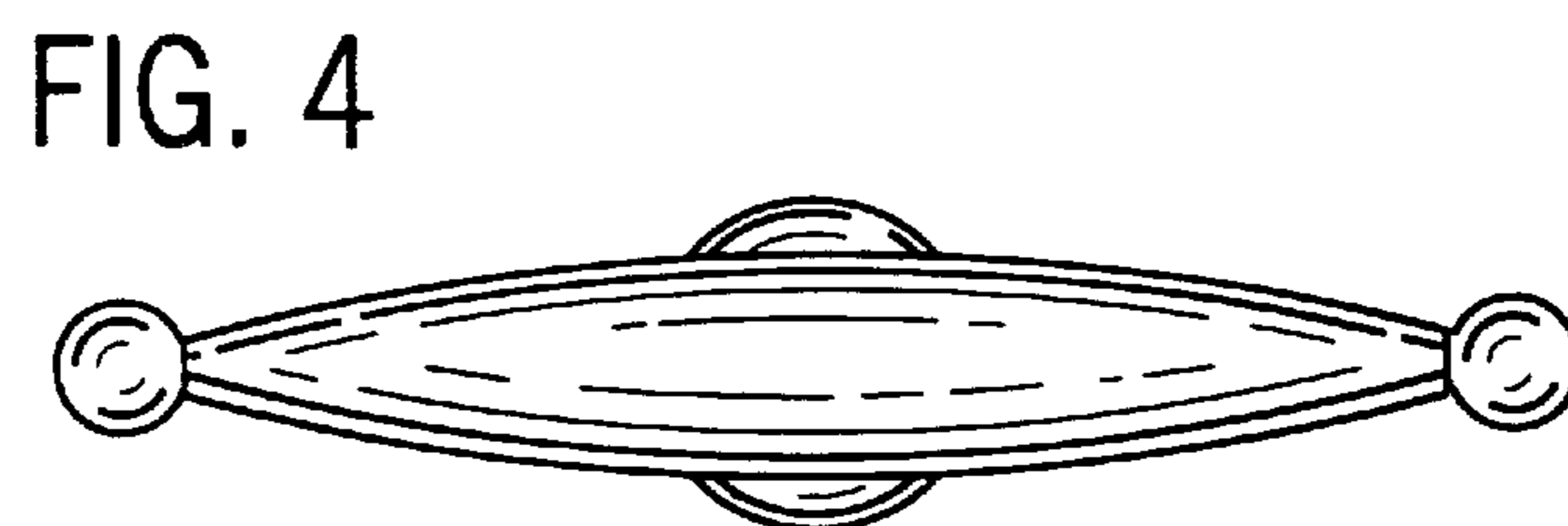
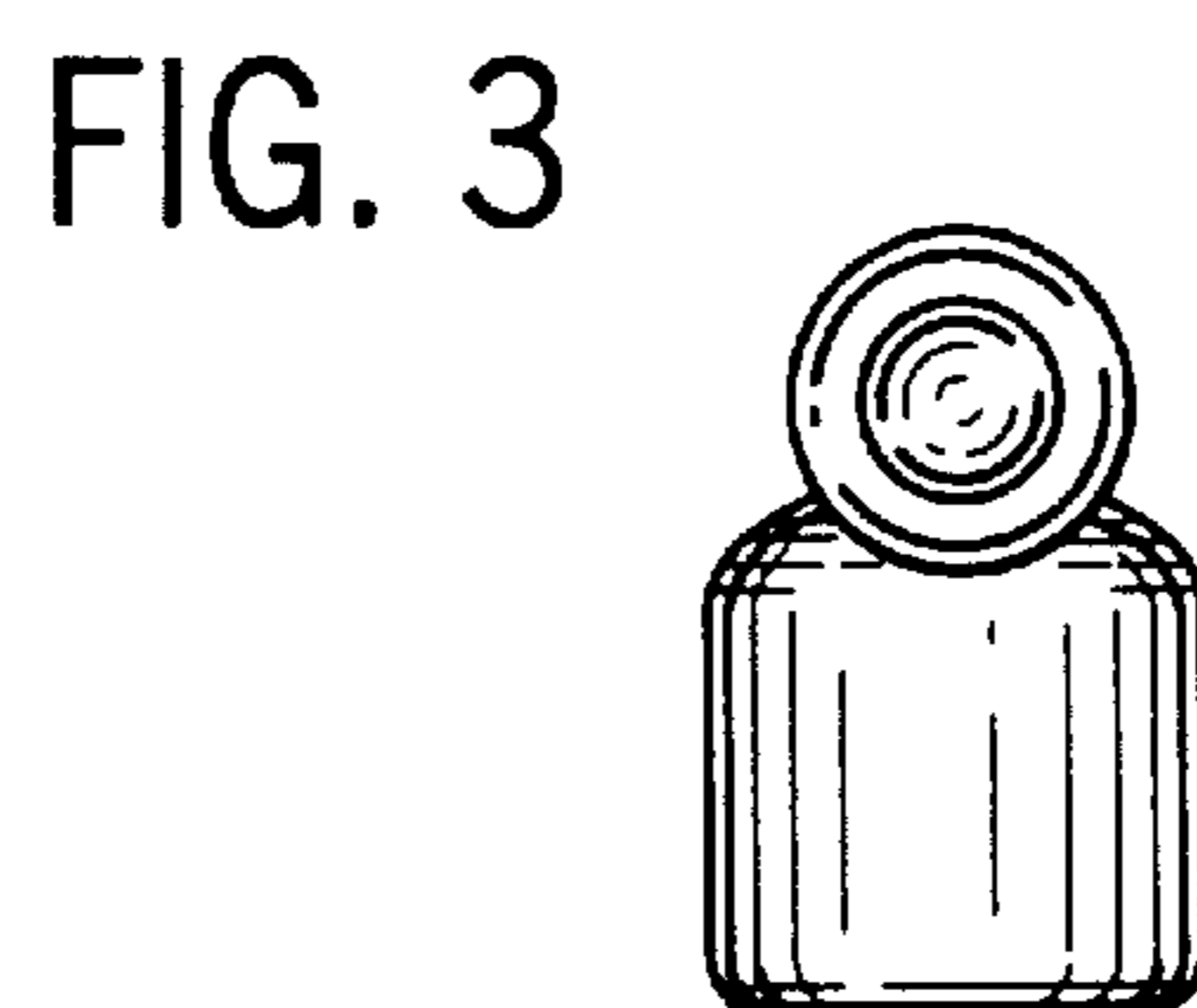
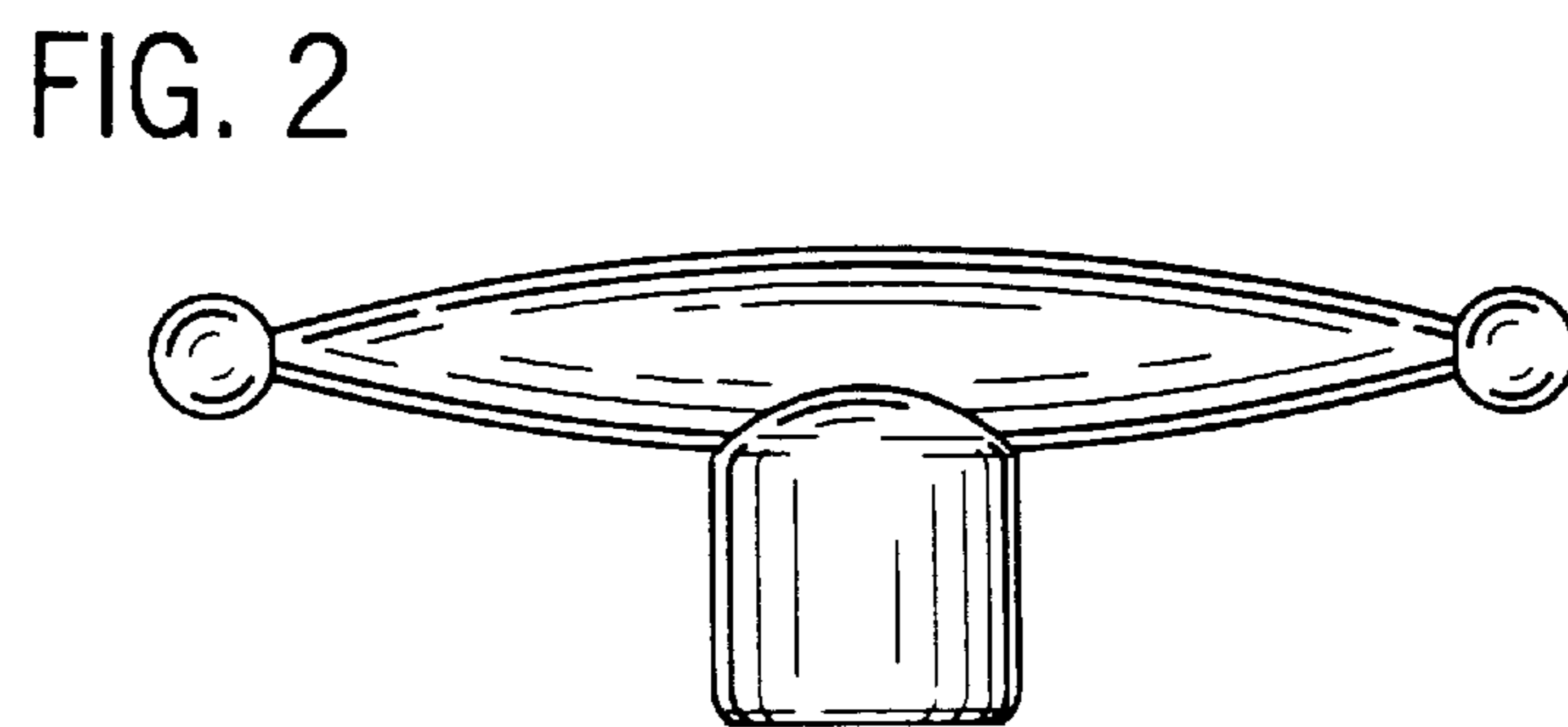
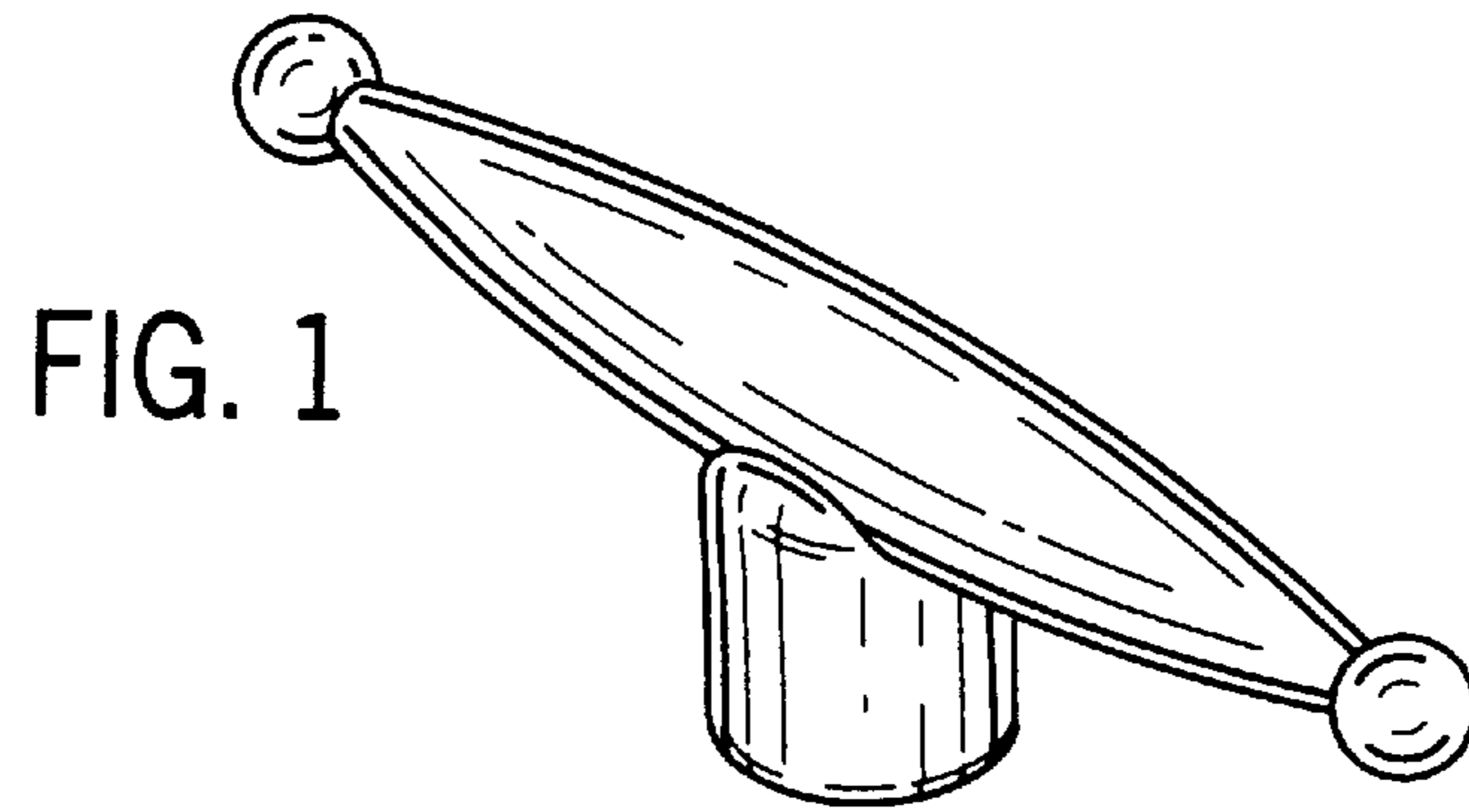
FIG. 2 is a front elevational view thereof, the rear elevational view being identical to the front side shown;

FIG. 3 is a right side elevational view thereof, the left side elevational view being identical to the right side shown; and,

FIG. 4 is a top plan view thereof.

1 Claim, 1 Drawing Sheet





UNITED STATES PATENT AND TRADEMARK OFFICE
CERTIFICATE OF CORRECTION

PATENT NO. : D398,962
DATED : September 29, 1998
INVENTOR(S) : Jill E. Hundley, et al

It is certified that error appears in the above-identified patent and that said Letters Patent is hereby corrected as shown below:

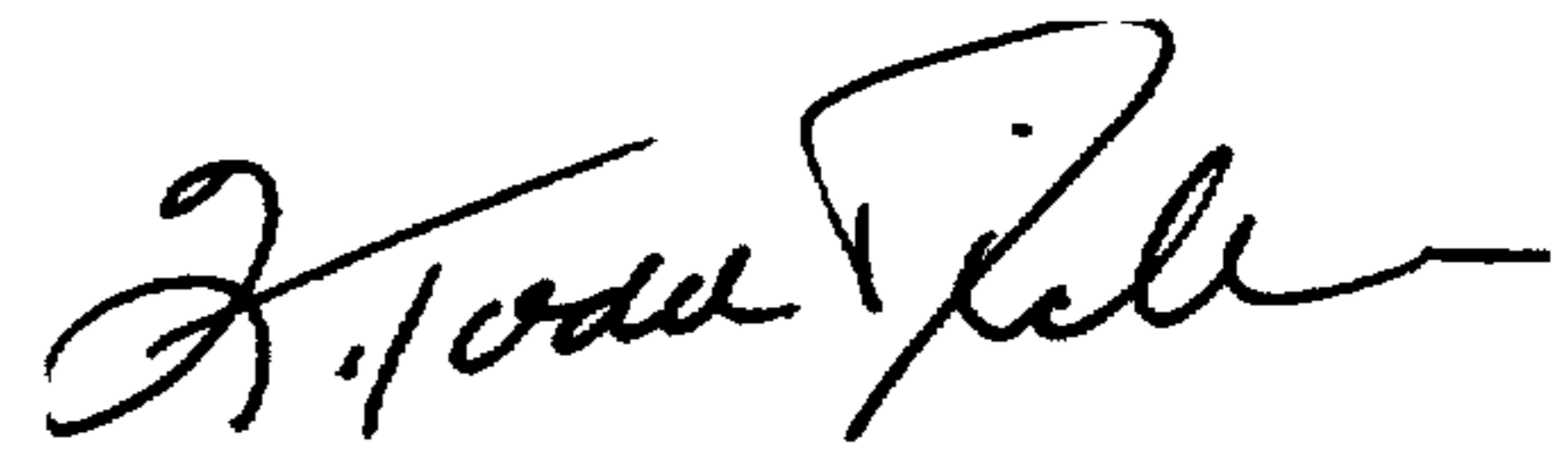
On the title page,

DESCRIPTION

In the Fig. 1 description replace "plumbing handle" with --handle for plumbing fitting--.

Signed and Sealed this
Twenty-fifth Day of May, 1999

Attest:



Q. TODD DICKINSON

Attesting Officer

Acting Commissioner of Patents and Trademarks