



US00D398960S

United States Patent [19]
Lord

[11] **Patent Number: Des. 398,960**

[45] **Date of Patent: **Sep. 29, 1998**

[54] **TWO HANDLE FAUCET SPOUT CAP**

[75] Inventor: **Judd A. Lord**, Carmel, Ind.

[73] Assignee: **Masco Corporation of Indiana**, Indianapolis, Ind.

[**] Term: **14 Years**

[21] Appl. No.: **75,779**

[22] Filed: **Aug. 22, 1997**

[51] **LOC (6) Cl.** **23-01**

[52] **U.S. Cl.** **D23/249; D23/260**

[58] **Field of Search** **D23/237-243, D23/250-257, 260, 261; 4/675-678; D8/397, 399, 394; 220/724, 726; 137/377, 382, 381, 382.5, 375; 138/89, 89.1-89.3, 96 R, 96 T; 16/121**

[56] **References Cited**

U.S. PATENT DOCUMENTS

D. 148,252	12/1947	Rausch	D23/250
D. 170,468	9/1953	Gries	D8/397
D. 269,696	7/1983	Niemann	D23/250
D. 288,902	3/1987	Lewis	D8/397
D. 340,007	10/1993	Gershenson	D8/394
D. 354,113	1/1995	Nortier et al.	D23/233
D. 359,342	6/1995	Doughty et al.	D23/241

D. 374,172	10/1996	Frattarola	D8/397
D. 384,133	9/1997	Doughty et al.	D23/241
4,103,701	8/1978	Jeng	137/375
4,593,430	6/1986	Spangler et al.	16/121

Primary Examiner—Louis S. Zarfes
Assistant Examiner—Eric Watterson
Attorney, Agent, or Firm—Myron B. Kapustij; Malcolm L. Sutherland

[57] **CLAIM**

The ornamental design for a two handle faucet spout cap, as shown and described.

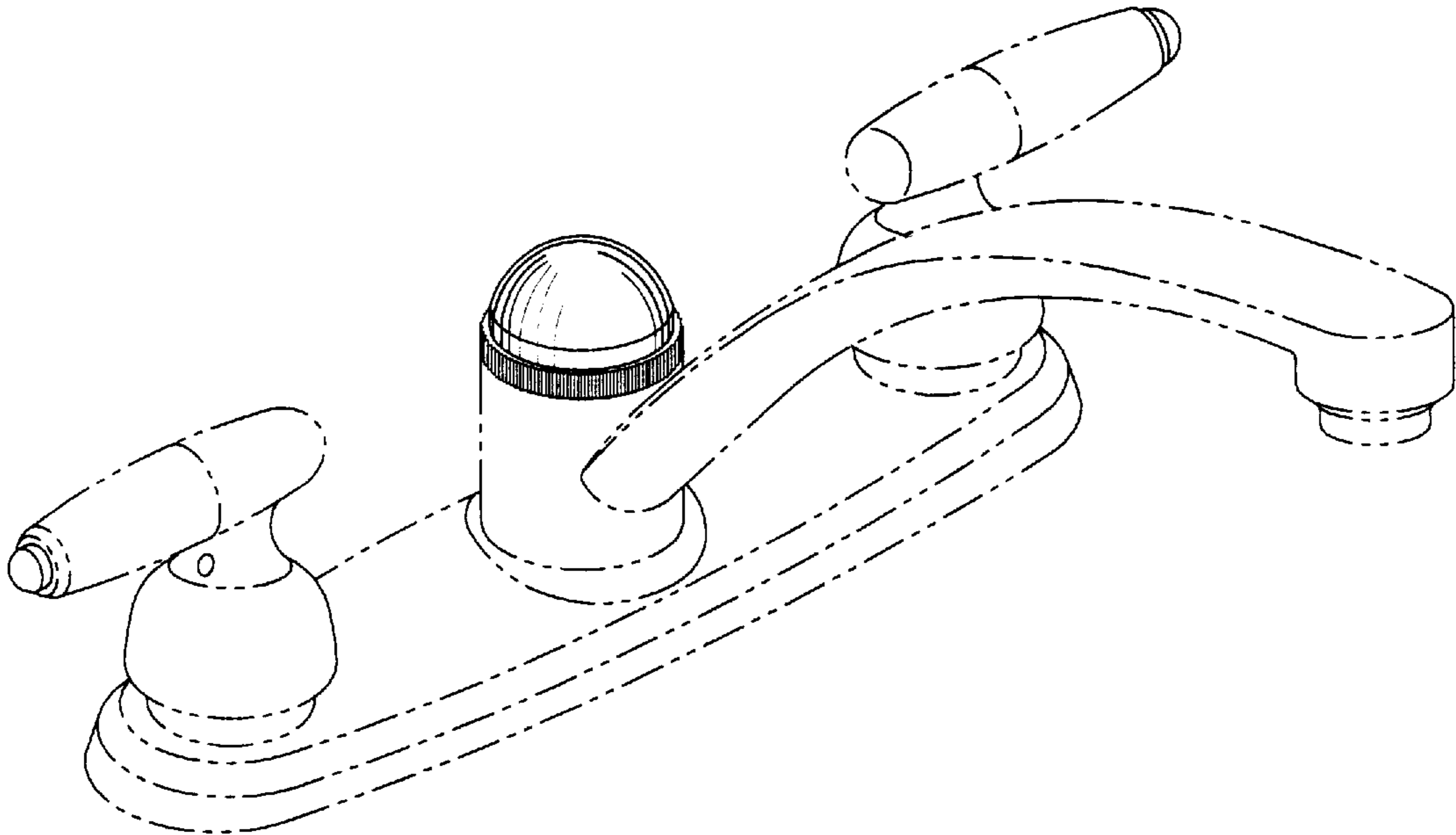
DESCRIPTION

FIG. 1 is a top perspective view of a two handle faucet spout cap showing my new design;
FIG. 2 is a side elevational view, all other sides being a mirror image thereof;
FIG. 3 is a top plan view thereof; and,
FIG. 4 is a side elevational view of a second embodiment, showing my new design, all other sides being a mirror image thereof.

The broken line showing of the faucet and handles in FIG. 1 is for purposes of illustration only and forms no part of the claimed design.

Both bottom views being plain and unornamented.

1 Claim, 1 Drawing Sheet



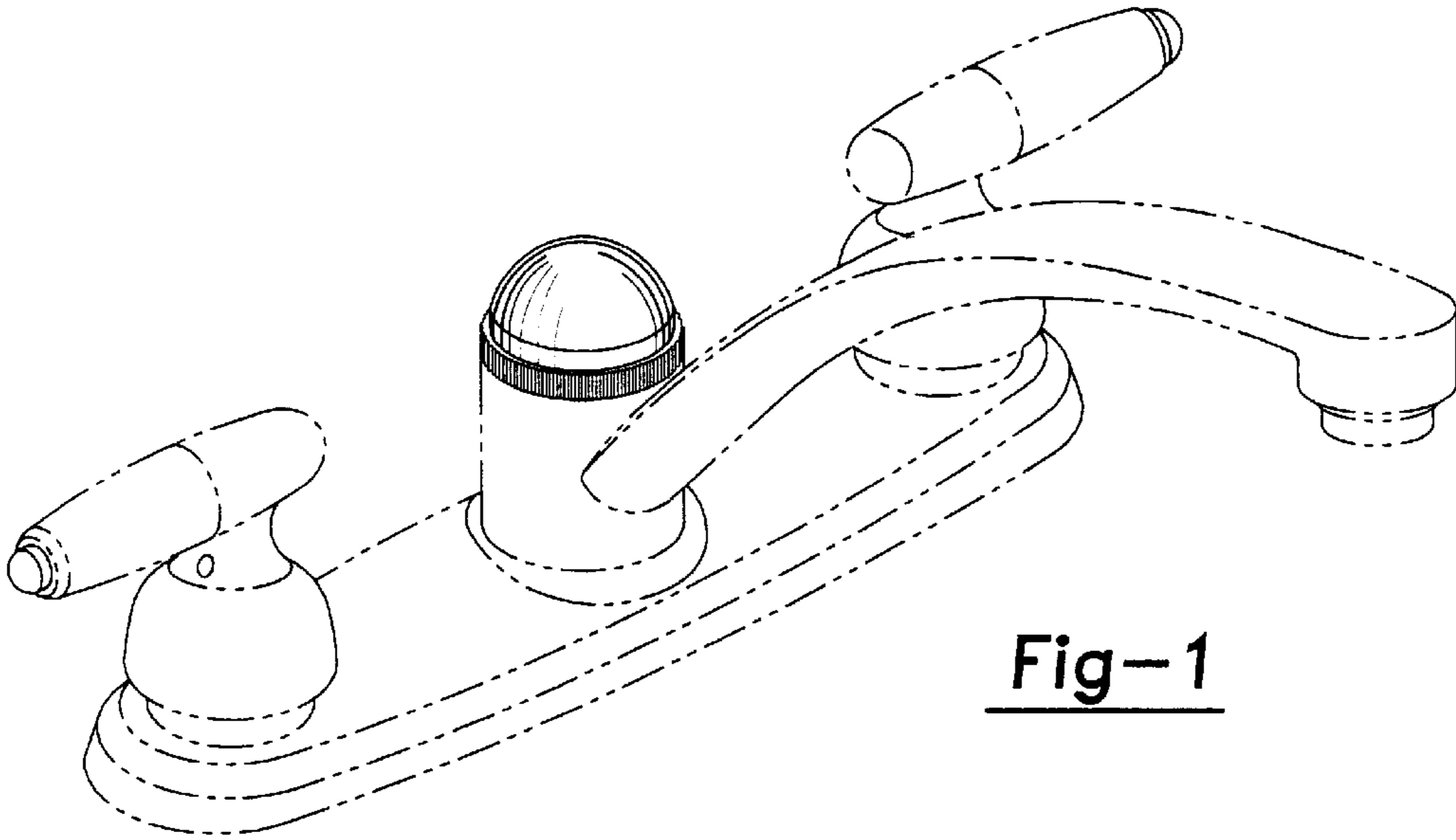


Fig-1

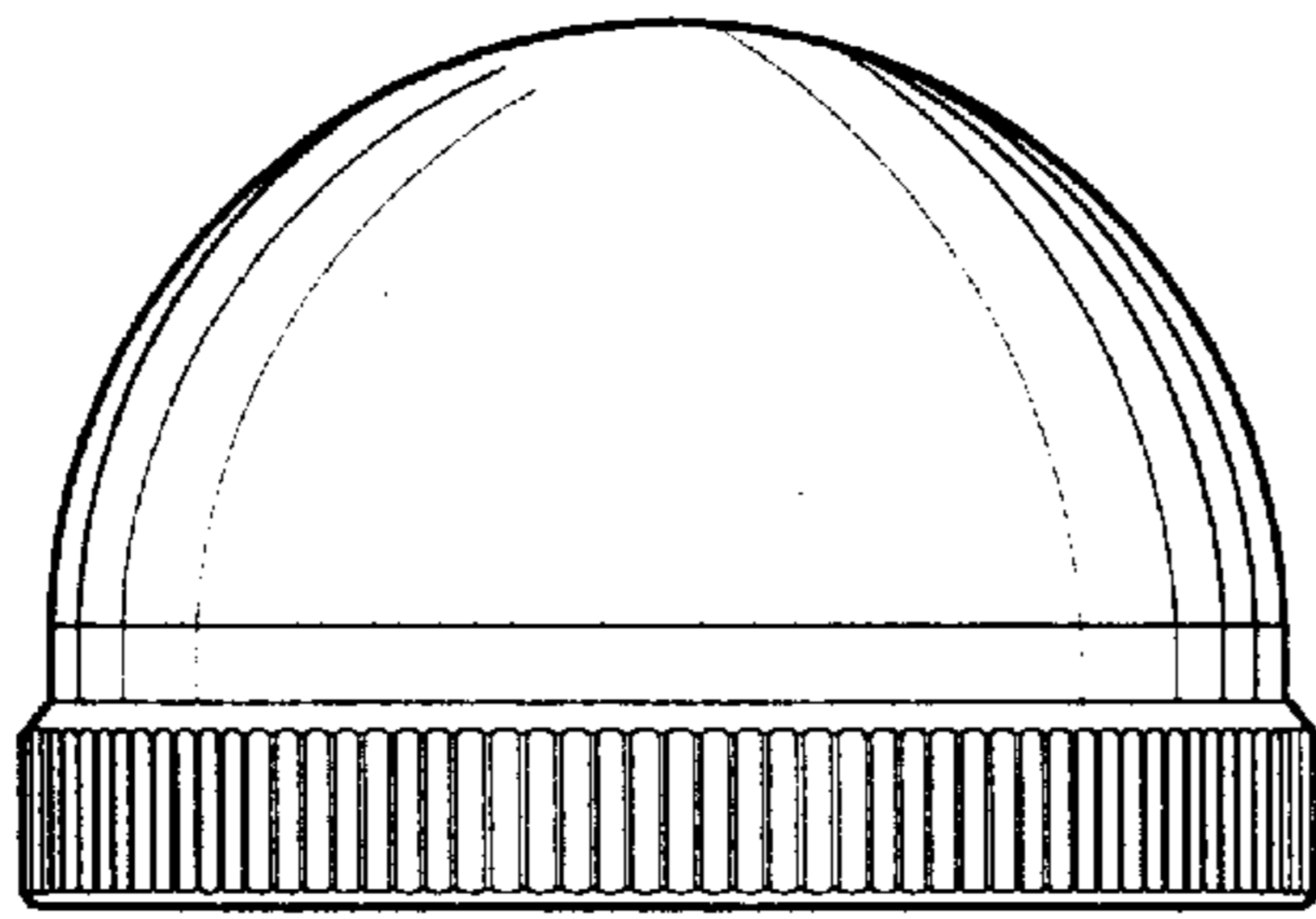


Fig-2

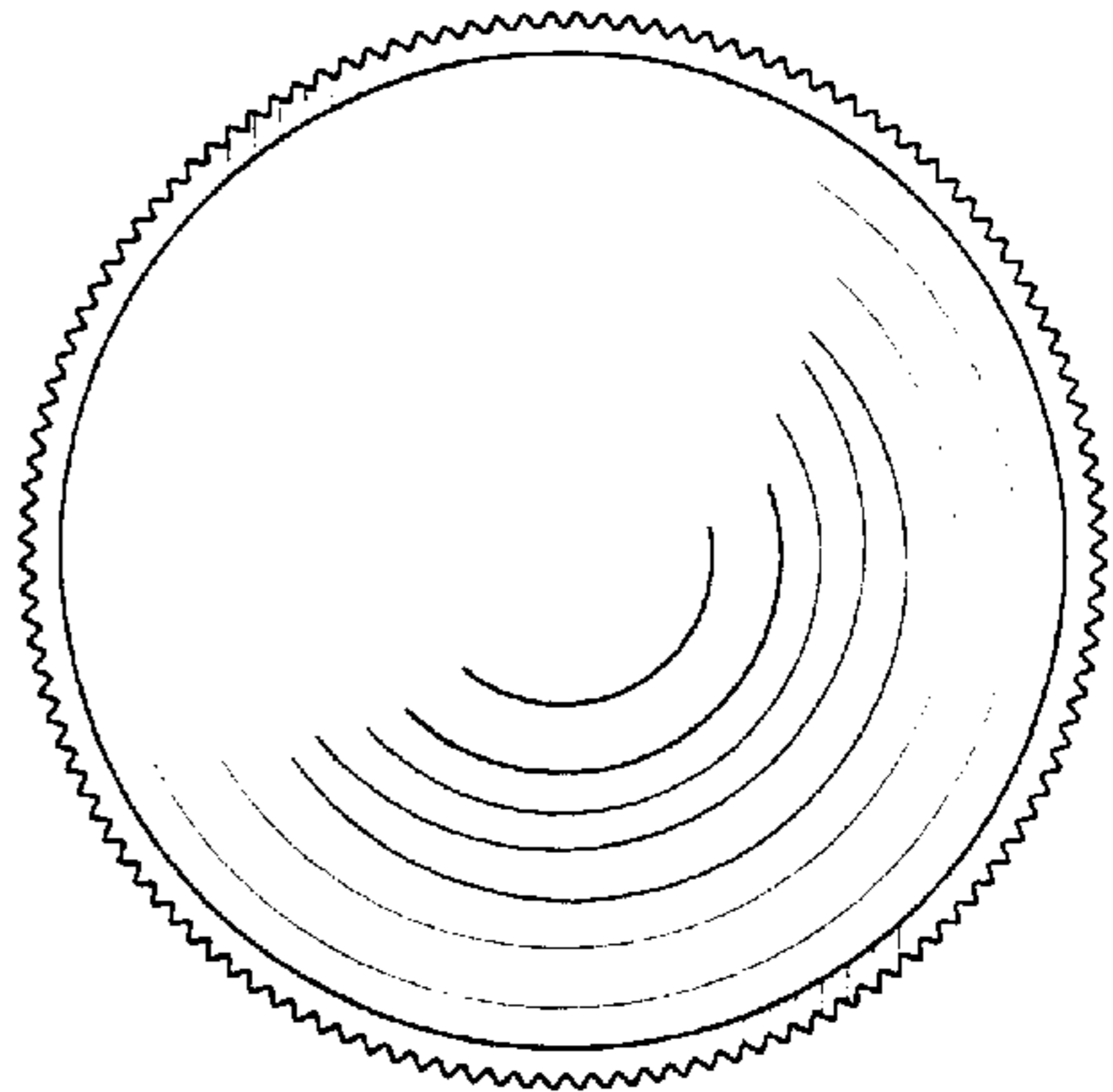


Fig-3

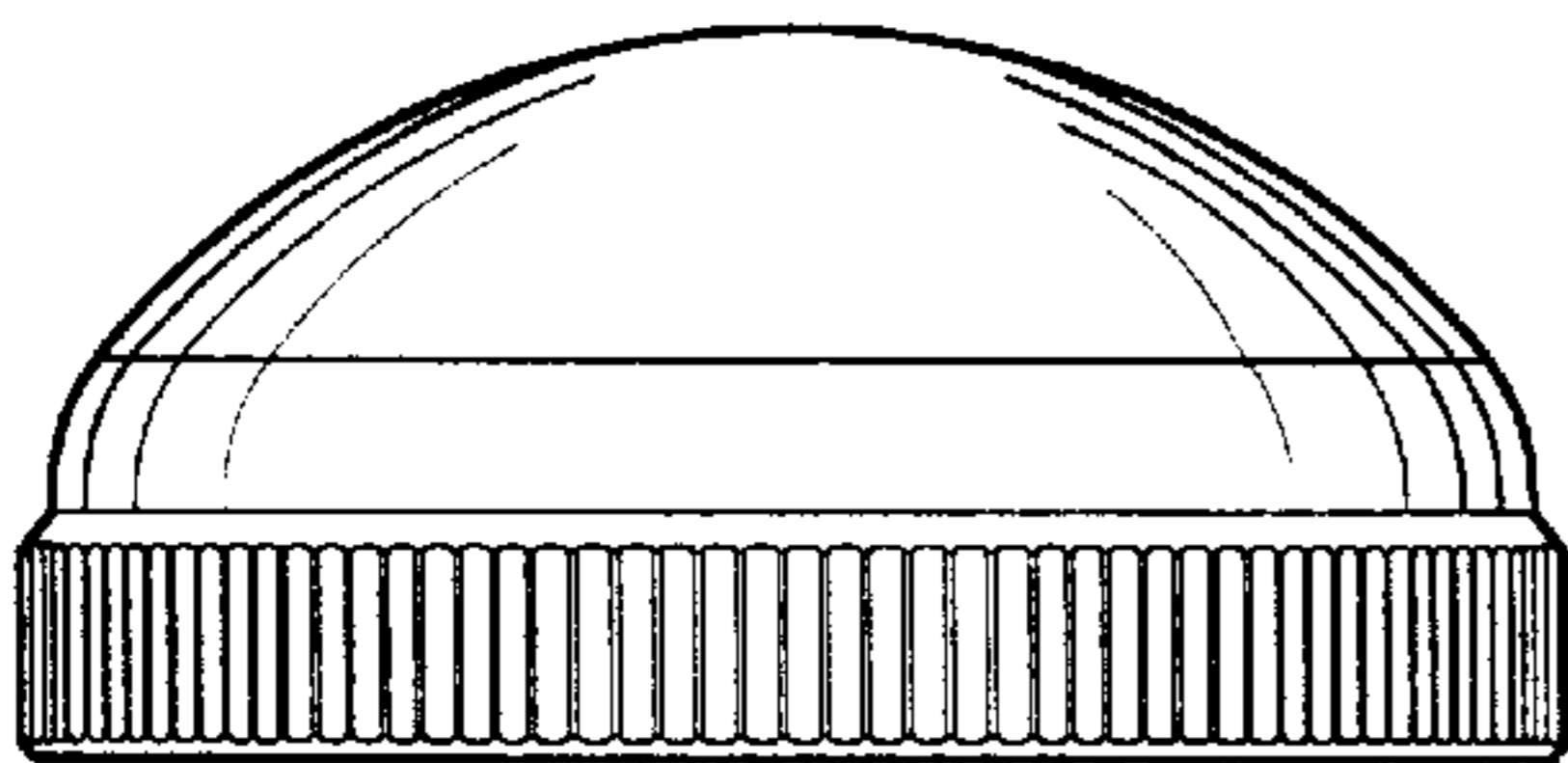


Fig-4

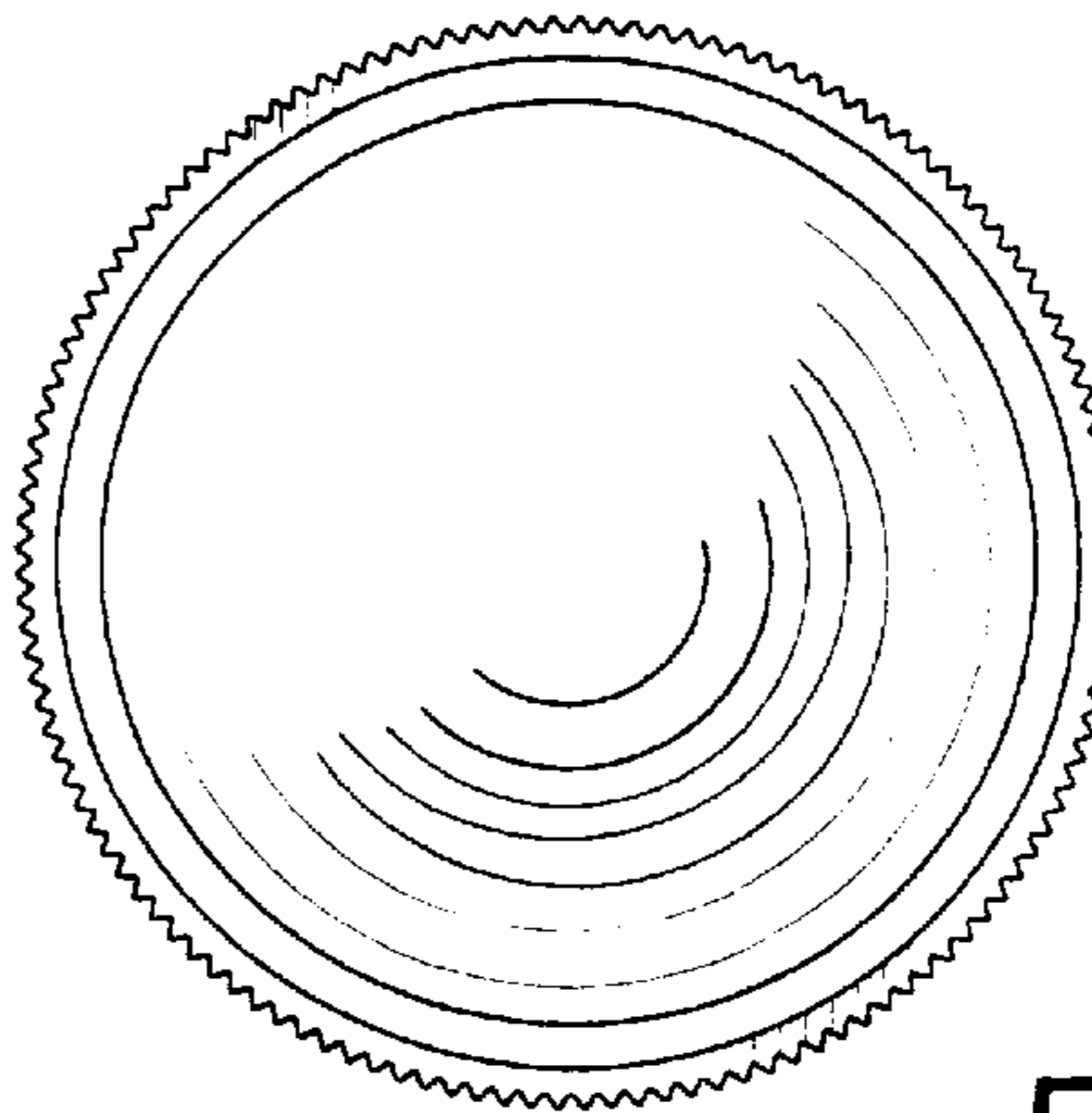


Fig-5