



US00D398959S

# United States Patent [19]

Lord

[11] **Patent Number: Des. 398,959**

[45] **Date of Patent: \*\*Sep. 29, 1998**

[54] **TWO HANDLE FAUCET SPOUT CAP**

[75] Inventor: **Judd A. Lord**, Carmel, Ind.

[73] Assignee: **Masco Corporation of Indiana**, Indianapolis, Ind.

[\*\*] Term: **14 Years**

[21] Appl. No.: **75,754**

[22] Filed: **Aug. 22, 1997**

[51] **LOC (6) Cl. .... 23-01**

[52] **U.S. Cl. .... D23/249; D23/260; D23/255**

[58] **Field of Search** ..... D23/260, 261, D23/237-243, 250-257; 4/675-678; D8/397, 399, 394; 220/724, 726; 137/377, 382, 381, 382.5, 375; 138/89.1, 89, 89.2, 89.3, 96 R, 96 T; 16/121

[56] **References Cited**

**U.S. PATENT DOCUMENTS**

|            |         |         |       |         |
|------------|---------|---------|-------|---------|
| D. 148,252 | 12/1947 | Rausch  | ..... | D23/250 |
| D. 170,468 | 9/1953  | Gries   | ..... | D8/397  |
| D. 269,696 | 7/1983  | Niemann | ..... | D23/250 |
| D. 288,902 | 3/1987  | Lewis   | ..... | D8/397  |

|            |         |                 |       |         |
|------------|---------|-----------------|-------|---------|
| D. 340,007 | 10/1993 | Gershenson      | ..... | D8/394  |
| D. 354,113 | 1/1995  | Nortier et al.  | ..... | D23/233 |
| D. 359,342 | 6/1995  | Doughty et al.  | ..... | D23/241 |
| D. 374,172 | 10/1996 | Frattarola      | ..... | D8/397  |
| D. 384,133 | 9/1997  | Doughty et al.  | ..... | D23/241 |
| 4,103,701  | 8/1978  | Jeng            | ..... | 137/375 |
| 4,593,430  | 6/1986  | Spangler et al. | ..... | 16/121  |

*Primary Examiner*—Louis S. Zarfes  
*Assistant Examiner*—Eric Watterson  
*Attorney, Agent, or Firm*—Myron B. Kapustij; Malcolm J. Sutherland

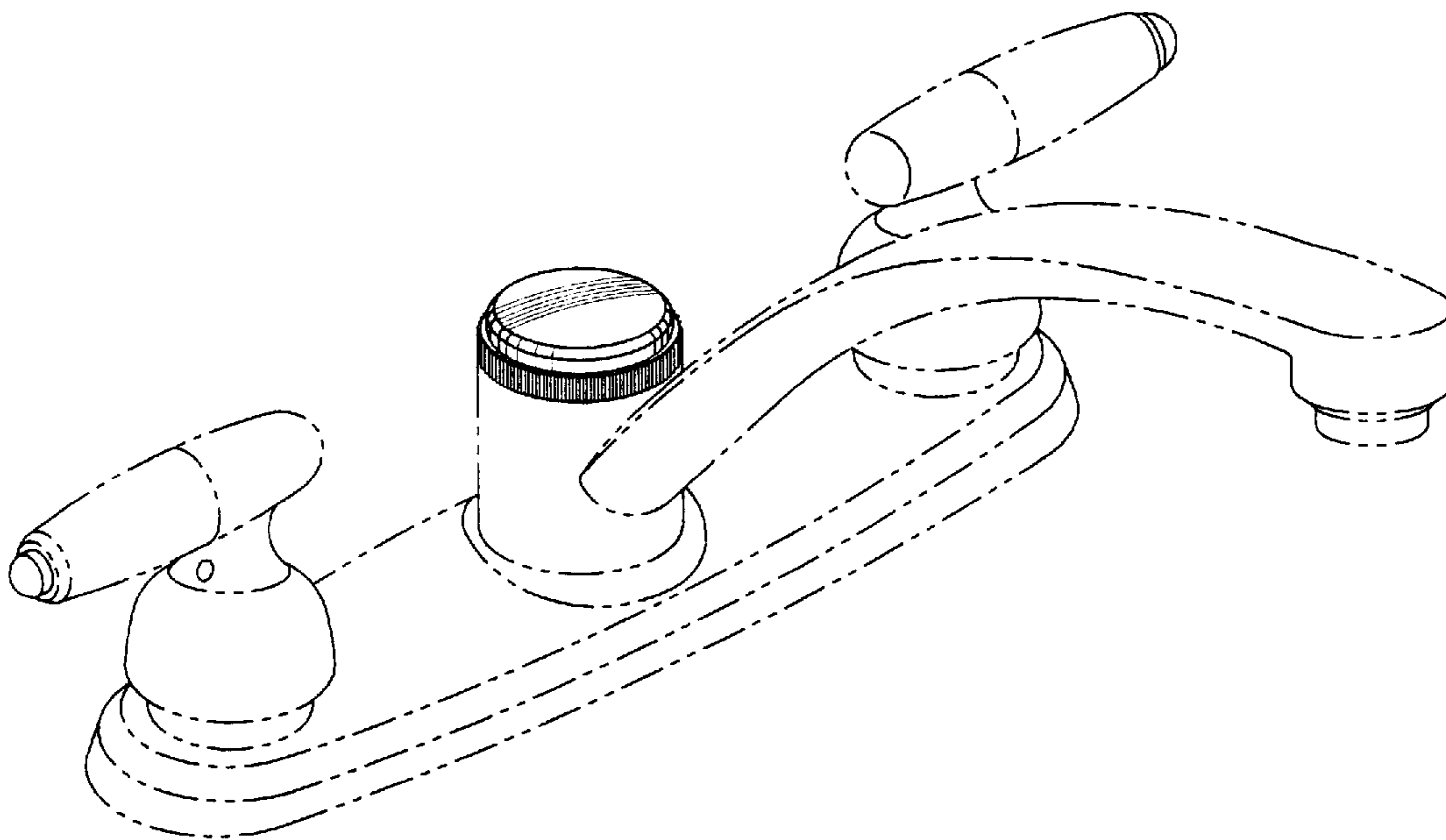
[57] **CLAIM**

The ornamental design for a two handle faucet spout cap, as shown and described.

**DESCRIPTION**

FIG. 1 is a top perspective view of a two handle faucet spout cap showing my new design; FIG. 2 is an elevational view thereof; and, FIG. 3 is a top plan view thereof. The broken line showing of the faucet and handles in FIG. 1 is for purposes of illustration only and forms no part of the claimed design.

**1 Claim, 1 Drawing Sheet**



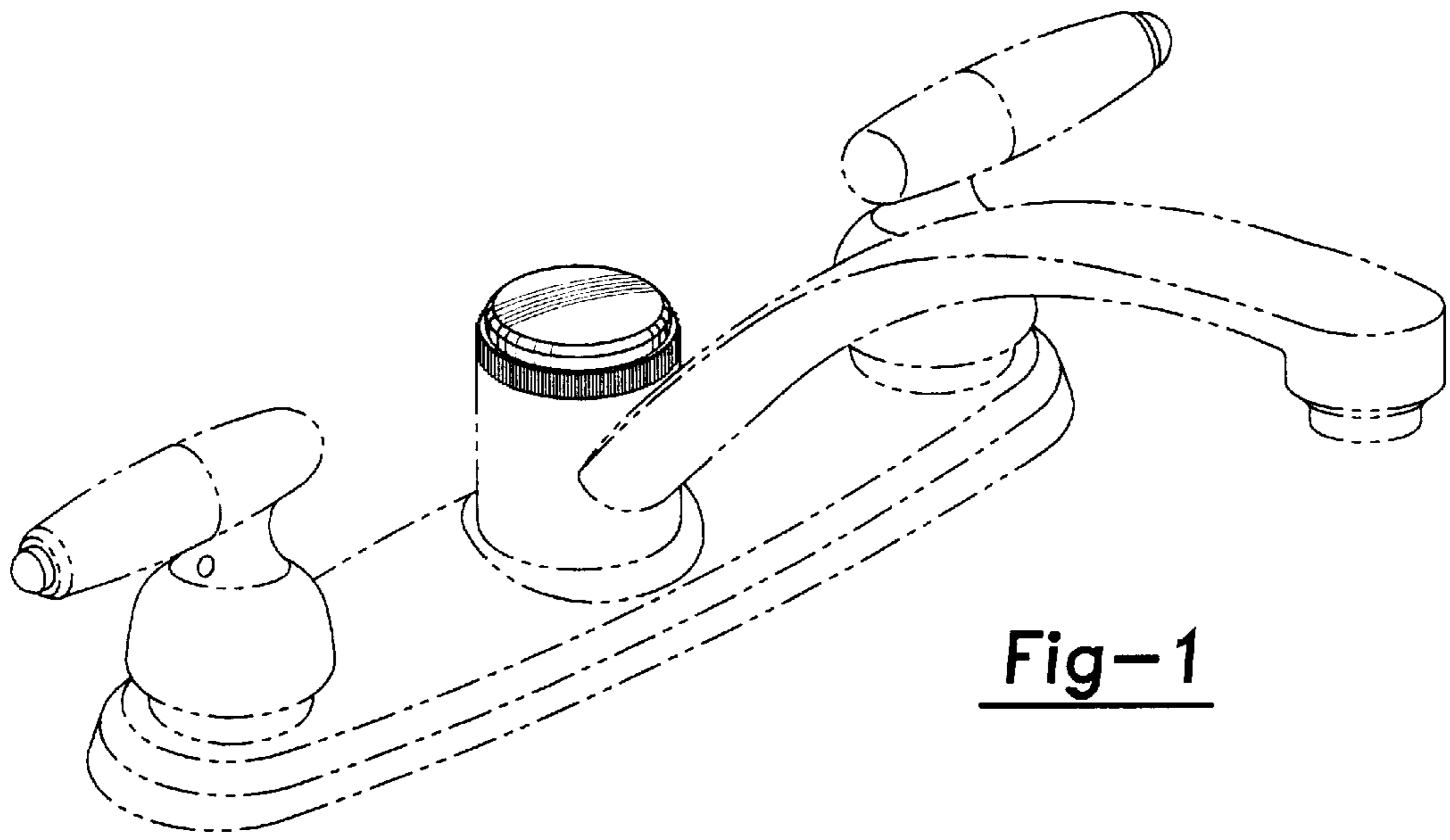


Fig-1

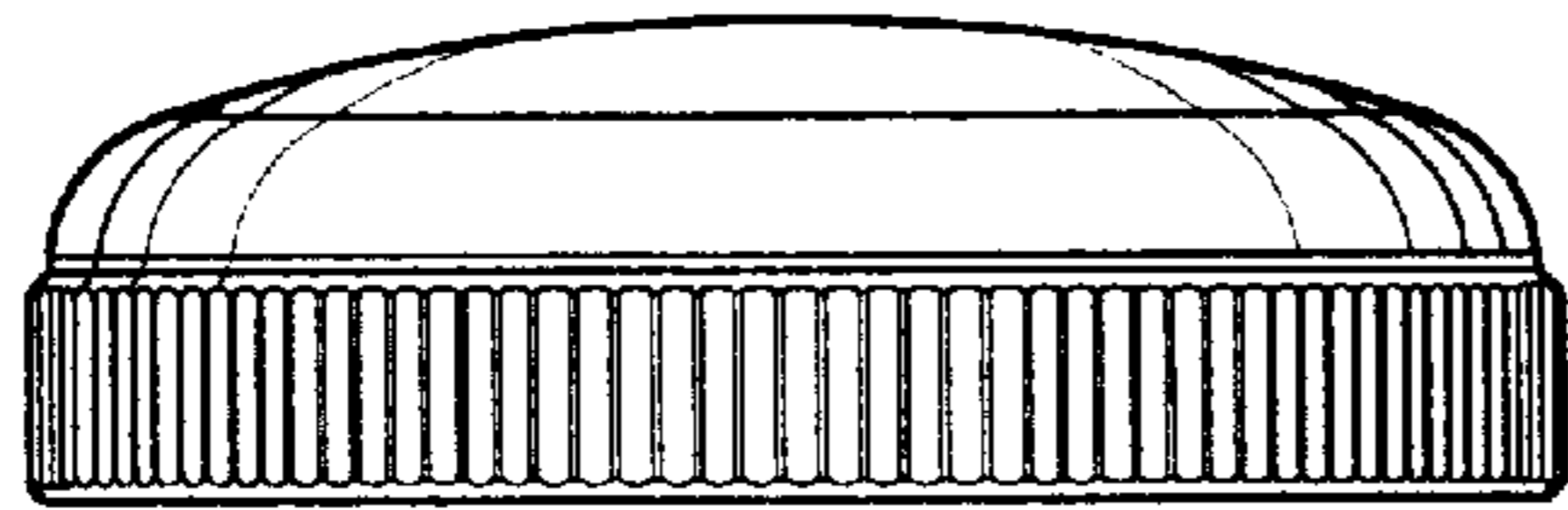


Fig-2

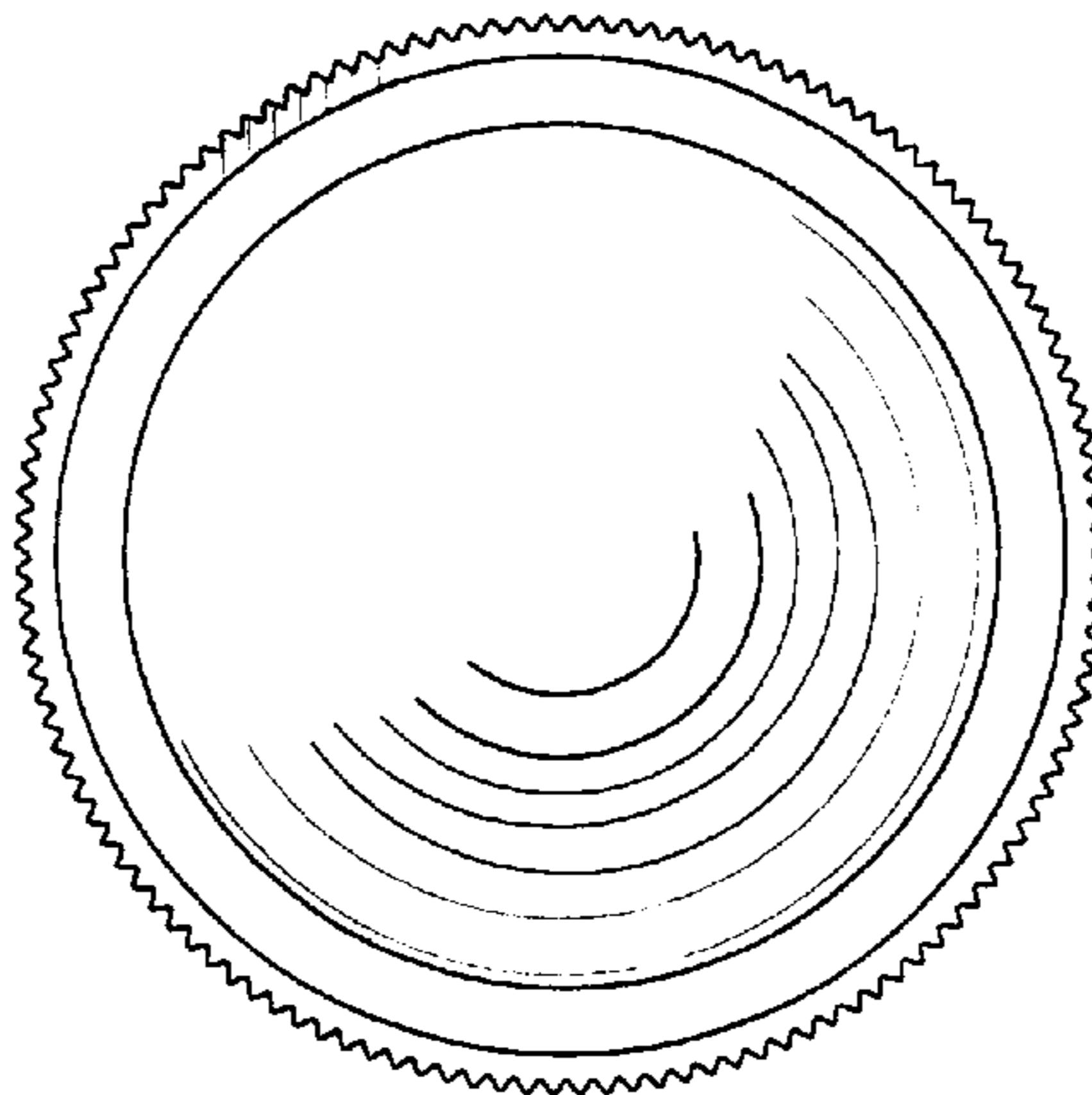


Fig-3