



US00D398958S

United States Patent [19]
Lobermeier

[11] **Patent Number: Des. 398,958**

[45] **Date of Patent: **Sep. 29, 1998**

[54] **BIDET FAUCET**

[75] Inventor: **Hans Lobermeier**, Menden, Germany

[73] Assignee: **Friedrich Grohe AG**, Hemer, Germany

[**] Term: **14 Years**

[21] Appl. No.: **70,655**

[22] Filed: **May 13, 1997**

[30] **Foreign Application Priority Data**

Nov. 19, 1996 [DE] Germany M 96 09 977.1

[51] **LOC (6) Cl.** **23-01**

[52] **U.S. Cl.** **D23/241**

[58] **Field of Search** D23/238-243,
D23/250-257; 137/801; 4/675-678

[56] **References Cited**

U.S. PATENT DOCUMENTS

D. 318,320 7/1991 Zerlia D23/241

- D. 339,410 9/1993 Gottwald D23/241
- D. 339,629 9/1993 Gottwald D23/241
- D. 339,848 9/1993 Gottwald D23/241
- D. 353,187 12/1994 Formgren D23/241

Primary Examiner—Doris V. Coles
Assistant Examiner—Eric Watterson
Attorney, Agent, or Firm—Herbert Dubno

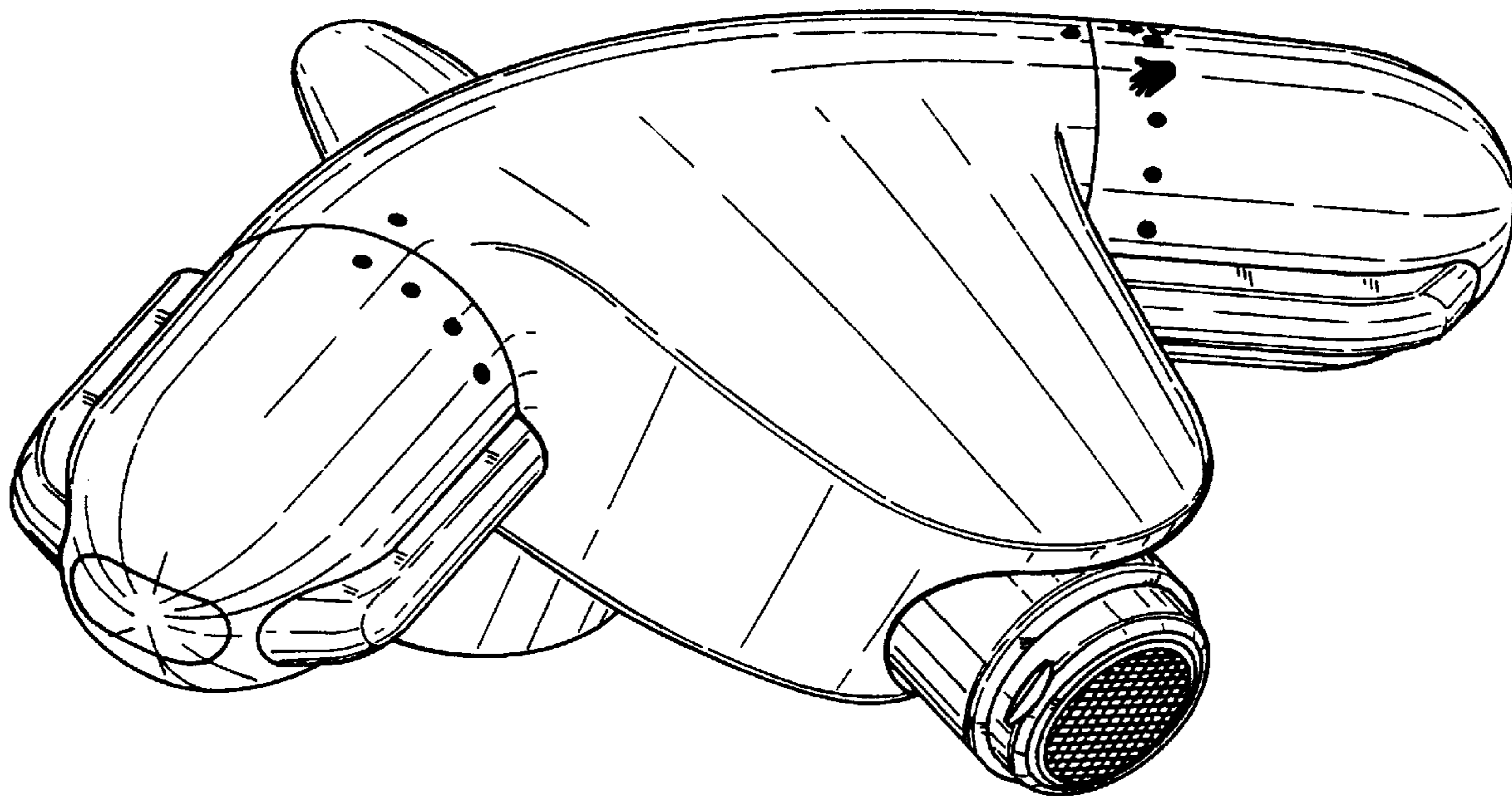
[57] **CLAIM**

The ornamental design for a bidet faucet, as shown.

DESCRIPTION

FIG. 1 is a top, front, left-side perspective view of a bidet faucet showing my new design;
FIG. 2 is a left side elevational view thereof, the right side being mirror symmetrical thereto;
FIG. 3 is a top view thereof;
FIG. 4 is a front view thereof;
FIG. 5 is a rear elevational view thereof; and,
FIG. 6 is a bottom view thereof.

1 Claim, 3 Drawing Sheets



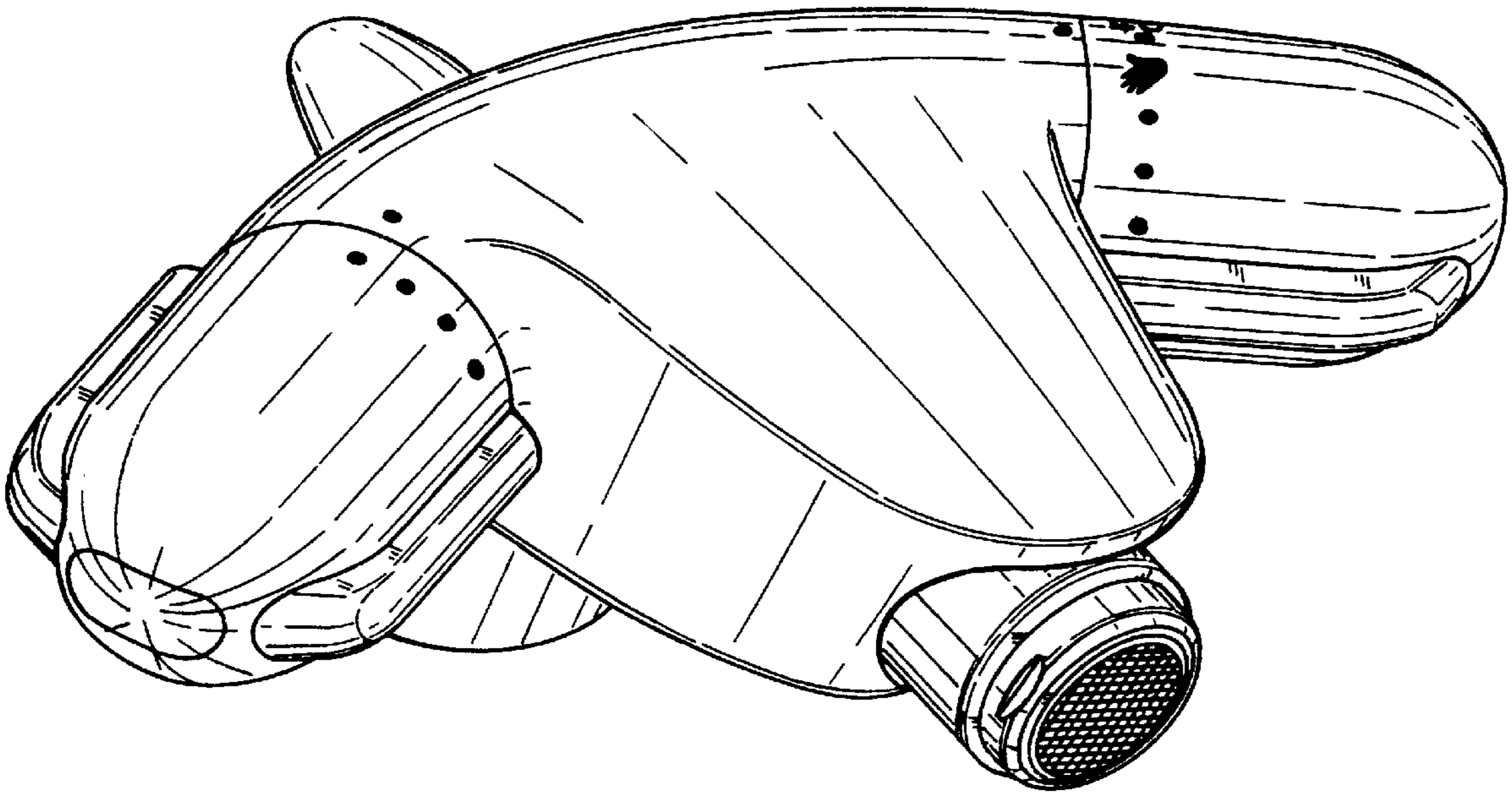


FIG. 1

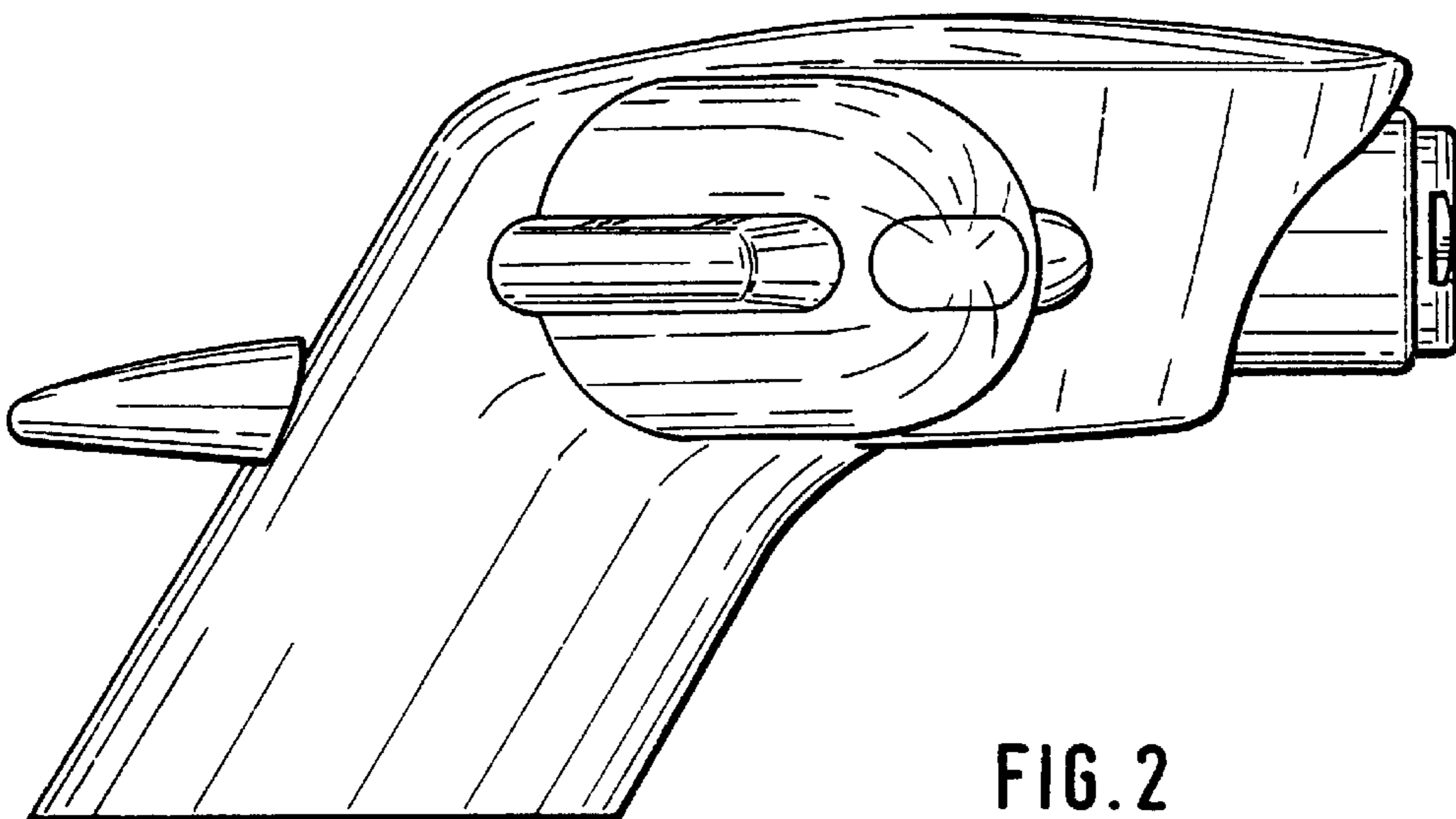


FIG. 2

FIG. 3

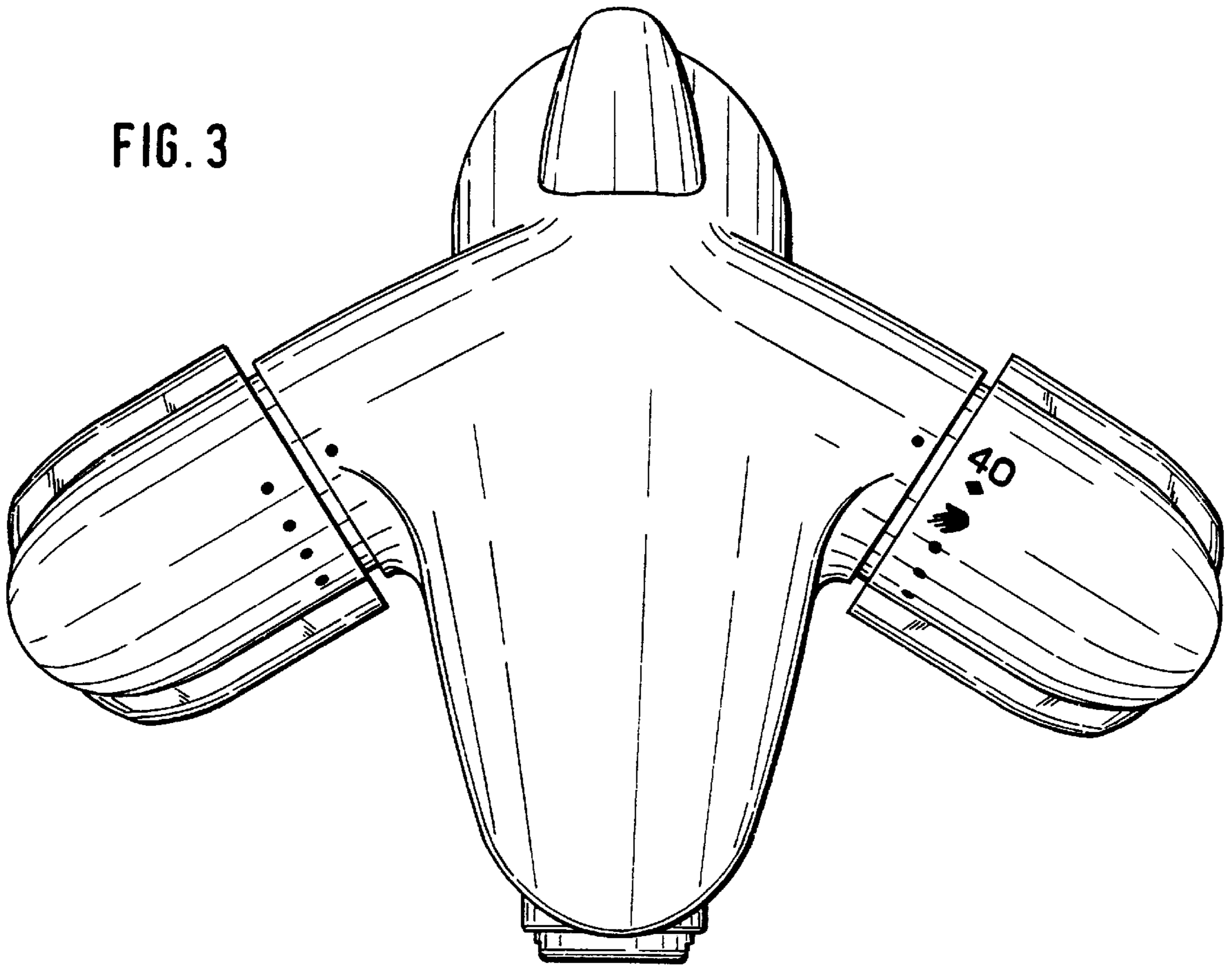
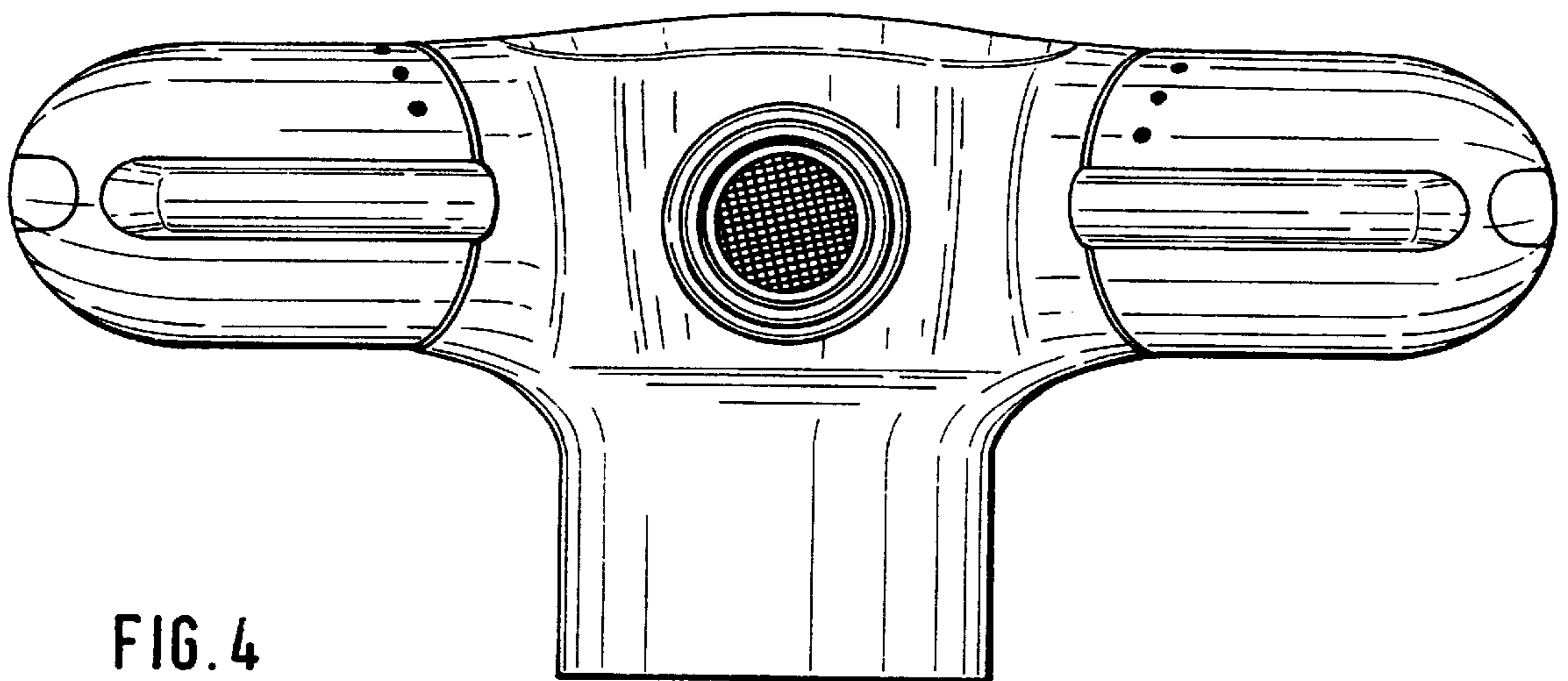


FIG. 4



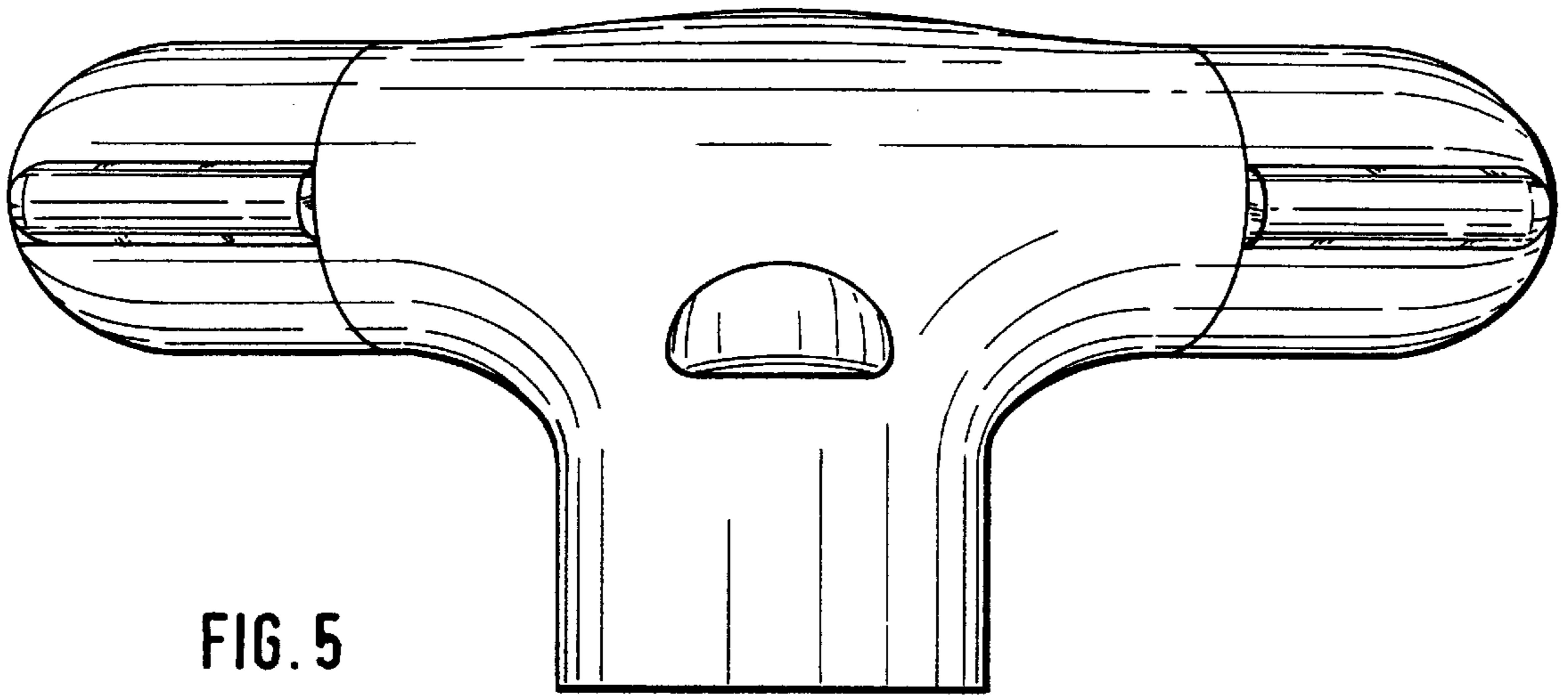


FIG. 5

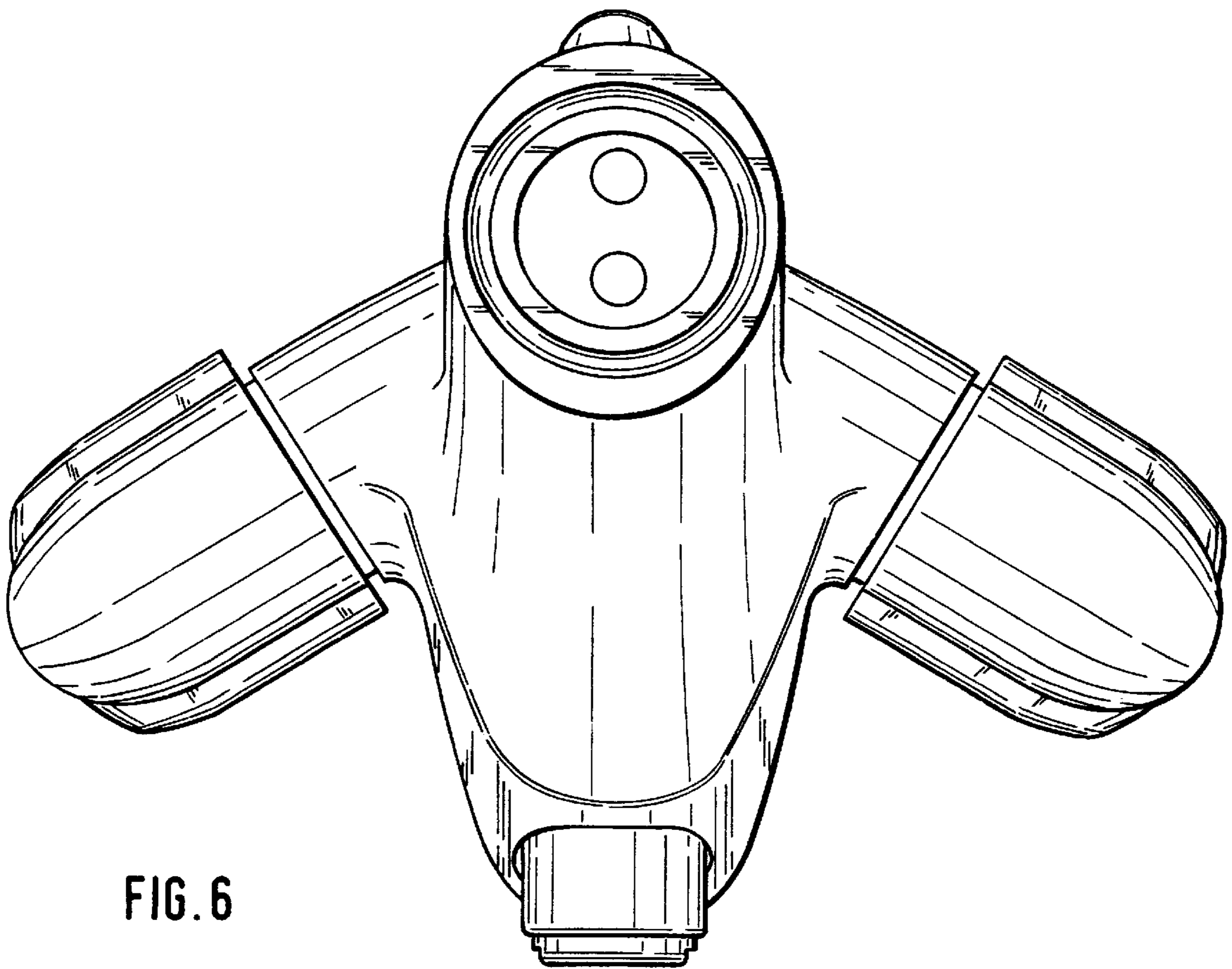


FIG. 6