



US00D398957S

# United States Patent [19]

Doughty et al.

[11] Patent Number: **Des. 398,957**

[45] Date of Patent: **\*\*\*Sep. 29, 1998**

[54] FAUCET BODY AND SPOUT

[75] Inventors: **Frederic C. Doughty**, South Pasadena;  
**Darren M. Mark**, Valencia; **Alvin Tolosa**, Ventura, all of Calif.

[73] Assignee: **Emhart Inc.**, Newark, Del.

[\*] Notice: The term of this patent shall not extend beyond the expiration date of Pat. No. Des. 393,696.

[\*\*] Term: **14 Years**

[21] Appl. No.: **80,169**

[22] Filed: **Dec. 2, 1997**

[51] LOC (6) Cl. .... **23-01**

[52] U.S. Cl. .... **D23/238**

[58] Field of Search ..... D23/238-243,  
D23/250-257; 4/675-678; 137/801

### [56] References Cited

#### U.S. PATENT DOCUMENTS

|            |         |                     |         |
|------------|---------|---------------------|---------|
| D. 358,869 | 5/1995  | Mark et al. ....    | D23/238 |
| D. 360,931 | 8/1995  | Mark et al. ....    | D23/238 |
| D. 367,698 | 3/1996  | Haug et al. ....    | D23/238 |
| D. 379,848 | 6/1997  | Doughty et al. .... | D23/255 |
| D. 387,131 | 12/1997 | Short et al. ....   | D23/238 |
| 4,107,046  | 8/1978  | Corder .            |         |
| 5,083,589  | 1/1992  | Wilcock .           |         |
| 5,107,896  | 4/1992  | Otto .              |         |

5,139,050 8/1992 Otto .  
5,279,329 1/1994 Pippel .  
5,634,220 6/1997 Chiu .

*Primary Examiner*—Louis S. Zarfes  
*Assistant Examiner*—Eric Watterson  
*Attorney, Agent, or Firm*—Harold Weinstein

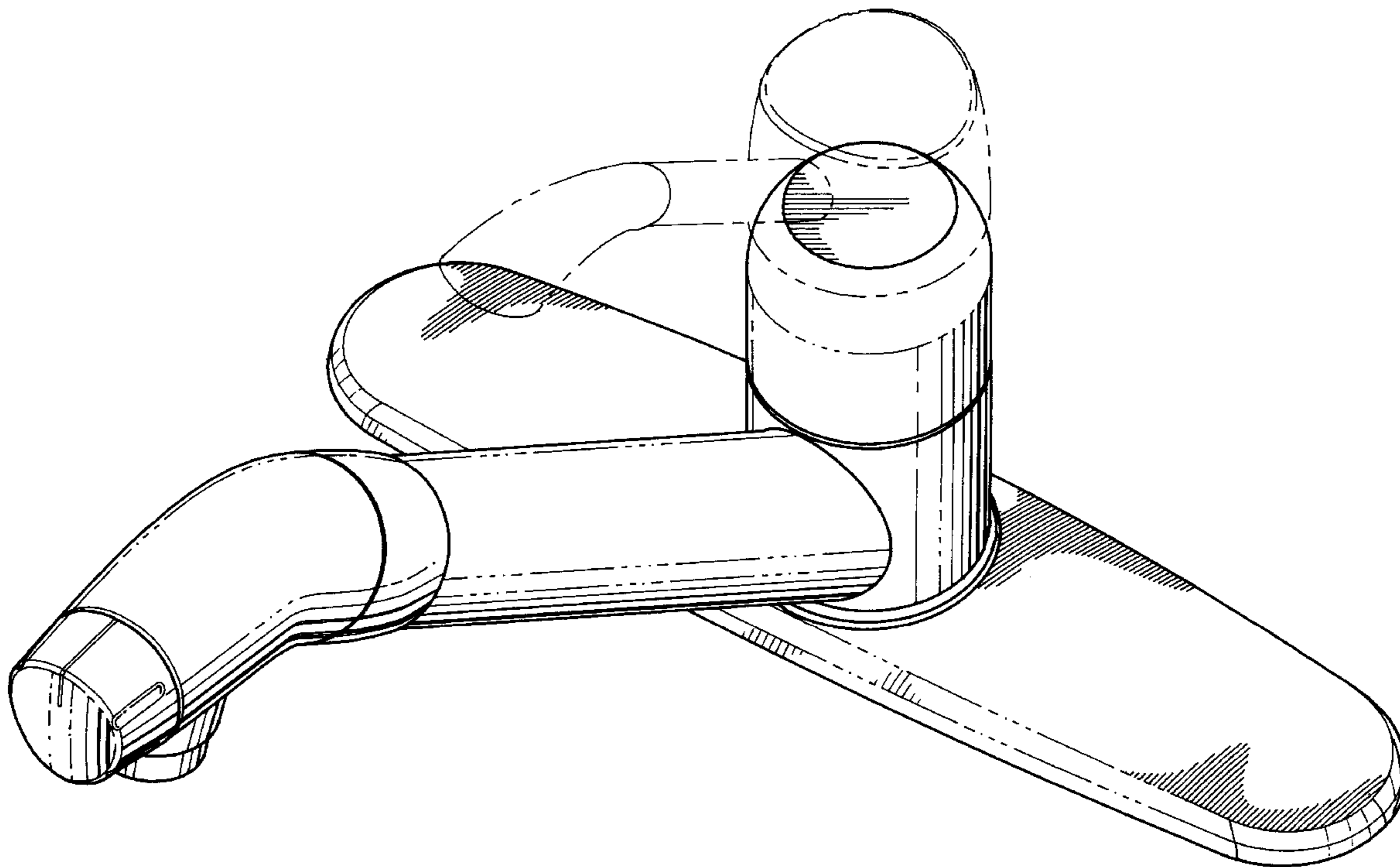
### [57] CLAIM

The ornamental design for faucet body and spout, as shown and described.

### DESCRIPTION

FIG. 1 is a perspective view our new design of the faucet body and spout;  
FIG. 2 is a front elevational view of our new design of the faucet body and spout;  
FIG. 3 is a rear elevational view of our new design of the faucet body and spout;  
FIG. 4 is a right elevational view of our new design of the faucet body and spout;  
FIG. 5 is a left elevational view of our new design of the faucet body and spout;  
FIG. 6 is a top plan view of our new design of the faucet body and spout; and,  
FIG. 7 is a bottom plan view of our new design of the faucet body and spout.  
The broken line representation in of a faucet handle shown in FIG. 1 is for illustrative purposes only and forms no part of the claiemd design.

**1 Claim, 7 Drawing Sheets**



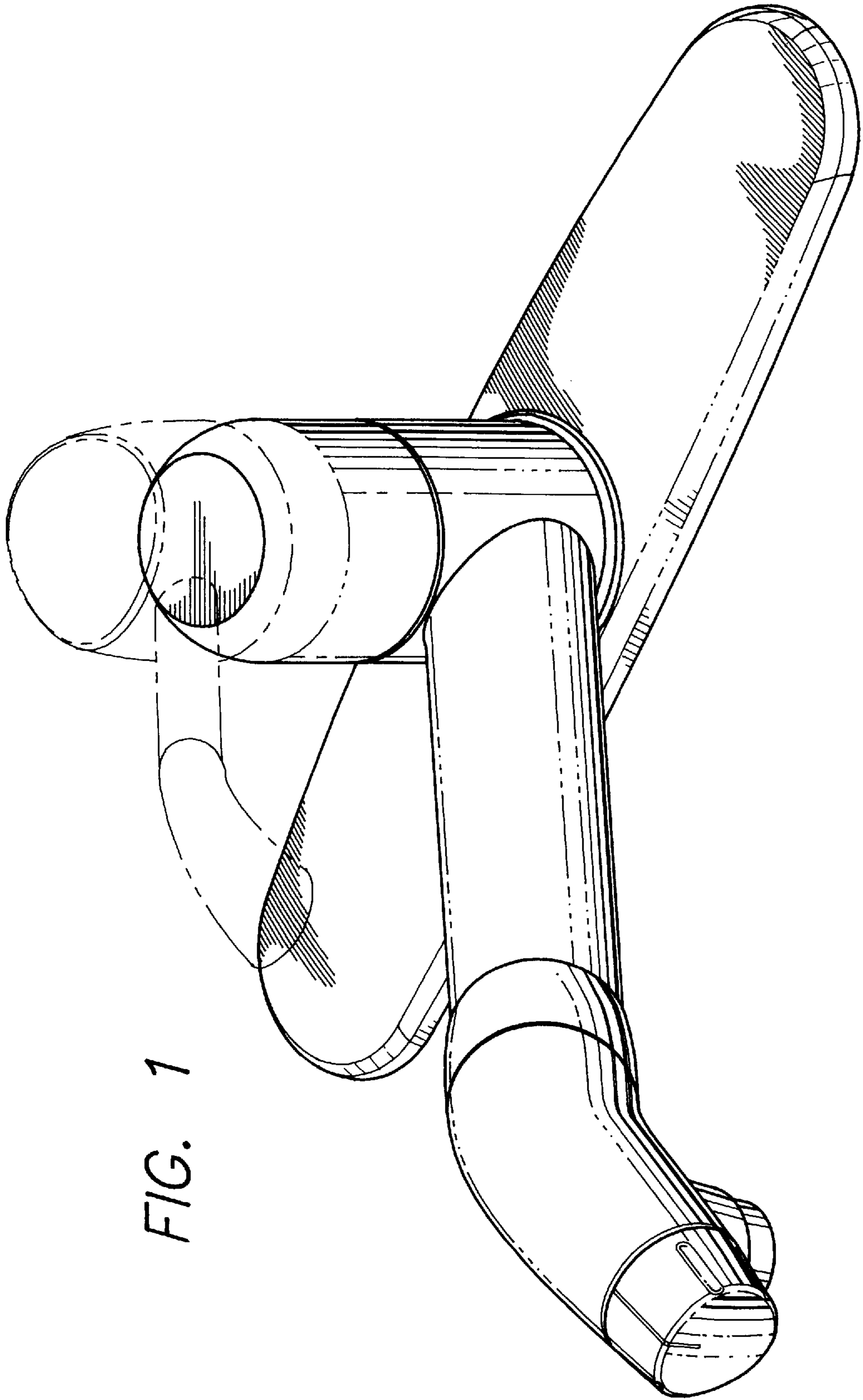


FIG. 1

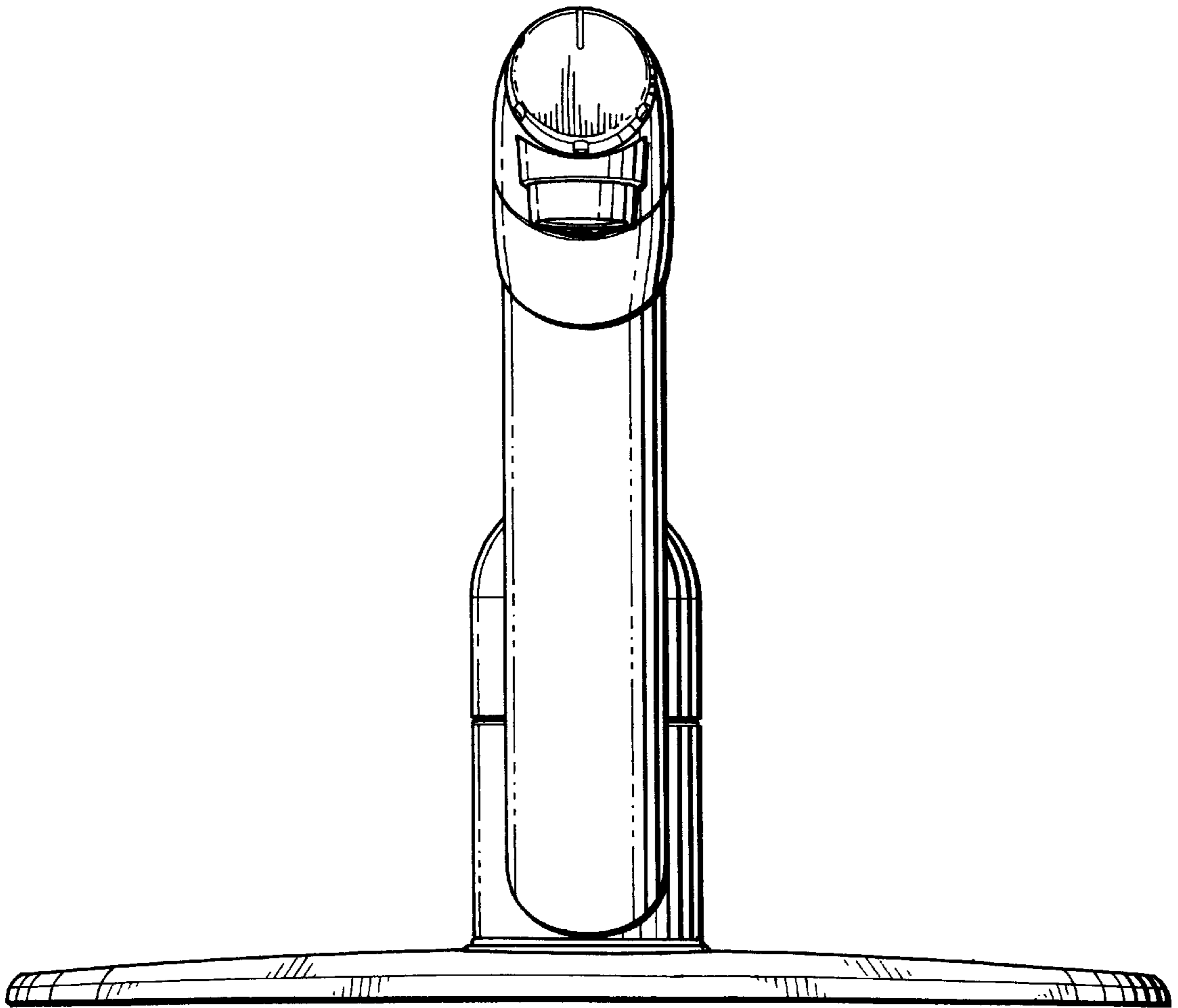


FIG. 2

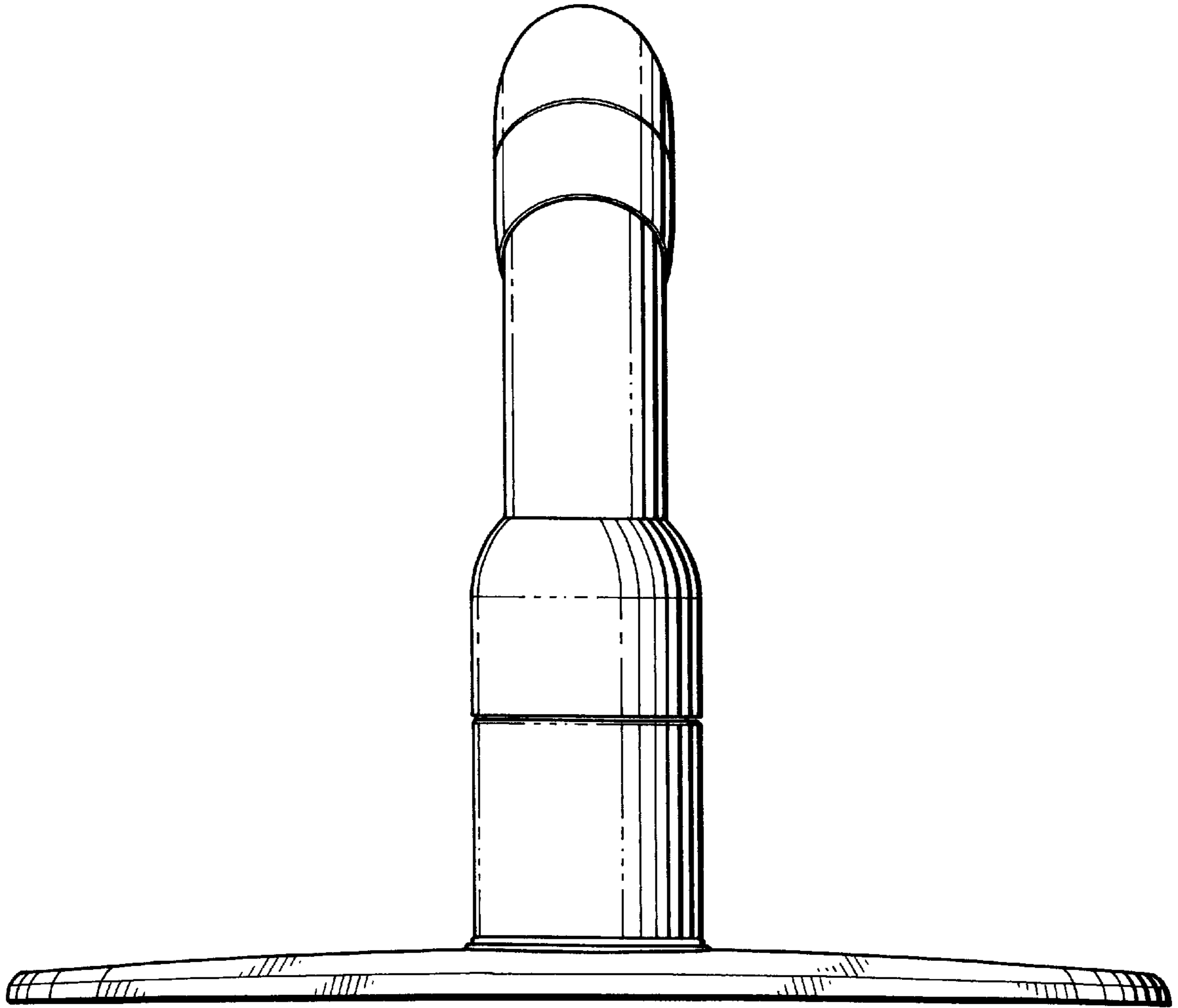


FIG. 3

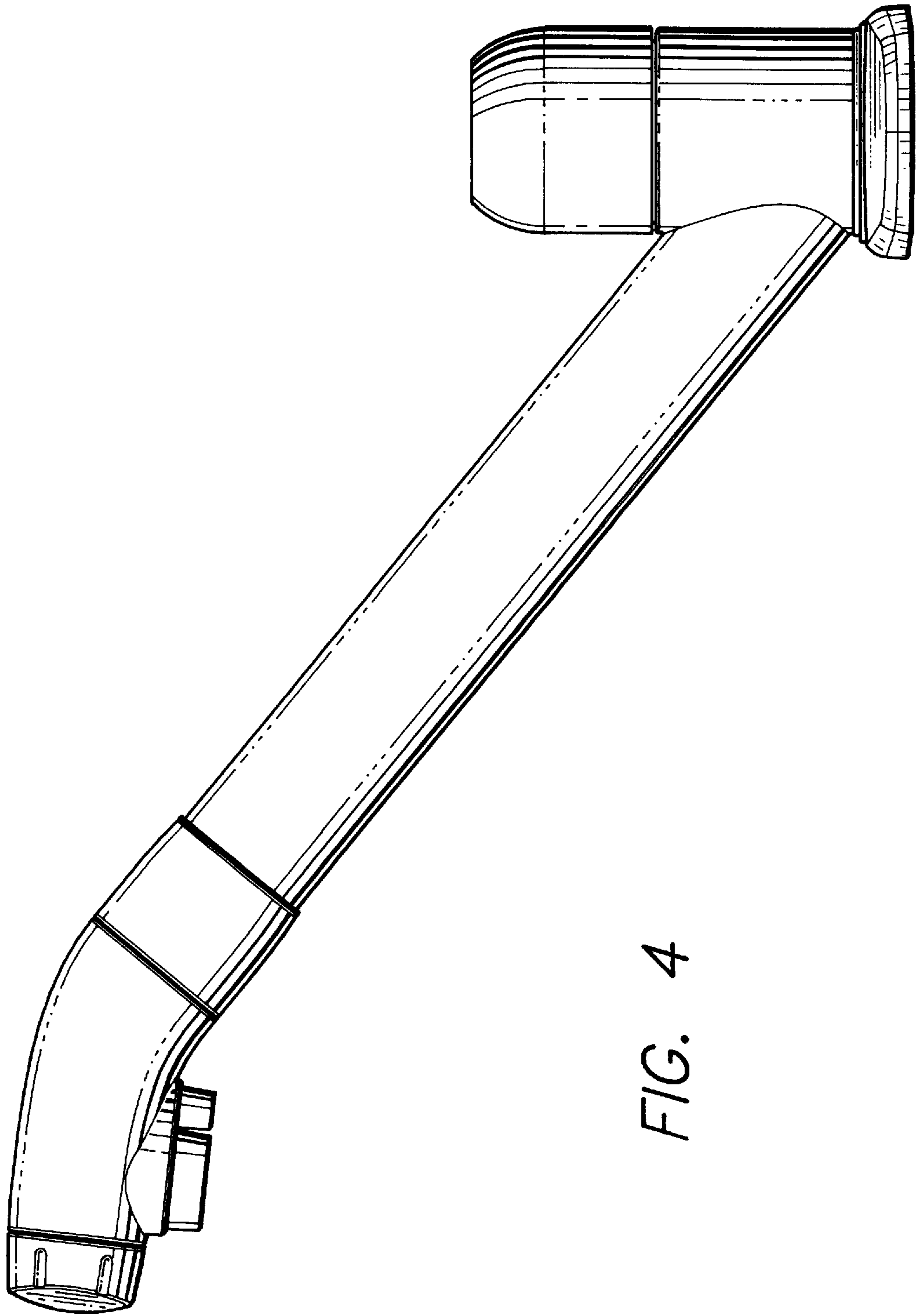


FIG. 4

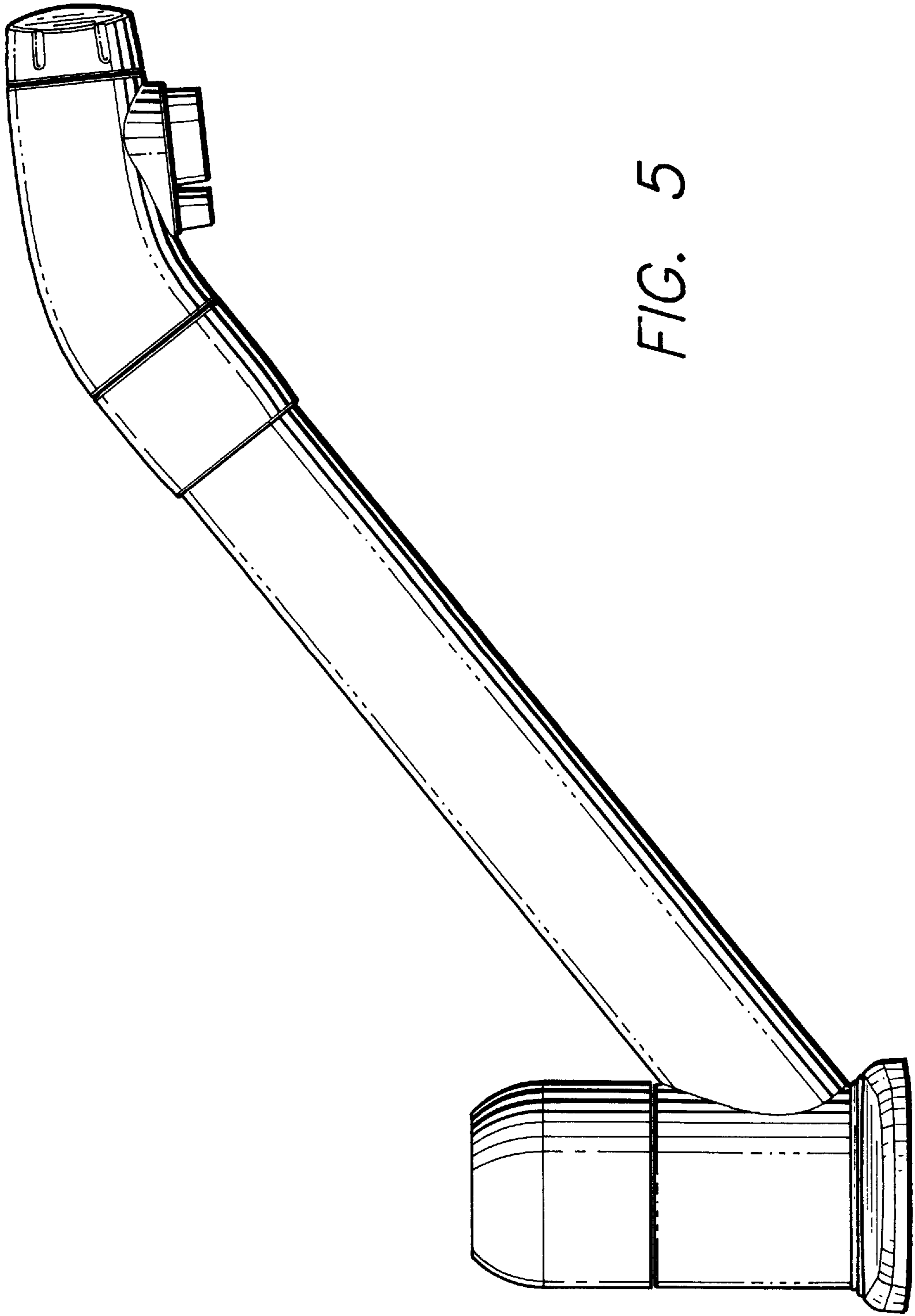


FIG. 5

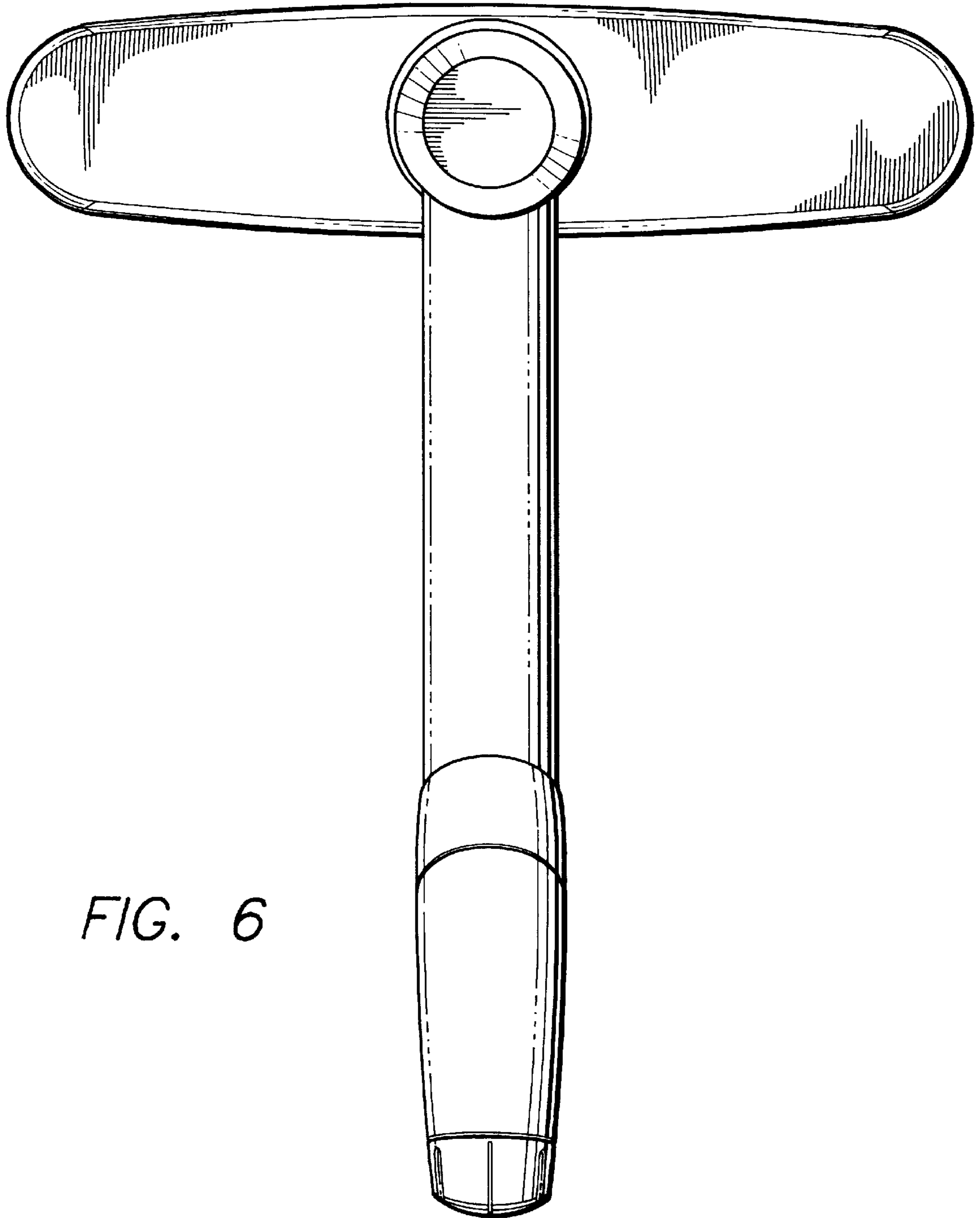


FIG. 6

FIG. 7

