



US00D398956S

# United States Patent [19] Kergoet

[11] **Patent Number: Des. 398,956**

[45] **Date of Patent: \*\*Sep. 29, 1998**

[54] **FAUCET**

[75] **Inventor: Francois Kergoet, Malakoff, France**

[73] **Assignee: Jacob Delafon, Paris, France**

[\*\*] **Term: 14 Years**

[21] **Appl. No.: 45,956**

[22] **Filed: Nov. 3, 1995**

[51] **LOC (6) Cl. .... 23-01**

[52] **U.S. Cl. .... D23/238**

[58] **Field of Search ..... D23/238-243,  
D23/250-257; 4/675-678; 137/801**

[56] **References Cited**

**U.S. PATENT DOCUMENTS**

D. 350,388	9/1994	Gottwald	.....	D23/238
D. 350,389	9/1994	Gottwald	.....	D23/238
D. 353,184	12/1994	Formgren	.....	D23/257
D. 355,706	2/1995	Chretien	.....	D23/238
D. 367,919	3/1996	Lobermeier	.....	D23/238
D. 368,301	3/1996	Lobermeier	.....	D23/238
D. 373,178	8/1996	Gottwald	.....	D23/238

**OTHER PUBLICATIONS**

Undated Ideal Standard catalog ad showing a "Ceramix Carat" faucet, admitted prior art.

Undated Jacob Delafon catalog ad, p. 163, showing an "Enduro Plus" faucet, admitted prior art.

Undated Jacob Delafon catalog ad, p. 162, showing "Biarritz" faucet, admitted prior art.

*Primary Examiner*—Louis S. Zarfes  
*Assistant Examiner*—Eric Watterson  
*Attorney, Agent, or Firm*—Quarles & Brady

[57] **CLAIM**

The ornamental design for a faucet, as shown and described.

**DESCRIPTION**

FIG. 1 is a right, top, front perspective view of a bidet faucet embodying my new design;

FIG. 2 is a left side elevational view thereof, the right side elevational view being a mirror image of the left side shown;

FIG. 3 is a front elevational view thereof;

FIG. 4 is a rear elevational view thereof;

FIG. 5 is a top plan view thereof;

FIG. 6 is a bottom plan view thereof;

FIG. 7 is a right, top, front perspective view of a second embodiment, the front elevational view and the bottom plan view of the second embodiment being essentially identical to those of the first embodiment;

FIG. 8 is a left side elevational view thereof, the right side elevational view being a mirror image of the left side shown;

FIG. 9 is a rear elevational view thereof; and,

FIG. 10 is a top plan view thereof.

The broken line representations of holes and mounting structures in FIG. 6 are for purposes of illustration only, and form no part of the claimed design.

**1 Claim, 4 Drawing Sheets**

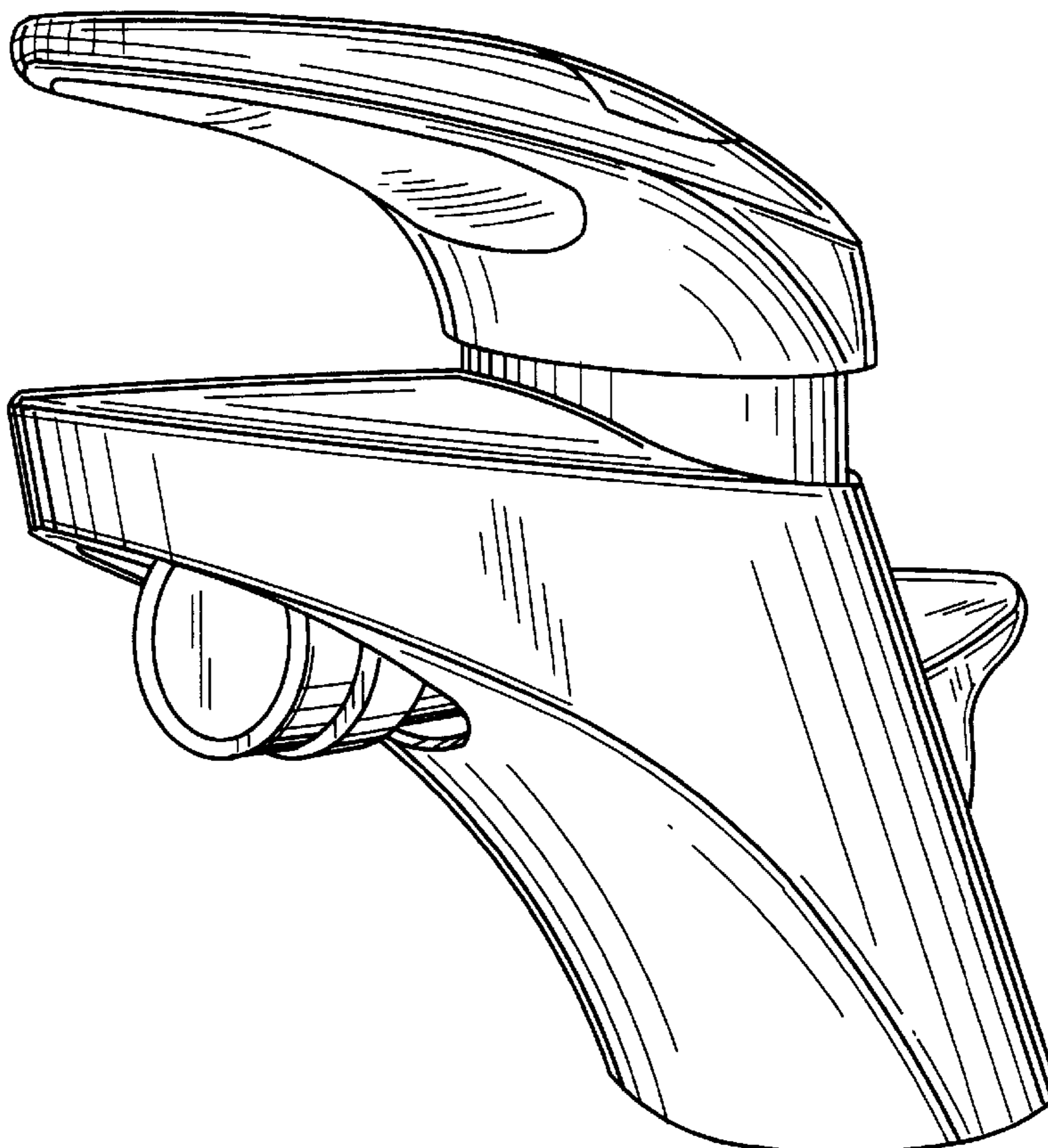


FIG. 1

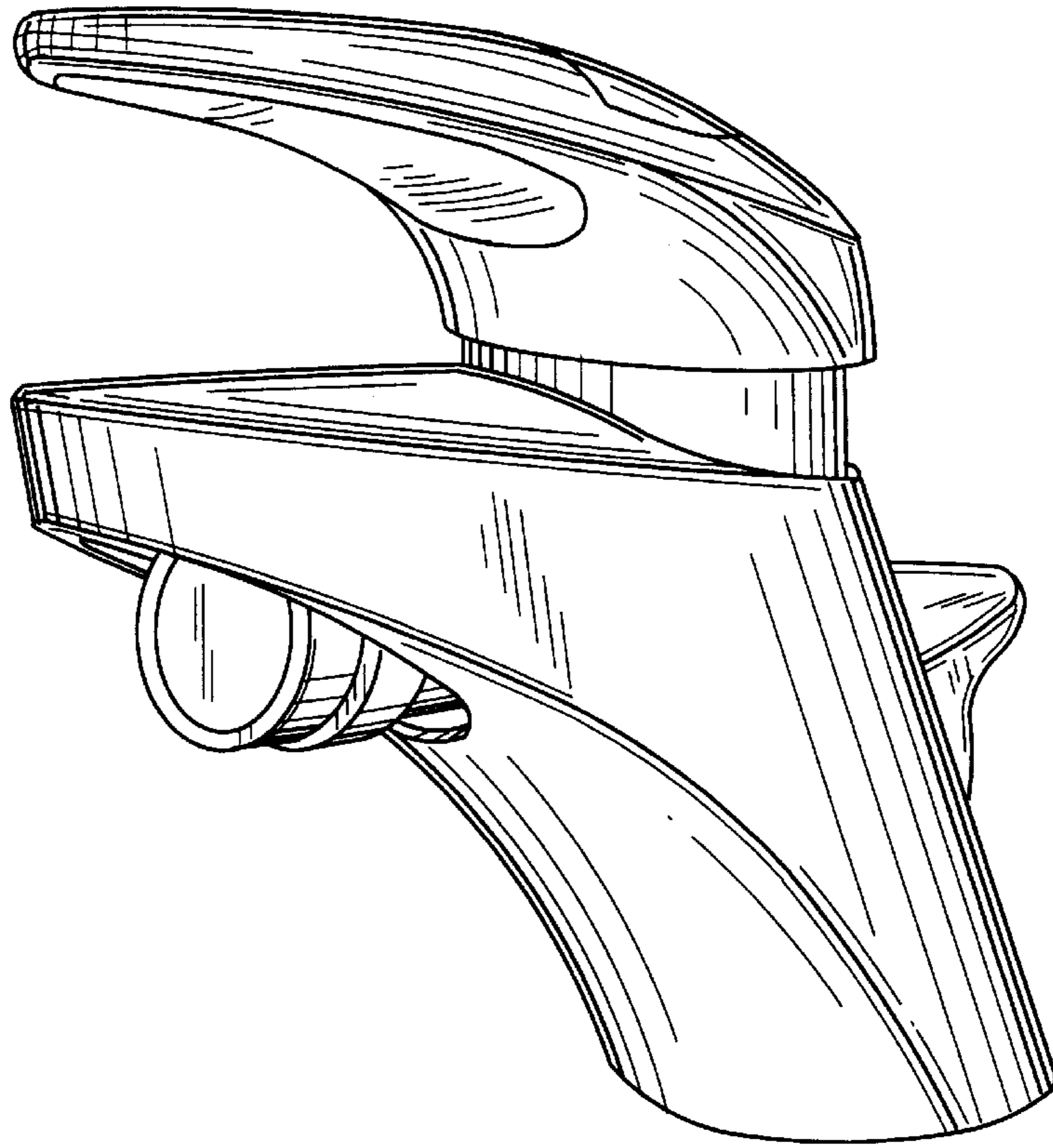
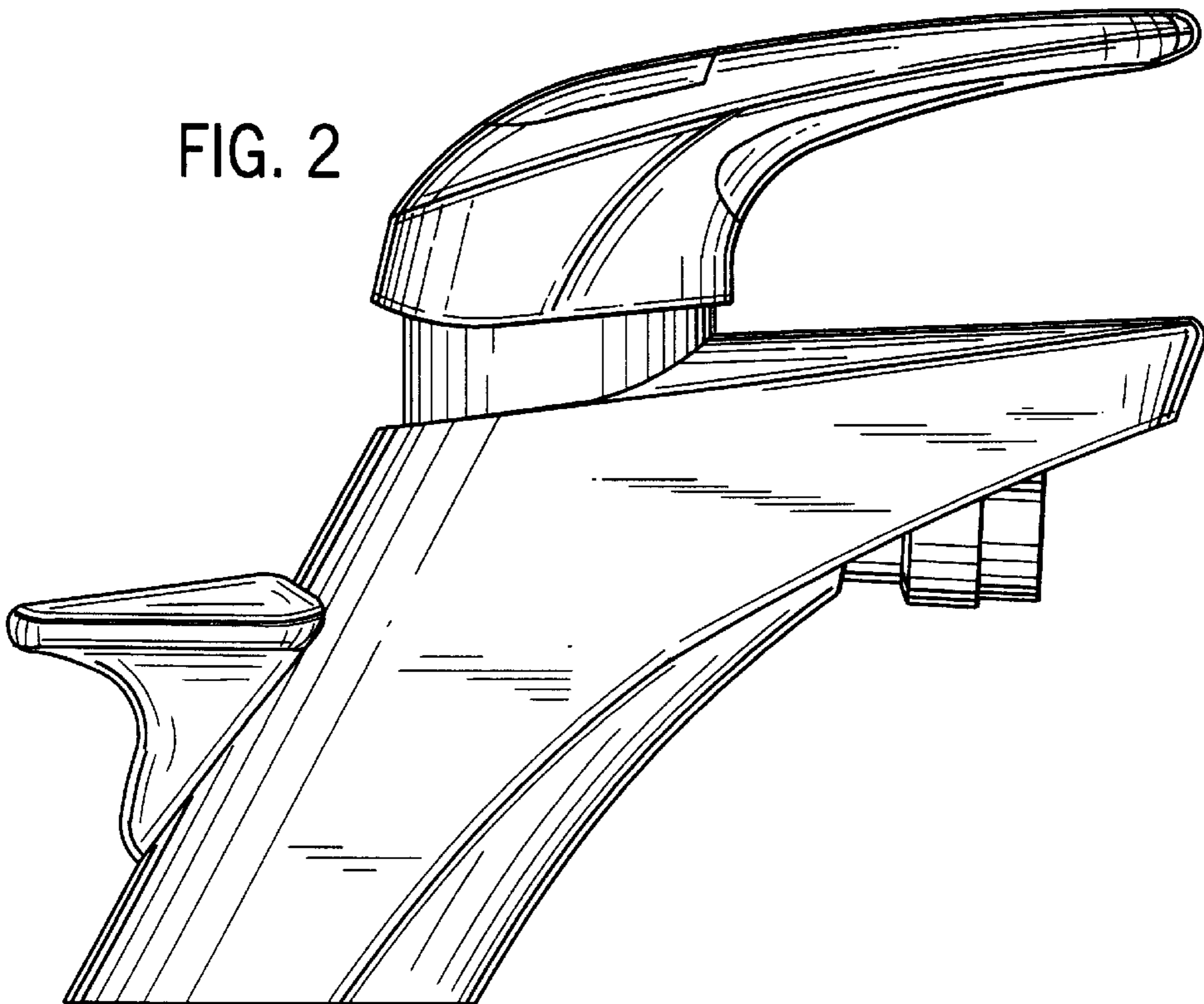


FIG. 2



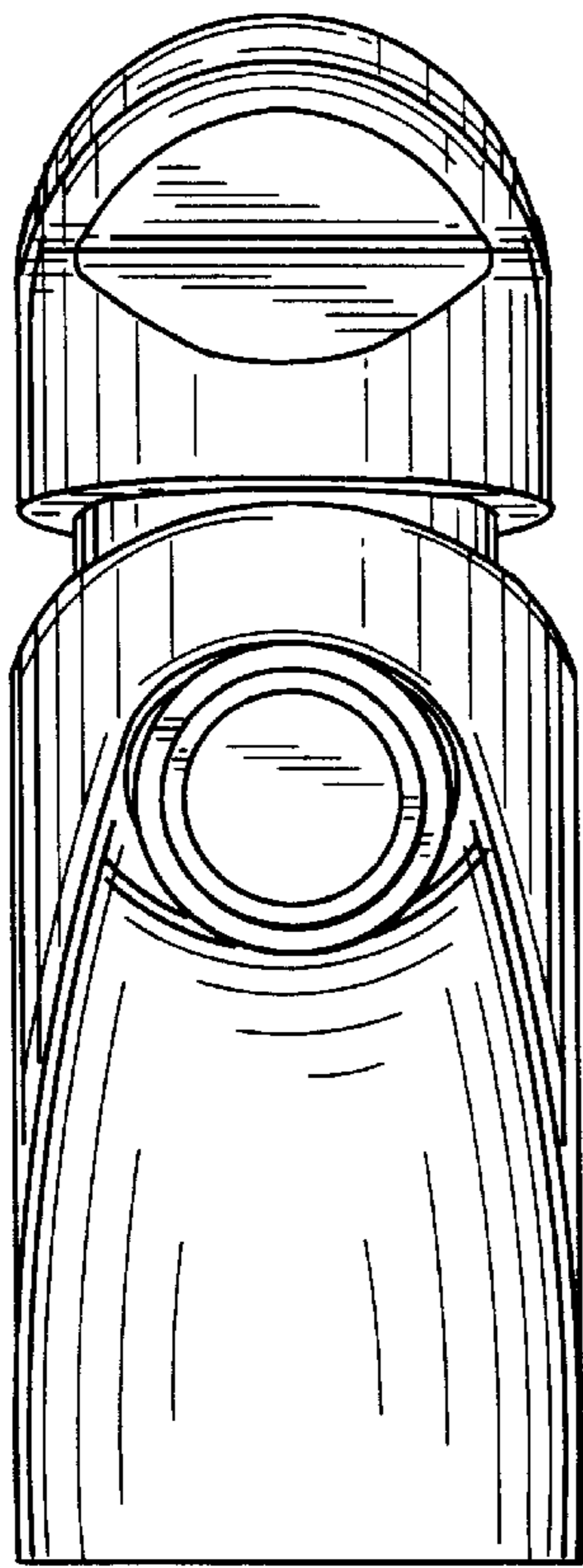


FIG. 3

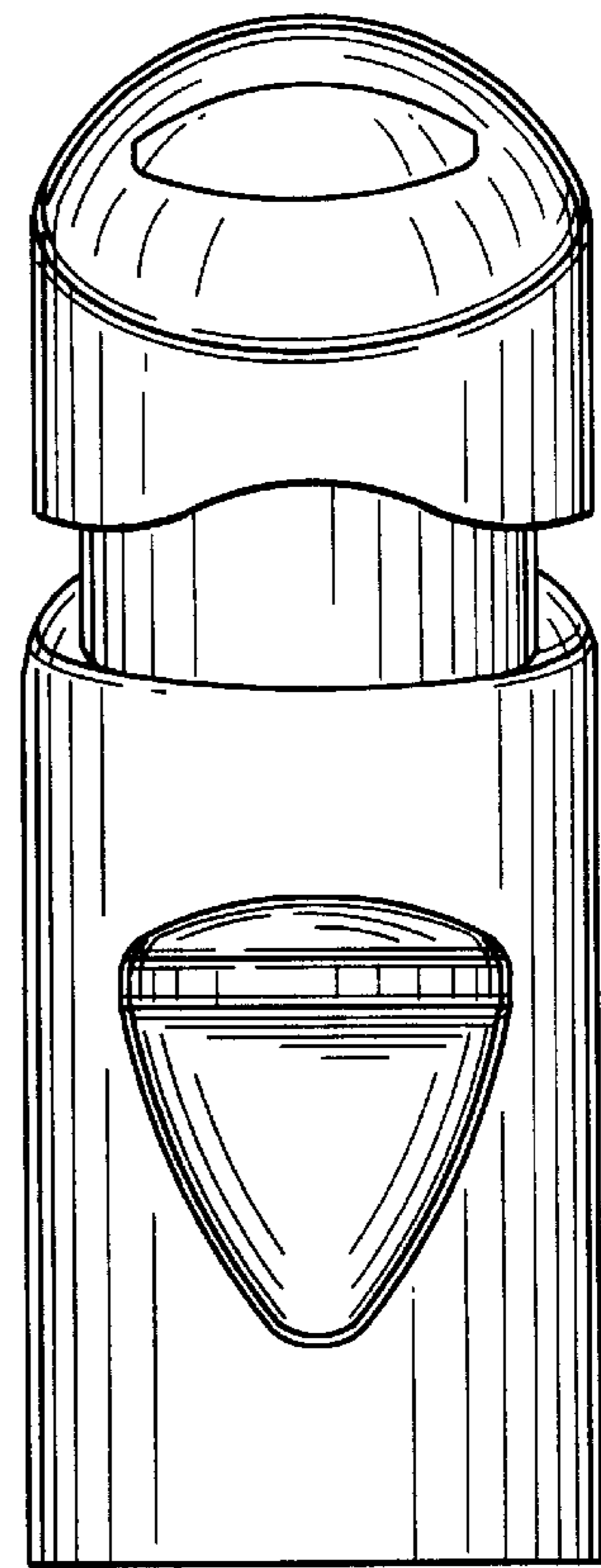


FIG. 4

FIG. 5

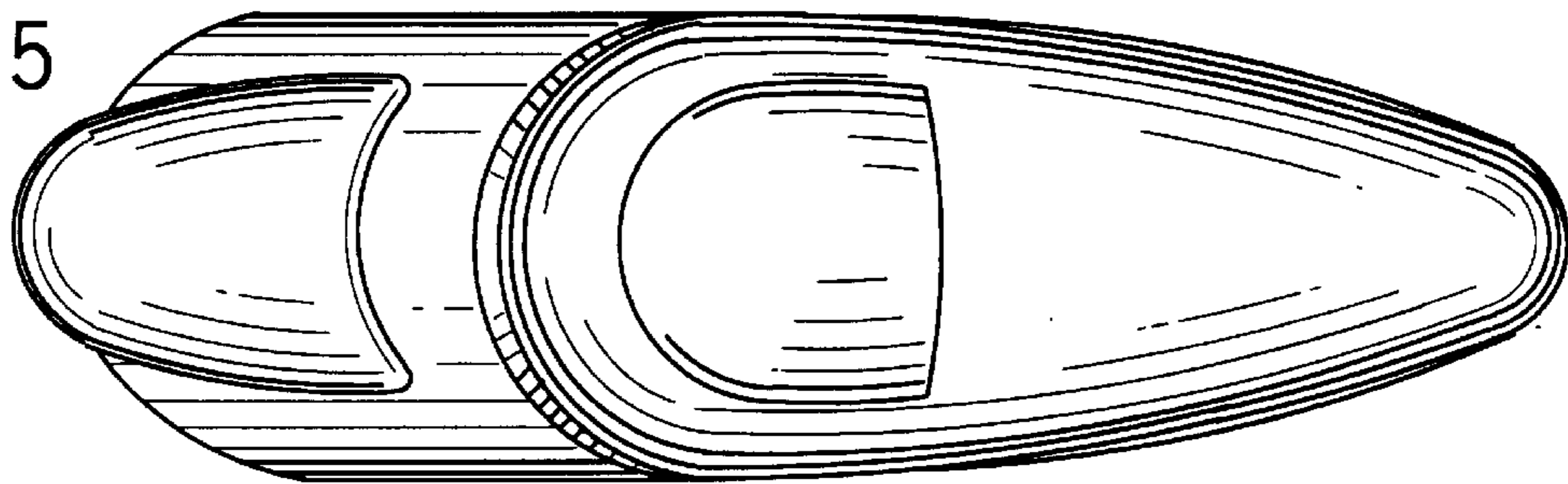


FIG. 6

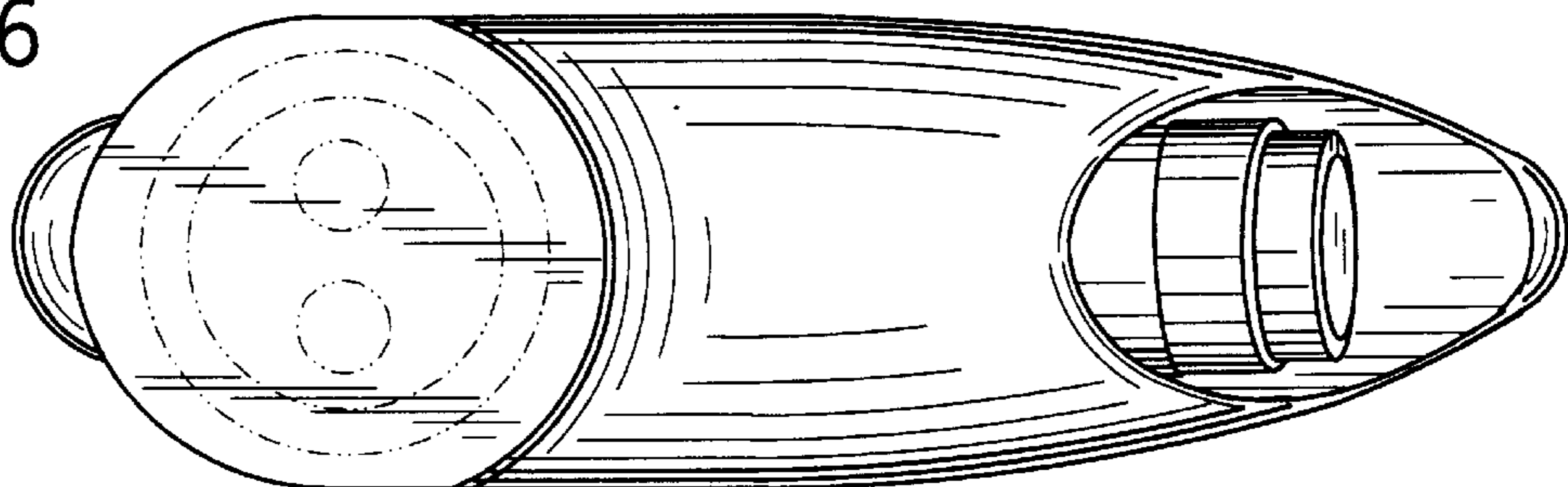




FIG. 7

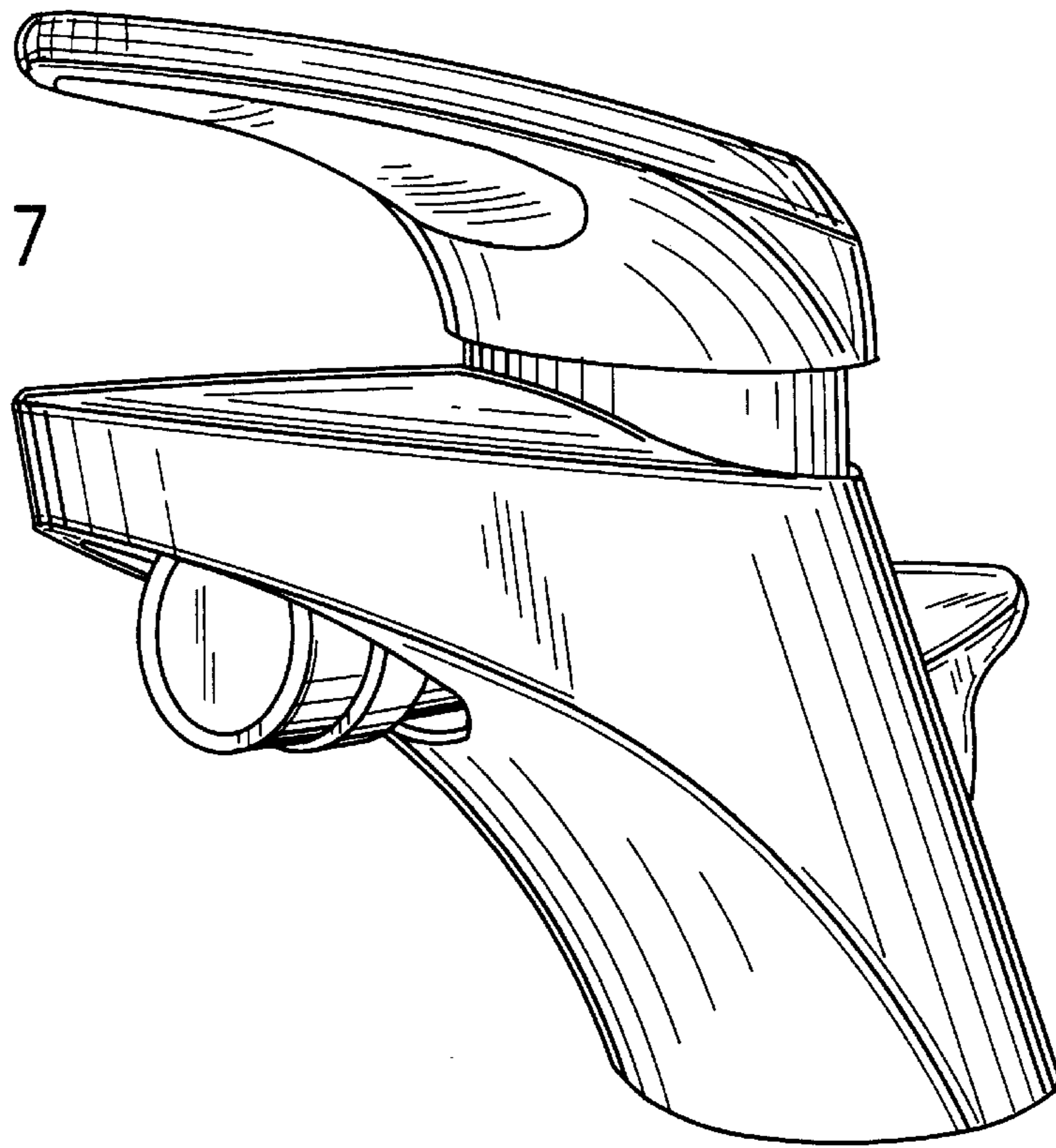
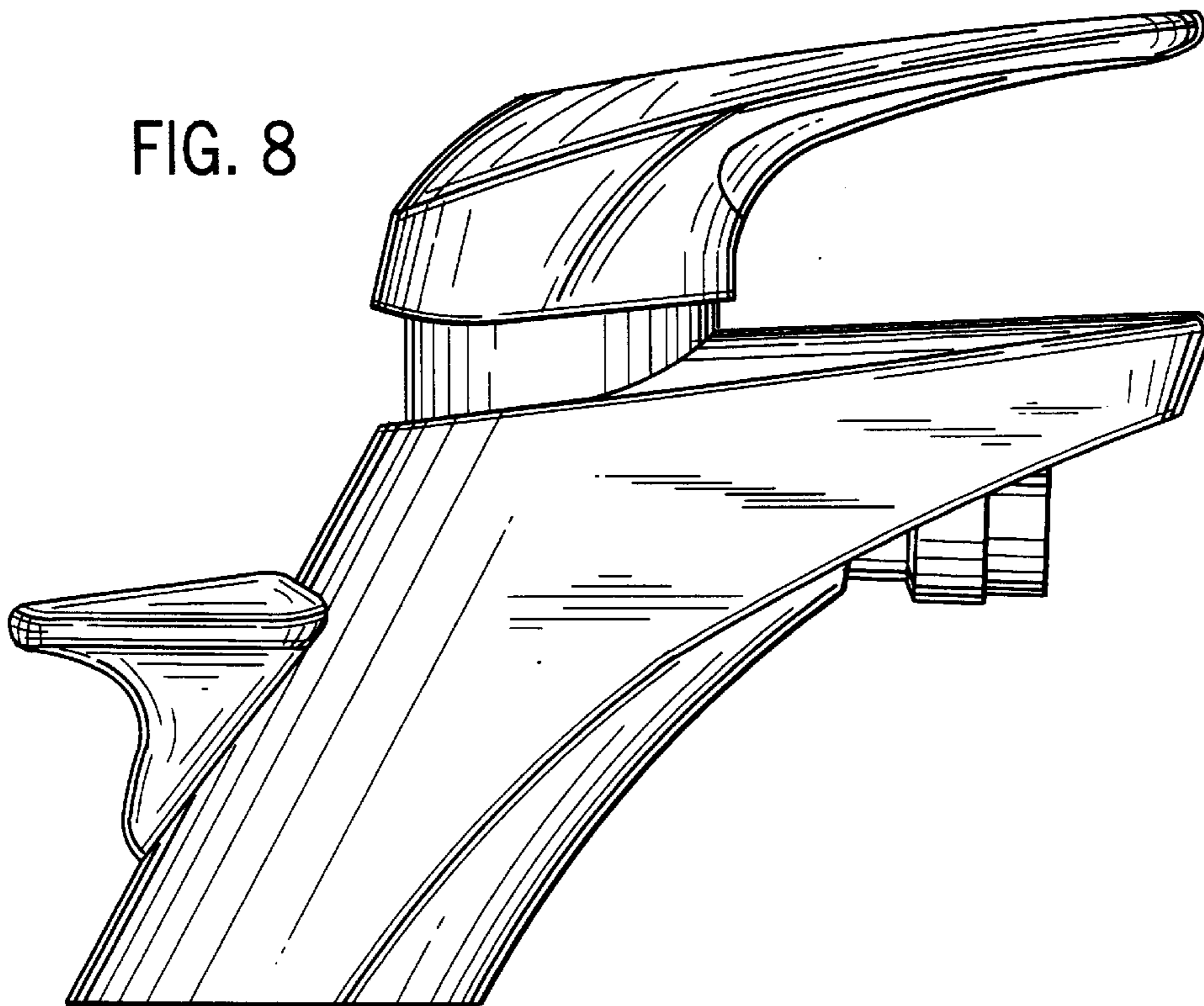


FIG. 8



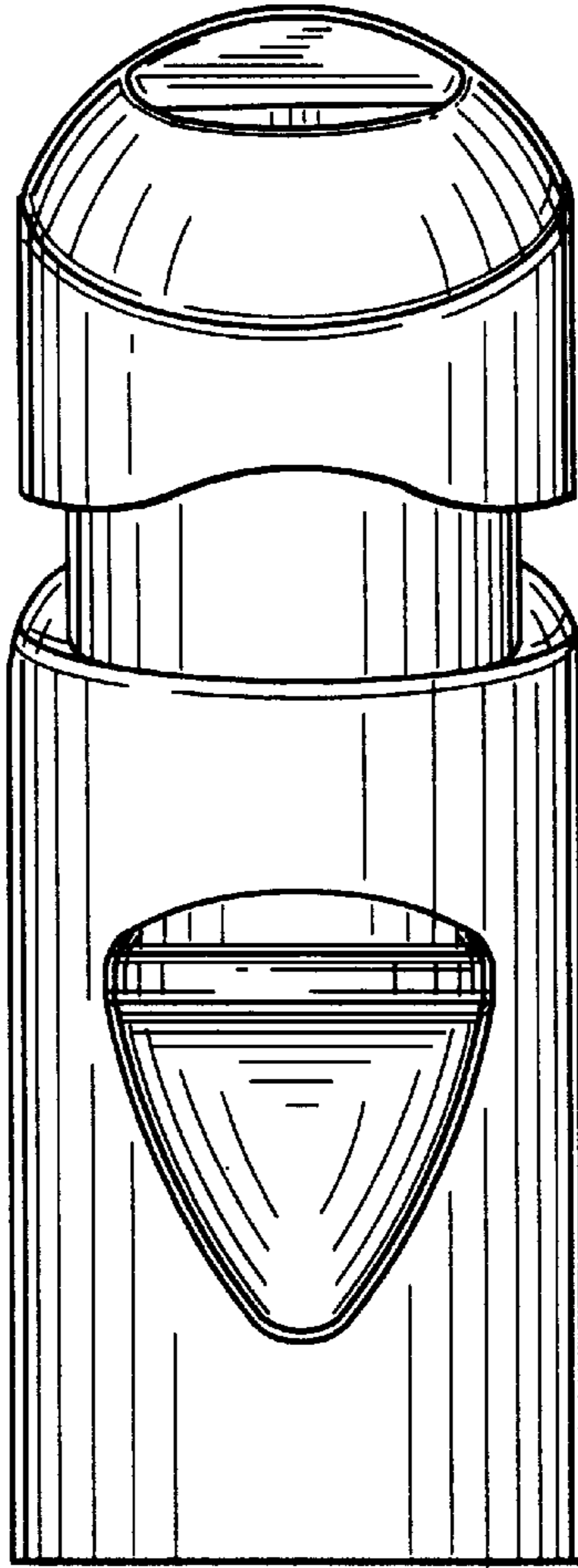


FIG. 9

FIG. 10

