



US00D398955S

United States Patent [19] Shimizu

[11] **Patent Number: Des. 398,955**

[45] **Date of Patent: **Sep. 29, 1998**

[54] **PRESSURE VALVE**

2,995,148 8/1961 Novak et al. 137/541 X
4,953,584 9/1990 Vegso 137/218

[76] Inventor: **Tatsuo Shimizu**, c/o Sony Enegytec
Inc., 1-1 Aza, Shimosugishita, Takakura,
Hiwada-machi, Koriyama-shi,
Fukushima, Japan

FOREIGN PATENT DOCUMENTS

1179894 5/1959 France 137/541
1278603 11/1961 France 137/541
337694 11/1930 United Kingdom 137/223

[**] Term: **14 Years**

OTHER PUBLICATIONS

[21] Appl. No.: **52,192**

Anderson Metals Corporation Cat. 6187 ©1987; p. 35;
center column: Evaporative Cooler Fitting.

[22] Filed: **Mar. 26, 1996**

[30] Foreign Application Priority Data

Sep. 27, 1995 [JP] Japan 7-28795

Primary Examiner—Ted Shooman
Assistant Examiner—C. Tuttle
Attorney, Agent, or Firm—Foley & Lardner

[51] **LOC (6) Cl.** **23-01**

[57] CLAIM

[52] **U.S. Cl.** **D23/235; D23/248**

The ornamental design for a pressure valve, as shown and
described.

[58] **Field of Search** D23/233, 235,
D23/237, 247, 248; 137/542, 543.13, 543.17,
540, 541

DESCRIPTION

[56] References Cited

U.S. PATENT DOCUMENTS

D. 96,691 8/1935 Nelson D23/247
D. 97,858 12/1935 MacCowan D23/247
D. 222,802 1/1972 Siebel D23/235
D. 242,709 12/1976 Schourup D23/235
D. 263,163 2/1982 Olde D23/262
D. 266,019 8/1982 Crossman D23/247 X
D. 325,428 4/1992 Vitsur D23/259
D. 347,465 5/1994 Luppino D23/233
729,027 5/1903 Wilson 137/541
1,356,298 10/1920 McGregor 137/540 X

FIG. 1 is a perspective view of a pressure valve showing my
new design;

FIG. 2 is a top plan view thereof;

FIG. 3 is a bottom plan view thereof;

FIG. 4 is a front elevational view thereof;

FIG. 5 is a rear elevational view thereof;

FIG. 6 is a left side elevational view thereof; and,

FIG. 7 is a right elevational view thereof.

The broken lines showing the interior structures are for
illustrative purposes only and form no part of the claimed
design.

1 Claim, 2 Drawing Sheets

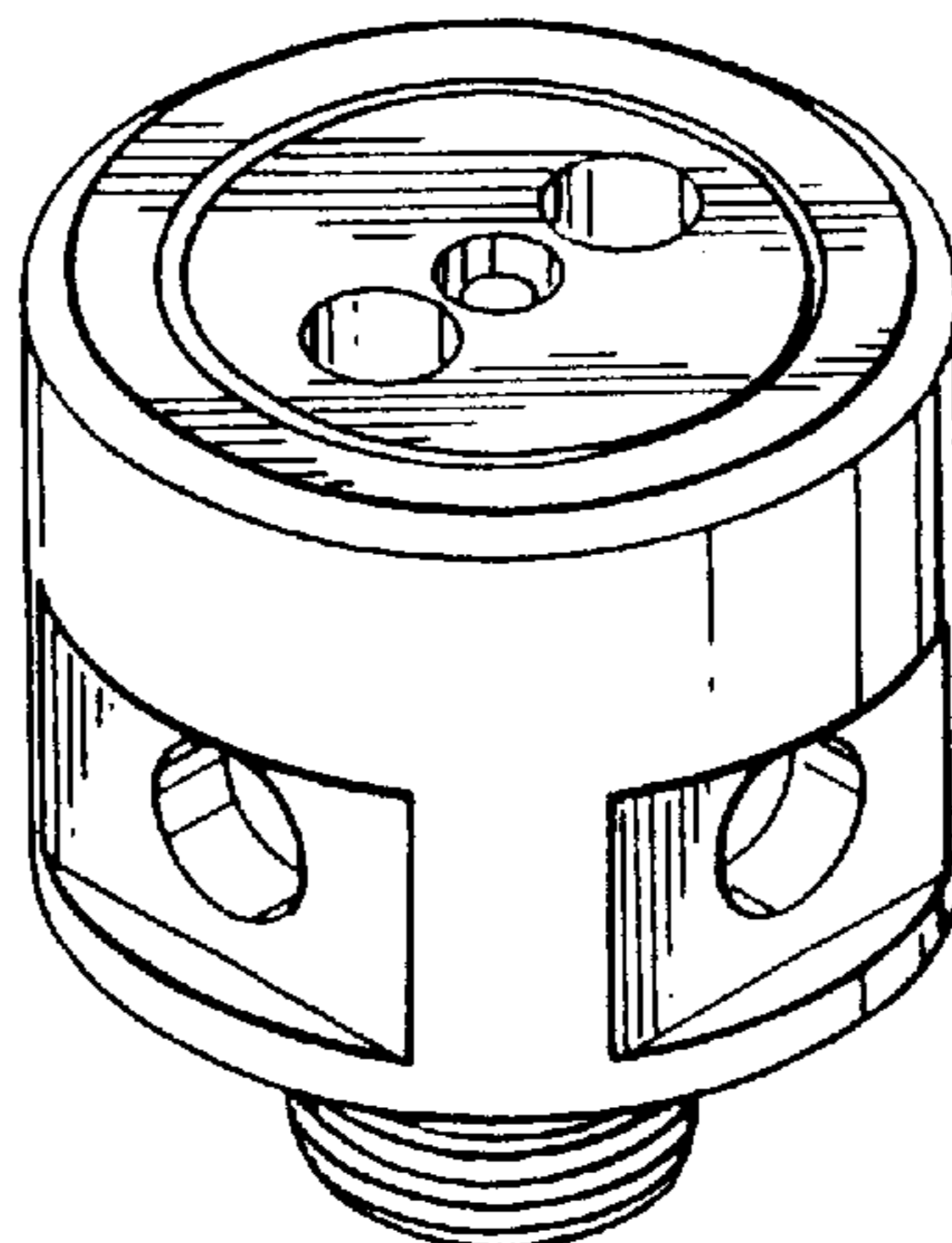


FIG. 1

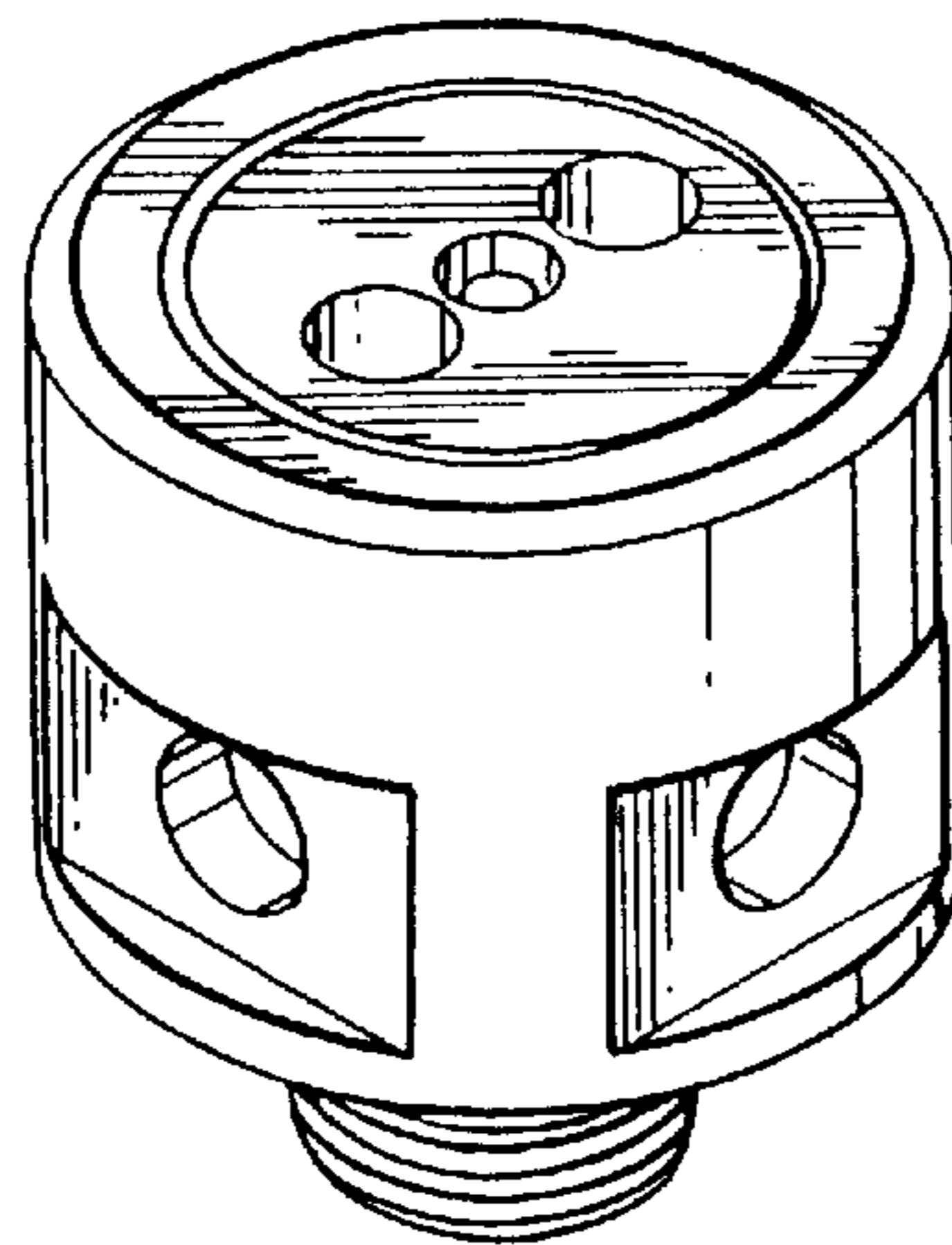


FIG. 2

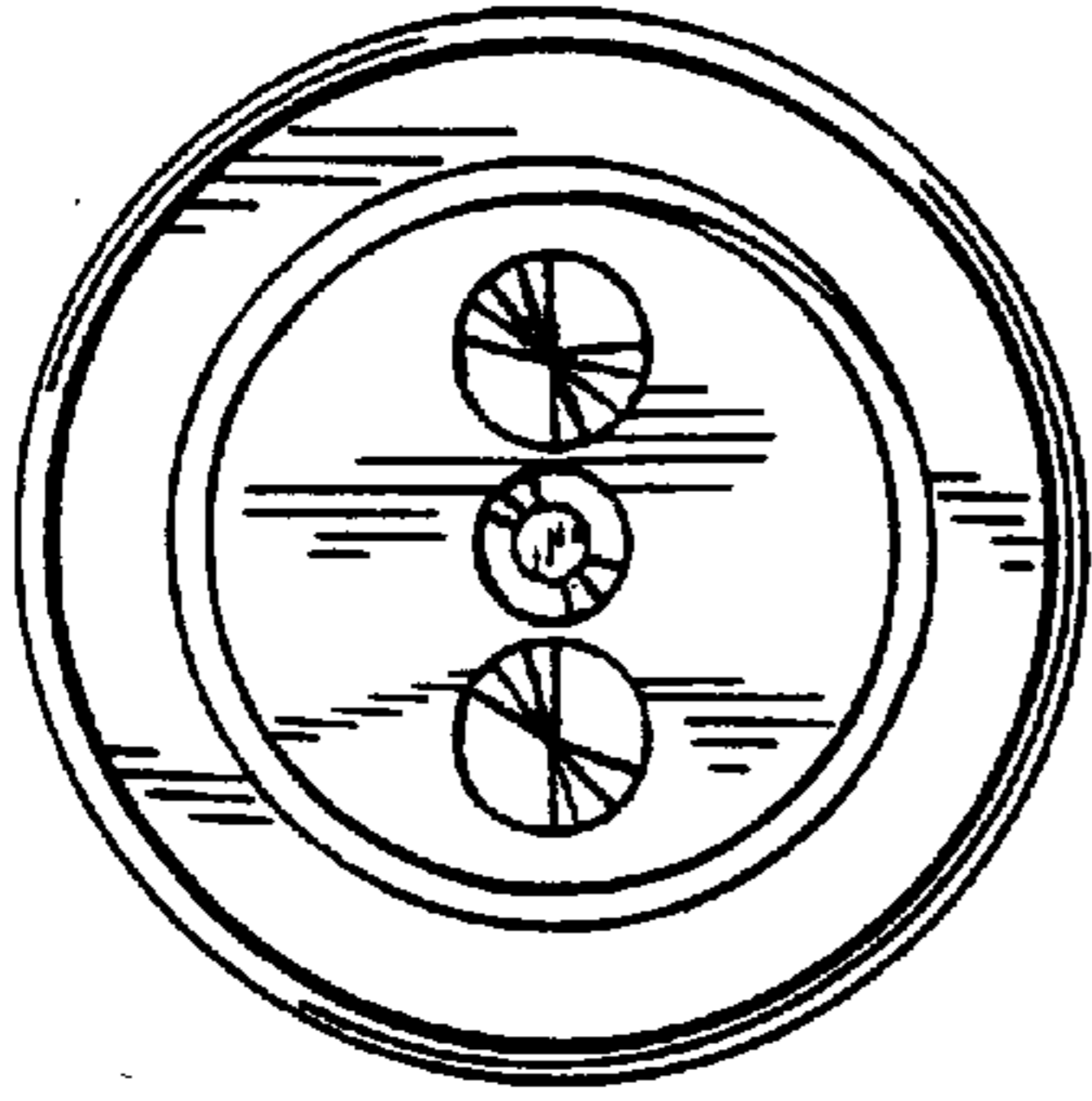


FIG. 3

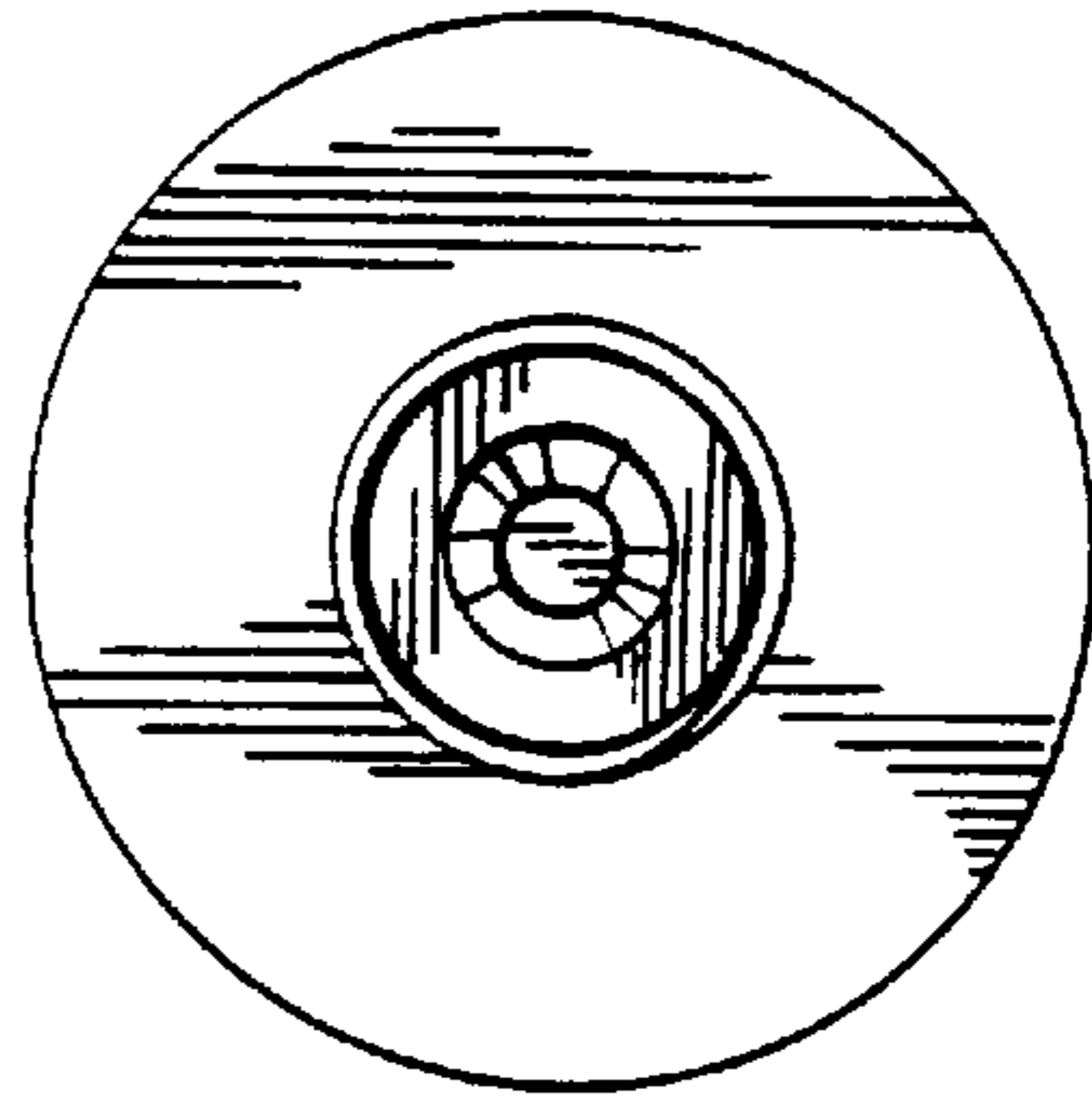


FIG. 4

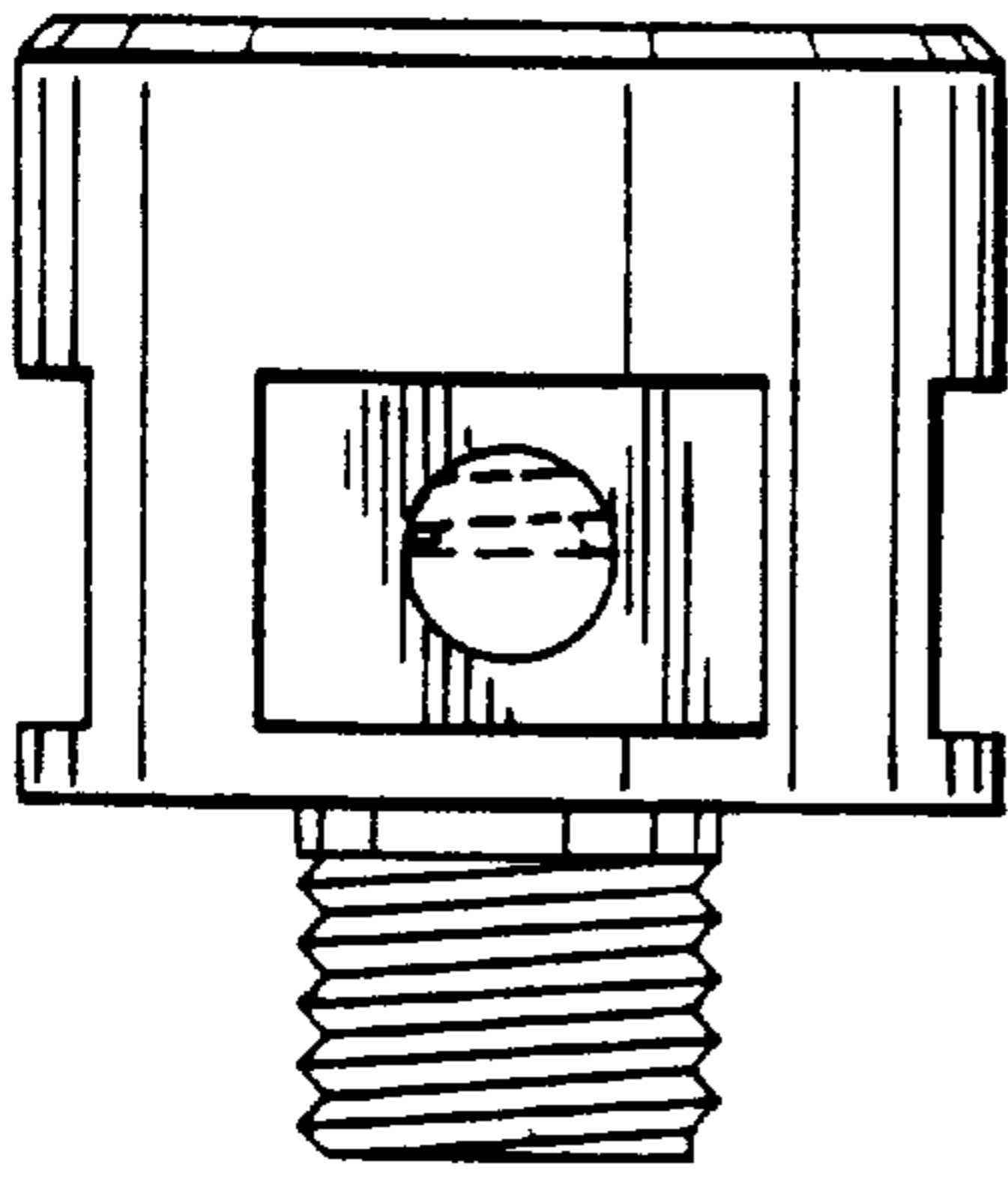


FIG. 5

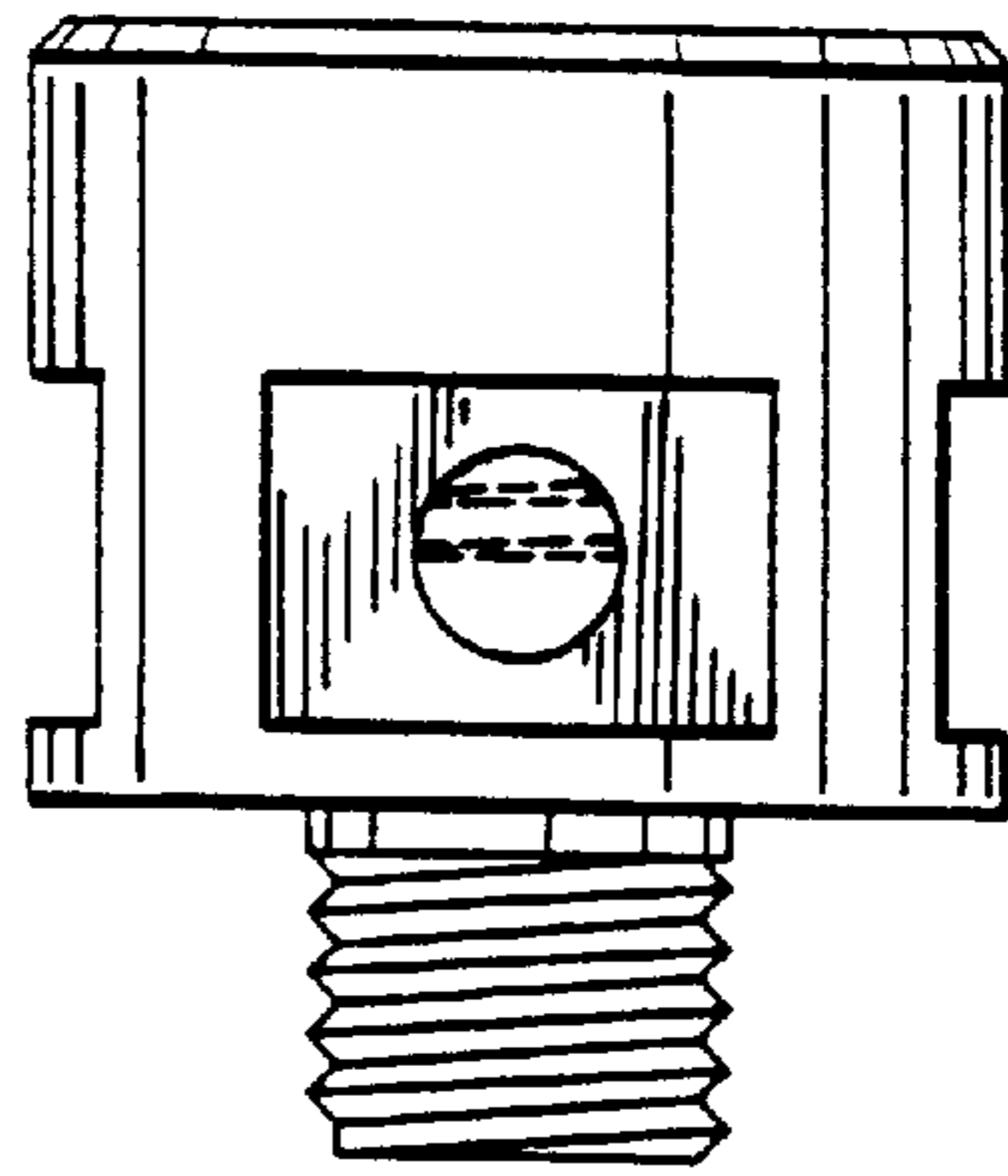


FIG. 6

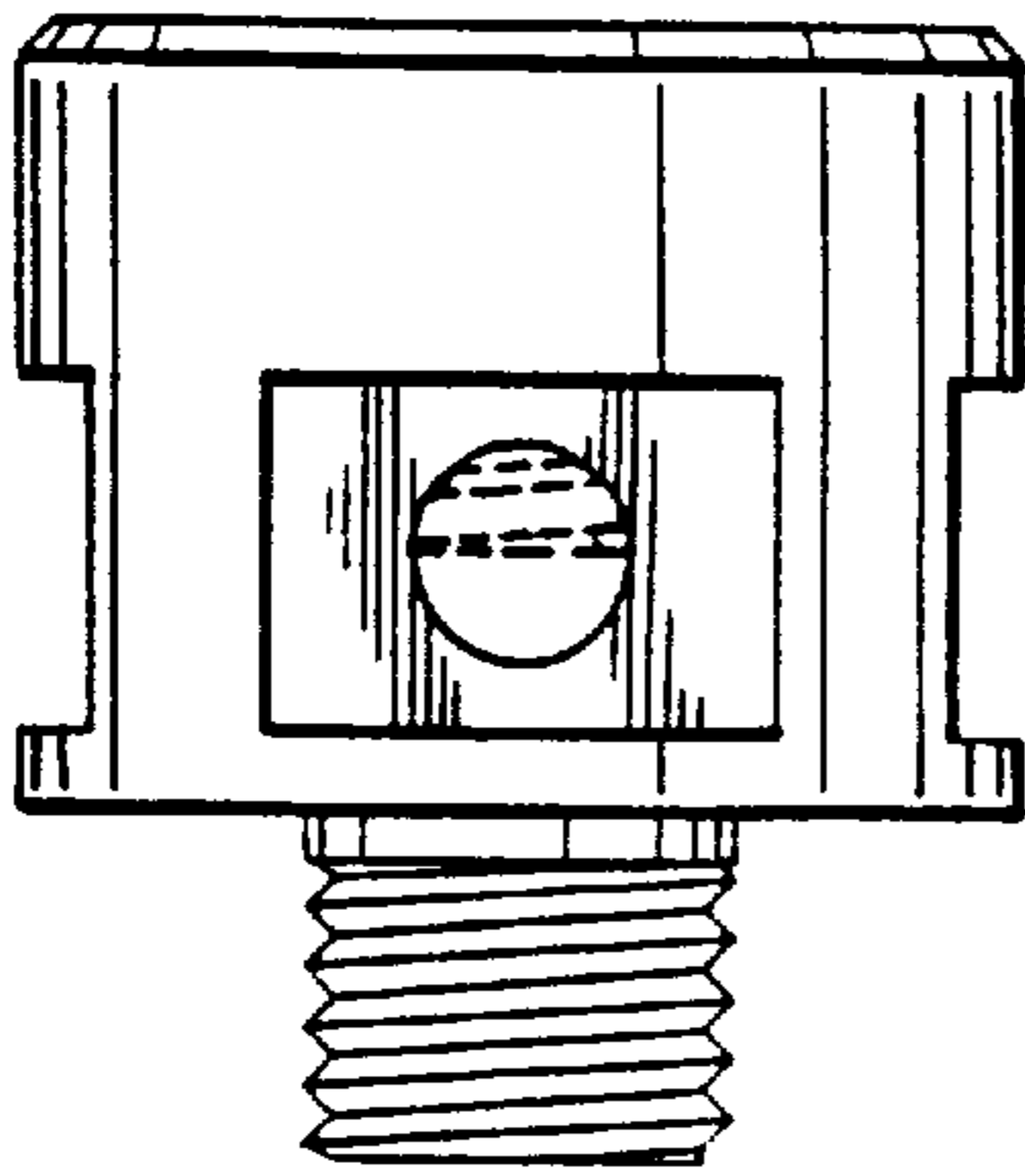


FIG. 7

