



US00D398953S

United States Patent [19]

Andrus et al.

[11] **Patent Number: Des. 398,953**

[45] **Date of Patent: **Sep. 29, 1998**

[54] **HAND HELD SHOWERHEAD**

[75] Inventors: **Leonard C. Andrus**, Plymouth; **Ronald D. Green**, New Hudson; **Bruce Higgins**, South Lyon, all of Mich.

[73] Assignee: **Brass-Craft Manufacturing Company**, Novi, Mich.

[**] Term: **14 Years**

[21] Appl. No.: **71,412**

[22] Filed: **May 29, 1997**

[51] **LOC (6) Cl.** **23-01**

[52] **U.S. Cl.** **D23/223**

[58] **Field of Search** D23/213, 223-4, D23/226; 239/394, 276, 459-460, 525-8

[56] **References Cited**

U.S. PATENT DOCUMENTS

D. 251,678	4/1979	Kwan	D23/223
D. 349,947	8/1994	Hung-Wah	D23/223
D. 354,334	1/1995	Koenig	D23/223
D. 363,341	10/1995	Starck	D23/223

Primary Examiner—Alan P. Douglas
Assistant Examiner—Robin V. Taylor
Attorney, Agent, or Firm—Myron B. Kapustij; Malcolm L. Sutherland

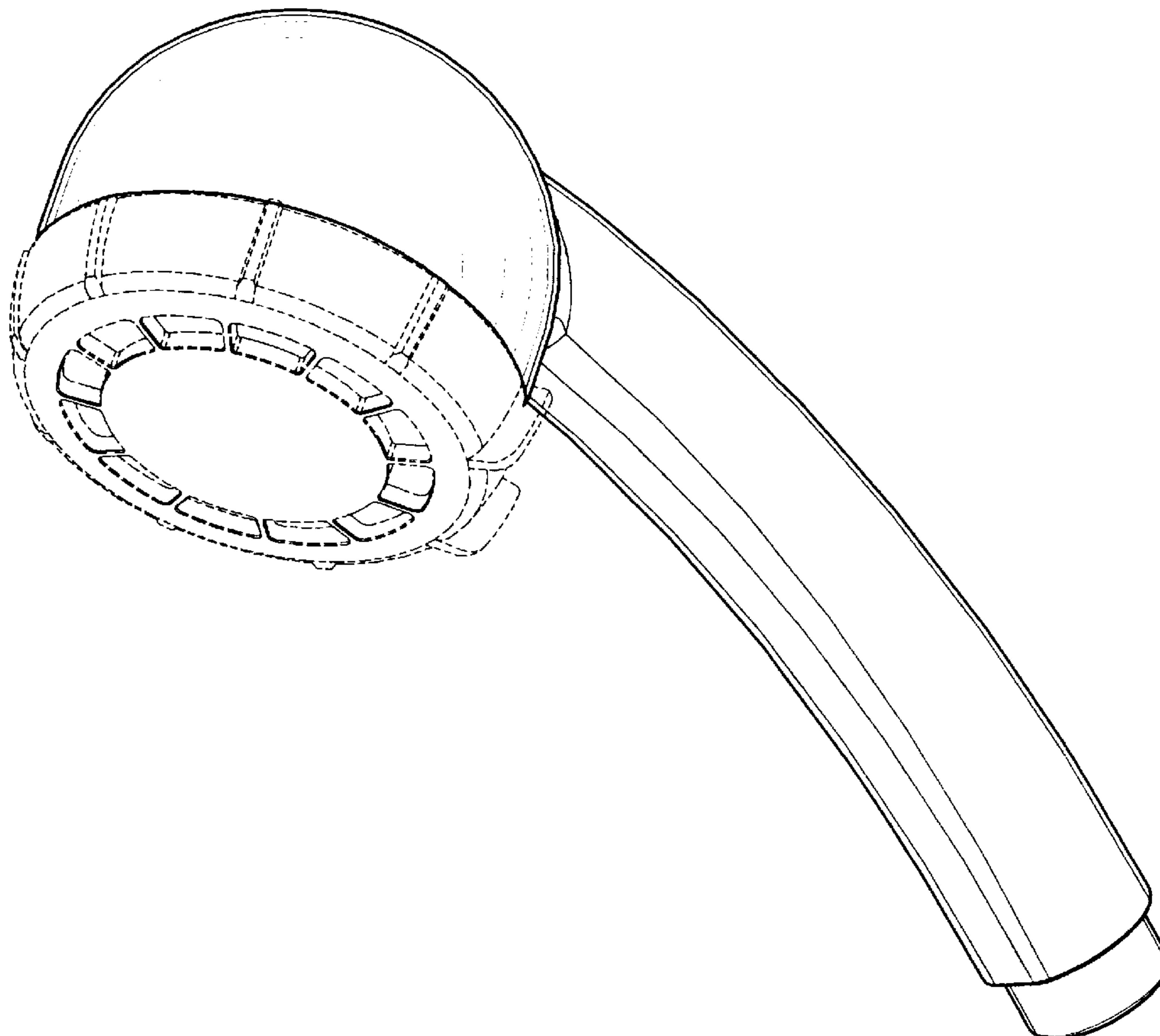
[57] **CLAIM**

The ornamental design for a hand held showerhead, as shown and described.

DESCRIPTION

FIG. 1 is a front perspective view of a hand held showerhead showing our new design;
FIG. 2 is a top plan view thereof;
FIG. 3 is a bottom plan view thereof;
FIG. 4 is a left side elevational view thereof, the right side being a mirror image;
FIG. 5 is a rear elevational view thereof;
FIG. 6 is a front elevational view thereof;
FIG. 7 is a front perspective view of a second embodiment thereof differing from the embodiment shown in FIG. 1 in the shape of the head of the hand held showerhead;
FIG. 8 is a top plan view of the second embodiment shown in FIG. 7;
FIG. 9 is a bottom plan view of the second embodiment shown in FIG. 7; and,
FIG. 10 is a left side elevational view of the second embodiment shown in FIG. 7, the right side being a mirror image.
The broken line representation of the faceplate in FIGS. 1-10 is for purposes of illustration only and forms no part of FIGS. 1-10.

1 Claim, 5 Drawing Sheets



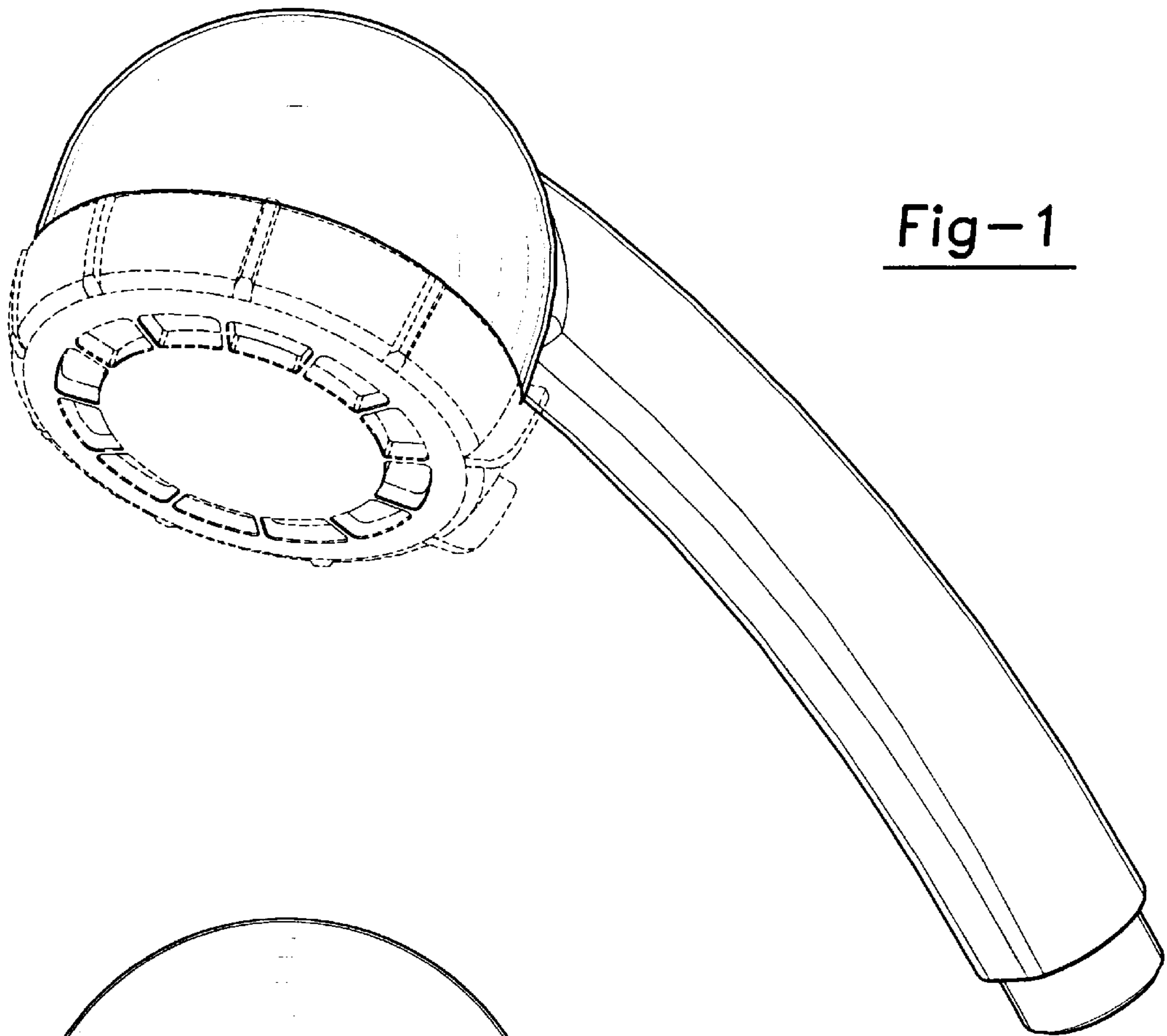


Fig-1

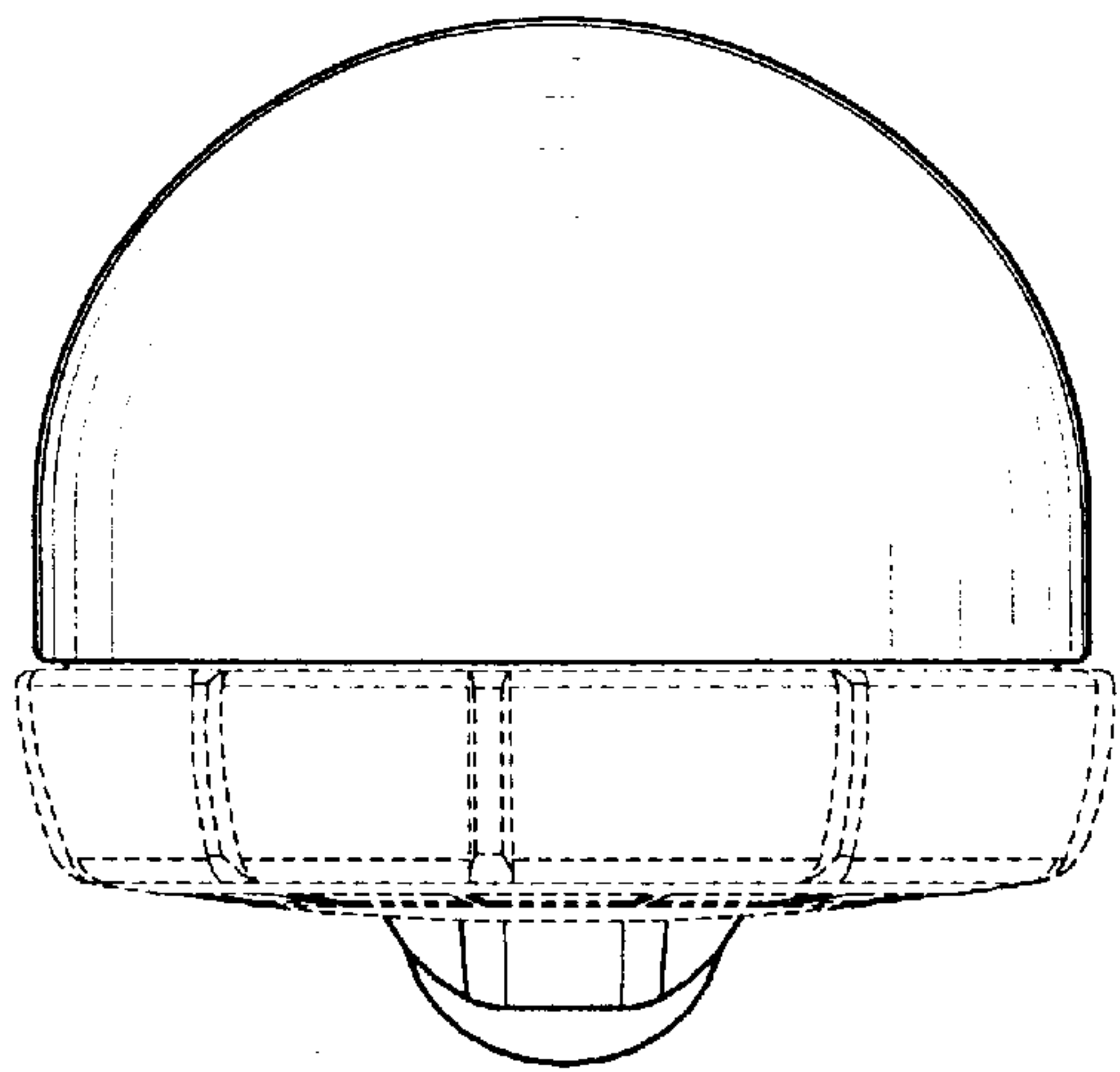


Fig-2

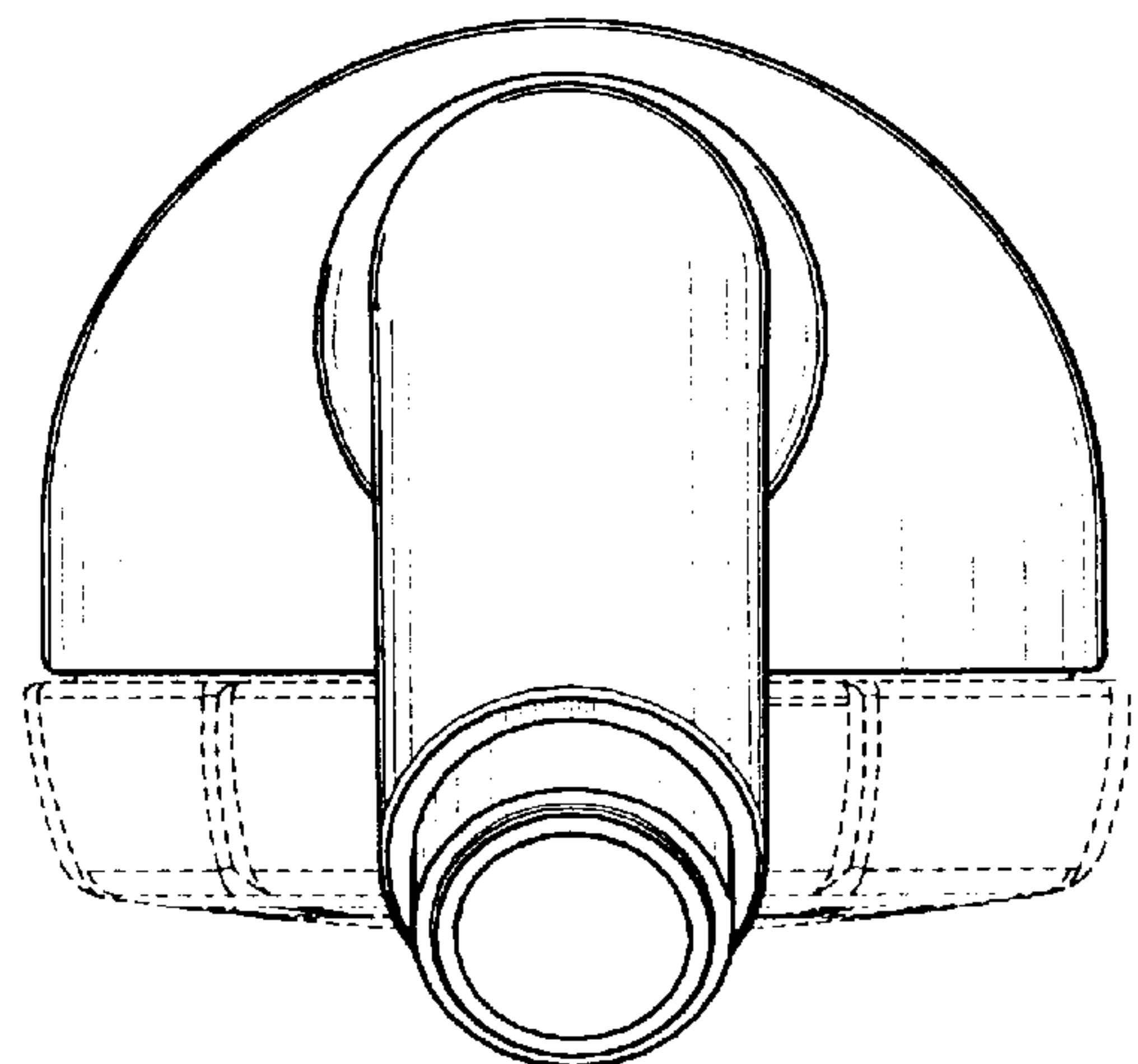


Fig-3

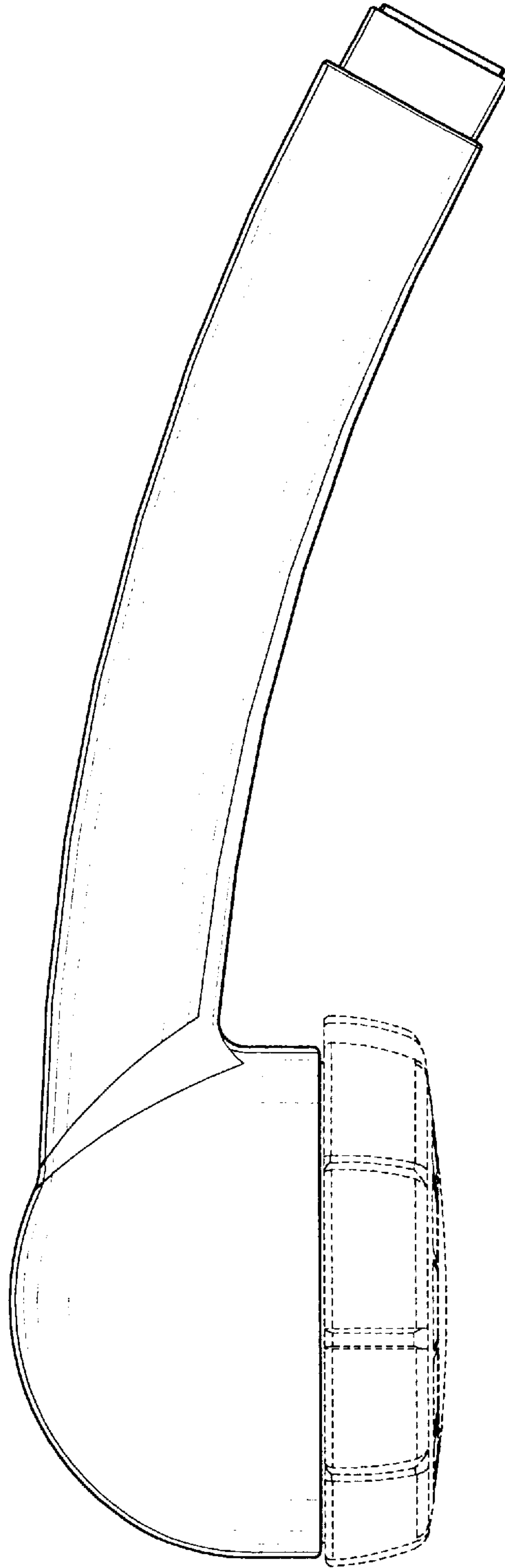


Fig-4

Fig-5

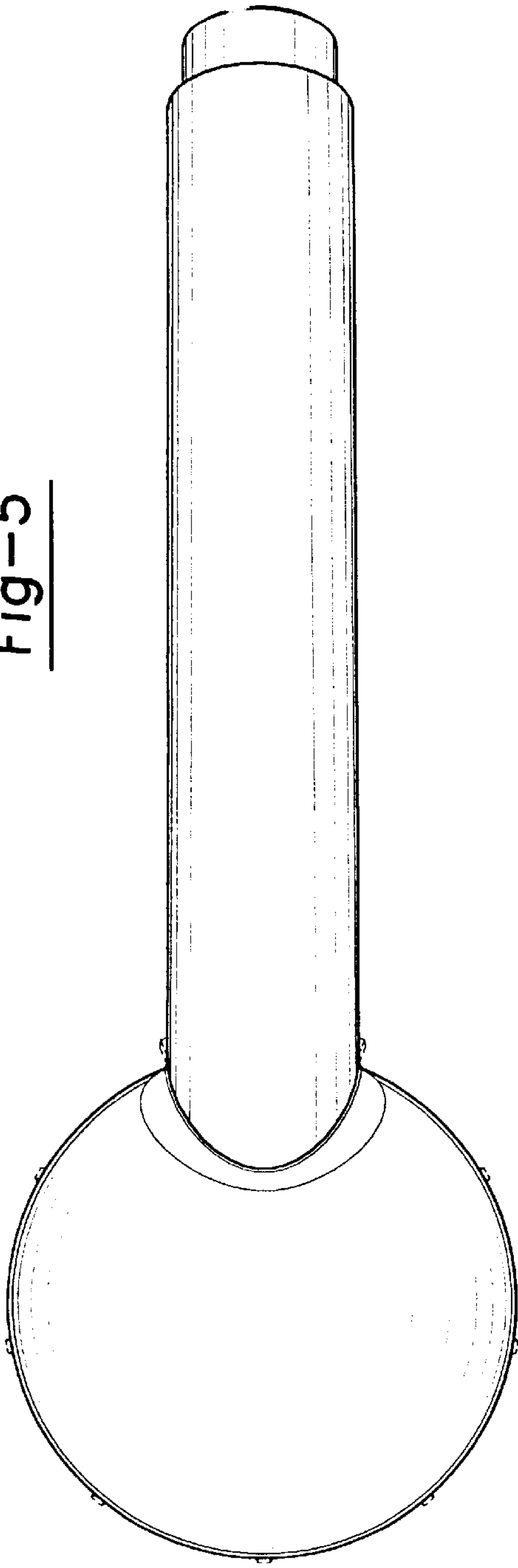
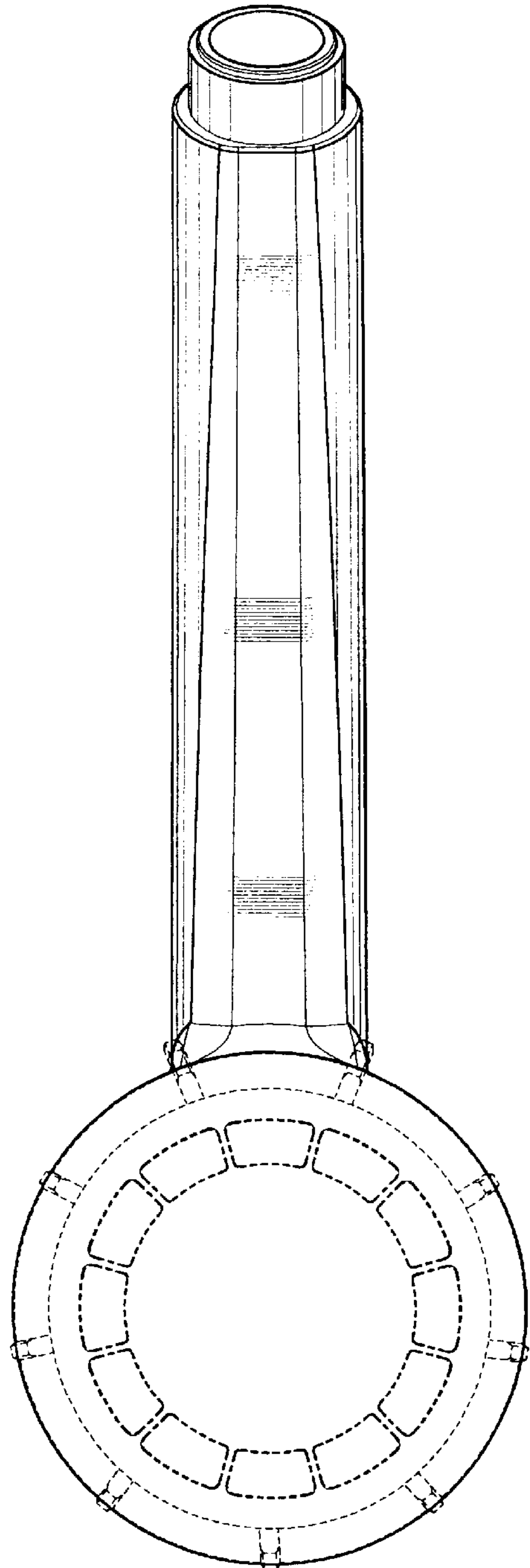


Fig-6



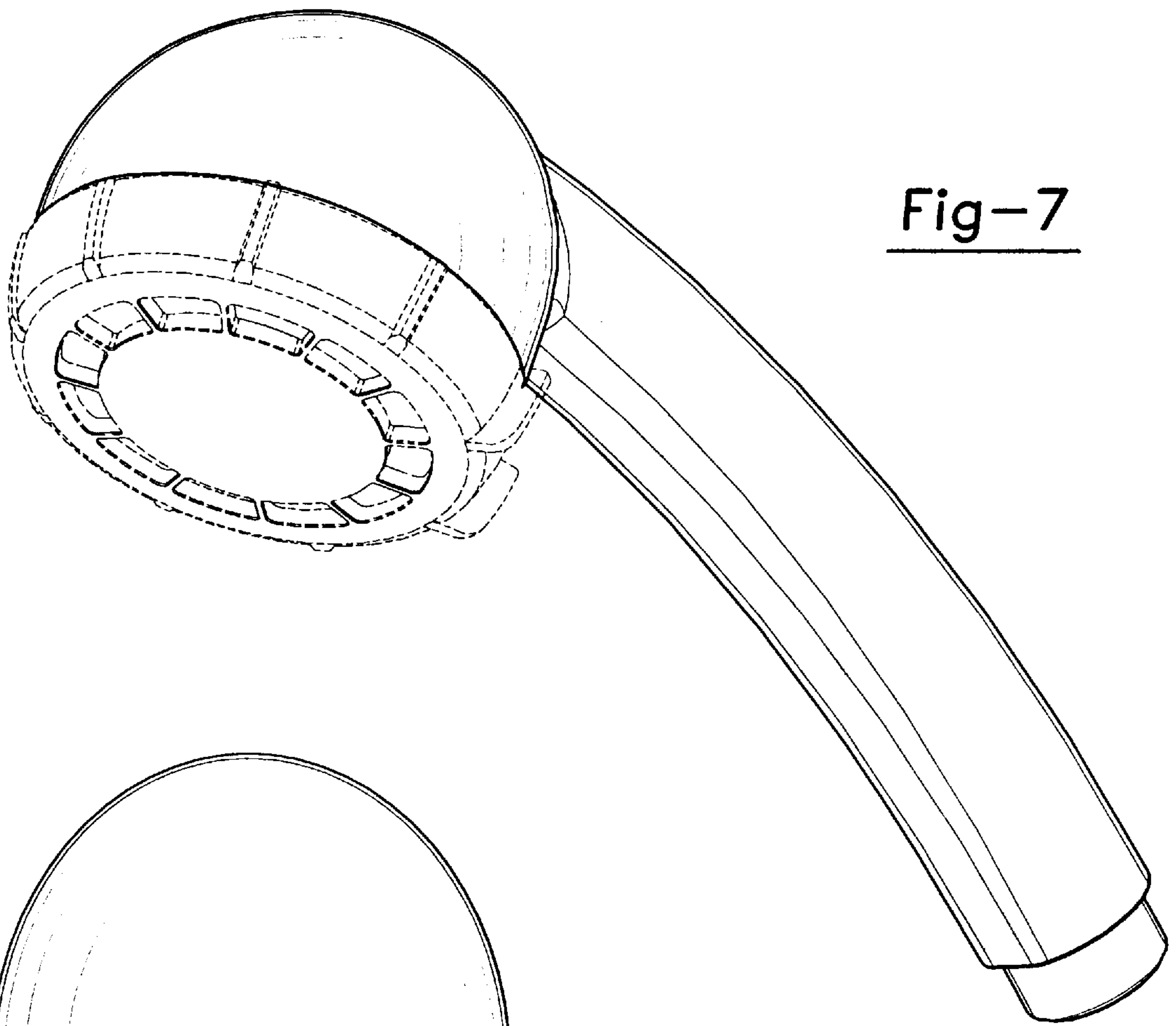


Fig-7

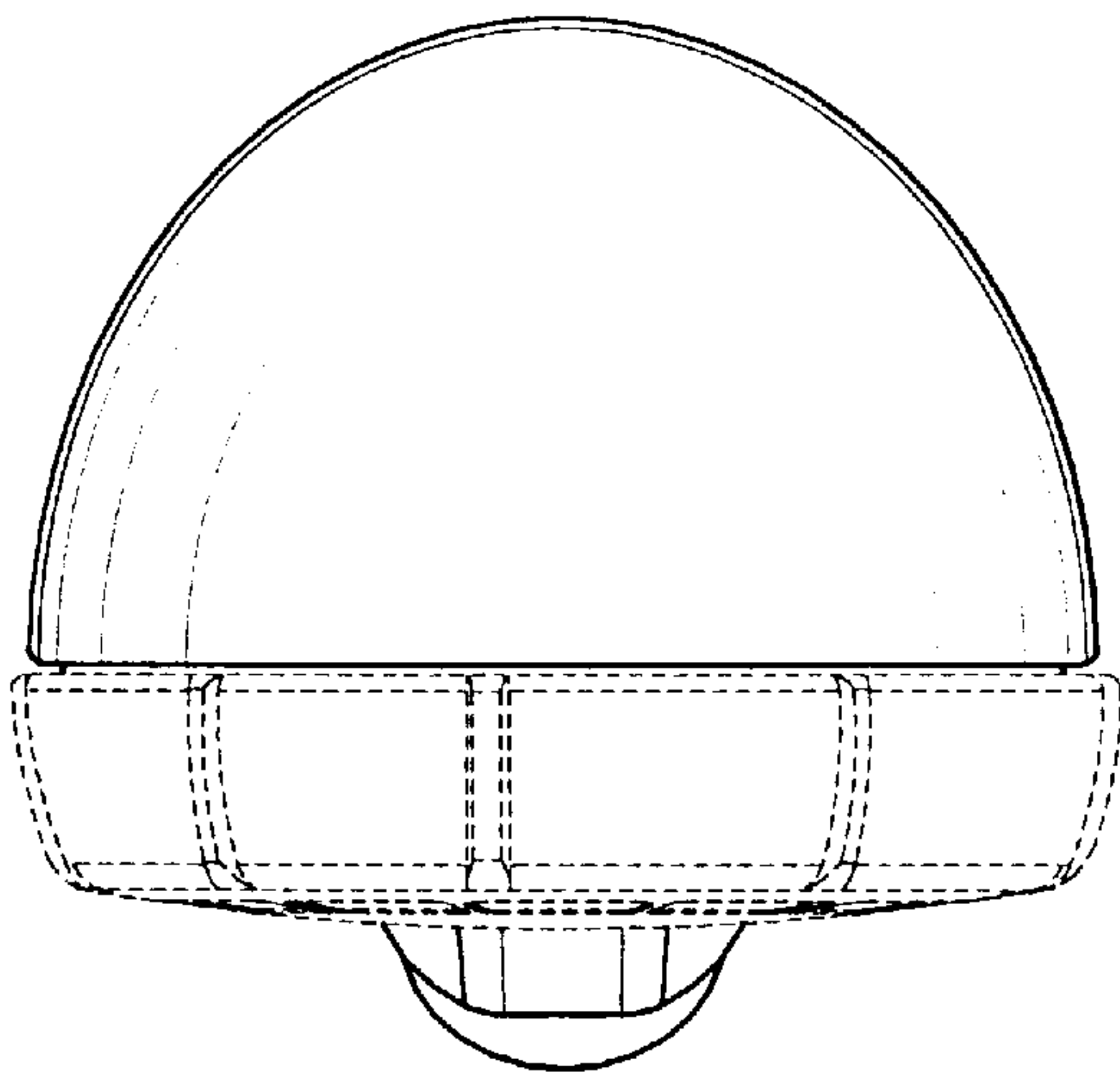


Fig-8

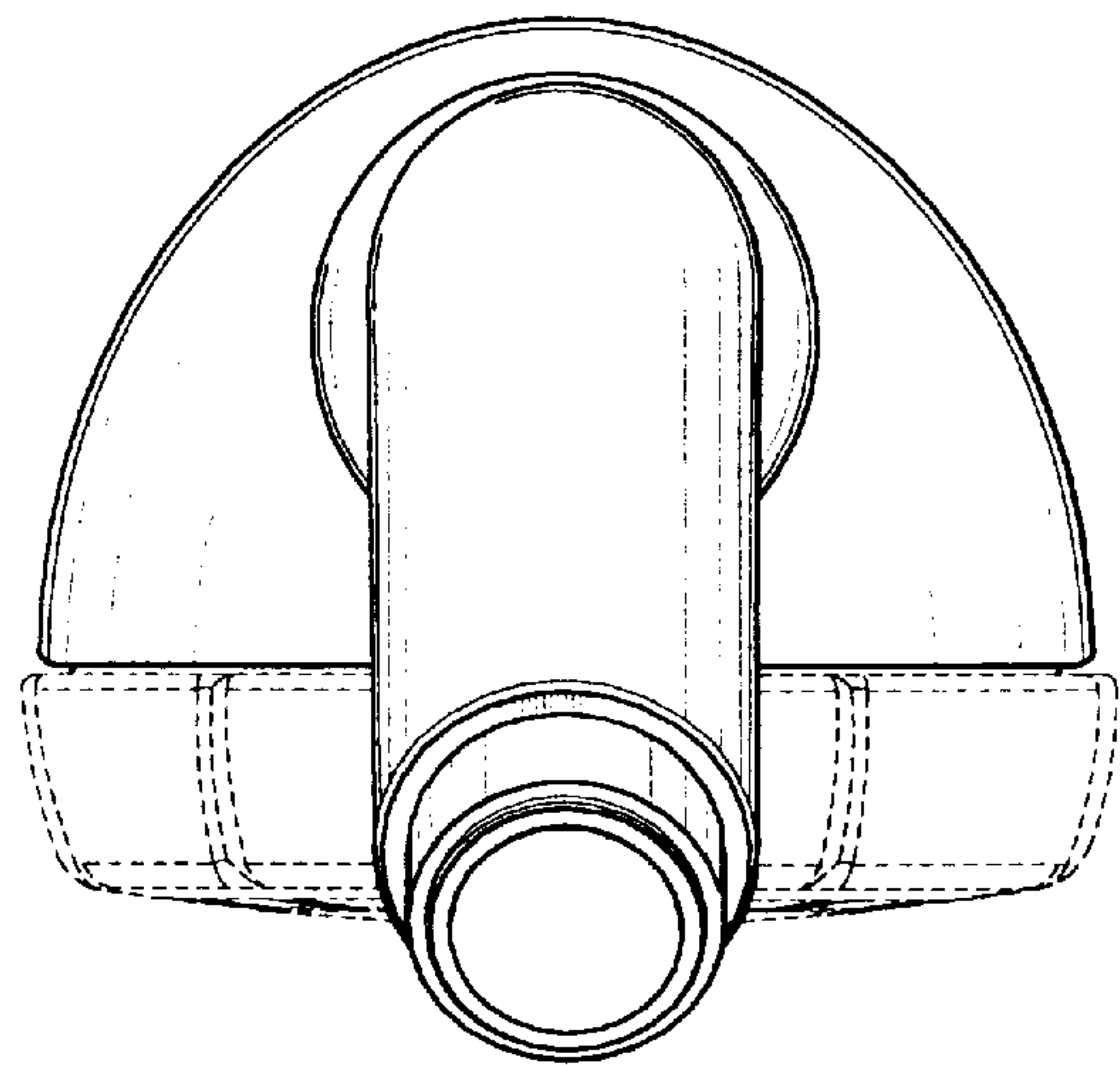


Fig-9

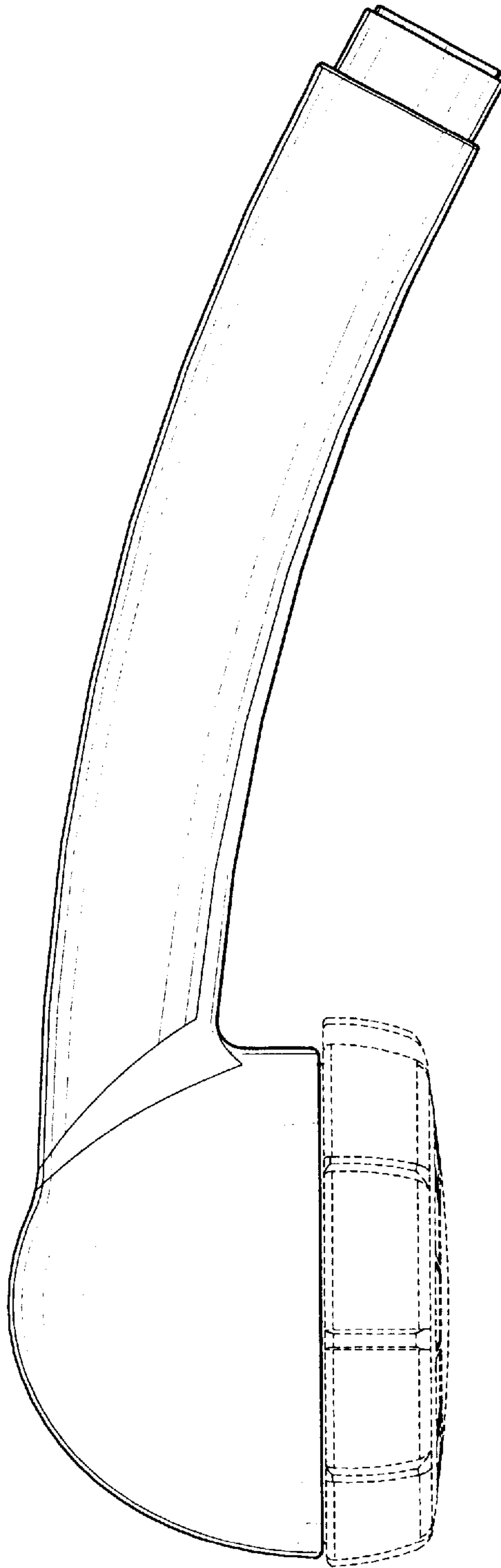


Fig-10