



US00D398952S

United States Patent [19]
Hsueh

[11] **Patent Number: Des. 398,952**

[45] **Date of Patent: **Sep. 29, 1998**

[54] **SPRINKLER**

5,033,678 7/1991 Borghese et al. 239/242

[76] Inventor: **Mei-Hsueh Hsueh**, No. 10, Fang Tung Rd., Wen Chin Village, Fang Yuan Hsiang, Chang Hua County, Taiwan

OTHER PUBLICATIONS

Nelson catalog; #1025 Rainshower non-puddling sprinkler; p. 15, 1995.

[**] Term: **14 Years**

Primary Examiner—Alan P. Douglas
Assistant Examiner—Robin V. Taylor
Attorney, Agent, or Firm—Harrison & Egbert

[21] Appl. No.: **78,506**

[22] Filed: **Oct. 27, 1997**

[57] **CLAIM**

[51] **LOC (6) Cl.** **23-01**

The ornamental design for a sprinkler, as shown.

[52] **U.S. Cl.** **D23/216**

[58] **Field of Search** D23/213–216,
D23/223–230; 239/240, 241, 242, 222.13,
222.21

DESCRIPTION

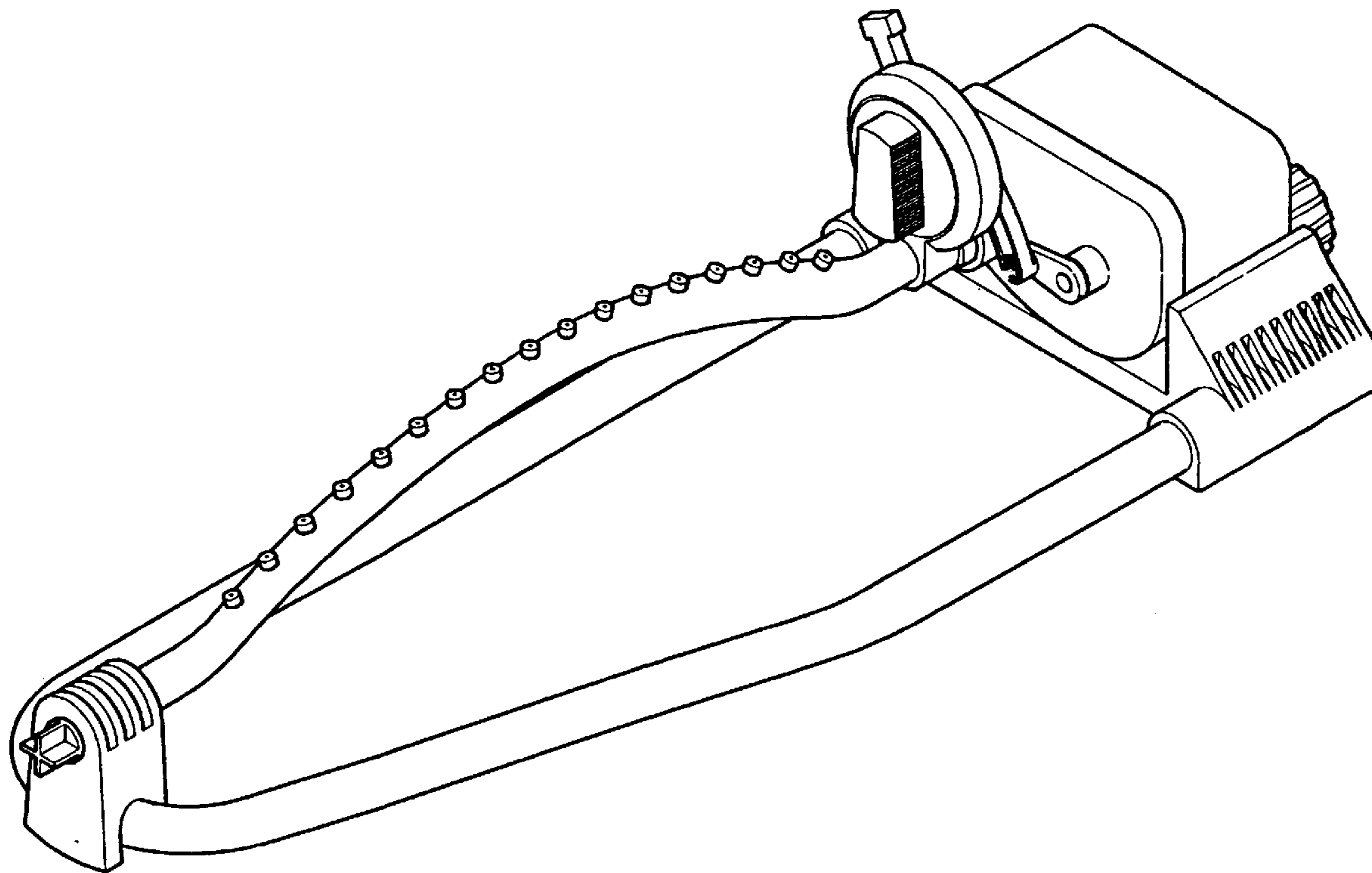
FIG. 1 is a perspective view of sprinkler showing my new design;
FIG. 2 is a front elevational view thereof;
FIG. 3 is a rear elevational view thereof;
FIG. 4 is a right elevational view thereof;
FIG. 5 is a left elevational view thereof;
FIG. 6 is a top plan view thereof; and,
FIG. 7 is a bottom plan view thereof.

[56] **References Cited**

U.S. PATENT DOCUMENTS

D. 281,996	12/1985	Hayes	D23/216
D. 351,214	10/1994	Clivio	D23/216
D. 387,127	12/1997	Guo et al.	D23/216
4,457,471	7/1984	Roman	239/242
4,568,023	2/1986	Hayes	239/242

1 Claim, 4 Drawing Sheets



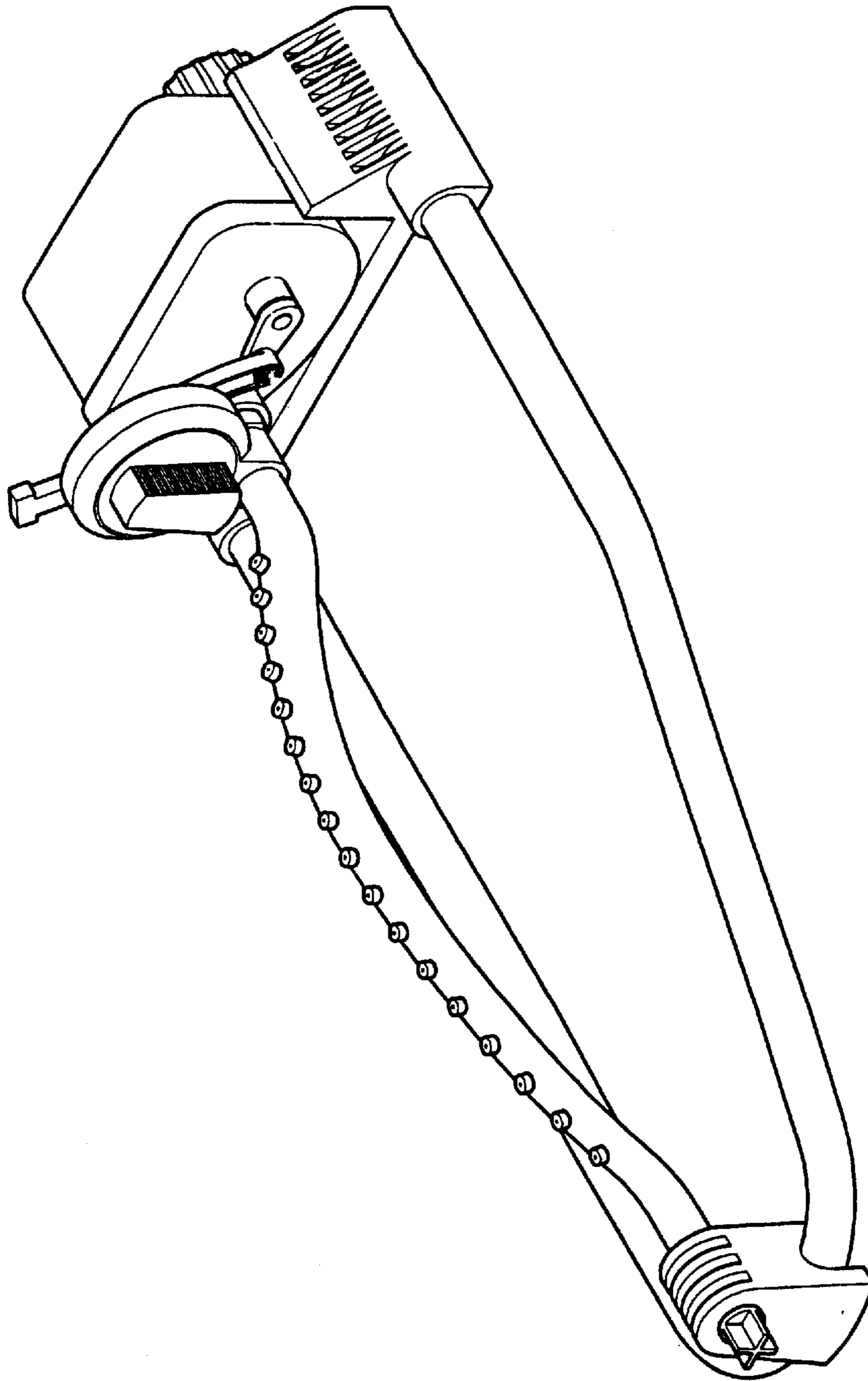


FIG. 1

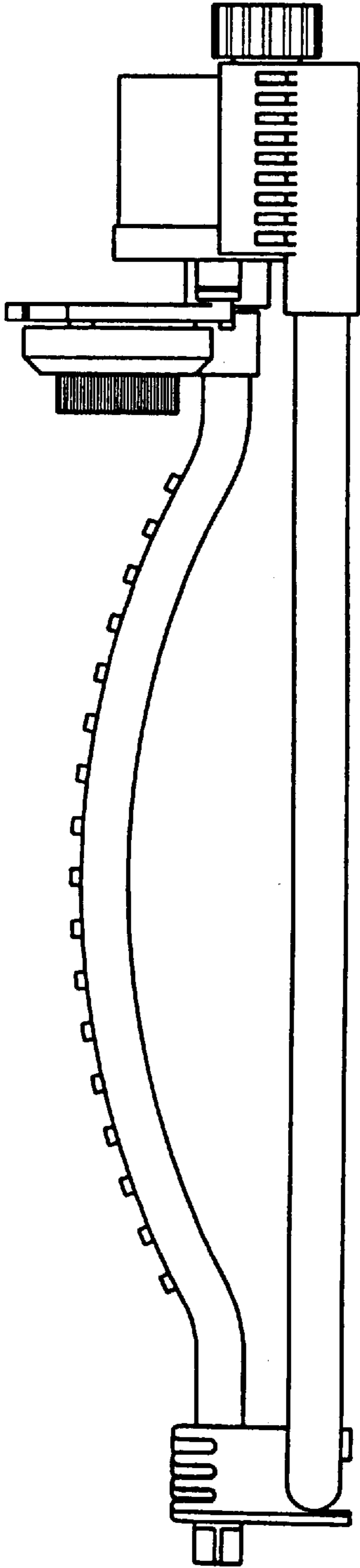


FIG. 2

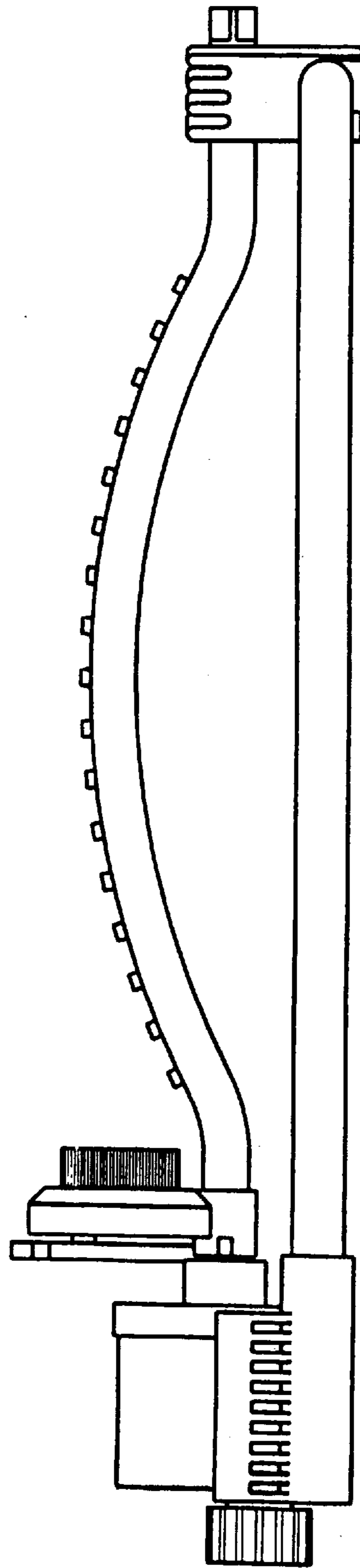


FIG. 3

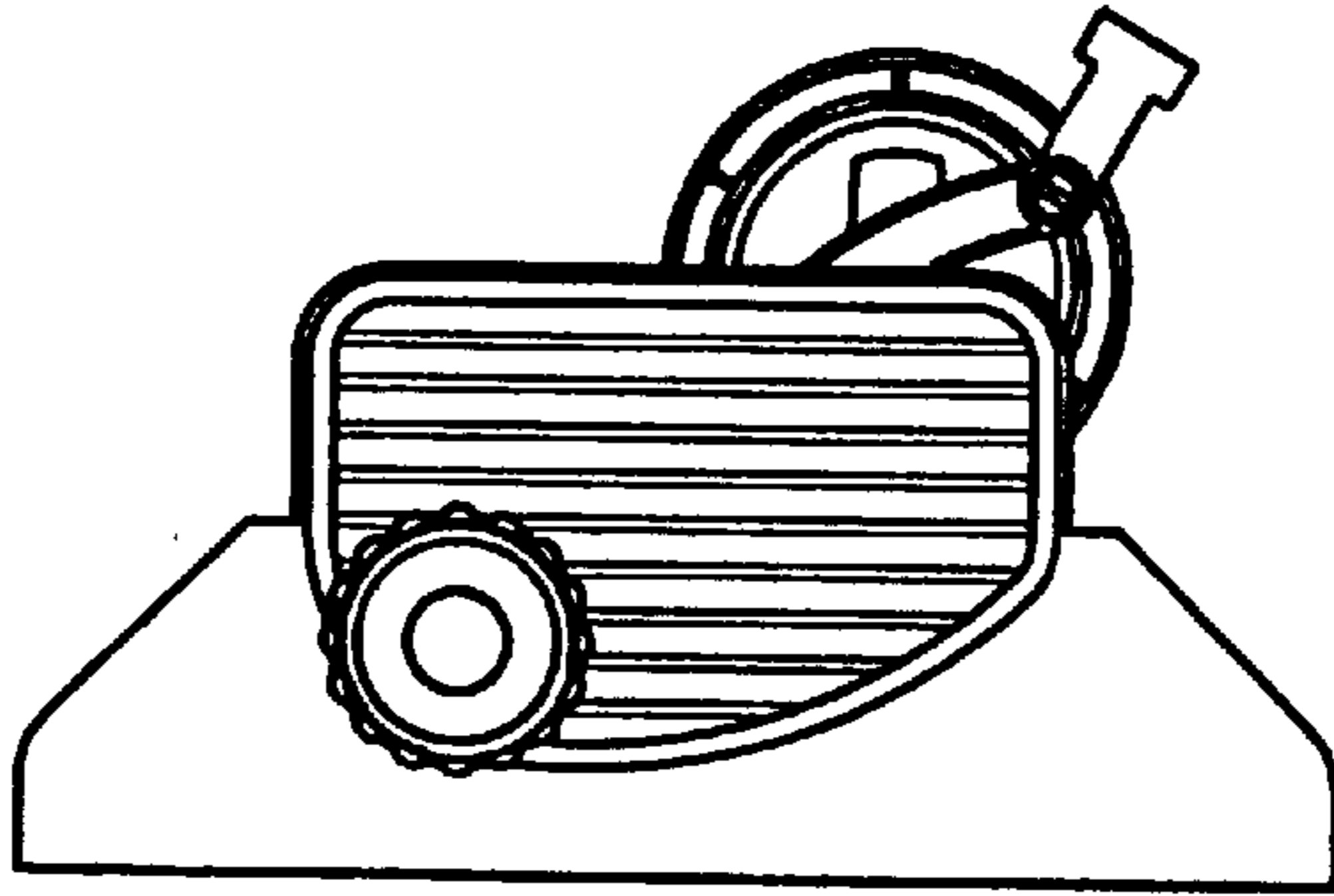


FIG. 4

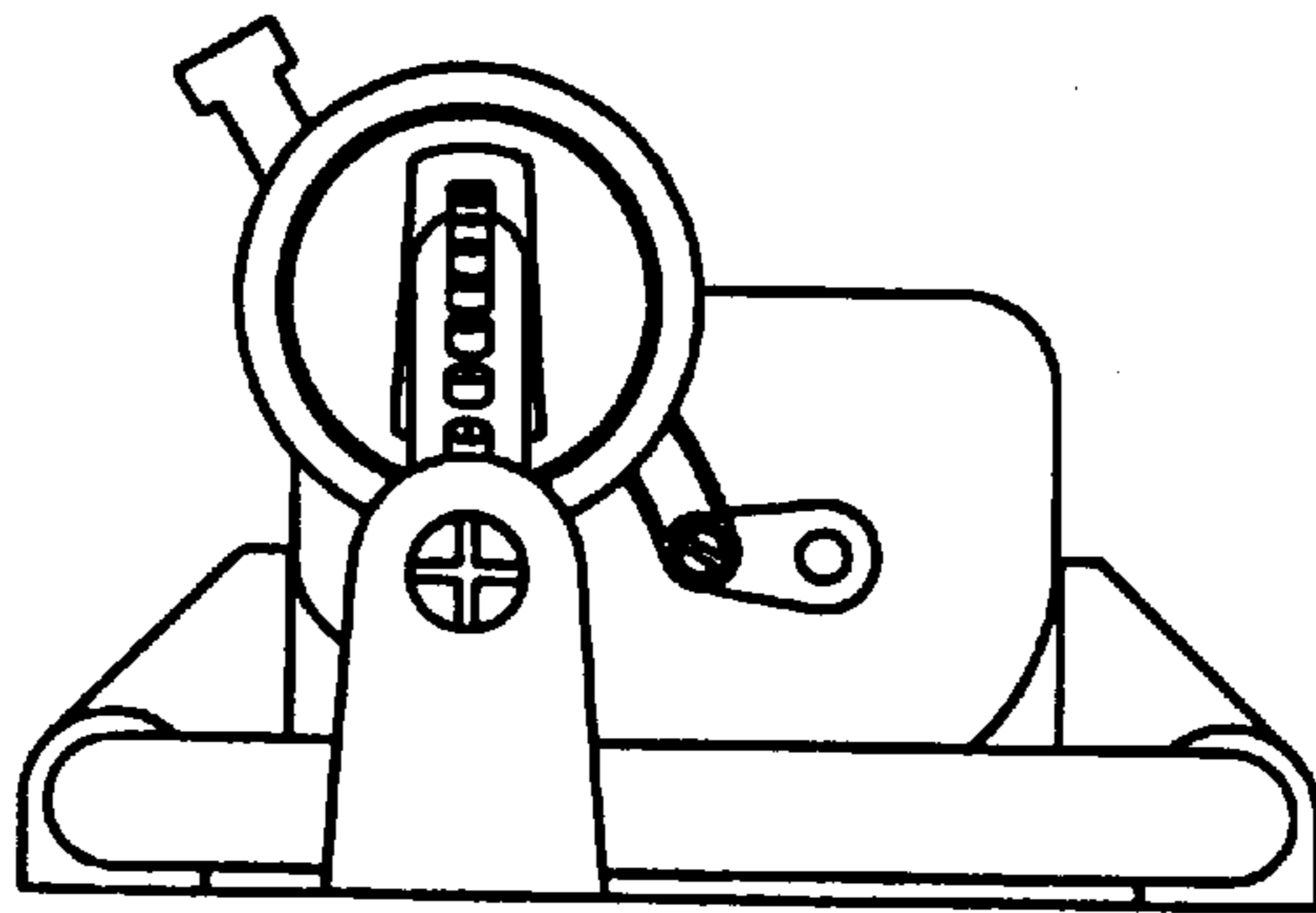


FIG. 5

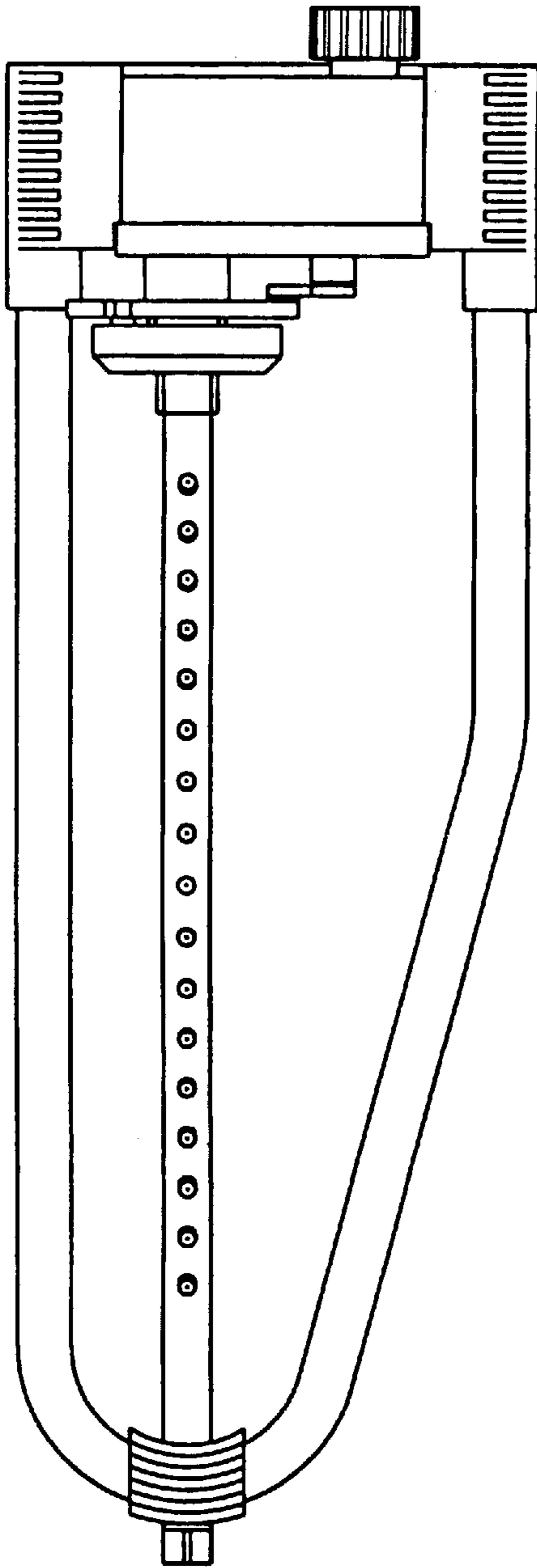


FIG. 6

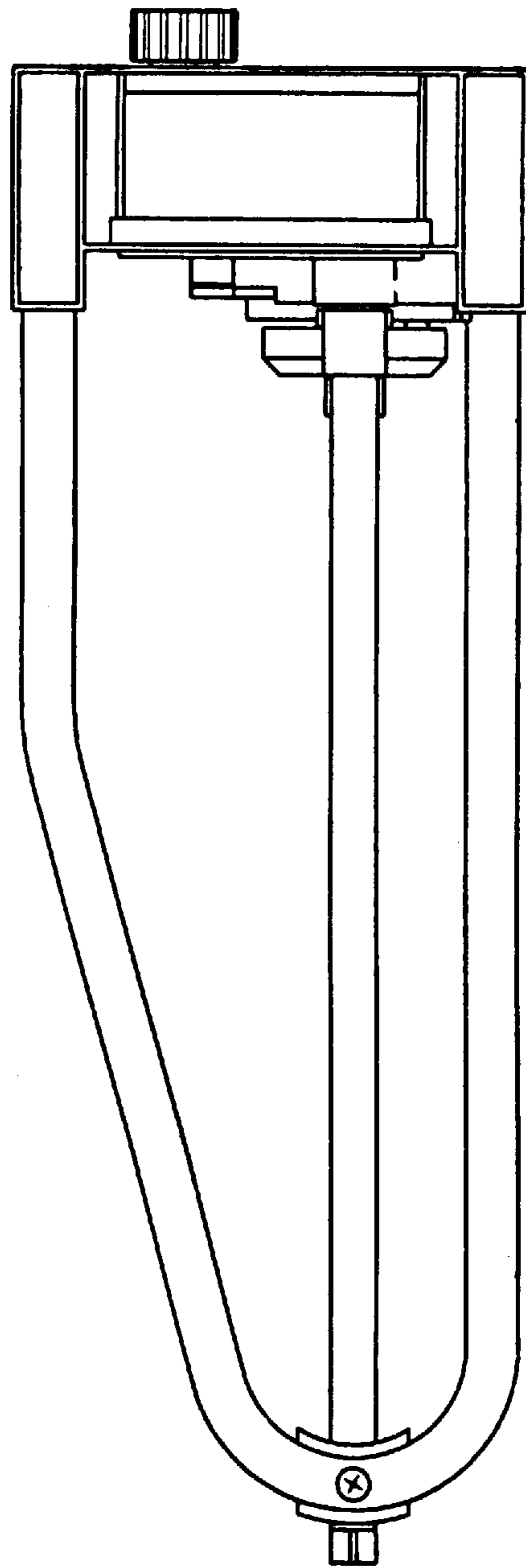


FIG. 7