



US00D398951S

United States Patent [19] Young

[11] **Patent Number: Des. 398,951**

[45] **Date of Patent: **Sep. 29, 1998**

[54] **TANK CONTAINER**

[76] **Inventor: Patrick Albert Young, Box 39, Monte Lake, British Columbia, Canada, V0E 2N0**

[**] **Term: 14 Years**

[21] **Appl. No.: 70,847**

[22] **Filed: May 15, 1997**

[30] **Foreign Application Priority Data**

Nov. 15, 1996 [CA] Canada 1996-2607

[51] **LOC (6) Cl. 23-01**

[52] **U.S. Cl. D23/202**

[58] **Field of Search D23/202, 203, D23/205; 220/4.12, 4.13, 565, 567**

[56] **References Cited**

U.S. PATENT DOCUMENTS

D. 51,545 12/1917 Blake D23/202
D. 228,459 9/1973 Estes et al. D23/202

D. 244,449 5/1977 Kerr et al. D23/202
D. 347,257 5/1994 McGrew D23/202
5,361,929 11/1994 McLain et al. 220/4.12
5,555,999 9/1996 Wilcox 220/565

Primary Examiner—Alan P. Douglas
Assistant Examiner—Robin V. Taylor
Attorney, Agent, or Firm—Klarquist Sparkman Campbell Leigh & Winston, LLP

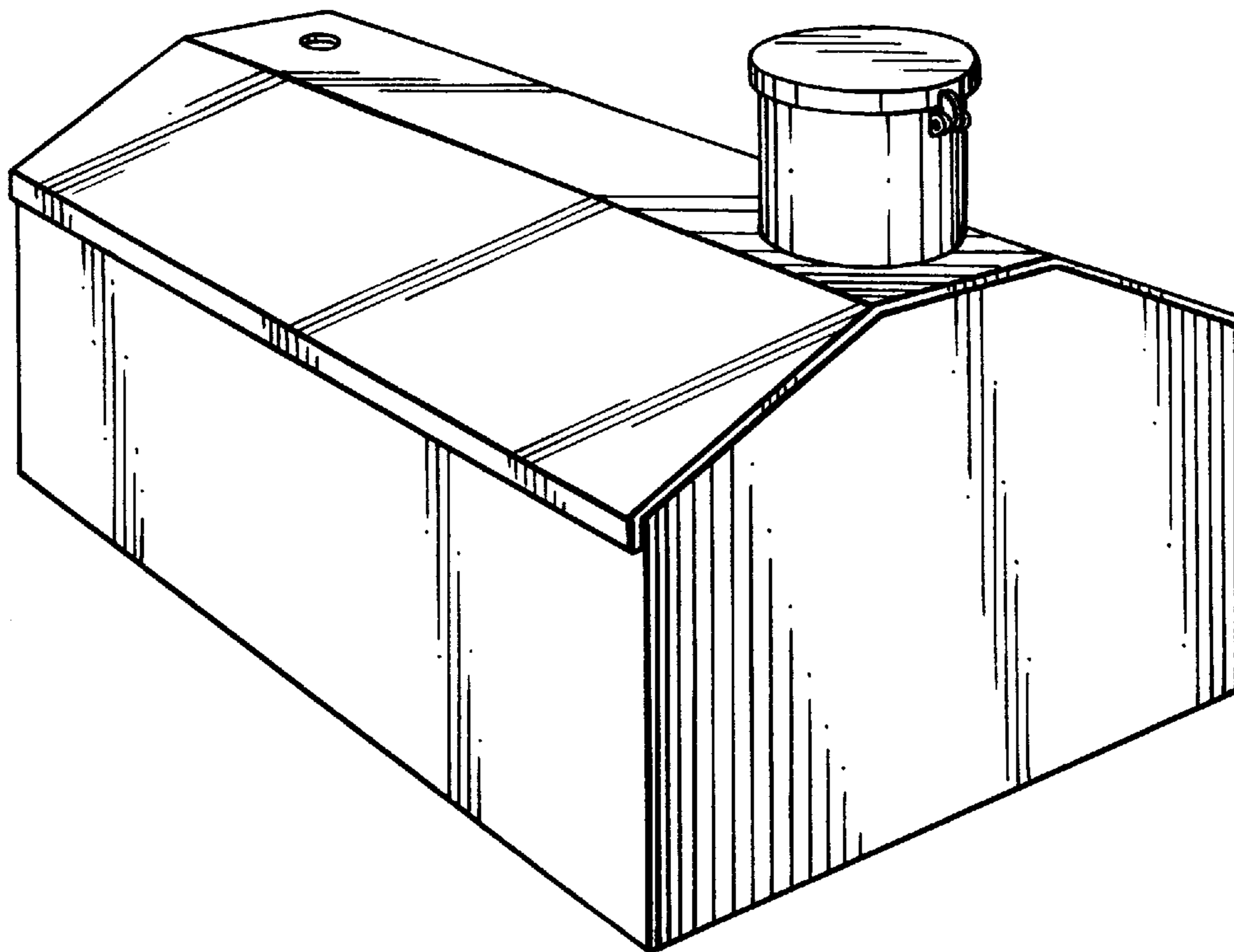
[57] **CLAIM**

The ornamental design for a tank container, as shown and described.

DESCRIPTION

FIG. 1 is a perspective view of a tank container embodying the design;
FIG. 2 is a top plan view thereof;
FIG. 3 is a side elevational view thereof;
FIG. 4 is bottom plan view thereof;
FIG. 5 is a front end view thereof; and,
FIG. 6 is a rear end view thereof.

1 Claim, 3 Drawing Sheets



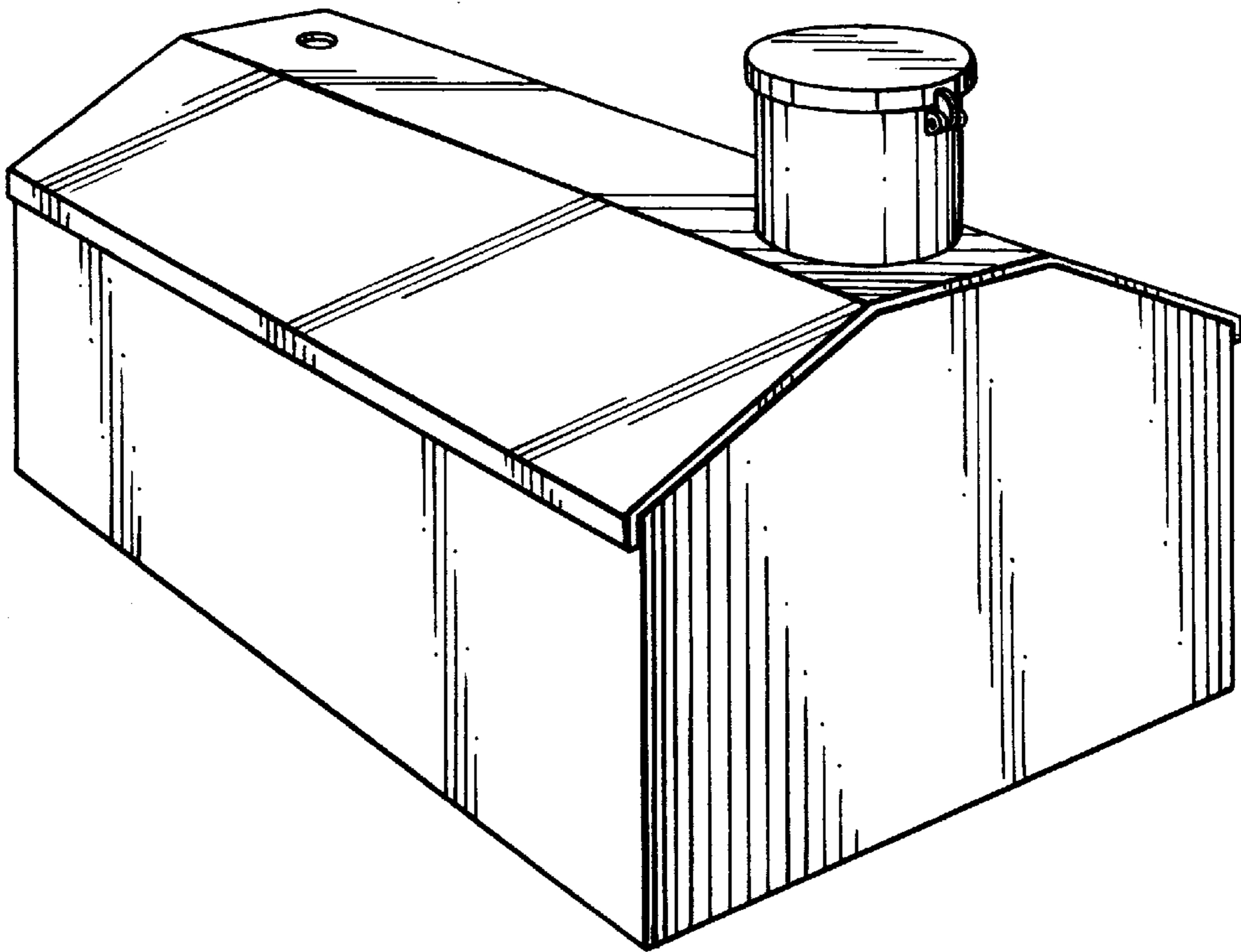


FIG. 1

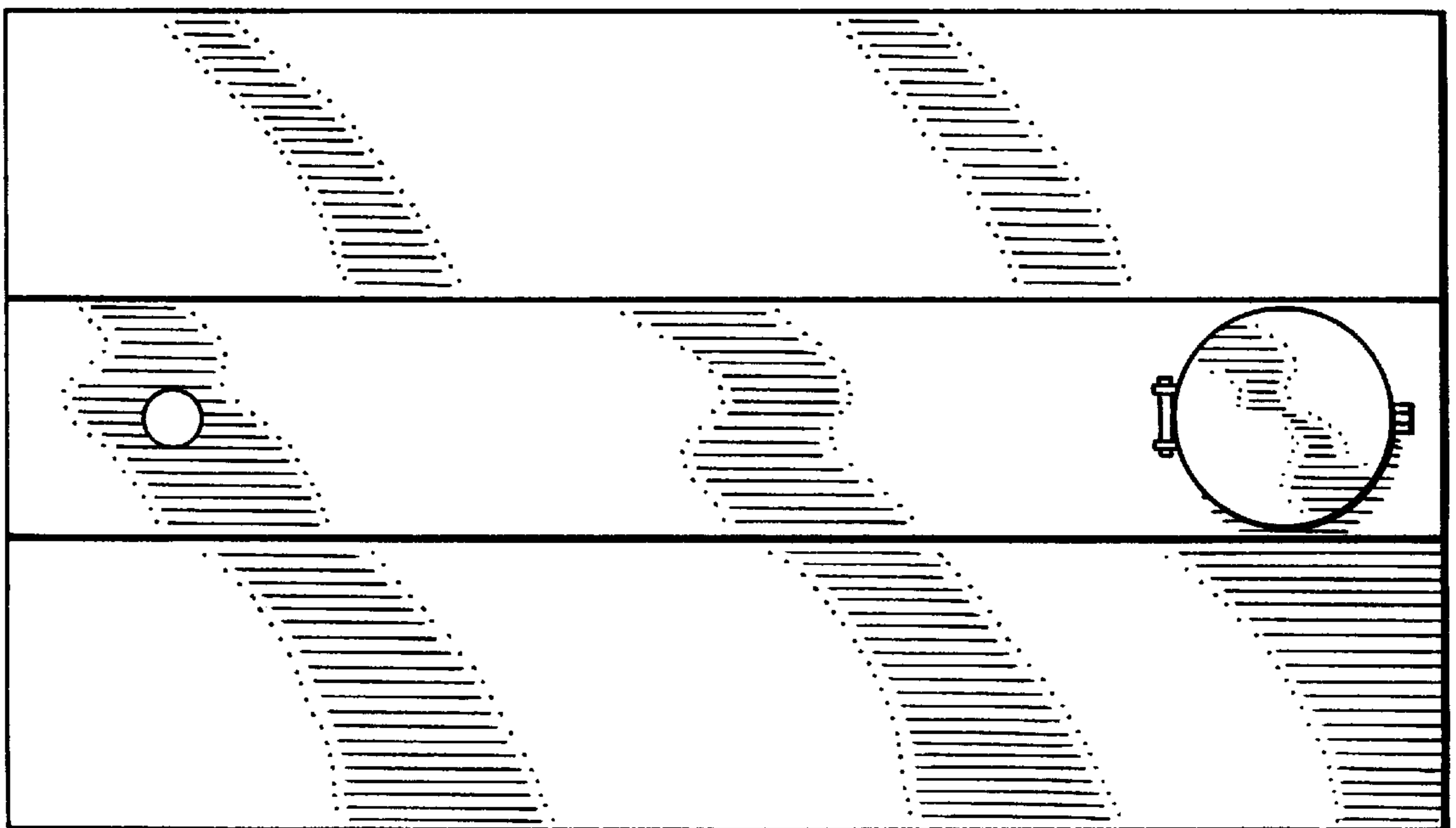


FIG. 2

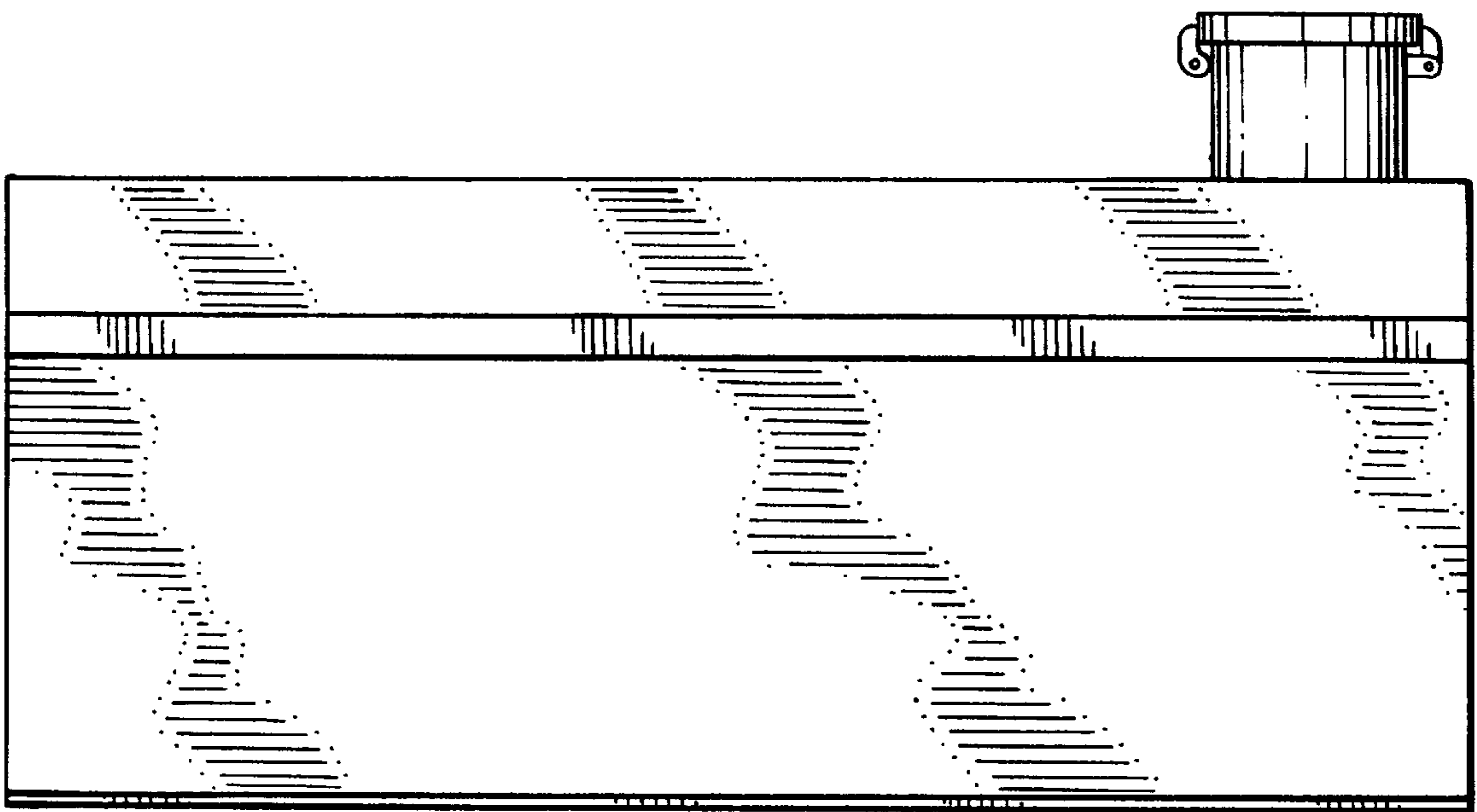


FIG. 3

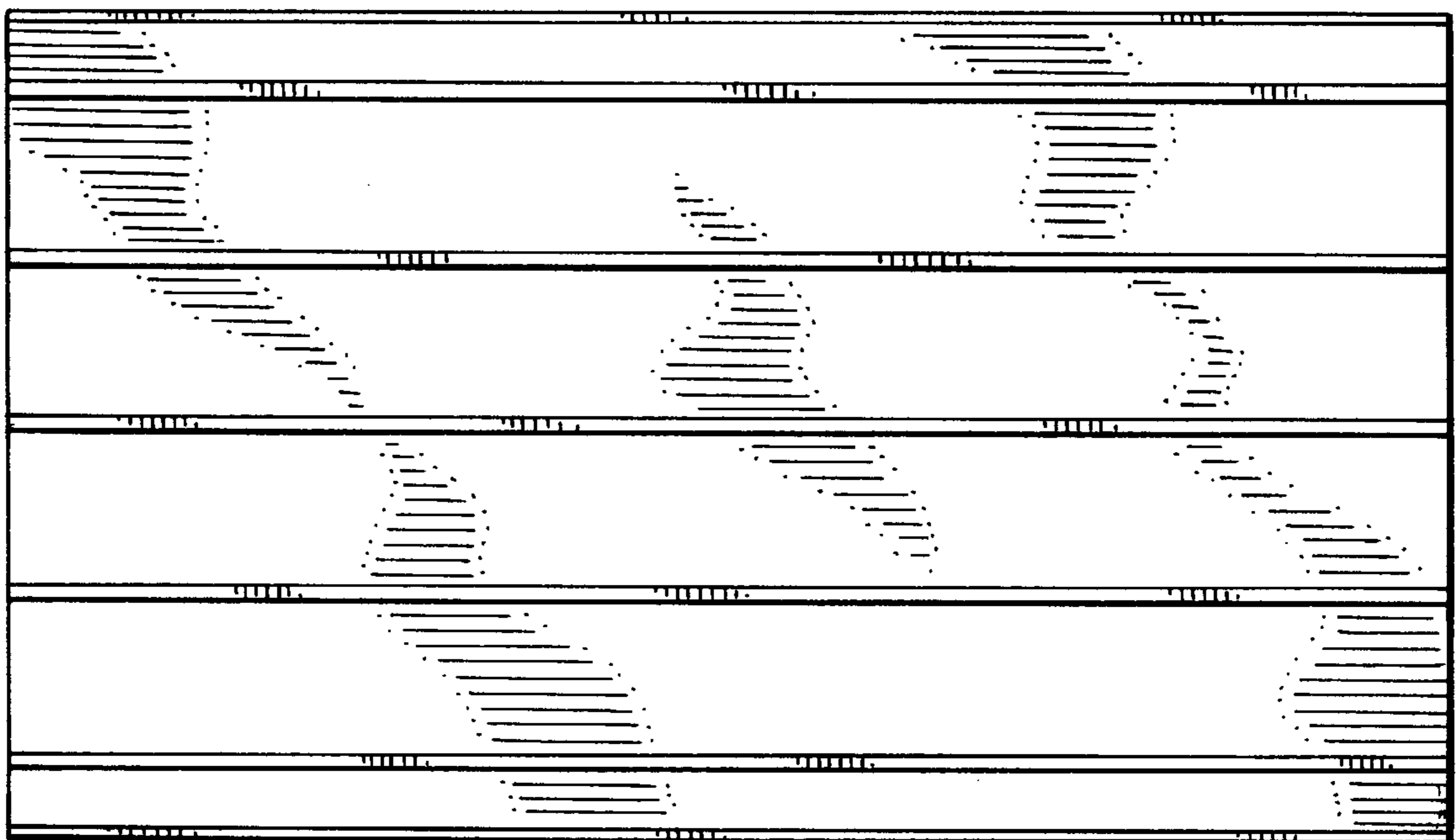


FIG. 4

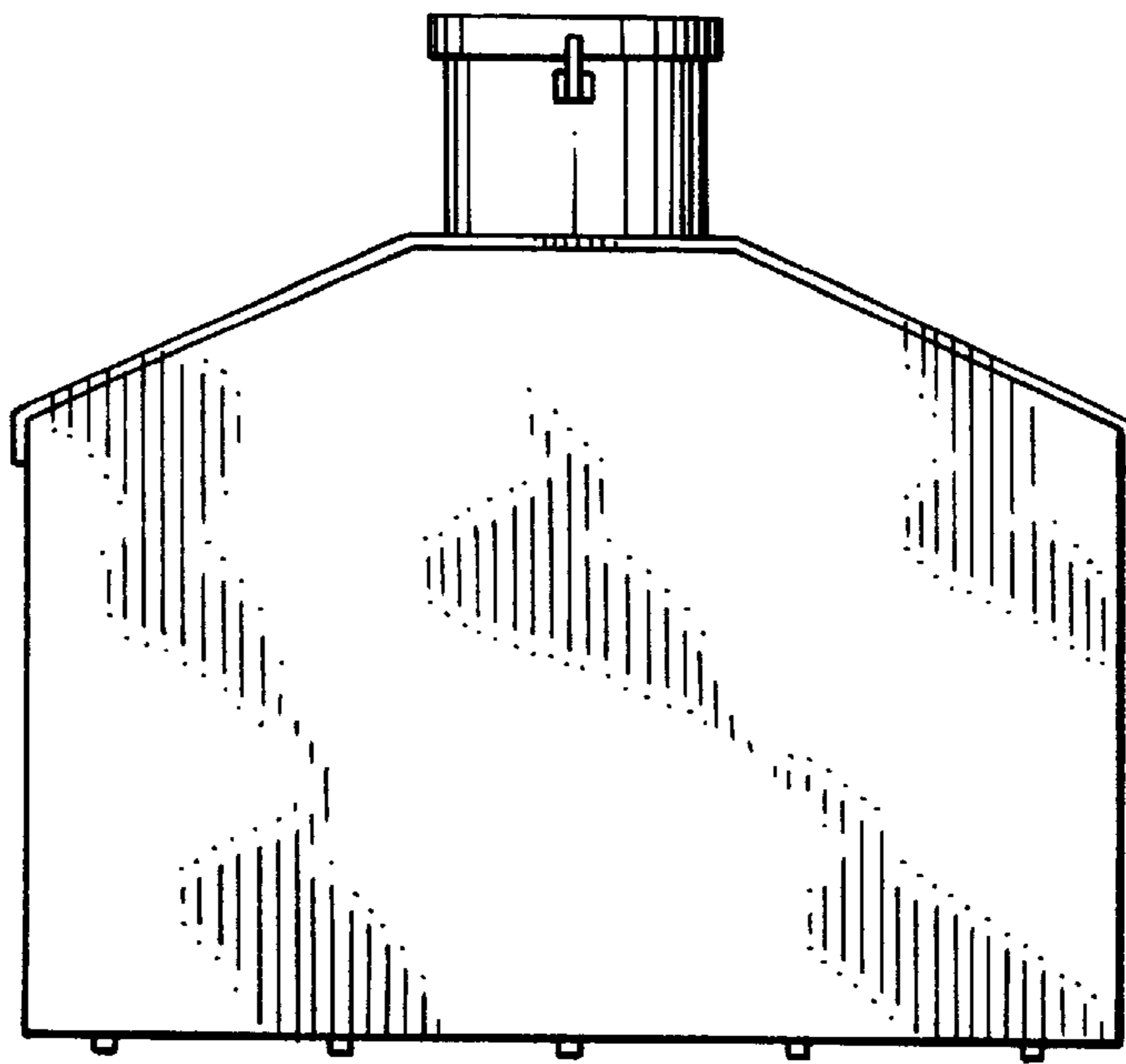


FIG. 5

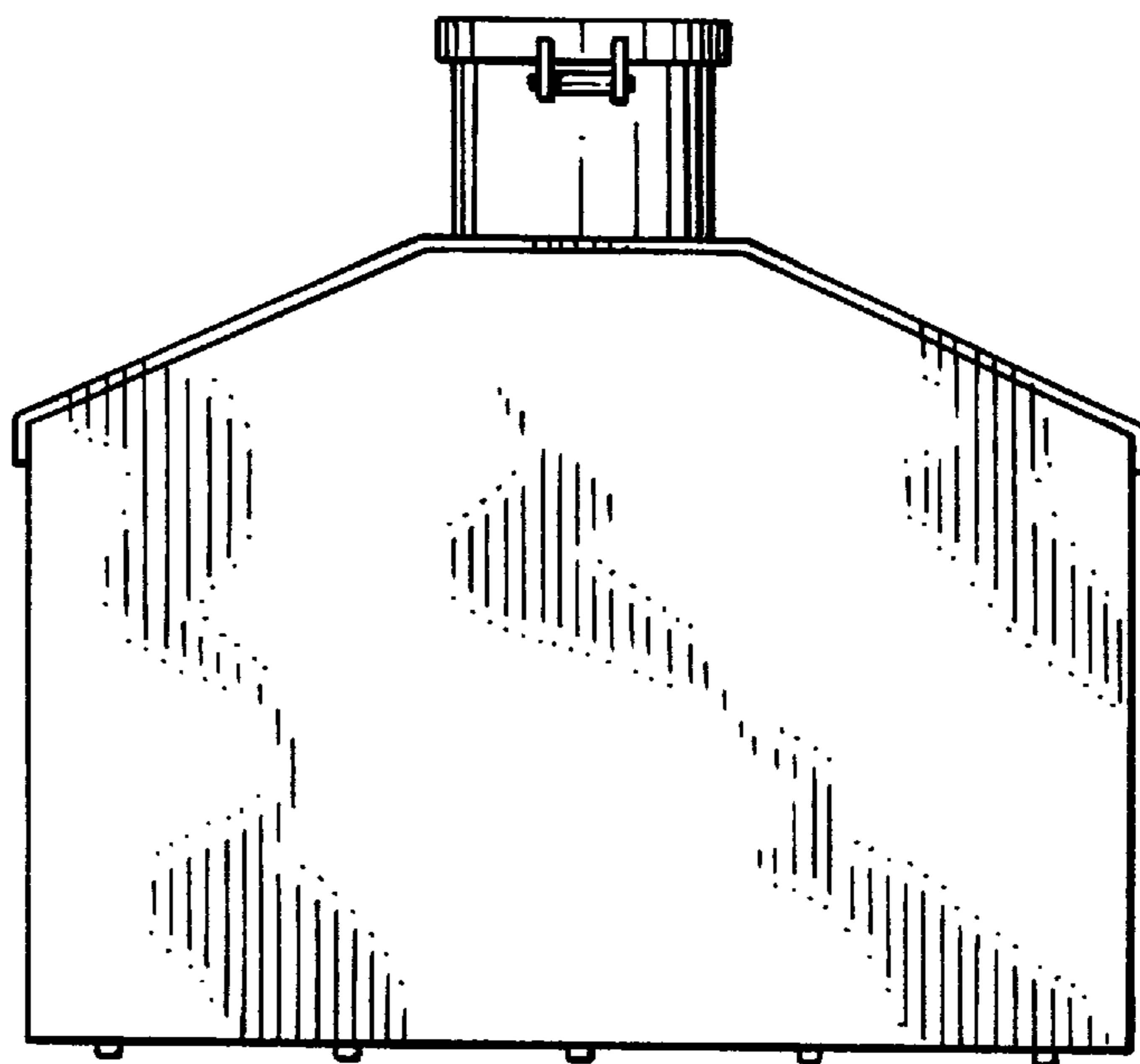


FIG. 6