



US00D398949S

# United States Patent [19] Franks

[11] **Patent Number: Des. 398,949**

[45] **Date of Patent: \*\*Sep. 29, 1998**

[54] **GUN AND SHELL HOLDER**

4,144,971 3/1979 Balibrea ..... 211/64

[76] Inventor: **M. Kerry Franks**, 947 Adams Rd.,  
West Point, Ga. 31833

*Primary Examiner*—Louis S. Zarfes  
*Assistant Examiner*—Monica A. Weingart  
*Attorney, Agent, or Firm*—Christensen O'Connor Johnson  
& Kindness PLLC

[\*\*] Term: **14 Years**

[21] Appl. No.: **74,226**

[57] **CLAIM**

[22] Filed: **Jul. 29, 1997**

The ornamental design for a gun and shell holder, as shown  
and described.

[51] **LOC (6) Cl.** ..... **22-01**

**DESCRIPTION**

[52] **U.S. Cl.** ..... **D22/108; D22/100; D22/199**

[58] **Field of Search** ..... D22/100, 108,  
D22/199; D6/417, 487, 552; 211/32, 64;  
248/156, 175, 530; 42/94

FIG. 1 is a perspective view of my new gun and shell holder;  
FIG. 2 is a front view thereof;  
FIG. 3 is a rear view thereof;  
FIG. 4 is a right side view thereof;  
FIG. 5 is a left side view thereof;  
FIG. 6 is a top view thereof; and,  
FIG. 7 is a bottom view thereof.

[56] **References Cited**

**U.S. PATENT DOCUMENTS**

D. 286,591	11/1986	Russell	.....	D6/417
D. 314,287	2/1991	Albright, Sr.	.....	D6/417
D. 358,628	5/1995	Lenori	.....	D22/108
D. 363,849	11/1995	Bruns et al.	.....	D6/552
3,108,723	10/1963	Hickey	.....	211/32

FIGS. 2-5 have been shown broken away for ease of  
illustration. FIGS. 2-7 have been shown on an enlarged  
scale.

**1 Claim, 6 Drawing Sheets**

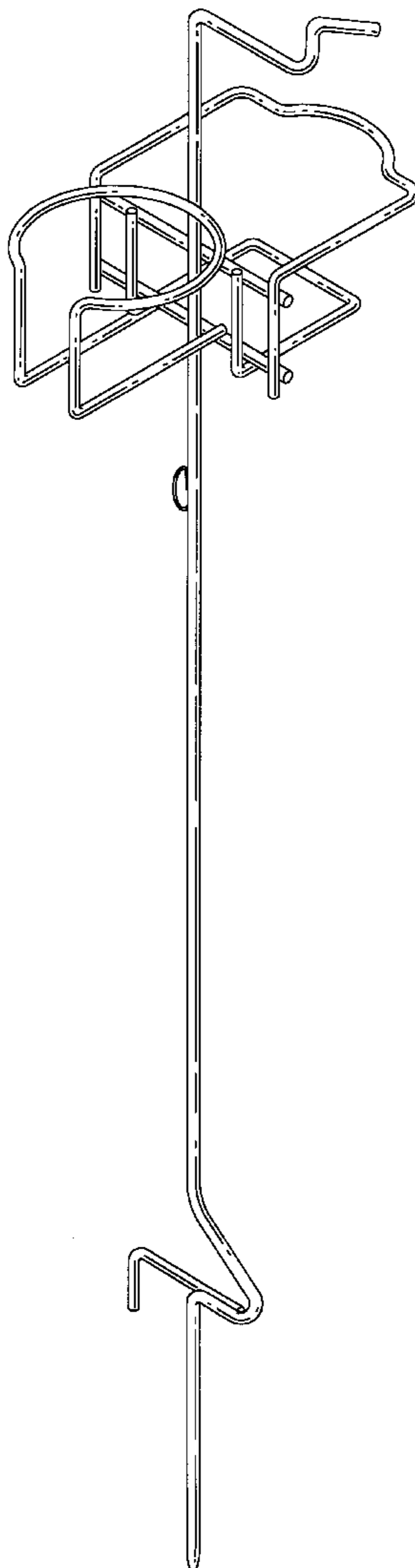


FIG. 1

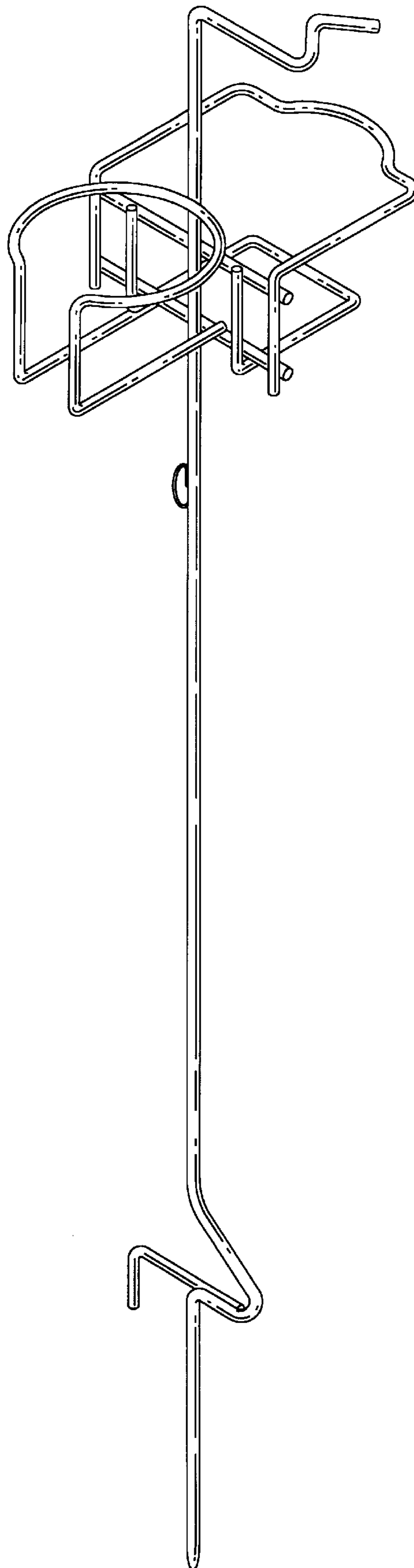


FIG. 2

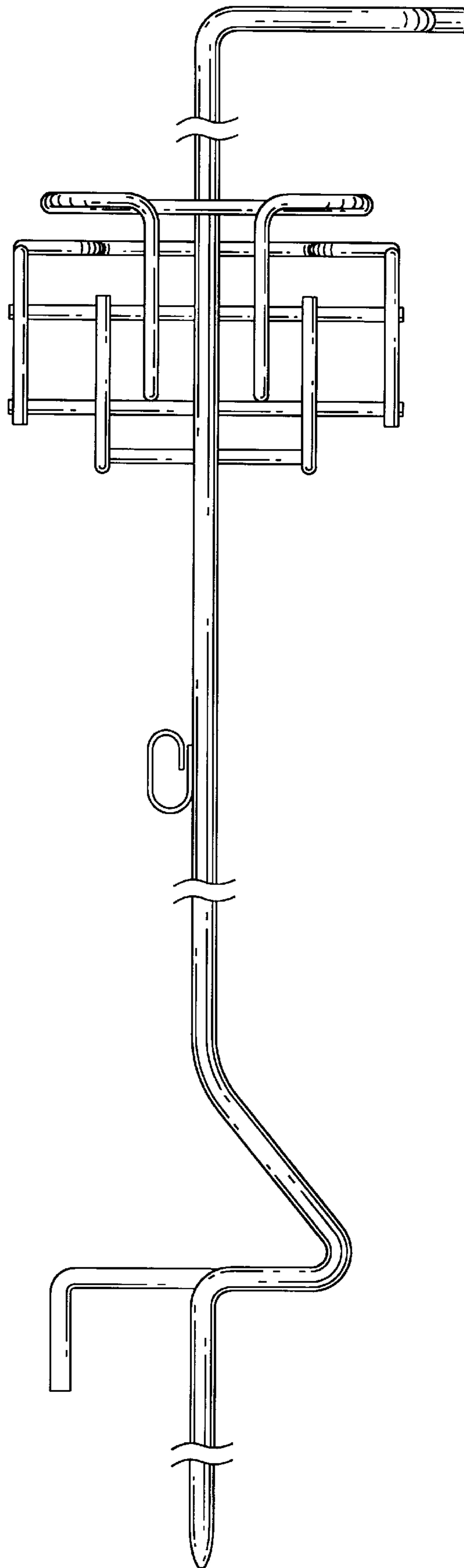


FIG. 3

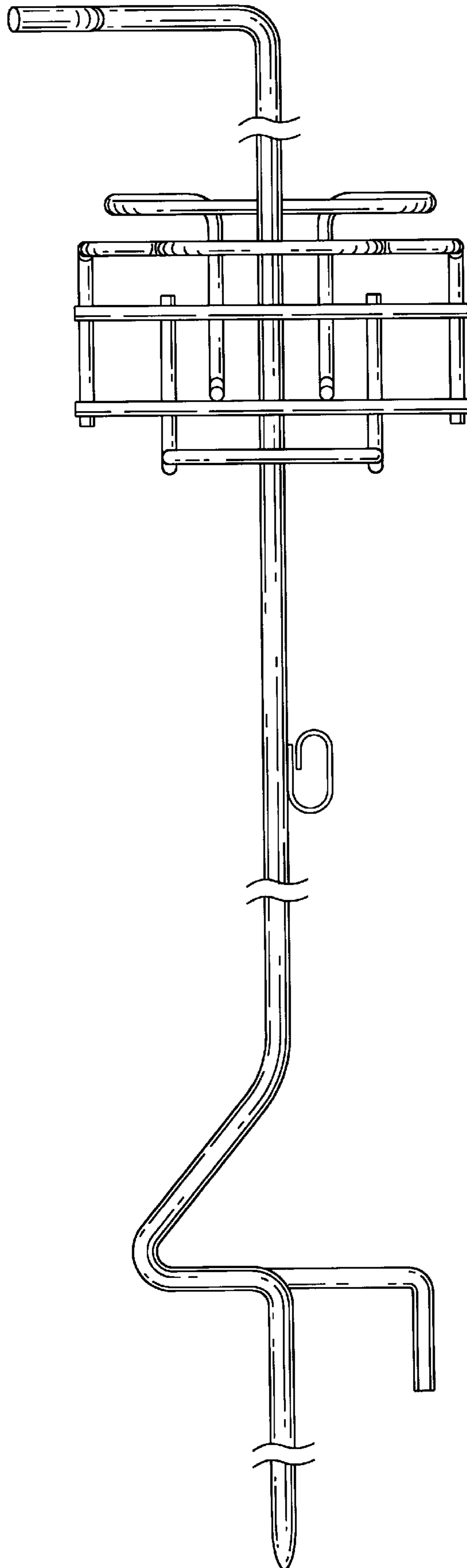


FIG. 4

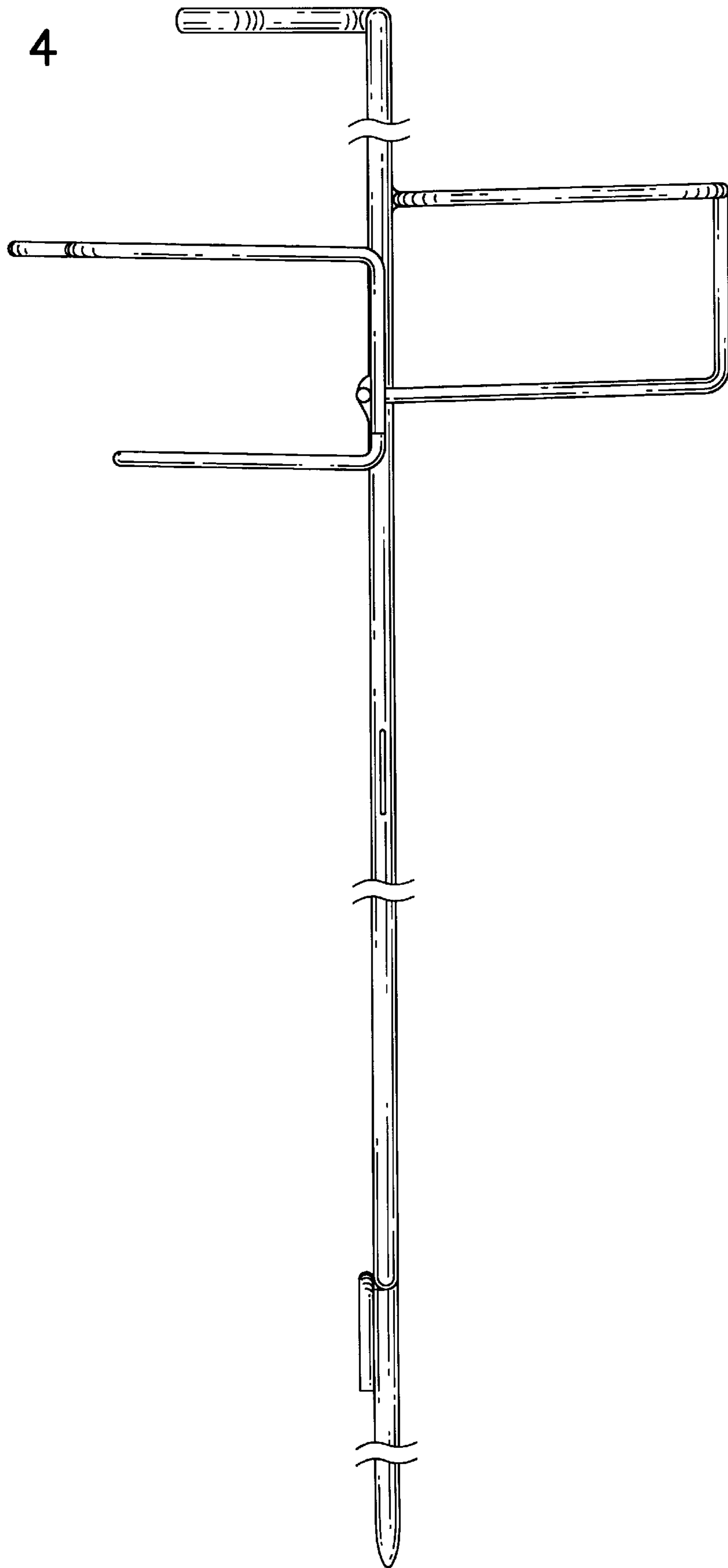


FIG. 5

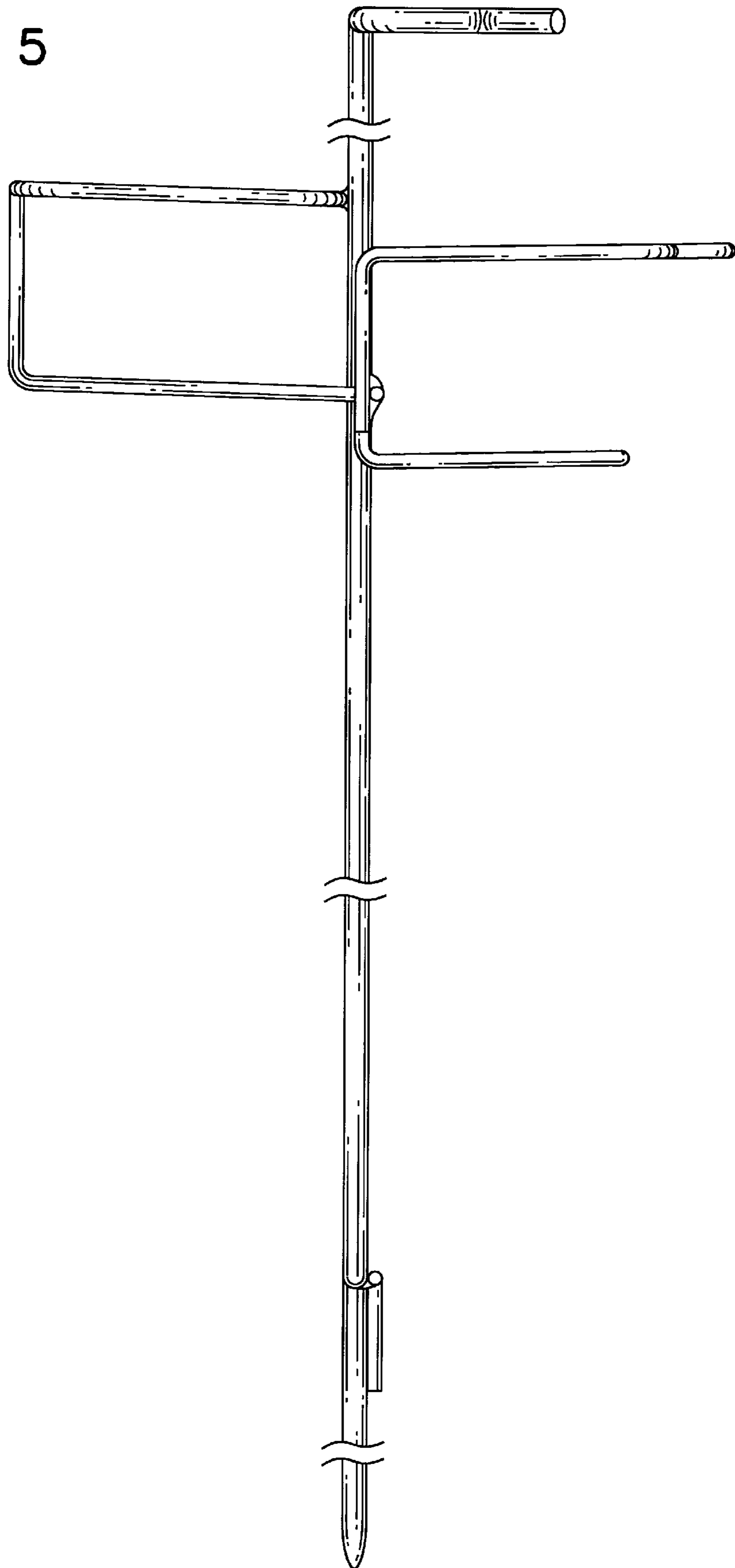


FIG. 6

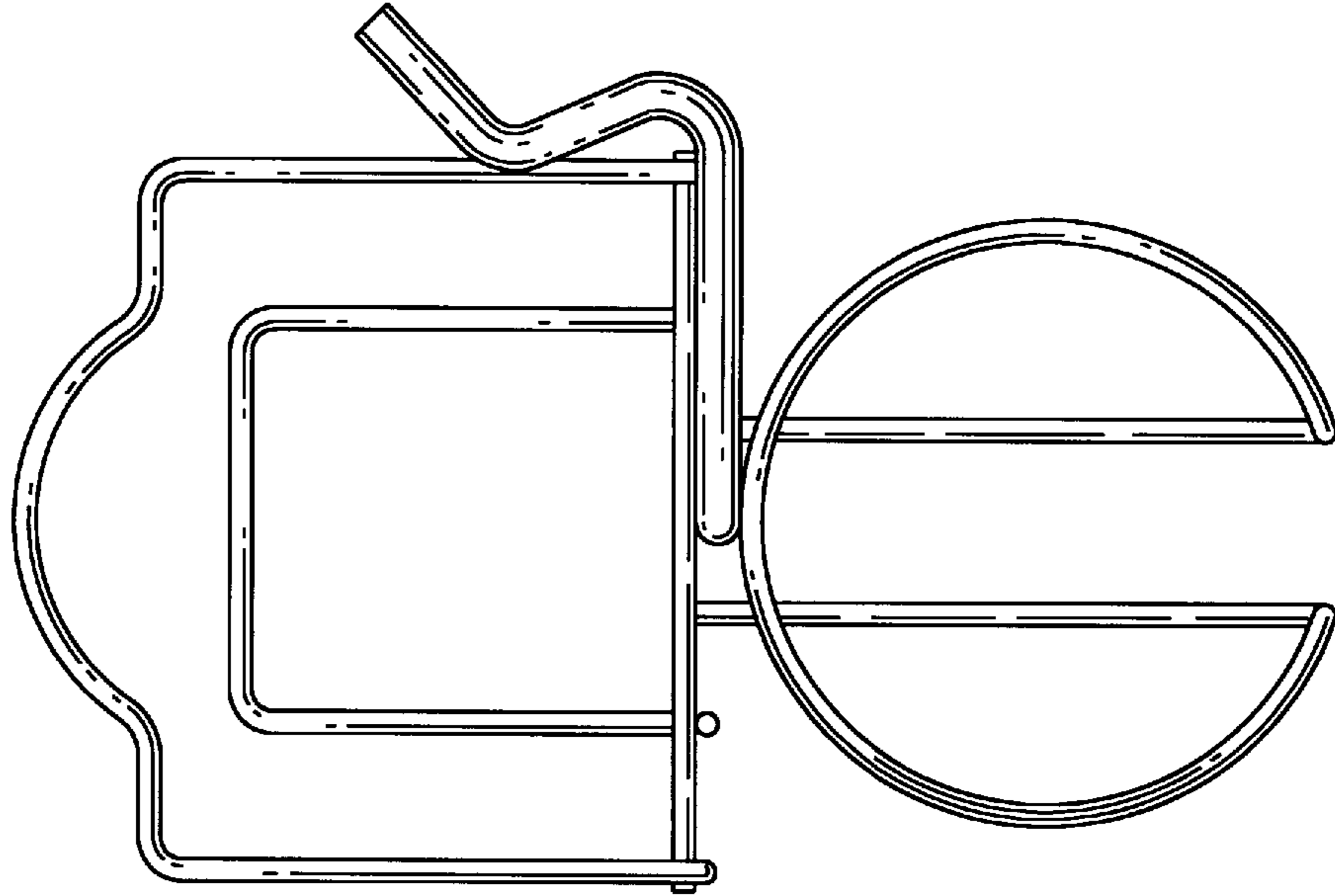


FIG. 7

