



US00D398947S

United States Patent [19]
Holladay et al.

[11] **Patent Number: Des. 398,947**
[45] **Date of Patent: **Sep. 29, 1998**

[54] **GOLF PUTTER CLUB HEAD**

D. 378,934 4/1997 Clanton D21/217

[76] Inventors: **Brice R. Holladay**, 741 Old Hickory Rd., Jacksonville, Fla. 32207; **Richard B. Hendrickson**, 8335 Freedom Crossing Trail, #4201, Jacksonville, Fla. 32256

Primary Examiner—Sandra L. Morris
Assistant Examiner—Mitchell I. Siegel
Attorney, Agent, or Firm—Thomas C. Saitta

[**] Term: **14 Years**

[57] **CLAIM**

The ornamental design for a golf putter club head, as shown and described.

[21] Appl. No.: **66,930**

DESCRIPTION

[22] Filed: **Feb. 21, 1997**

FIG. 1 is a left side view of the invention;
FIG. 2 is a right side view;
FIG. 3 is a rear view;
FIG. 4 is a front view;
FIG. 5 is a bottom view;
FIG. 6 is a top view; and,
FIG. 7 is a perspective view.

[51] **LOC (6) Cl.** **21-02**

[52] **U.S. Cl.** **D21/217**

[58] **Field of Search** D21/217-220;
473/341, 340, 251-256

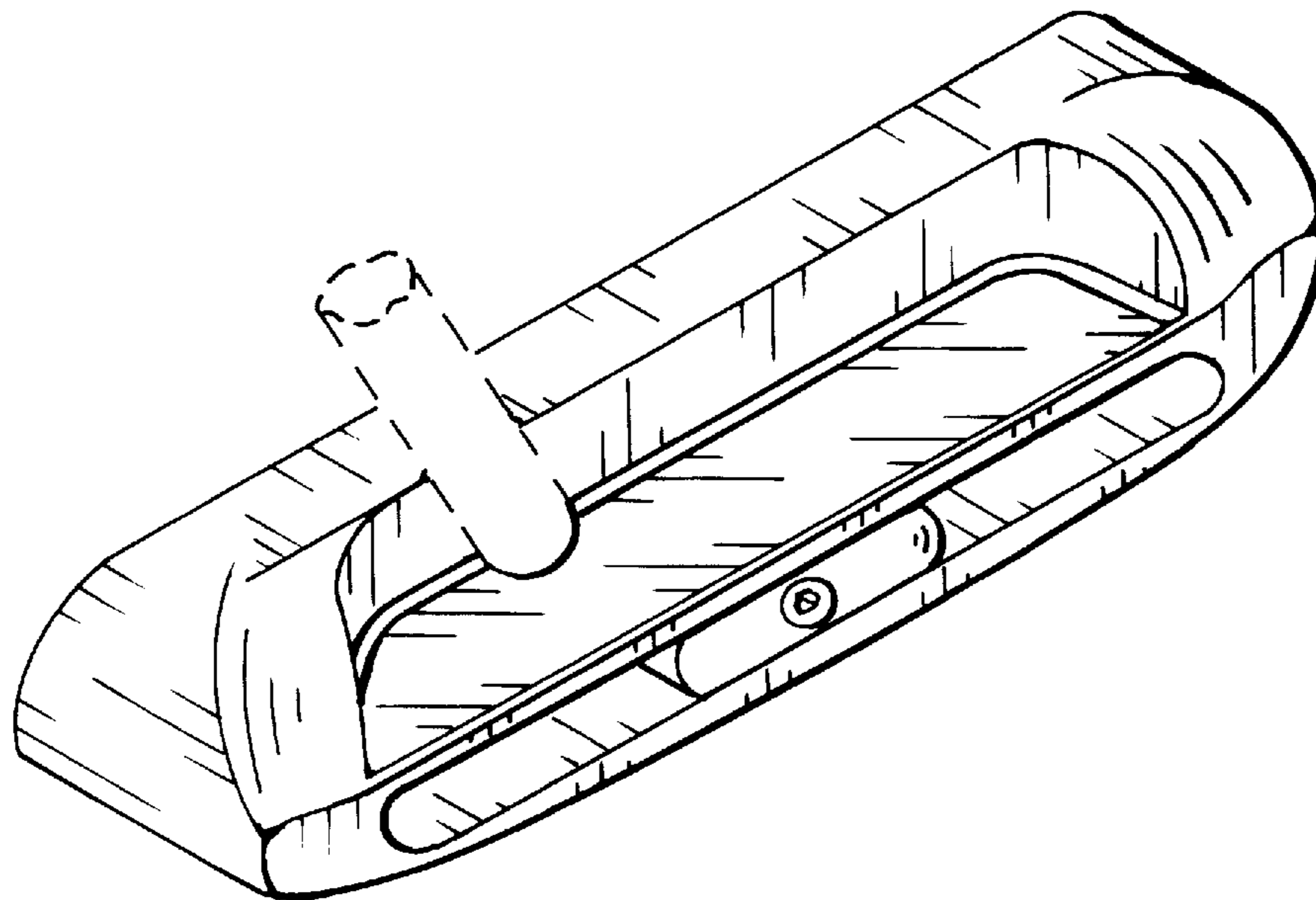
The broken line showing of the fragmented shaft is for illustrative purposes only and forms no part of the claimed design.

[56] **References Cited**

U.S. PATENT DOCUMENTS

D. 326,131 5/1992 Antonious D21/217
D. 371,182 6/1996 Stites D21/220

1 Claim, 3 Drawing Sheets



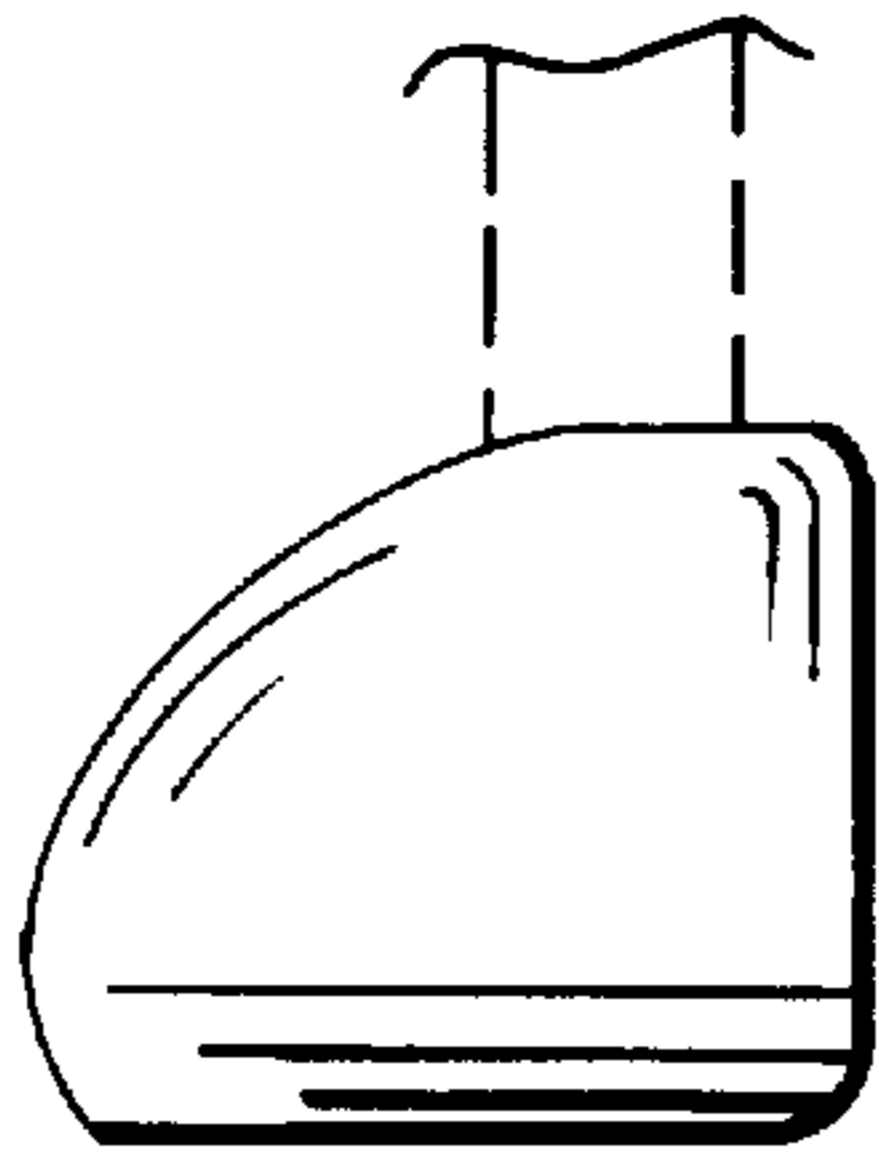


FIG. 1

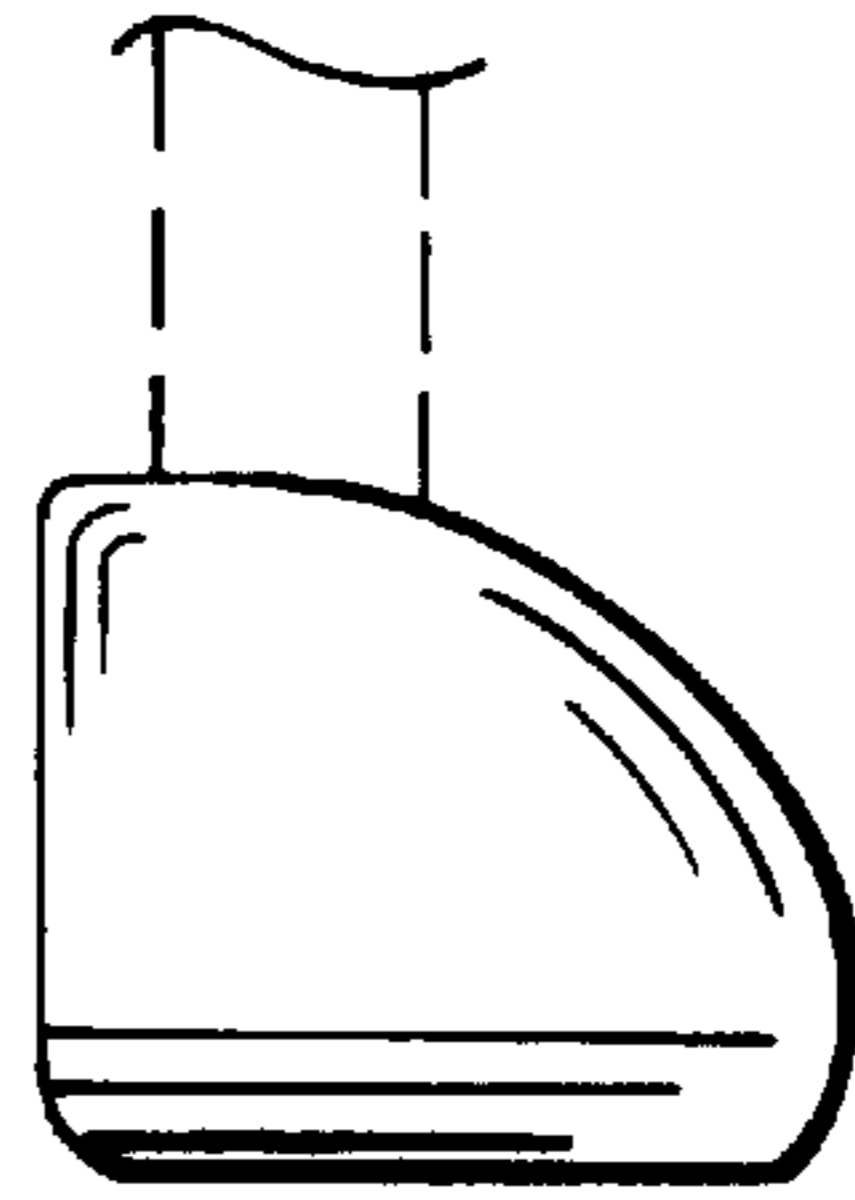


FIG. 2

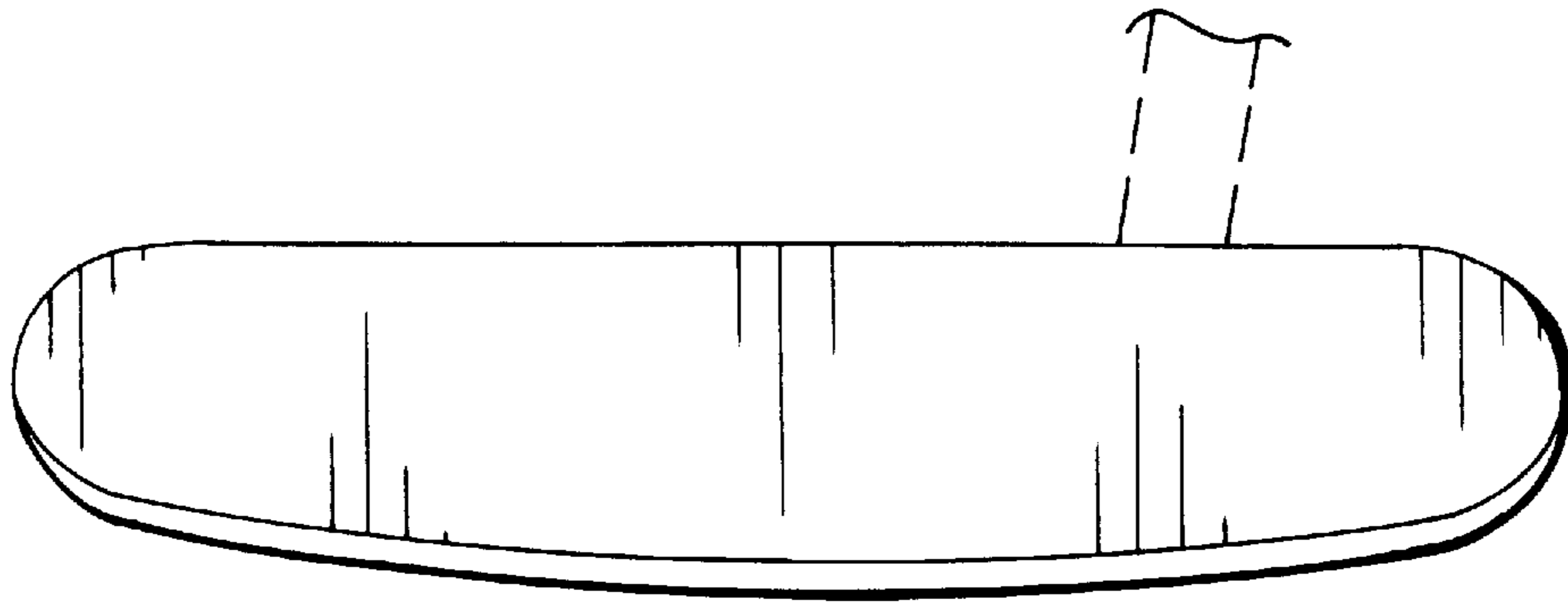


FIG. 4

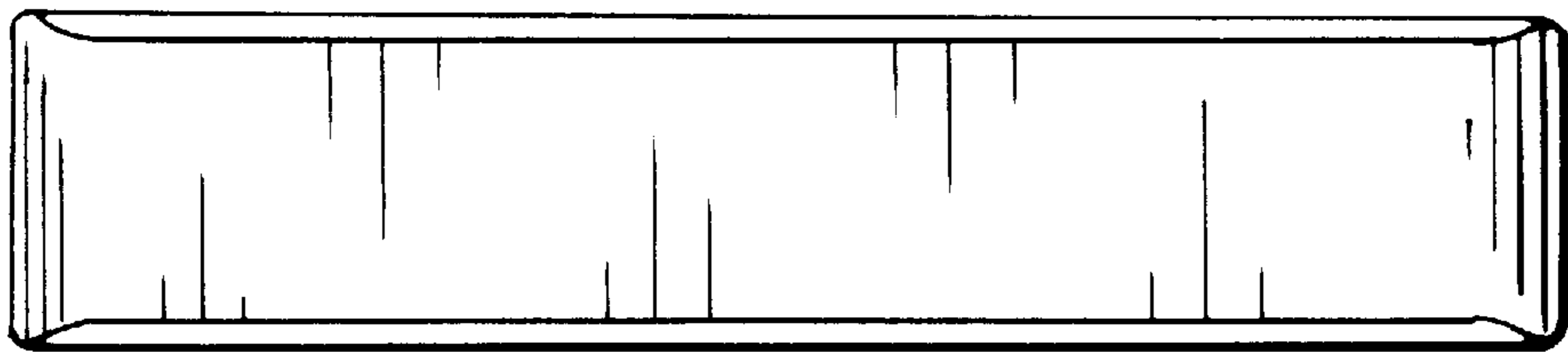


FIG. 5

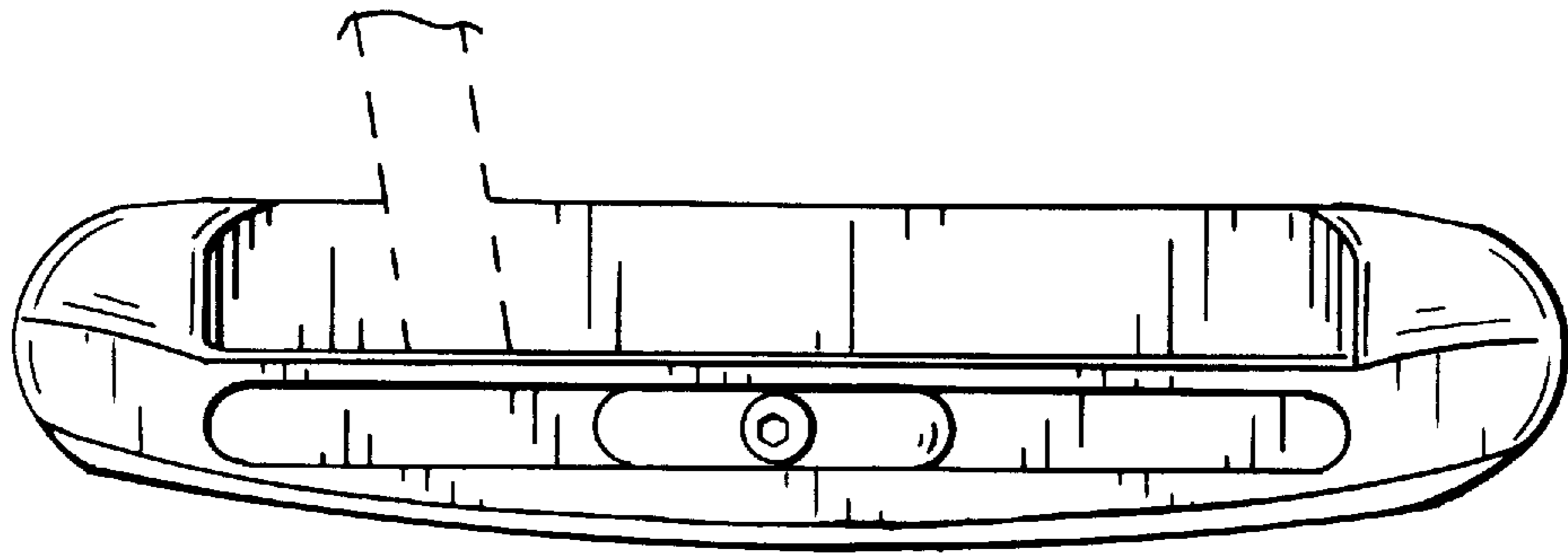


FIG. 3

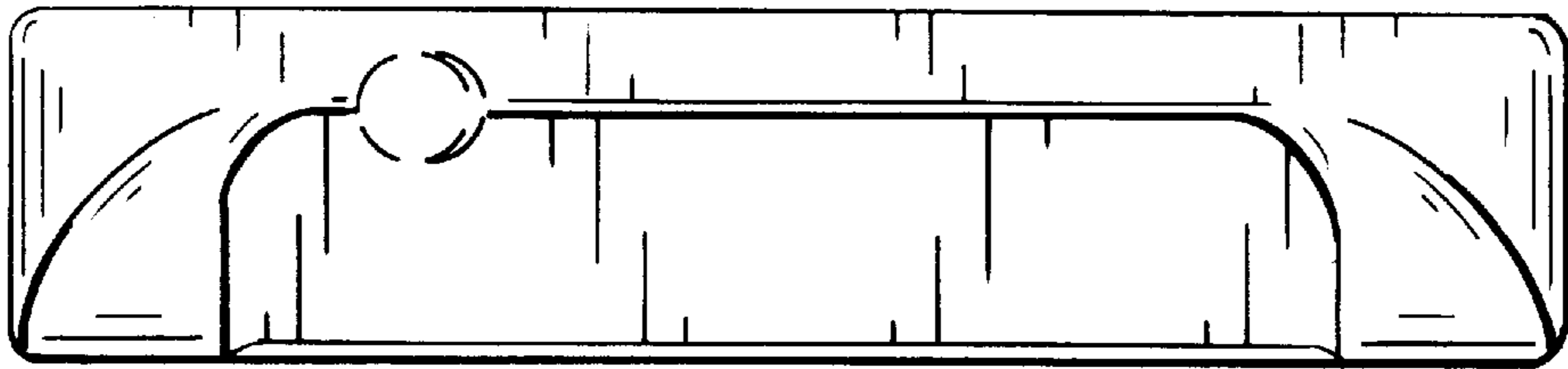


FIG. 6

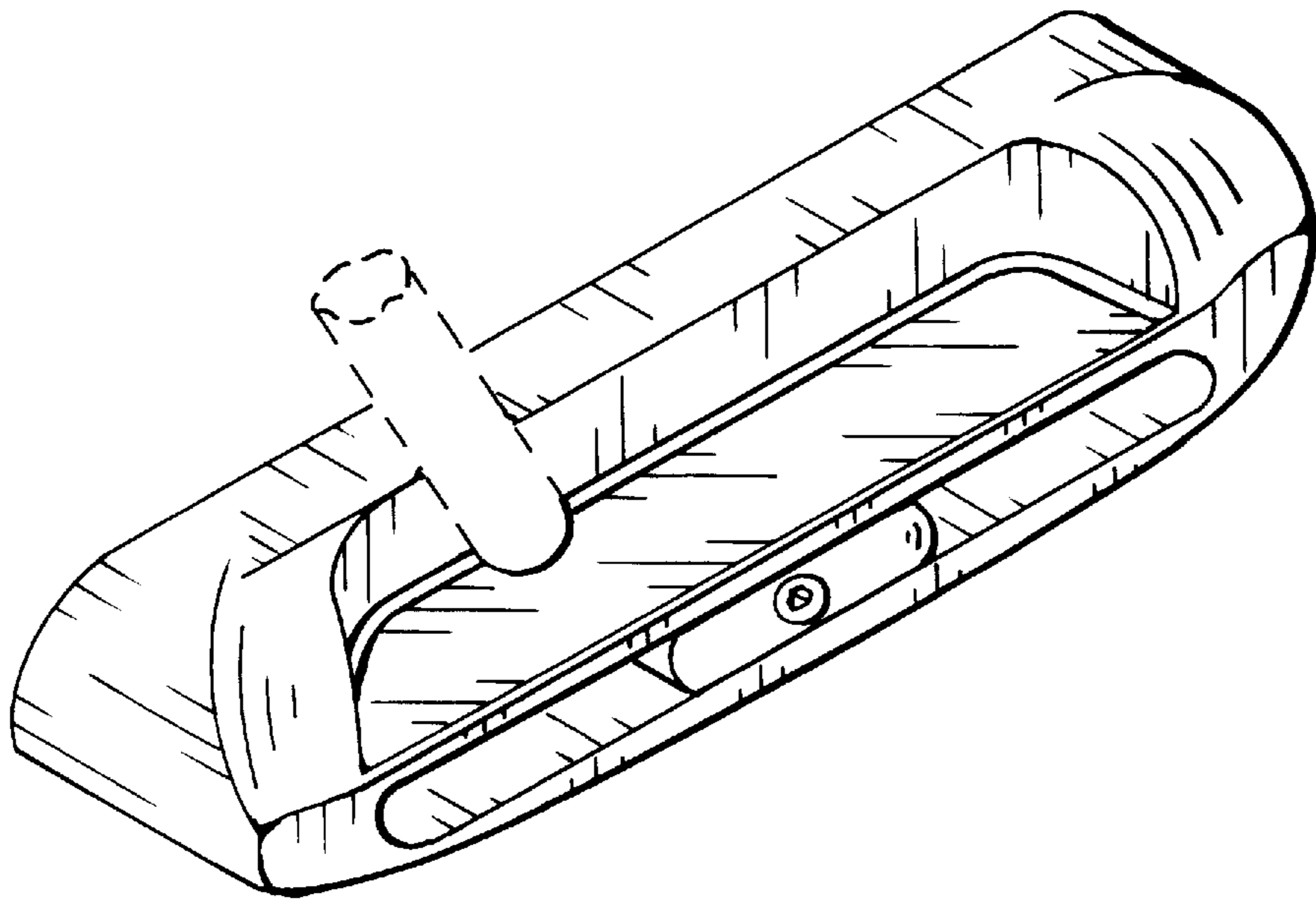


FIG. 7