



US00D398937S

# United States Patent [19] Spikes

[11] Patent Number: **Des. 398,937**

[45] Date of Patent: **\*\*Sep. 29, 1998**

[54] **CATAPULT TOY**

3,394,691 7/1968 Brink ..... 124/7  
3,638,633 2/1972 Clark ..... 124/4

[76] Inventor: **Michael D. Spikes**, 505 SE. Vera,  
Corvallis, Oreg. 97333

*Primary Examiner*—Prabhakar G. Deshmukh  
*Attorney, Agent, or Firm*—Kolisch, Hartwell, Dickinson,  
McCormack & Heuser

[\*\*] Term: **14 Years**

[21] Appl. No.: **73,095**

### [57] CLAIM

[22] Filed: **Jun. 30, 1997**

The ornamental design for catapult toy, as shown and described.

[51] **LOC (6) Cl.** ..... **21-01**

### DESCRIPTION

[52] **U.S. Cl.** ..... **D21/2**

[58] **Field of Search** ..... D21/1, 2, 3, 7,  
D21/8, 11, 91; 273/317, 348, 351, 356,  
362, 390, 467; 124/4-9, 16, 20.1, 900

FIG. 1 is a perspective view of a catapult toy showing my new design;

FIG. 2 is a rear elevational view of my design shown in FIG. 1;

FIG. 3 is a front elevational view of my design shown in FIG. 1;

FIG. 4 is a side elevational view of my design shown in FIG. 1;

FIG. 5 is a top plan view of my design shown in FIG. 1;

FIG. 6 is a bottom plan view of my design shown in FIG. 1;

FIG. 7 is perspective view showing a second embodiment of my design; and,

FIG. 8 is a side elevational view of my design shown in FIG. 7.

### [56] References Cited

#### U.S. PATENT DOCUMENTS

D. 138,093	6/1944	Schlitz	.....	D21/2
D. 328,764	8/1992	Klitsner	.....	D21/2
D. 366,283	1/1996	Fenandes	.....	D21/2
D. 366,908	2/1996	Crennen	.....	D21/2
D. 368,280	3/1996	Brown	.....	D21/3
1,531,105	3/1925	Knowlton	.....	124/4
1,572,401	2/1926	McGrath	.....	D21/3 X
2,146,156	2/1939	Nicot et al.	.....	124/4
3,033,566	5/1962	Schmidt	.....	124/4 X

**1 Claim, 3 Drawing Sheets**

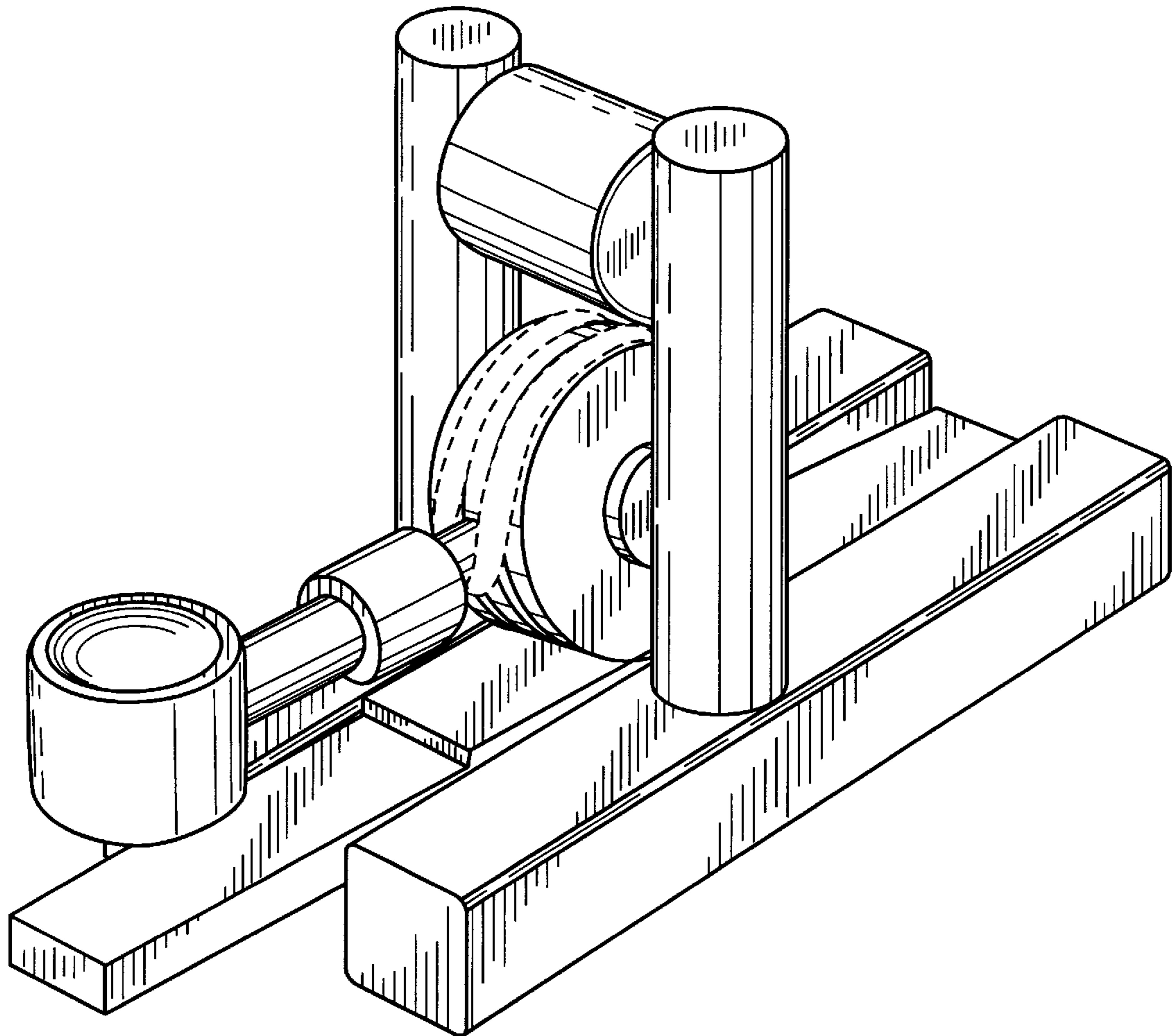


Fig. 1

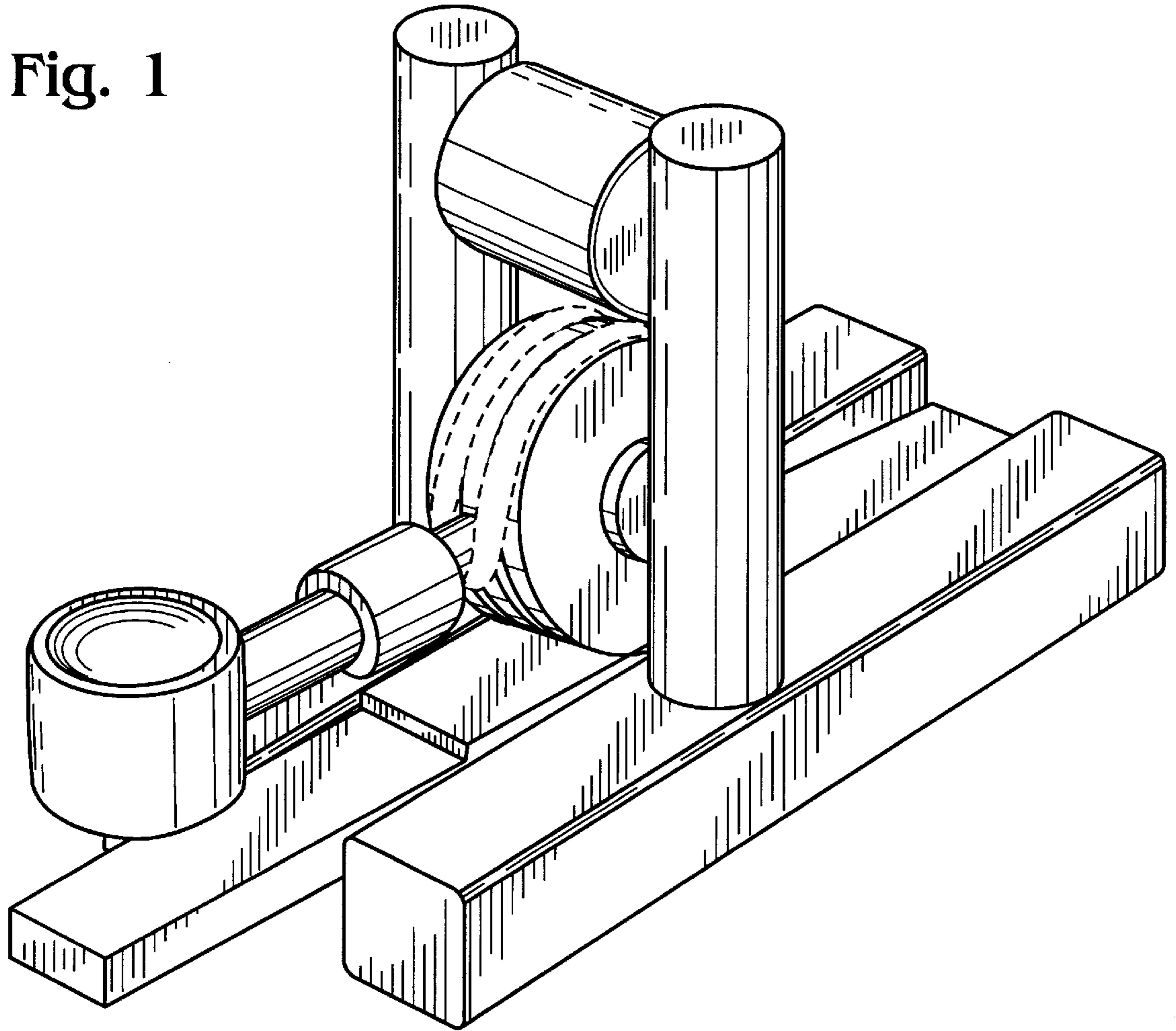


Fig. 2

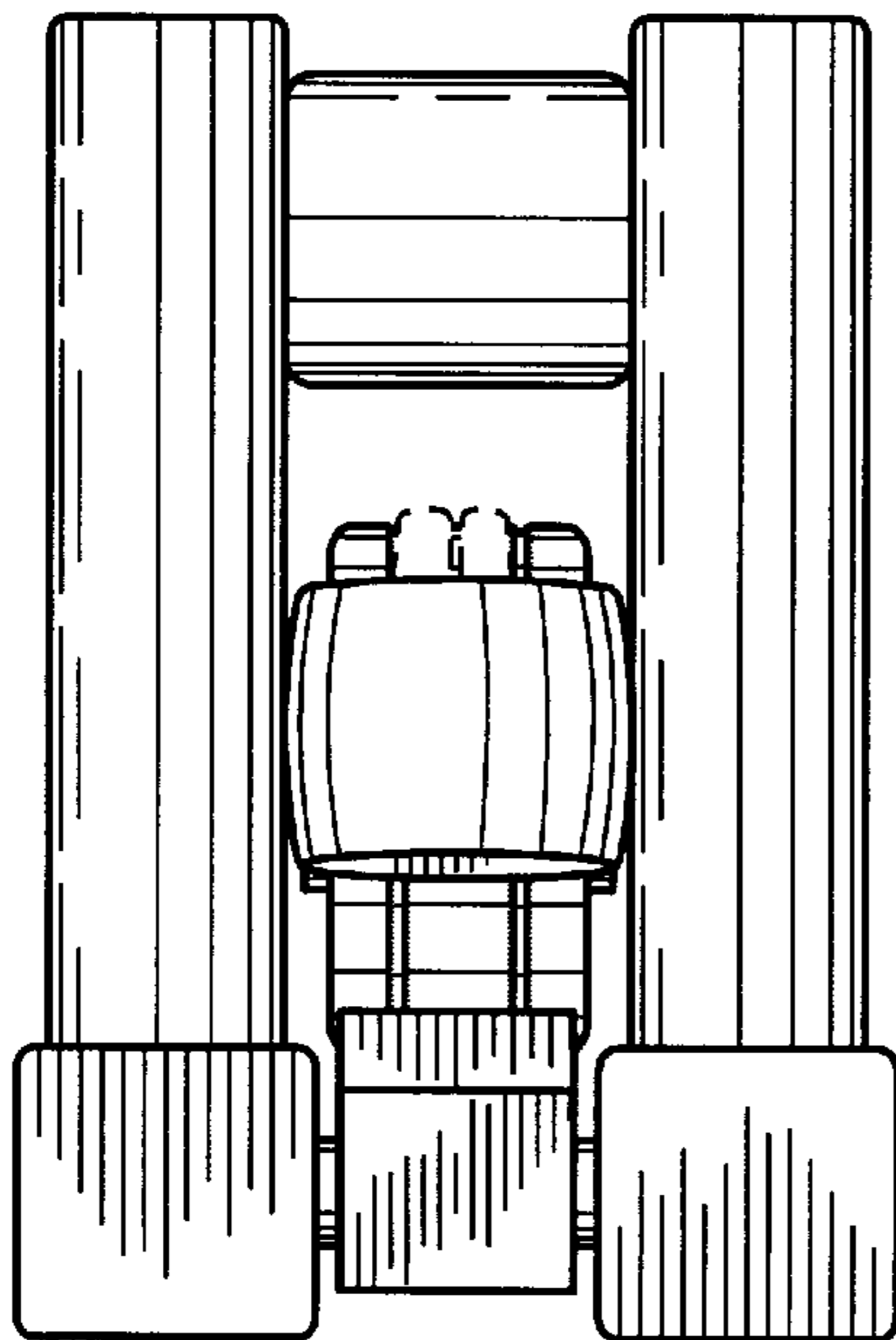


Fig. 3

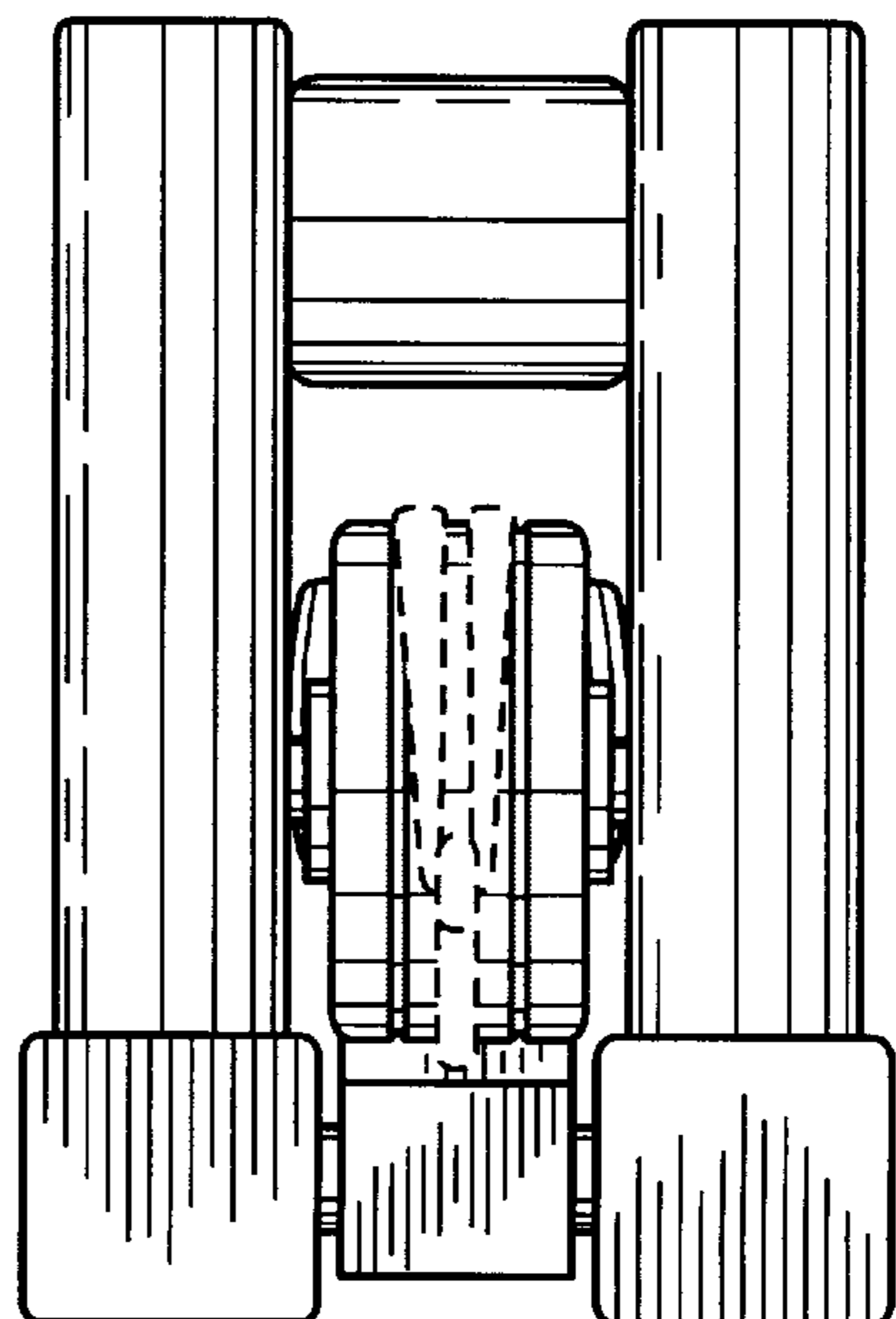


Fig. 4

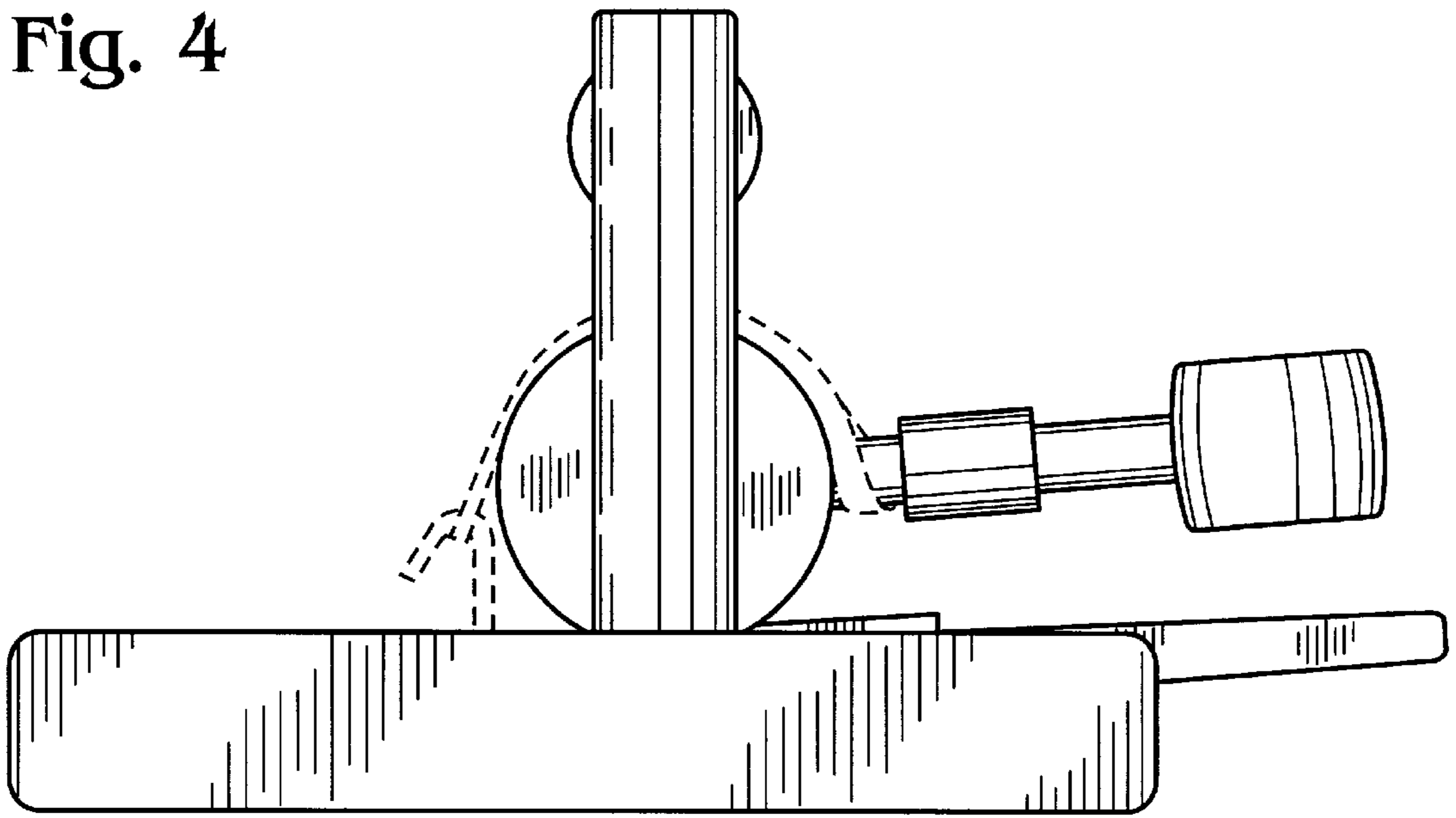


Fig. 5

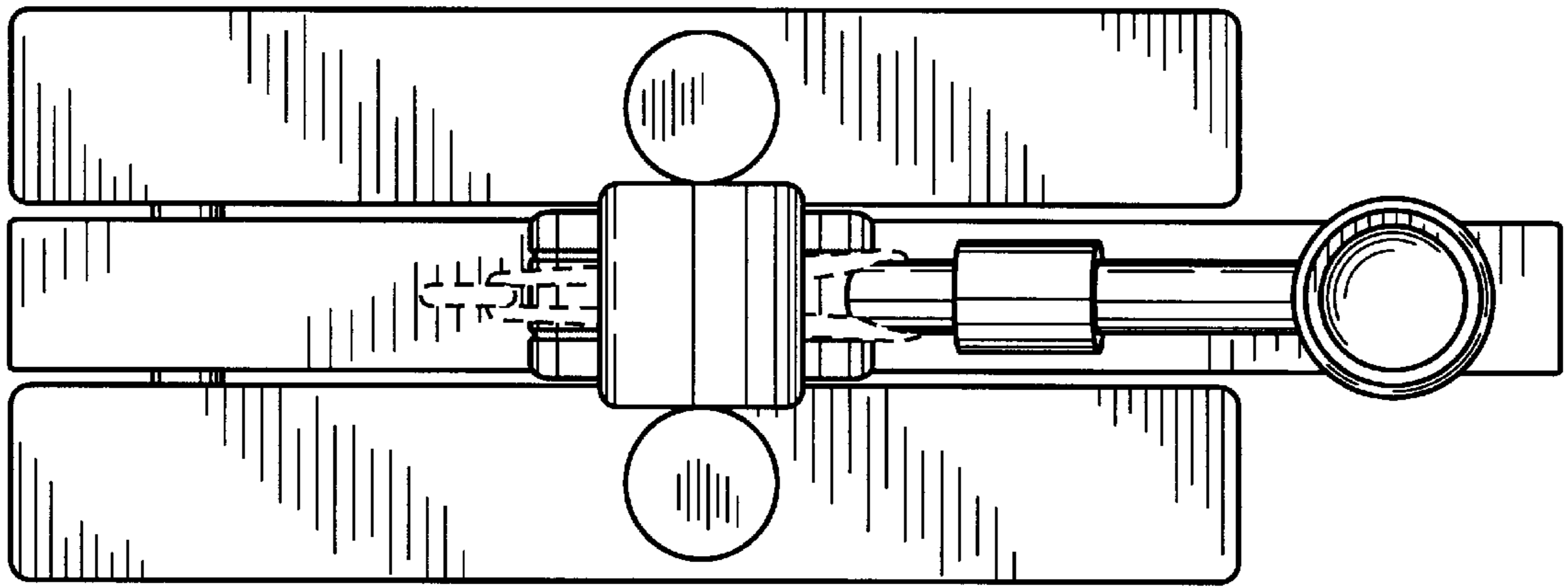


Fig. 6

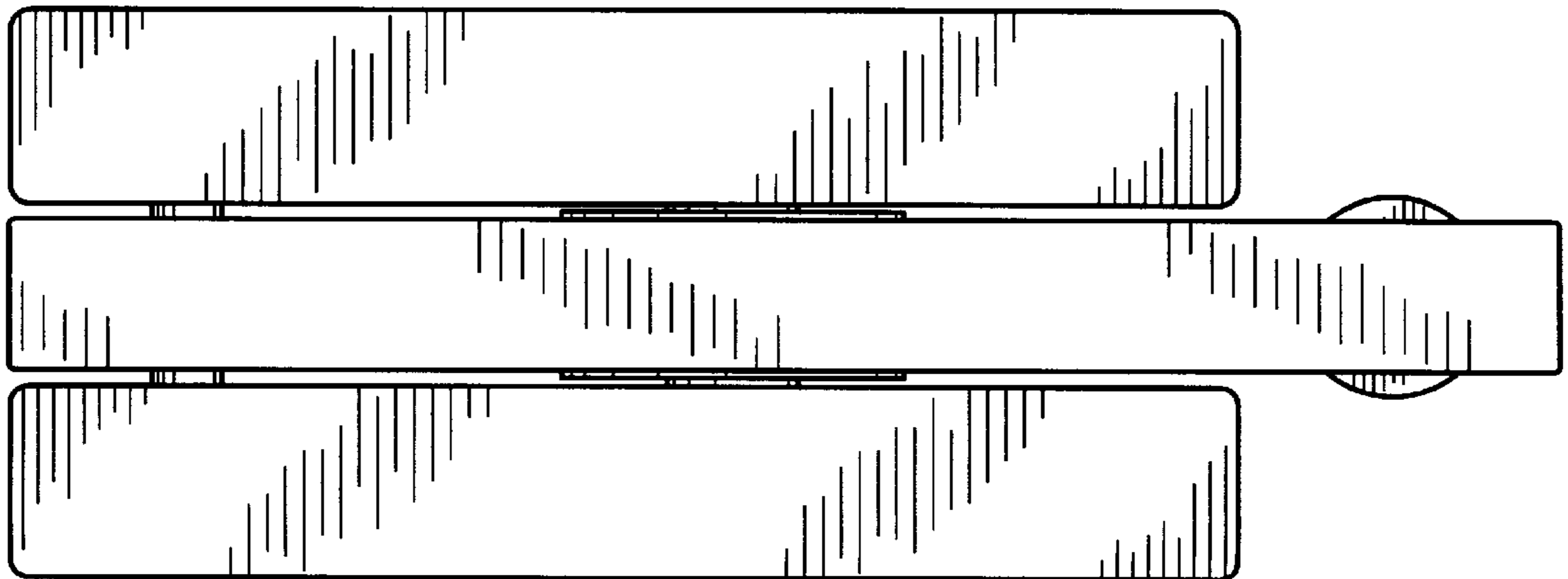


Fig. 7

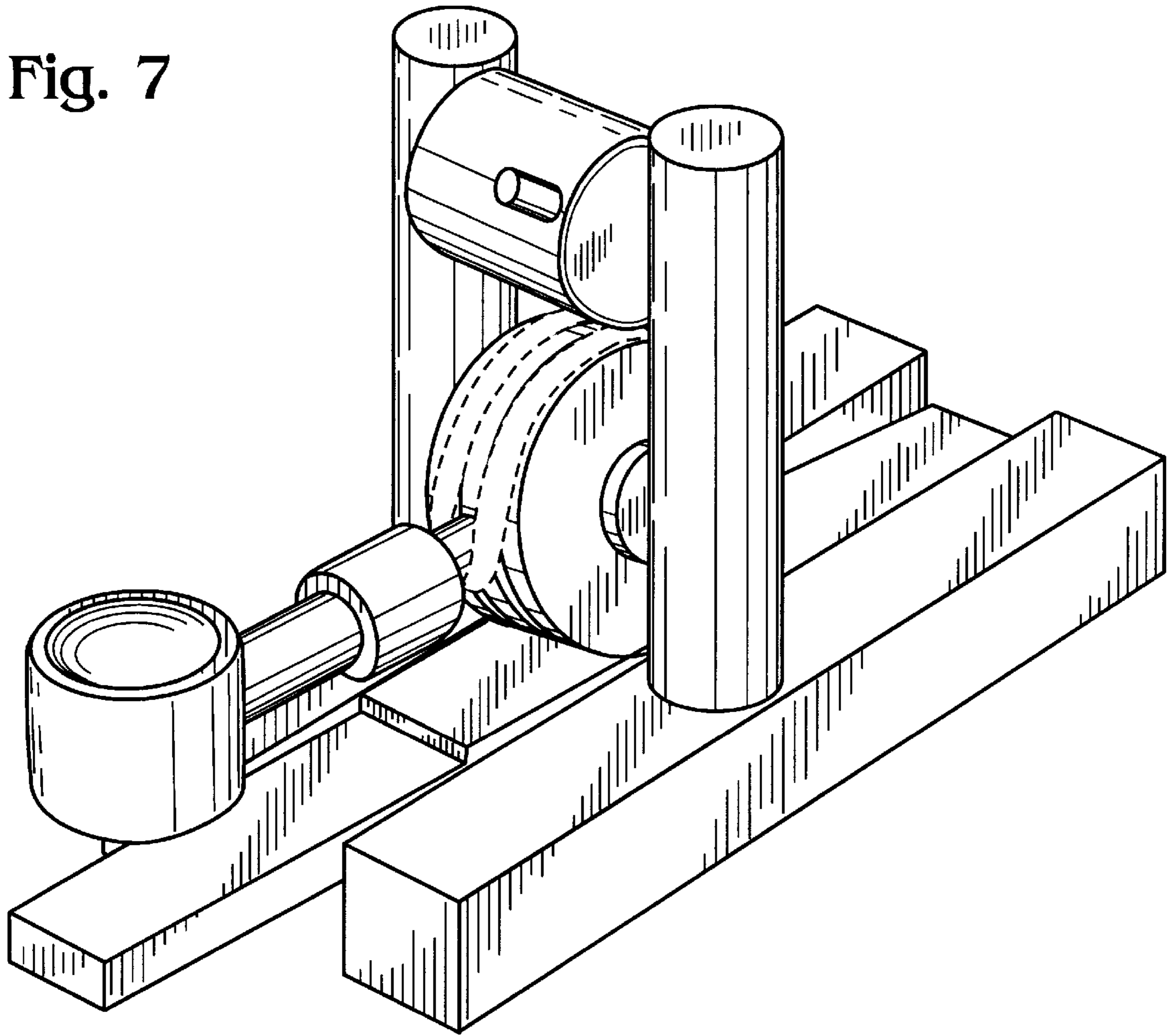


Fig. 8

