



US00D398921S

# United States Patent [19] Rosen

[11] Patent Number: **Des. 398,921**

[45] Date of Patent: **\*\*Sep. 29, 1998**

[54] **DEPLOYABLE MONITOR**

[76] Inventor: **John B. Rosen**, 87580 Cherry Ridge Rd., Eugene, Oreg. 97402

[\*\*] Term: **14 Years**

[21] Appl. No.: **75,858**

[22] Filed: **Aug. 29, 1997**

[51] **LOC (6) Cl.** ..... **14-03**

[52] **U.S. Cl.** ..... **D14/132**

[58] **Field of Search** ..... D14/113, 124-134; D6/553; D12/345, 415; 312/7.2; 348/148, 836, 837, 838; 108/44; 340/995; 248/917-924

[56] **References Cited**

**U.S. PATENT DOCUMENTS**

D. 274,728	7/1984	Shibata	.....	D14/113
D. 294,699	3/1988	Ohzu	.....	D14/126
D. 300,633	4/1989	Makino et al.	.....	D14/131
D. 324,040	2/1992	Saito et al.	.....	D14/126
D. 344,925	3/1994	Schimmelpfenning	.....	D12/345
4,438,458	3/1984	Münscher	.	
4,630,821	12/1986	Greenwald	.	
4,633,323	12/1986	Haberkern et al.	.	
4,647,980	3/1987	Steventon et al.	.	
4,735,467	4/1988	Wolters	.	
4,749,364	6/1988	Arney et al.	.	
4,843,477	6/1989	Mizutani et al.	.	
4,866,515	9/1989	Tagawa et al.	.	

5,161,028 11/1992 Kawata et al. .  
5,359,349 10/1994 Jambor et al. .  
5,362,144 11/1994 Shioya et al. .

*Primary Examiner*—Ted Shooman  
*Assistant Examiner*—Richelle Shelton  
*Attorney, Agent, or Firm*—Kolisch, Hartwell, Dickinson, McCormack & Heuser

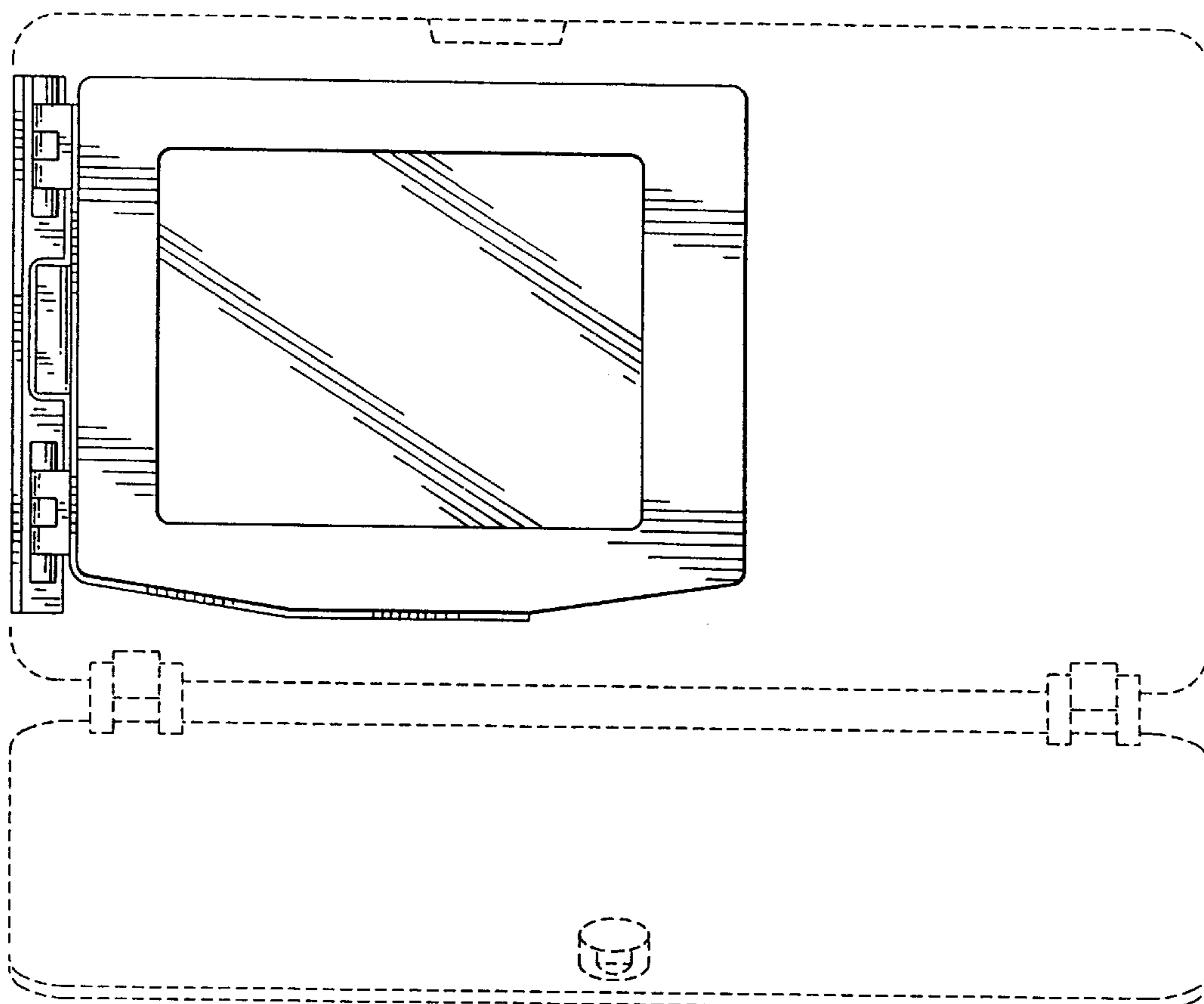
[57] **CLAIM**

The ornamental design for a deployable monitor, as shown and described.

**DESCRIPTION**

FIG. 1 is an isometric view of a deployable monitor constructed in accordance with the present invention, the monitor being shown in a deployed orientation;  
FIG. 2 is an isometric view of the deployable monitor of FIG. 1, but with the monitor in a stowed orientation;  
FIG. 3 is a front elevational view of the deployable monitor of FIG. 1, the vehicle glove compartment shown in broken lines is for illustrative purposes only and forms no part of the claimed design;  
FIG. 4 is a rear elevational view of the deployable monitor of FIG. 1;  
FIG. 5 is a top view thereof;  
FIG. 6 is a left-side view thereof;  
FIG. 7 is a right-side view thereof; and,  
FIG. 8 is a bottom view thereof.

**1 Claim, 3 Drawing Sheets**



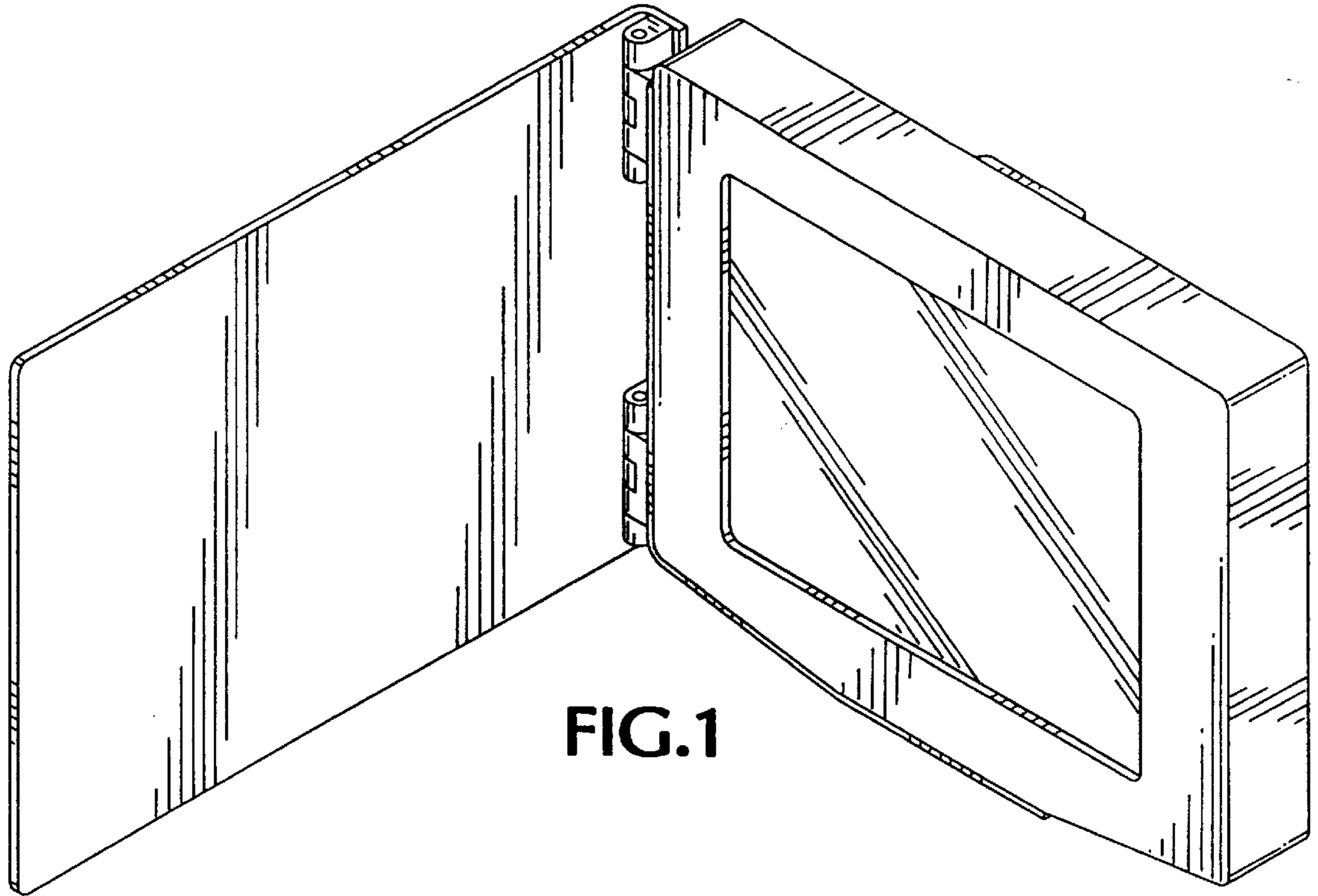


FIG. 1

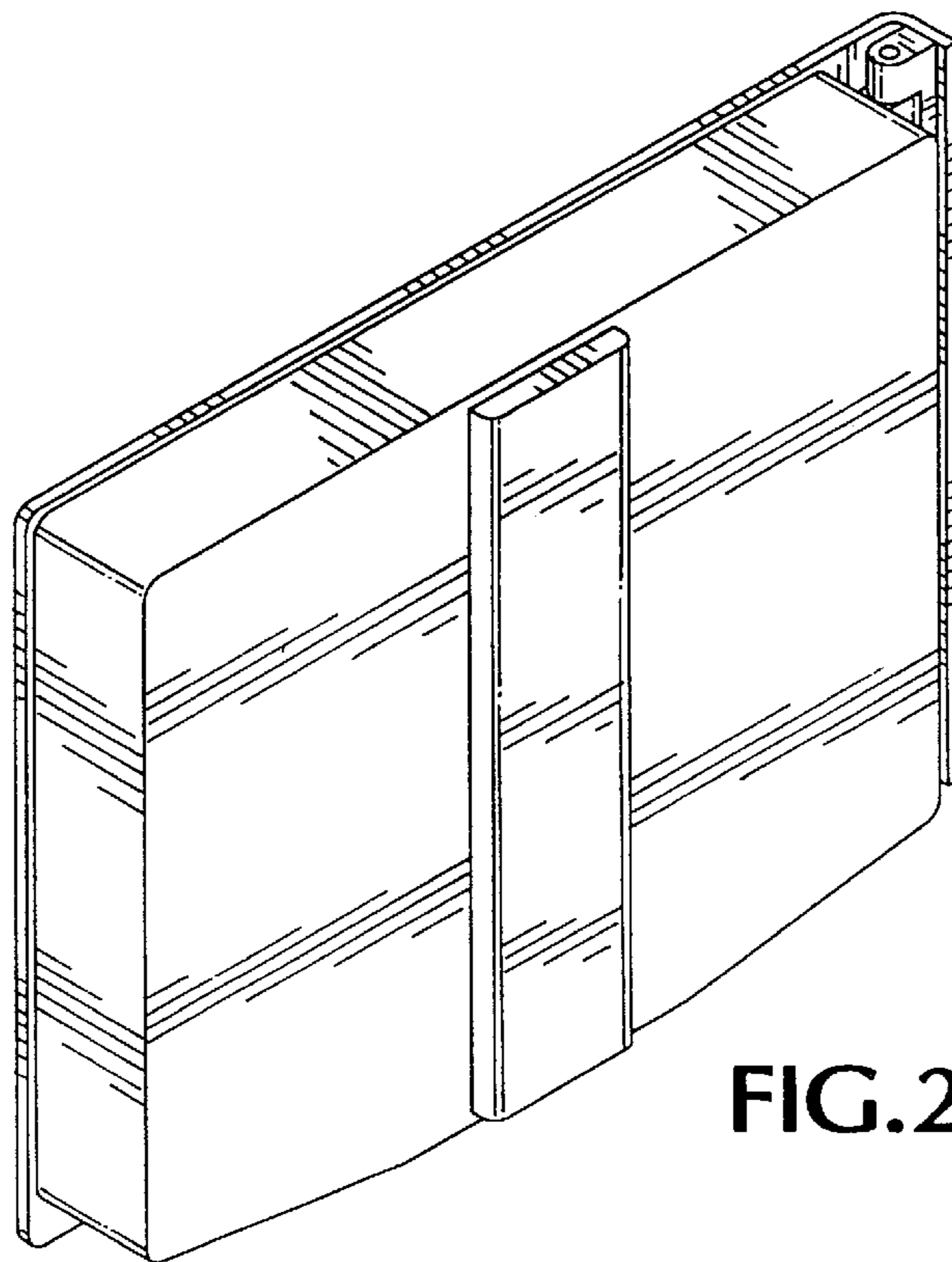


FIG. 2

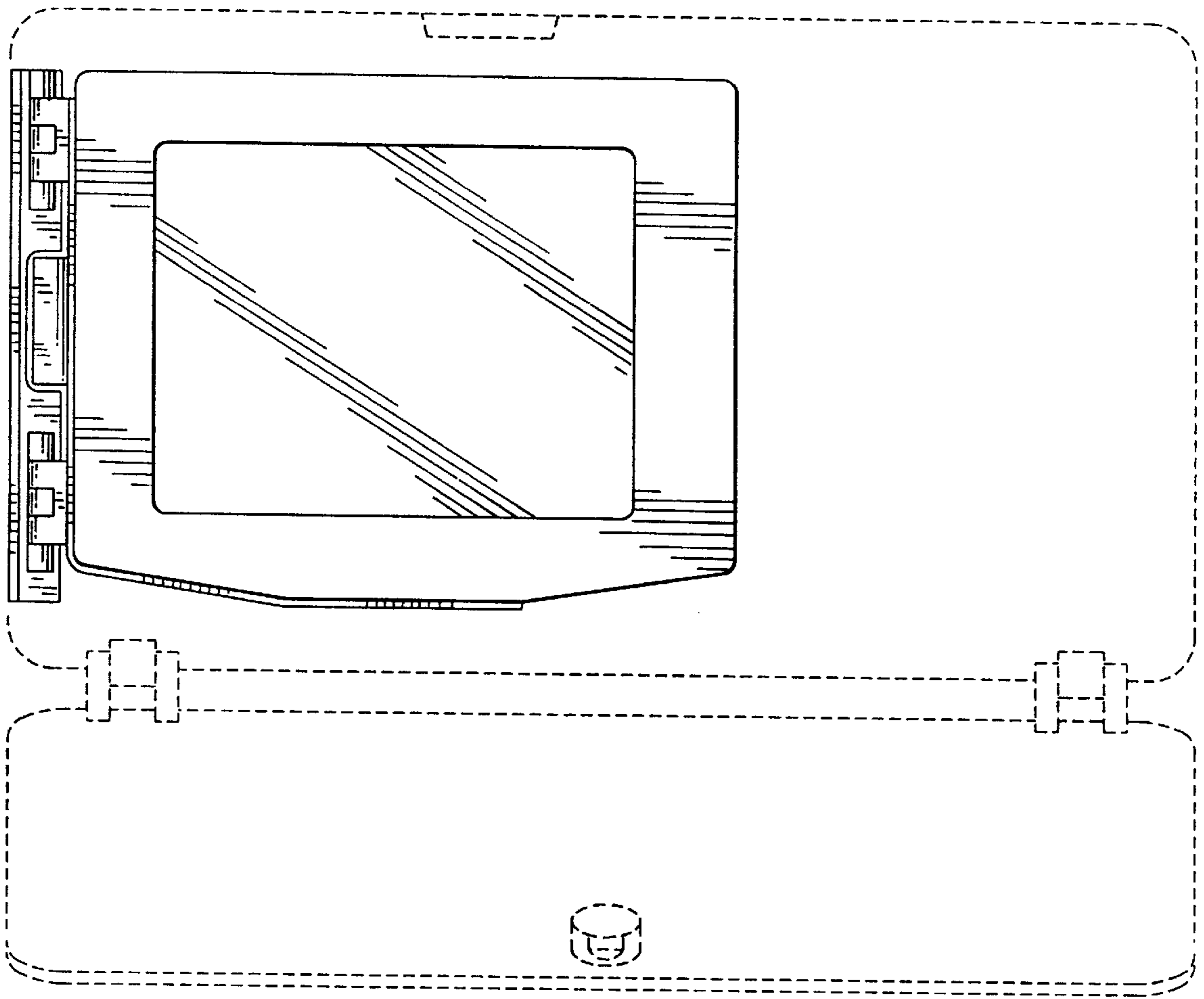


FIG.3

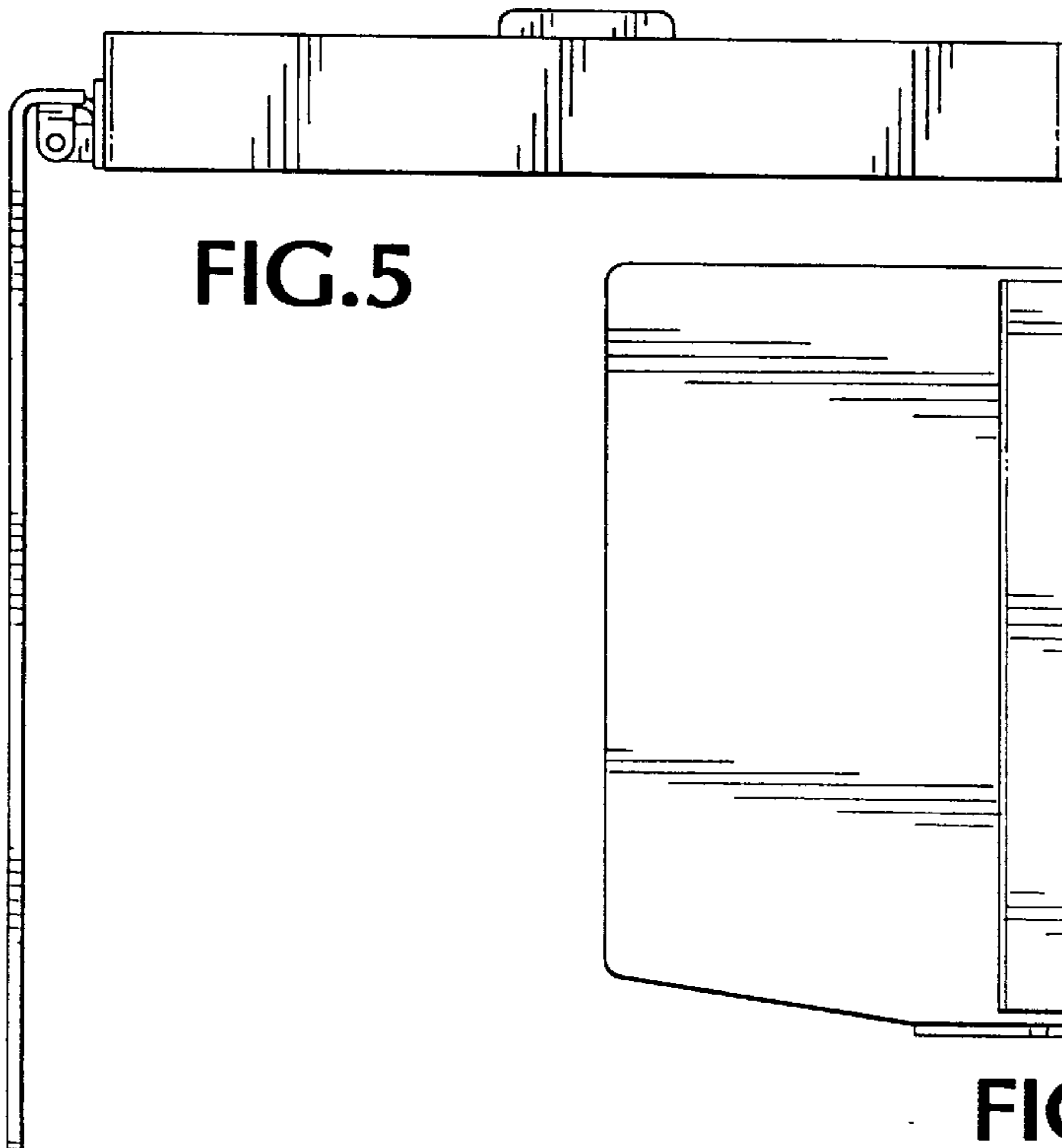


FIG.5

FIG.4

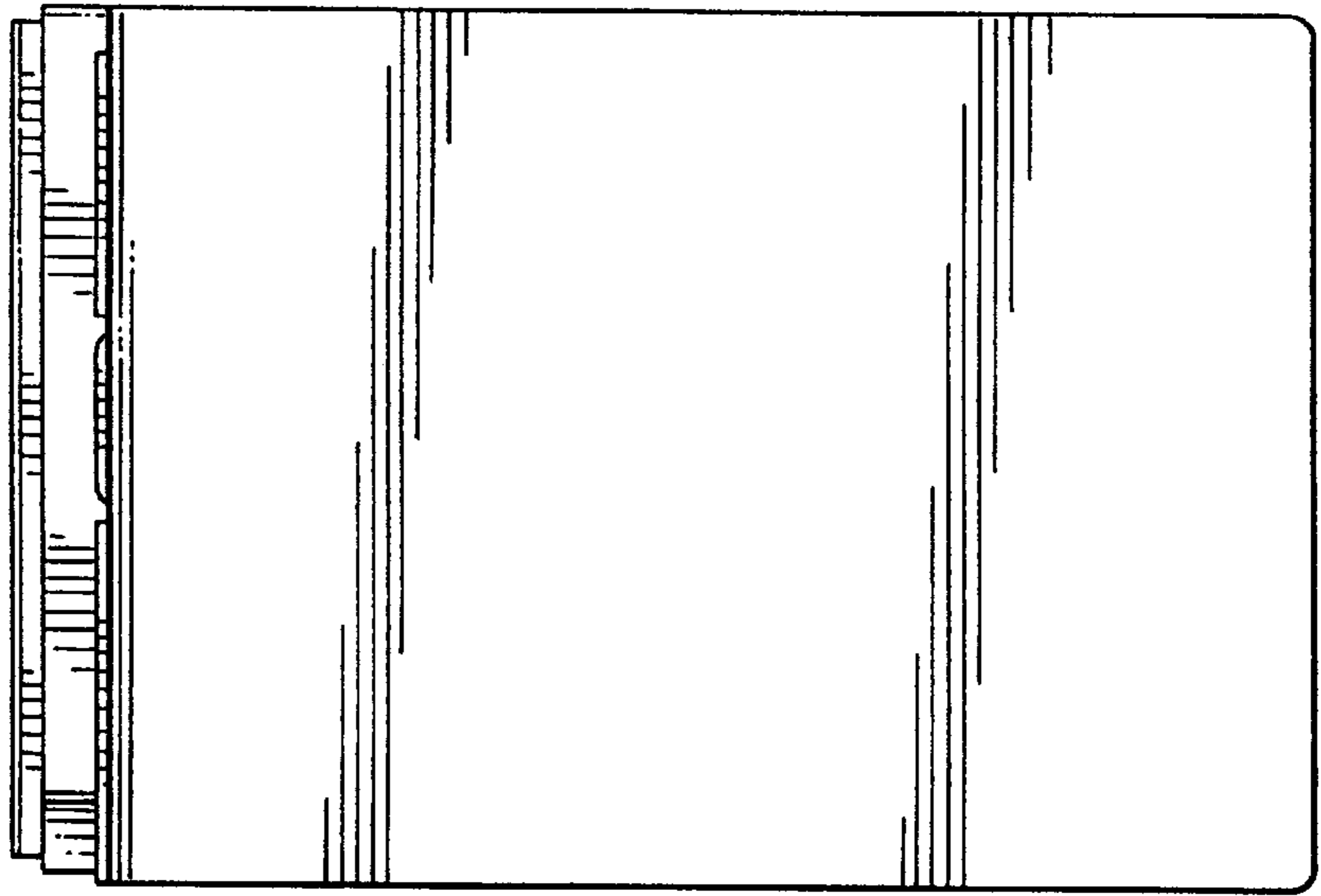


FIG. 6

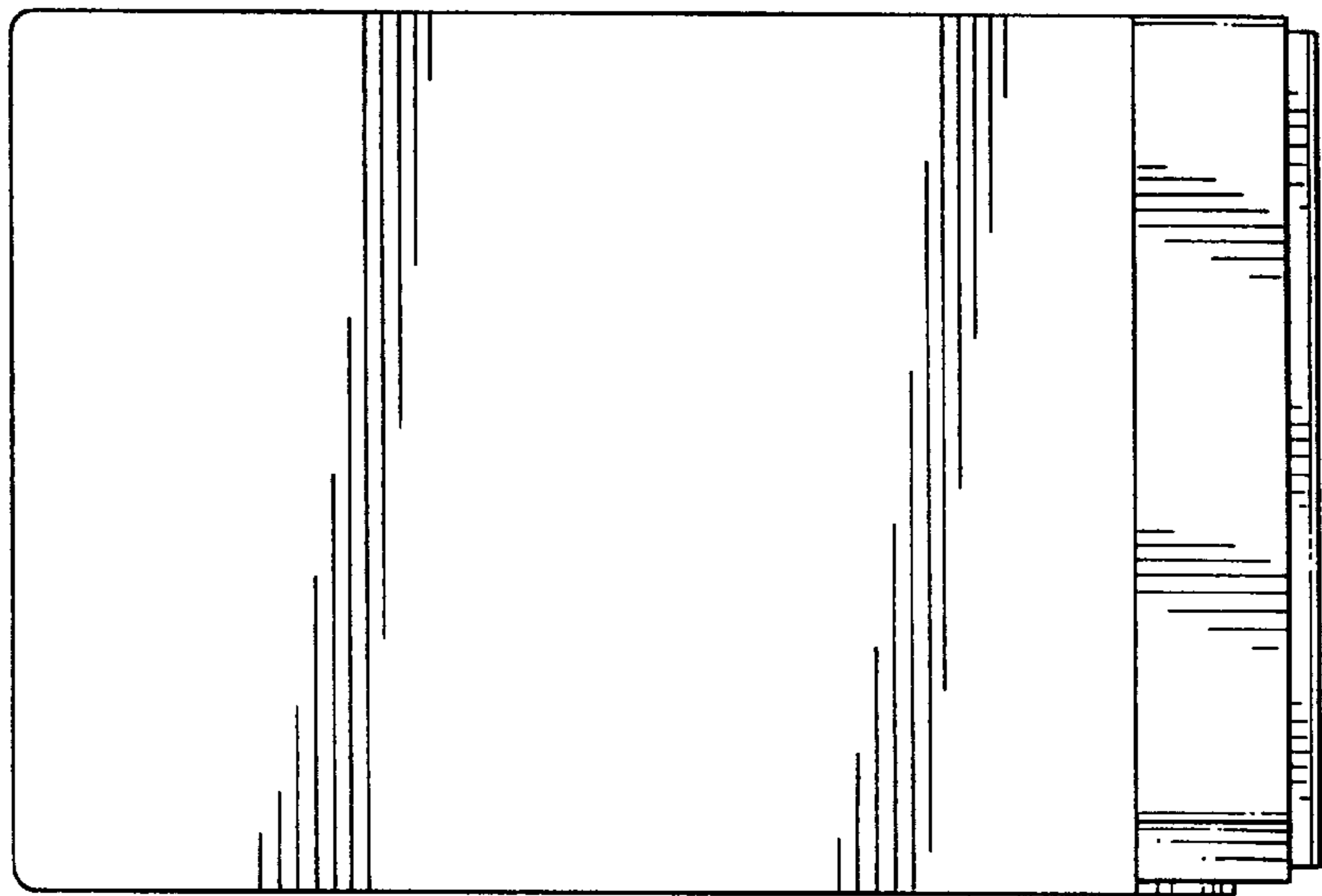


FIG. 7

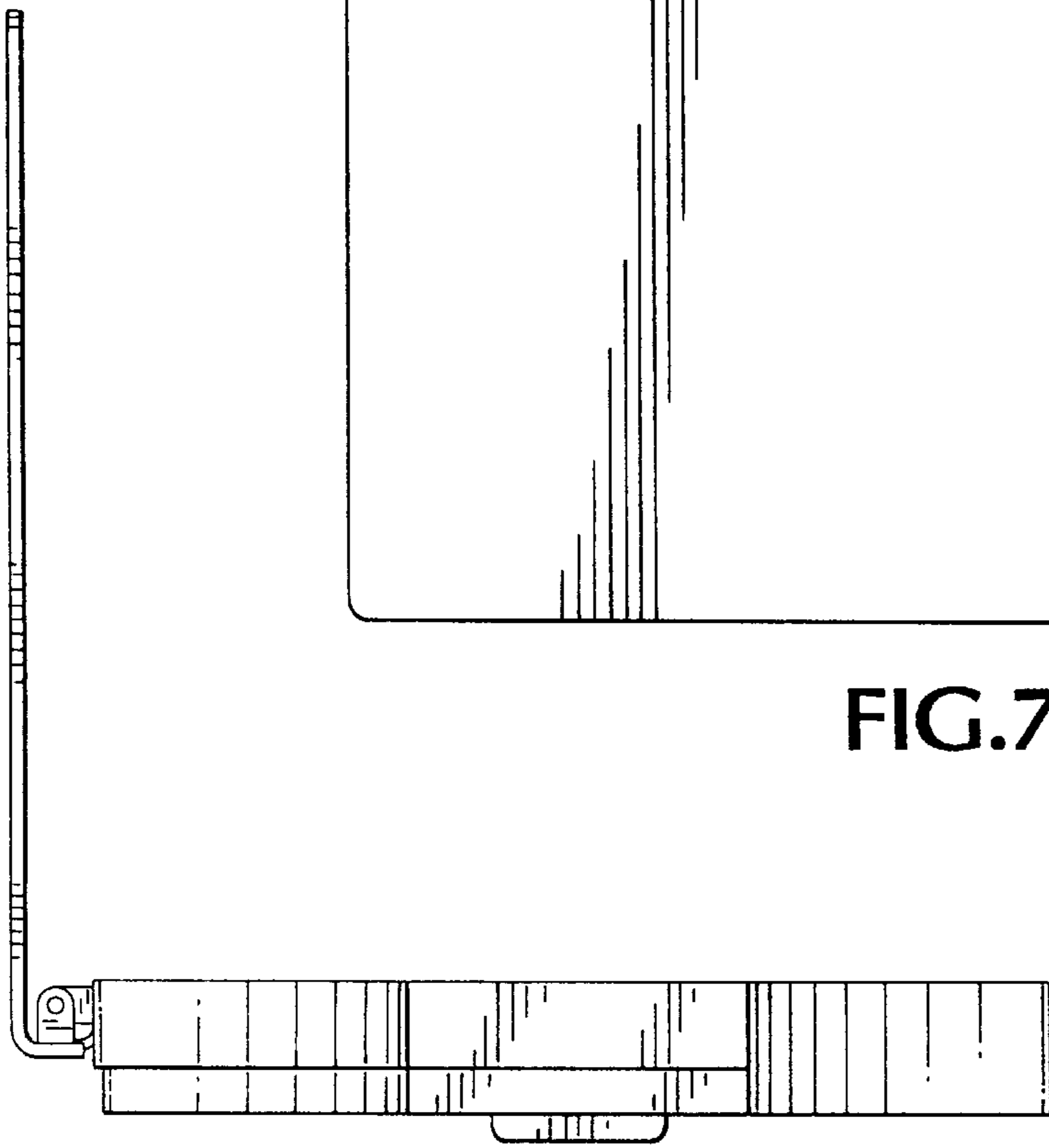


FIG. 8