



US00D398913S

United States Patent [19] Tseng

[11] **Patent Number: Des. 398,913**
[45] **Date of Patent: **Sep. 29, 1998**

[54] **AUDIO PROCESSING DEVICE FOR MULTIMEDIA**

[75] Inventor: **Tonny Tseng**, Taipei, Taiwan

[73] Assignee: **Yosun Industrial Corp.**, Taipei, Taiwan

[**] Term: **14 Years**

[21] Appl. No.: **70,530**

[22] Filed: **May 9, 1997**

[51] **LOC (6) Cl.** **14-02**

[52] **U.S. Cl.** **D14/114; D13/133**

[58] **Field of Search** D14/114; D13/133,
D13/146, 147; 340/825.25, 328, 384.1,
396.1; 364/708.1, 710.12; 361/686; 439/131,
299-300; 74/52.1

[56] **References Cited**

U.S. PATENT DOCUMENTS

D. 266,514 10/1982 Fernalid, Jr. et al. D14/114

D. 323,148 1/1992 Sueyoshi et al. D13/146
D. 336,467 6/1993 Pooley et al. D14/114
D. 336,746 6/1993 Tse D14/114
D. 361,989 9/1995 Cox D14/114
D. 363,269 10/1995 Riley et al. D13/133
D. 363,918 11/1995 Buongervino et al. D13/147

Primary Examiner—M. H. Tung
Attorney, Agent, or Firm—Donald C. Casey, Esq.

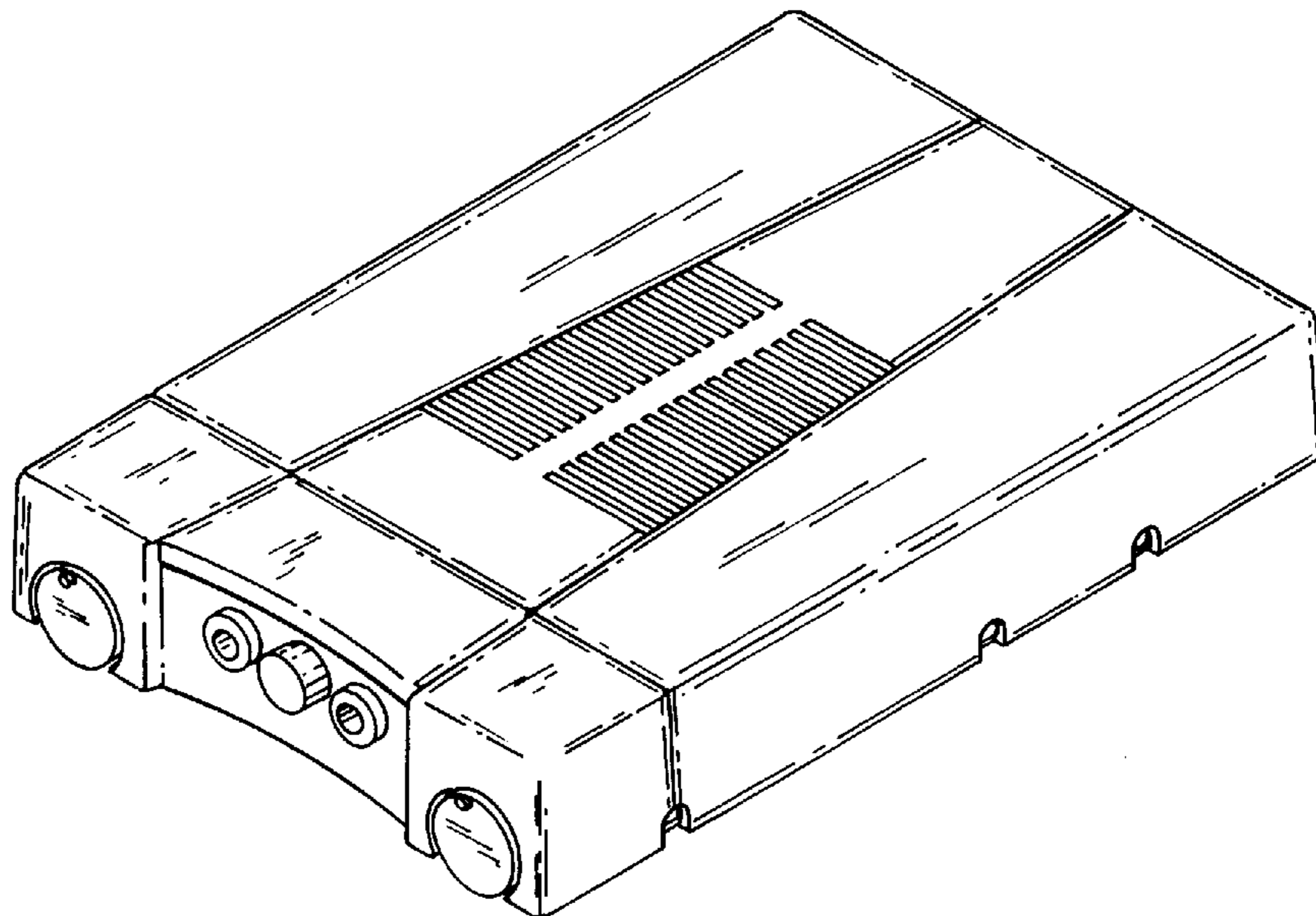
[57] **CLAIM**

The ornamental design for an audio processing device for multimedia, as shown.

DESCRIPTION

FIG. 1 is a perspective view of the design of this invention; FIG. 2 is a front view of the device of FIG. 1; FIG. 3 is a rear view of the device of FIG. 1; FIG. 4 is a left side view of the device of FIG. 1; FIG. 5 is a right side view of the device of FIG. 1; FIG. 6 is a top view of the device of FIG. 1; and, FIG. 7 is a bottom view of the device of FIG. 1.

1 Claim, 4 Drawing Sheets



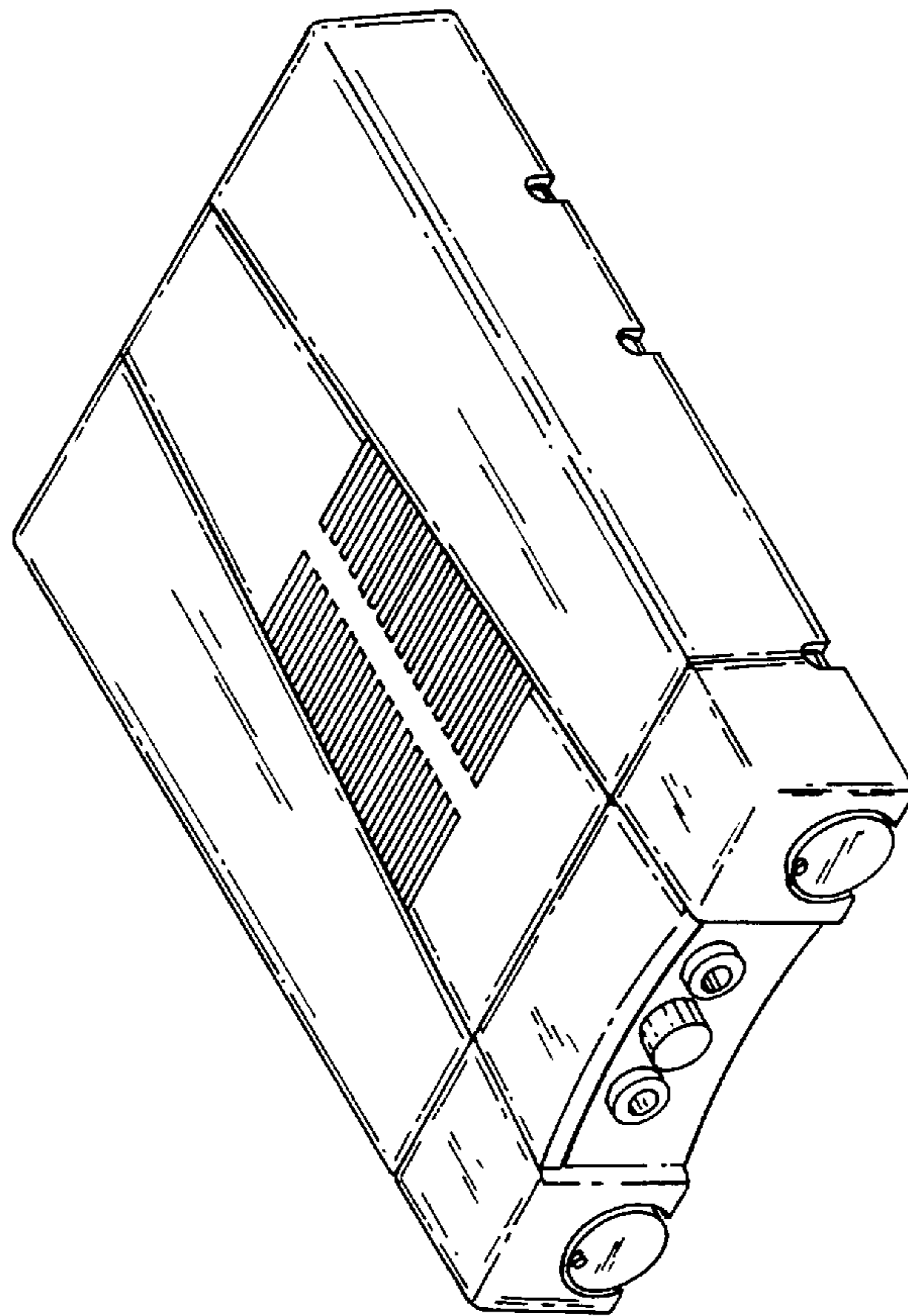


FIG. 1

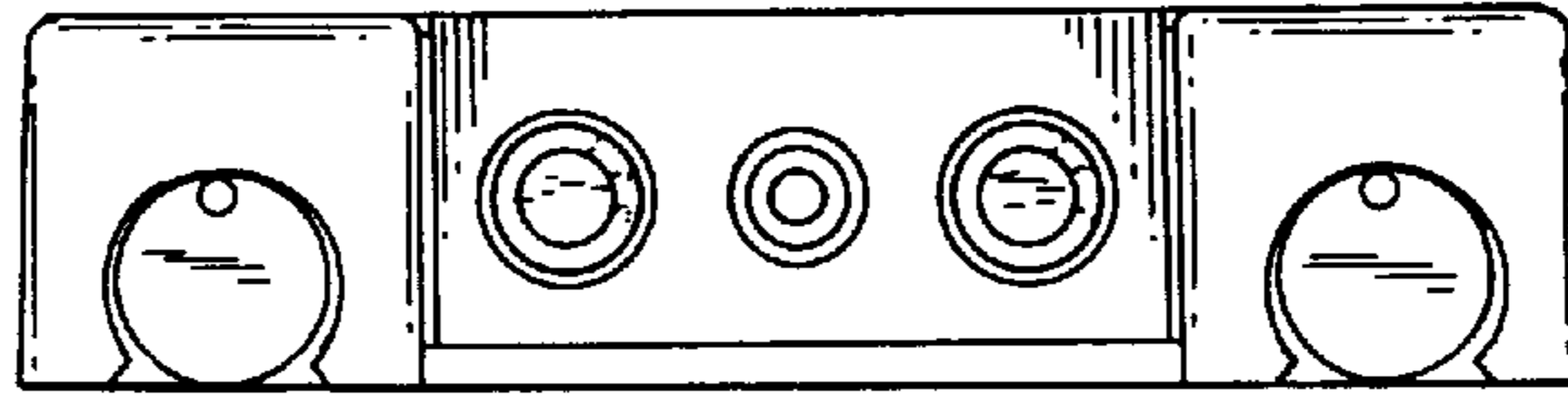


FIG. 2

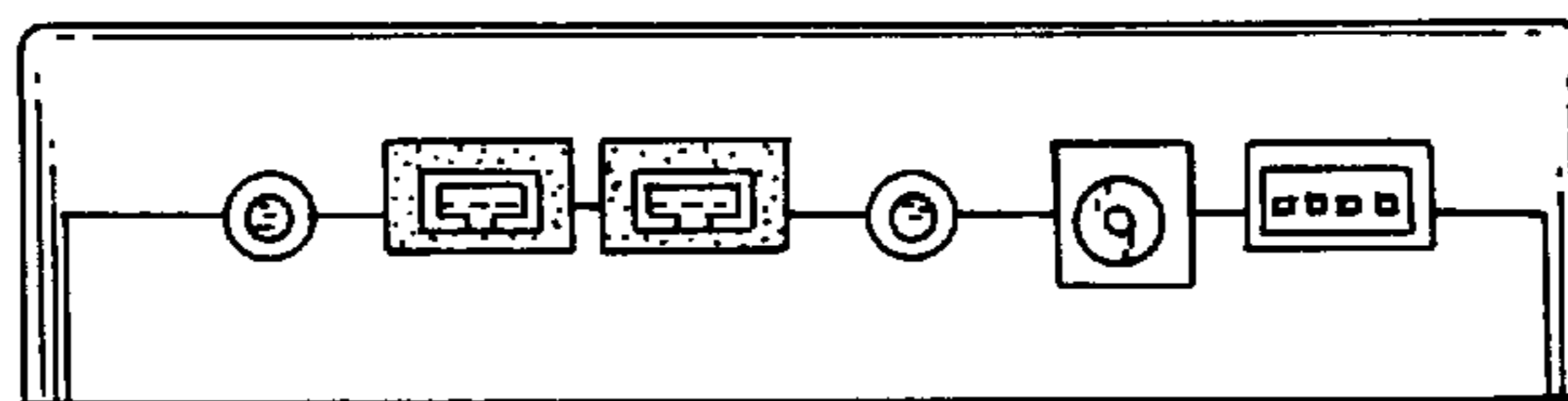


FIG. 3

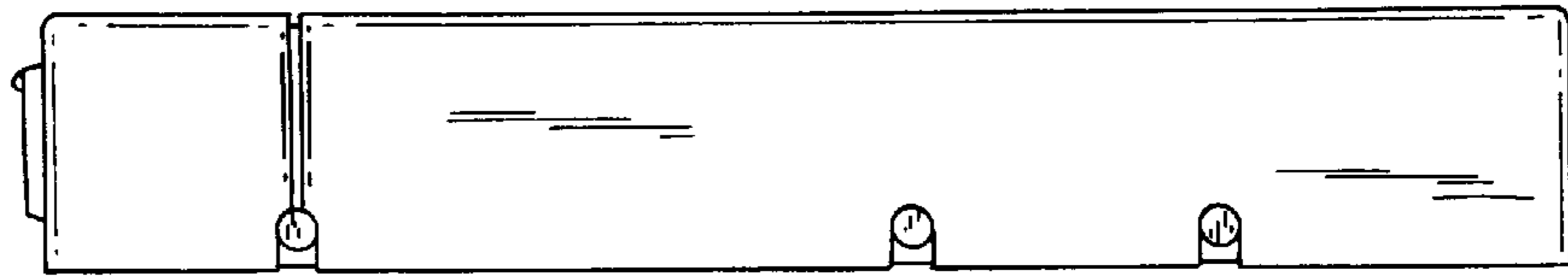


FIG. 5

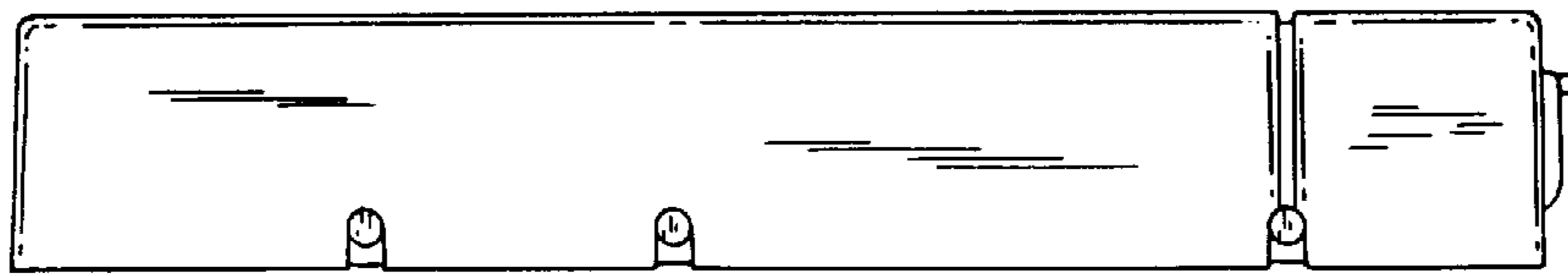


FIG. 4

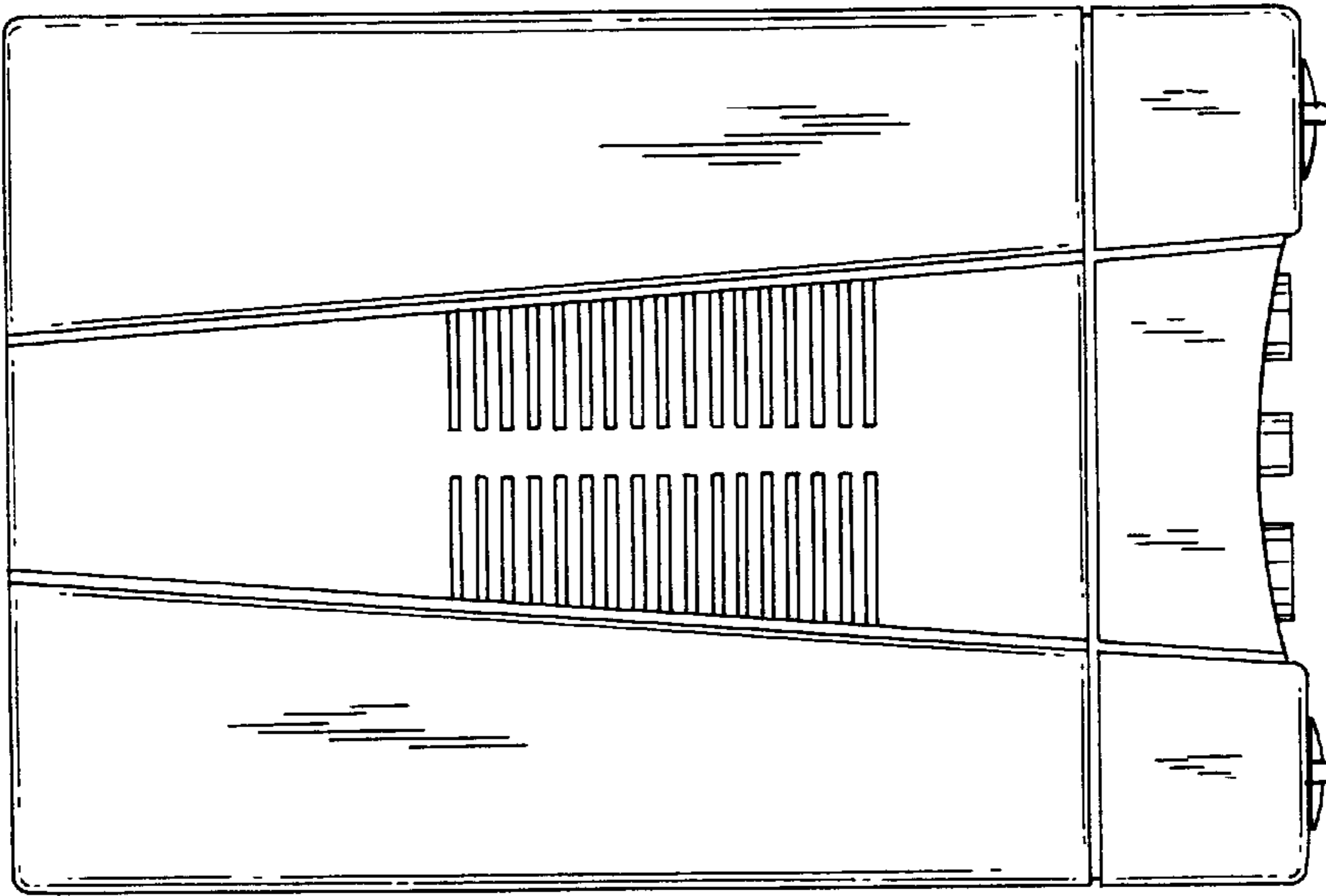


FIG. 6

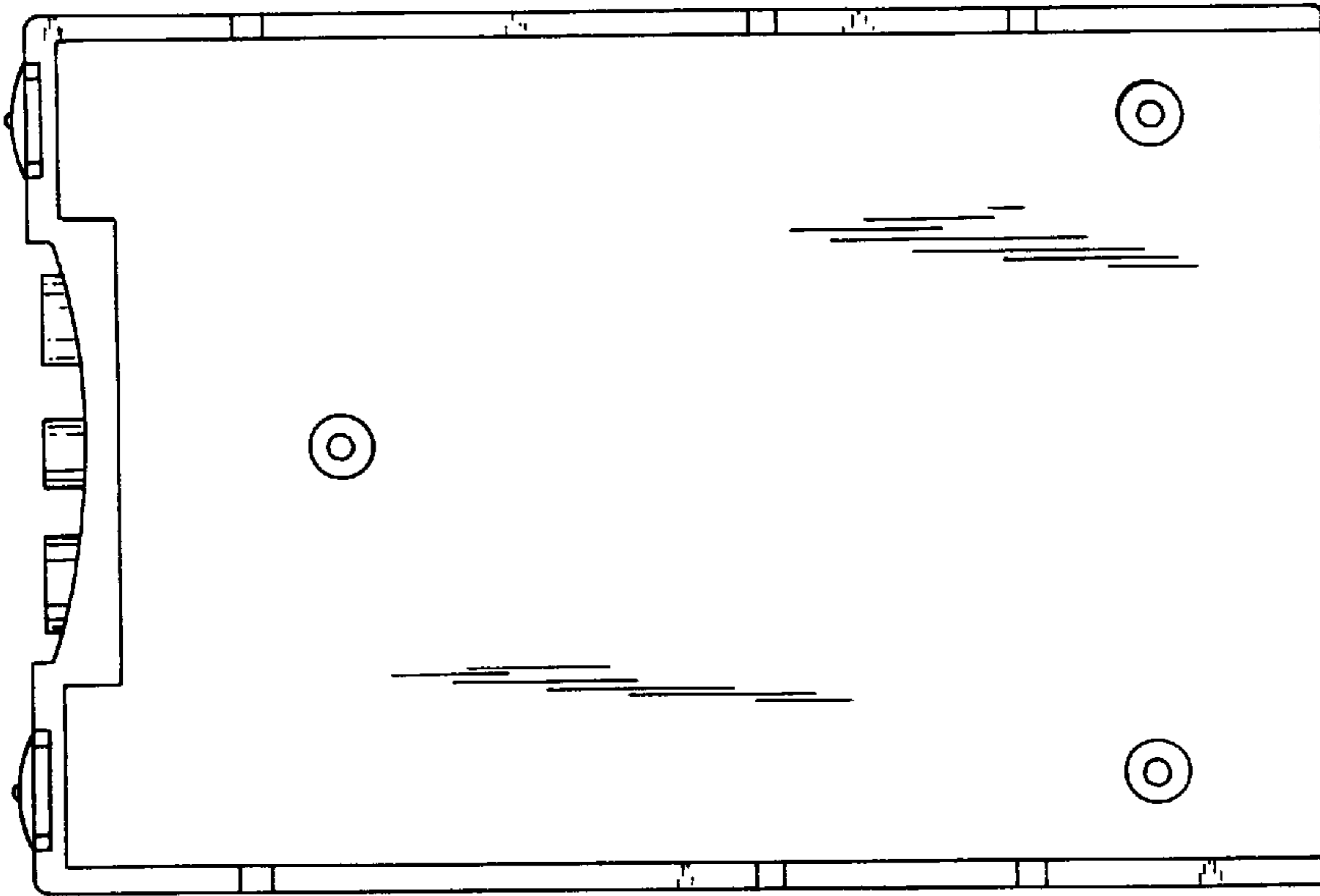


FIG. 7