



US00D398909S

United States Patent [19]

Yamazaki et al.

[11] Patent Number: **Des. 398,909**

[45] Date of Patent: ****Sep. 29, 1998**

[54] PORTABLE MULTIMEDIA CD-ROM PLAYER

[75] Inventors: **Kazuhiko Yamazaki**, Hiratsuka;
Shuichi Iwata; **Shinobu Hashizume**,
both of Yokohama, all of Japan

[73] Assignee: **International Business Machines Corporation**, Armonk, N.Y.

[**] Term: **14 Years**

[21] Appl. No.: **52,755**

[22] Filed: **Apr. 4, 1996**

[30] Foreign Application Priority Data

Oct. 9, 1995 [JP] Japan 7-30263

[51] LOC (6) Cl. **14-02**

[52] U.S. Cl. **D14/107; D14/156**

[58] Field of Search D14/100, 156,
D14/107-109, 136, 129; D13/162, 184,
199; D6/432, 436, 445, 448; 312/208.1;
360/99.12; 361/694; 510/168; 369/75.1

[56] References Cited

U.S. PATENT DOCUMENTS

D. 324,378 3/1992 Poupore D14/100 X
D. 367,853 3/1996 Iino et al. D14/107

Primary Examiner—Freda Nunn
Attorney, Agent, or Firm—Ingrid M. Foerster; Douglas H. Millett

[57] CLAIM

The ornamental design for a portable multimedia CD-ROM player, as shown and described.

DESCRIPTION

FIG. 1 is a right side perspective view of a portable multimedia CD-ROM player showing our new design wherein the speakers are extracted symmetrically from a body;

FIG. 2 is a perspective view thereof, where the left speaker further rotates vertically and takes a standing posture;

FIG. 3 is a front elevational view thereof, where the speakers are extracted horizontally;

FIG. 4 is a rear elevational view thereof, where the speakers are extracted horizontally;

FIG. 5 is a left side elevational view thereof, where the left speaker is extracted horizontally;

FIG. 6 is a top plan view thereof, where the speakers are extracted horizontally;

FIG. 7 is a bottom plan view thereof, where the speakers are extracted horizontally;

FIG. 8 is a front elevational view thereof, where the speakers are fully accommodated into the body;

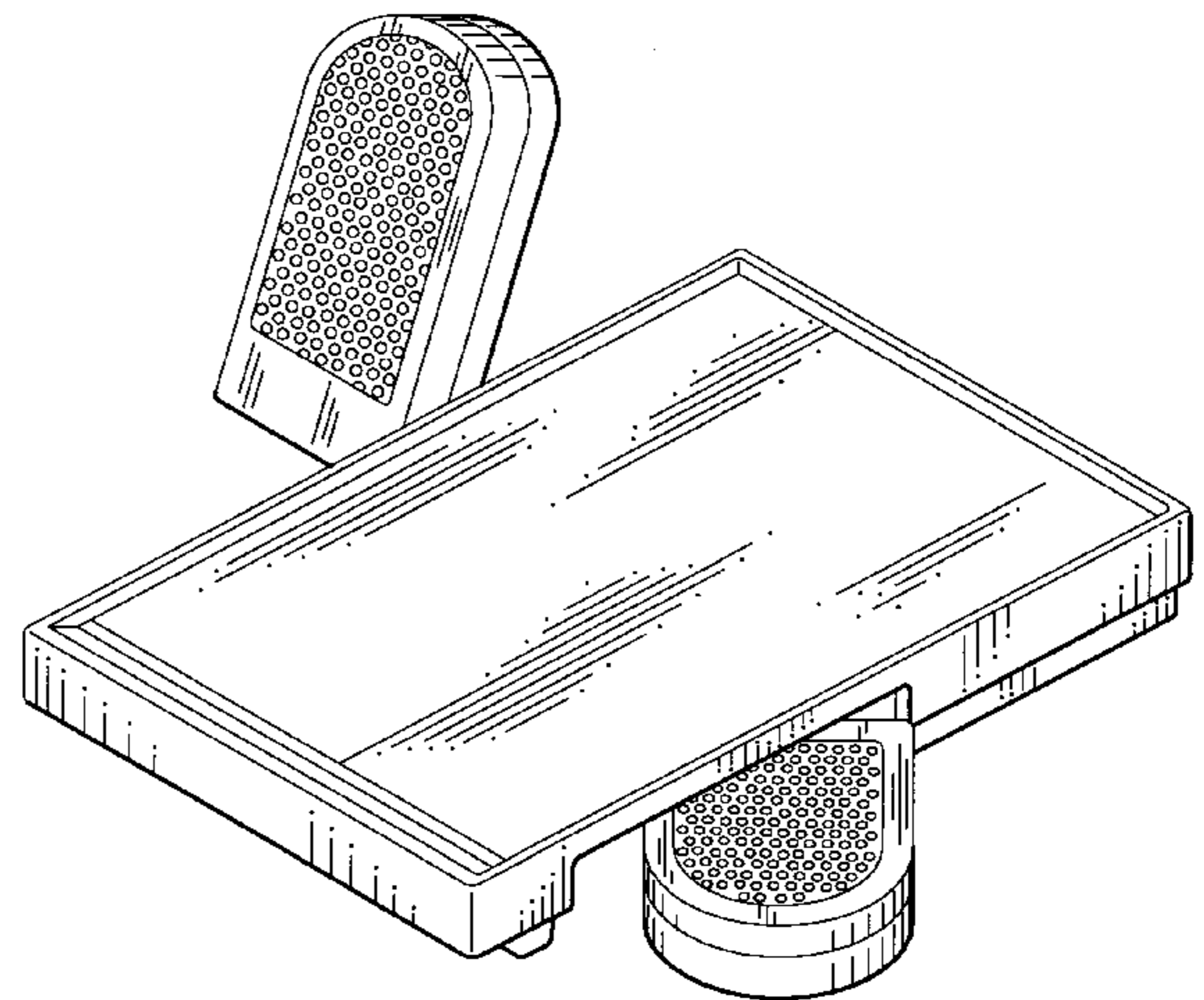
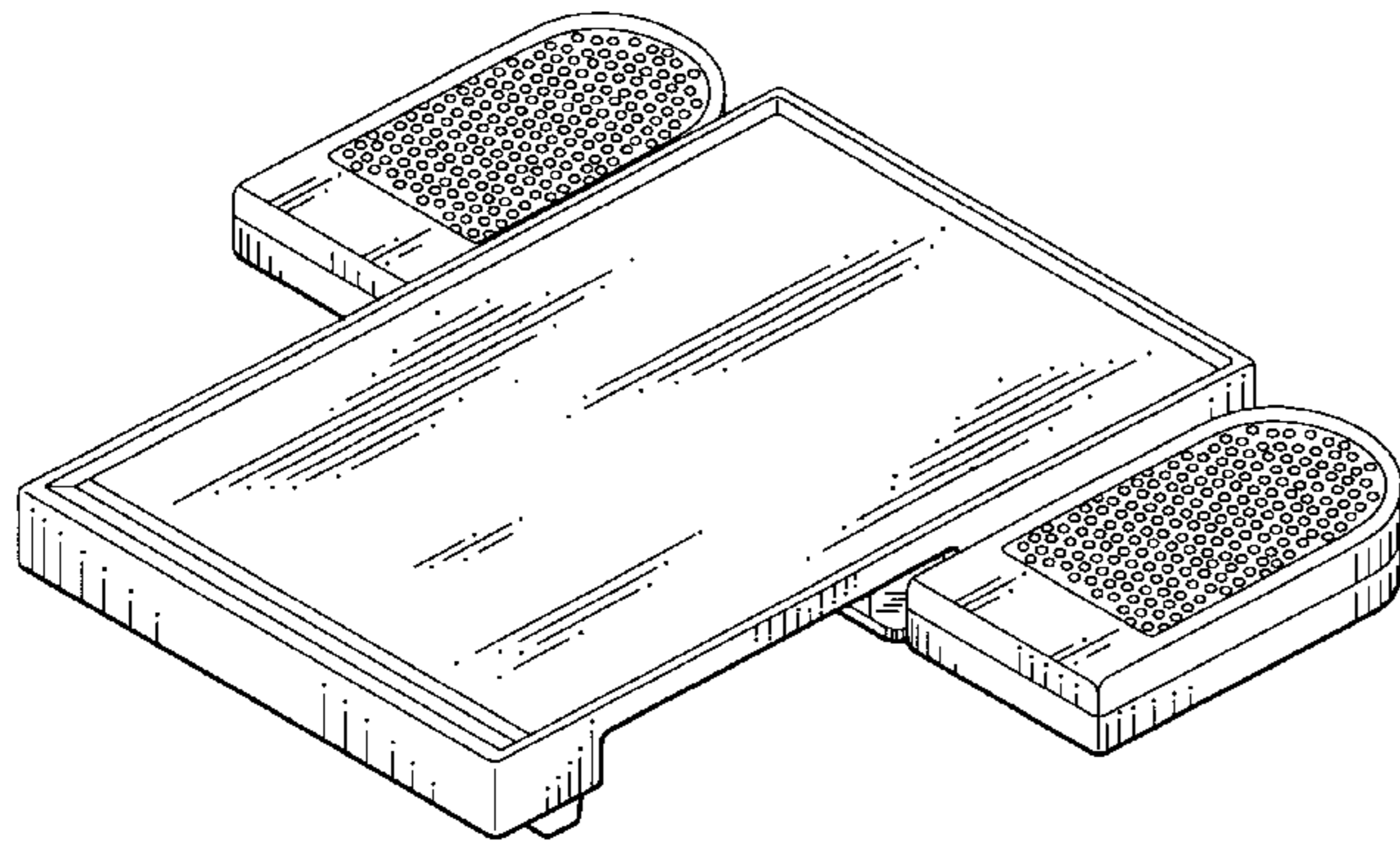
FIG. 9 is a rear elevational view thereof, where the speakers are fully accommodated into the body;

FIG. 10 is a left side elevational view thereof, where the left speaker is accommodated fully into the body;

FIG. 11 is a top plan view thereof, where the speakers are fully accommodated into the body; and,

FIG. 12 is a bottom plan view thereof, where the speakers are fully accommodated into the body.

1 Claim, 8 Drawing Sheets



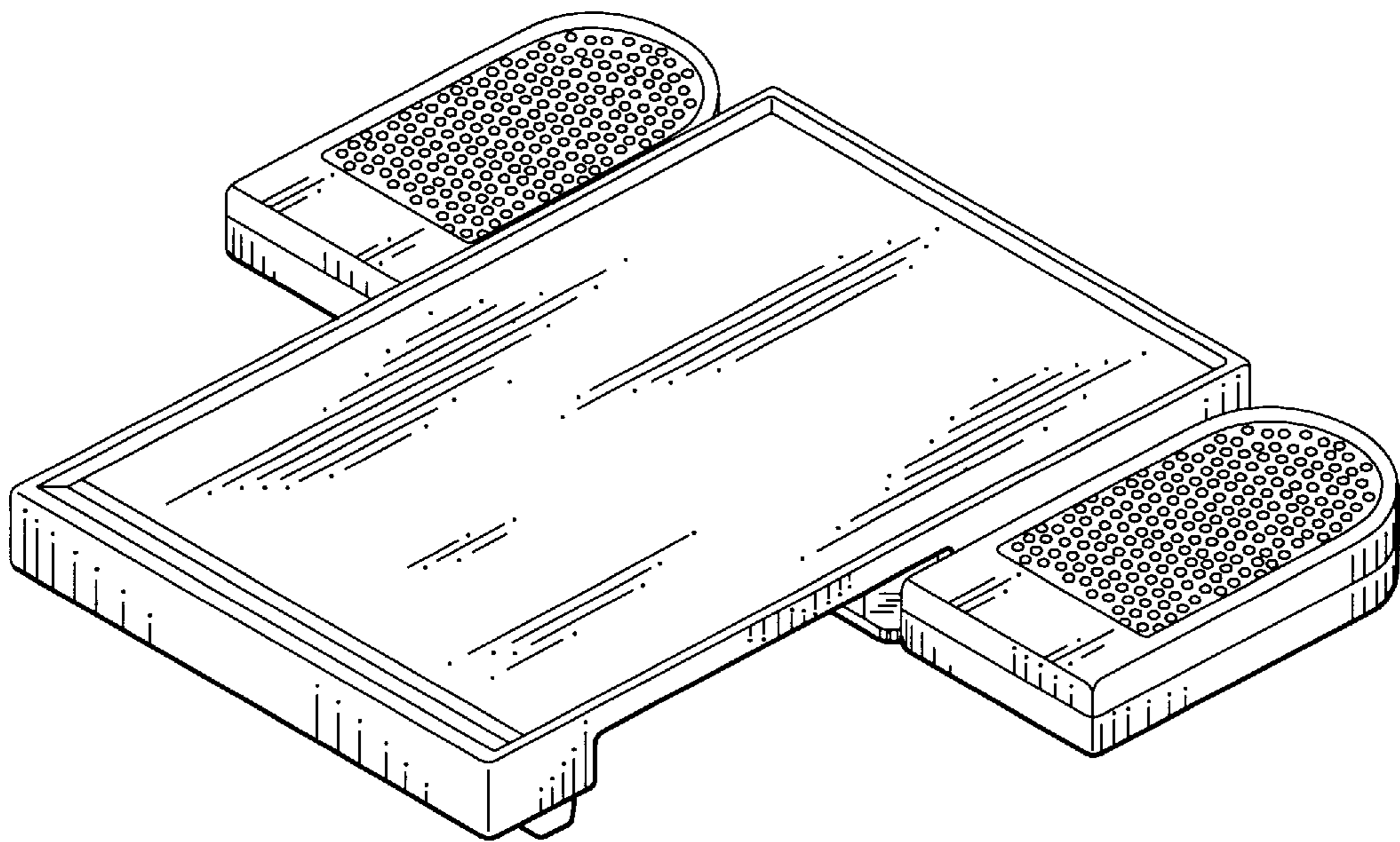


FIG. 1

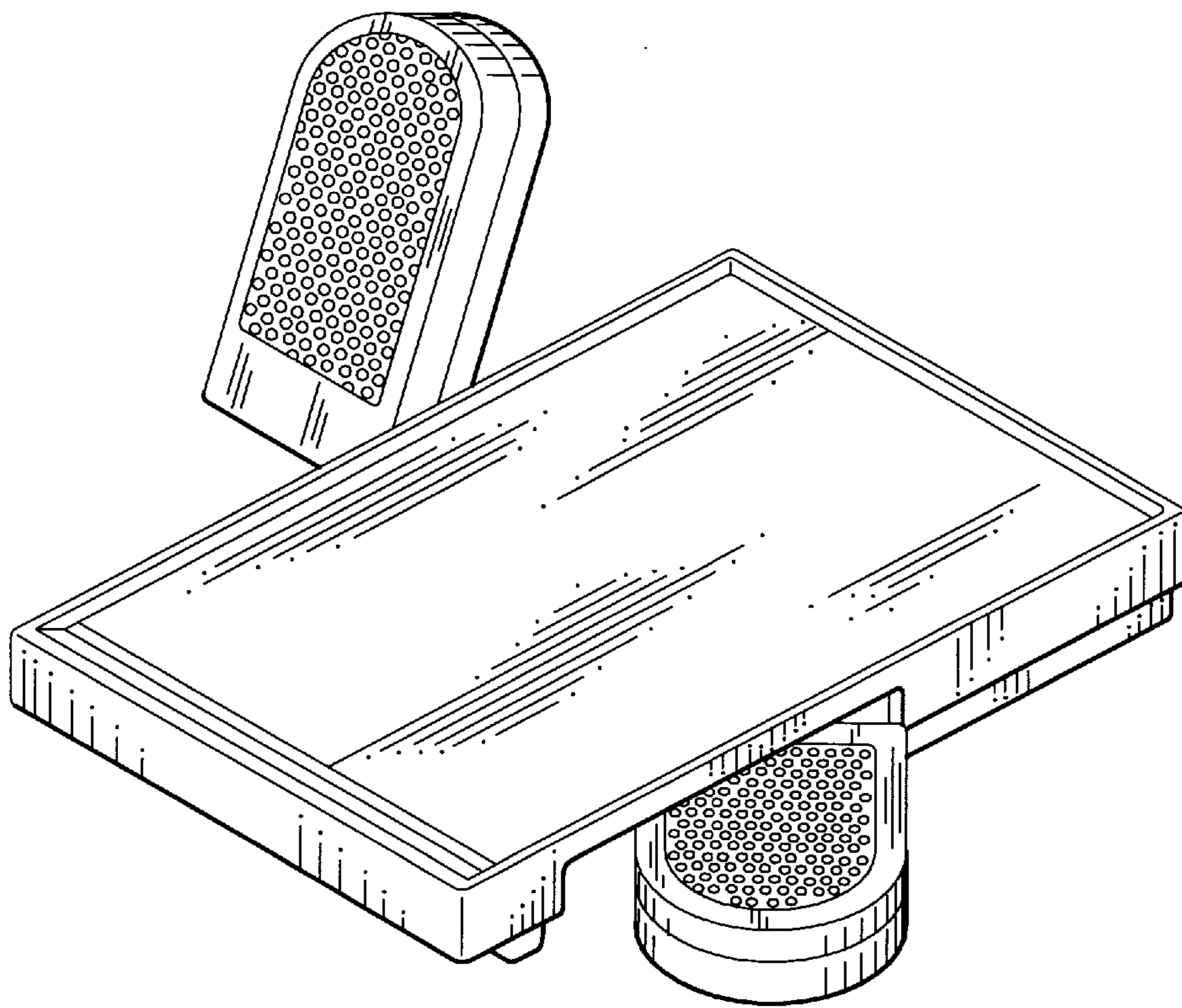


FIG. 2

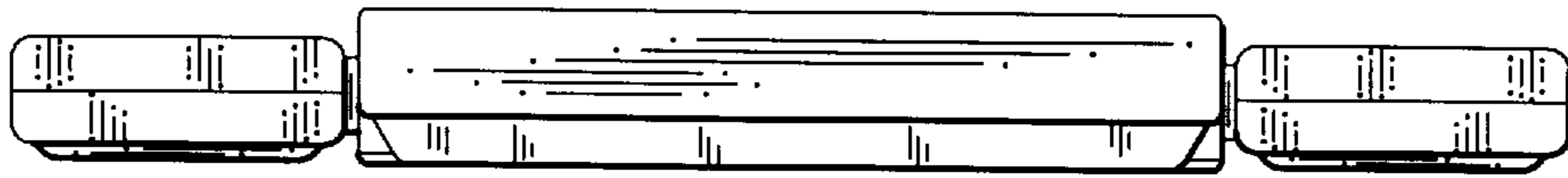


FIG. 3

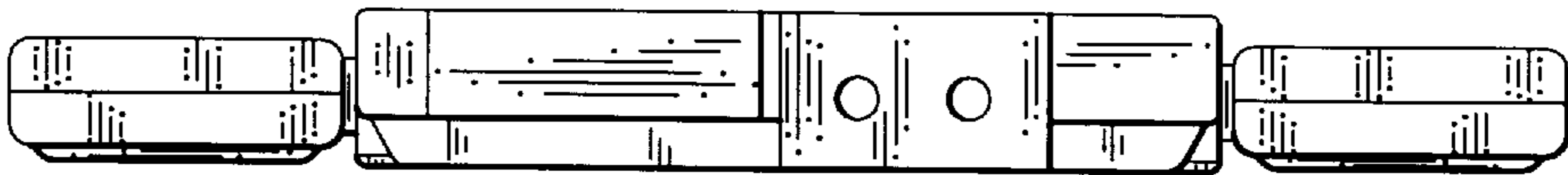


FIG. 4



FIG. 5

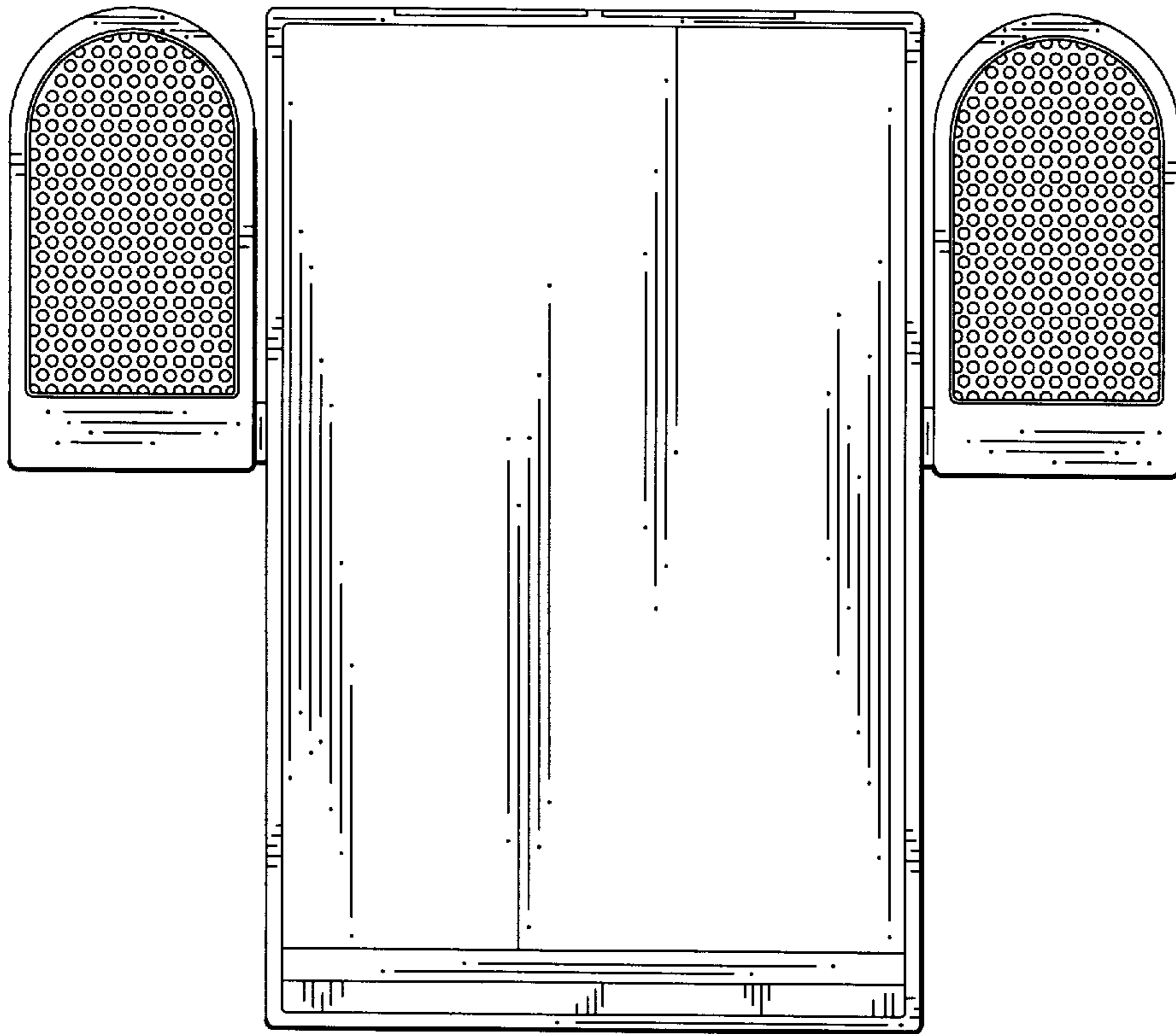


FIG. 6

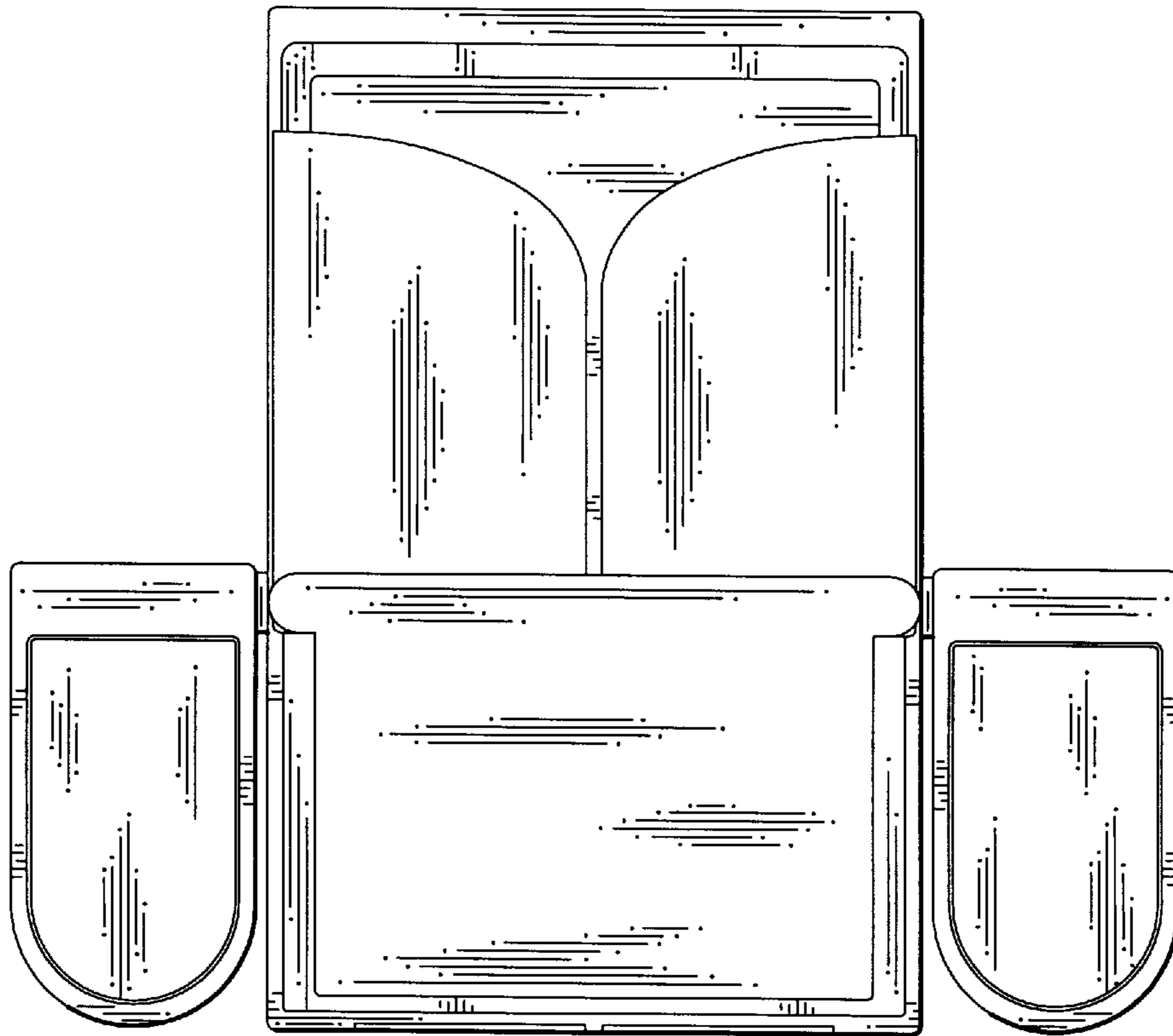


FIG. 7

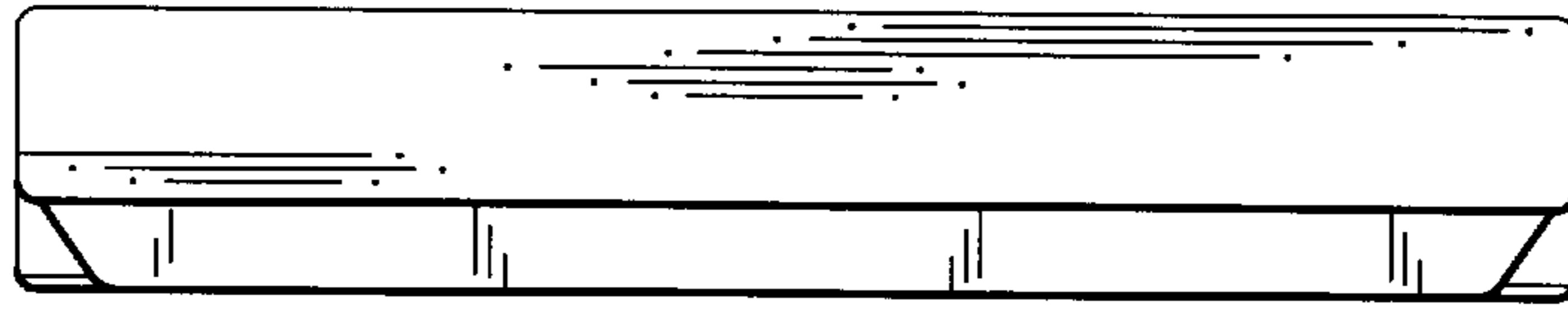


FIG. 8

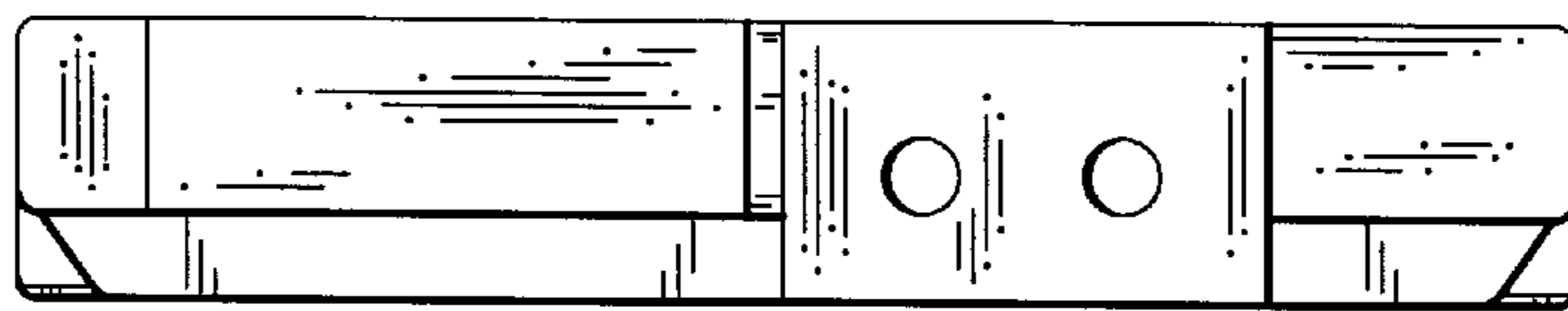


FIG. 9

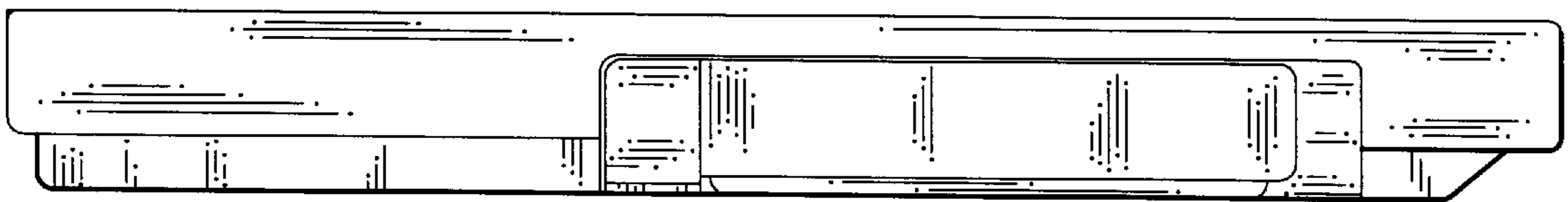


FIG. 10

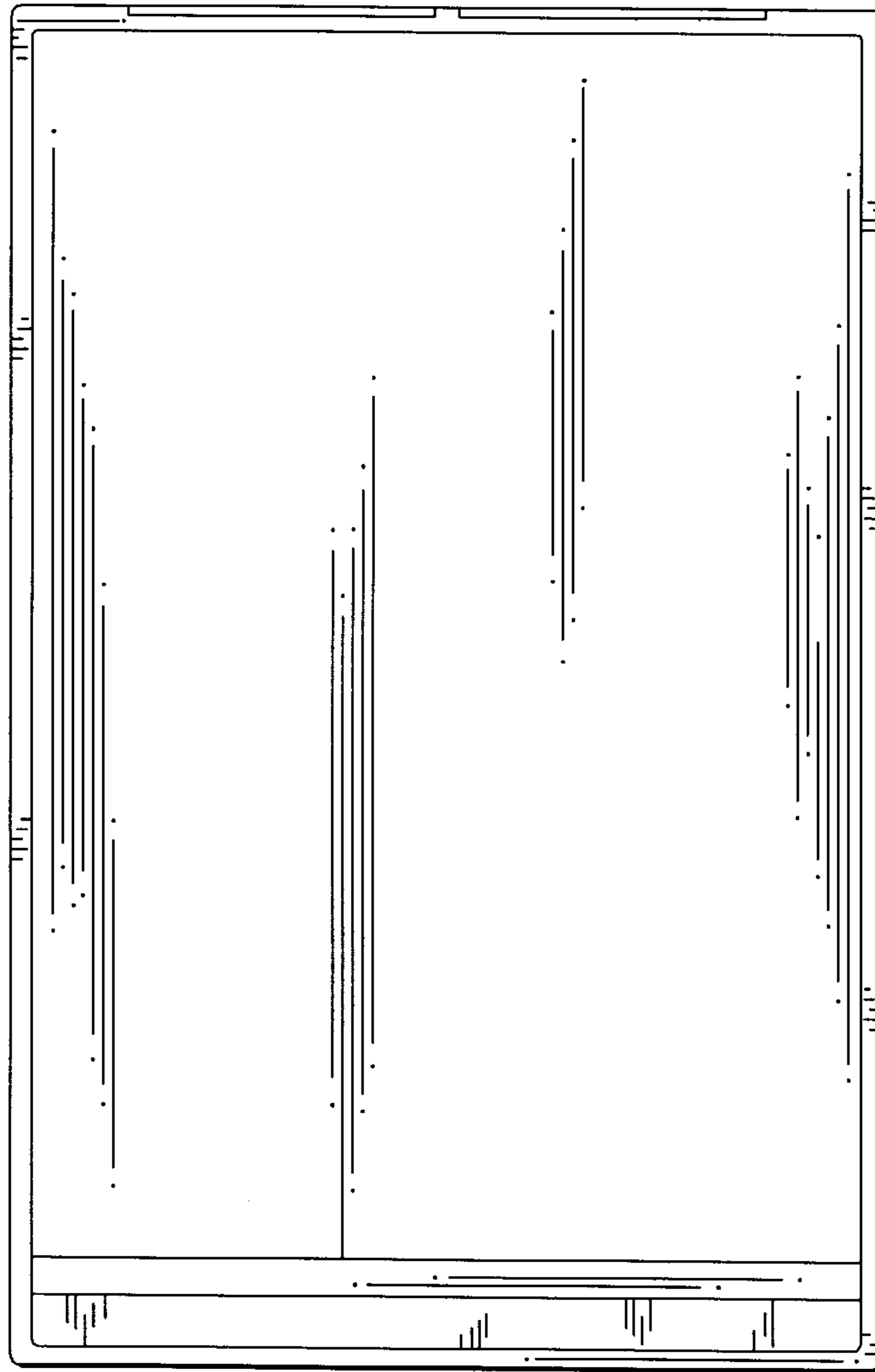


FIG. 11

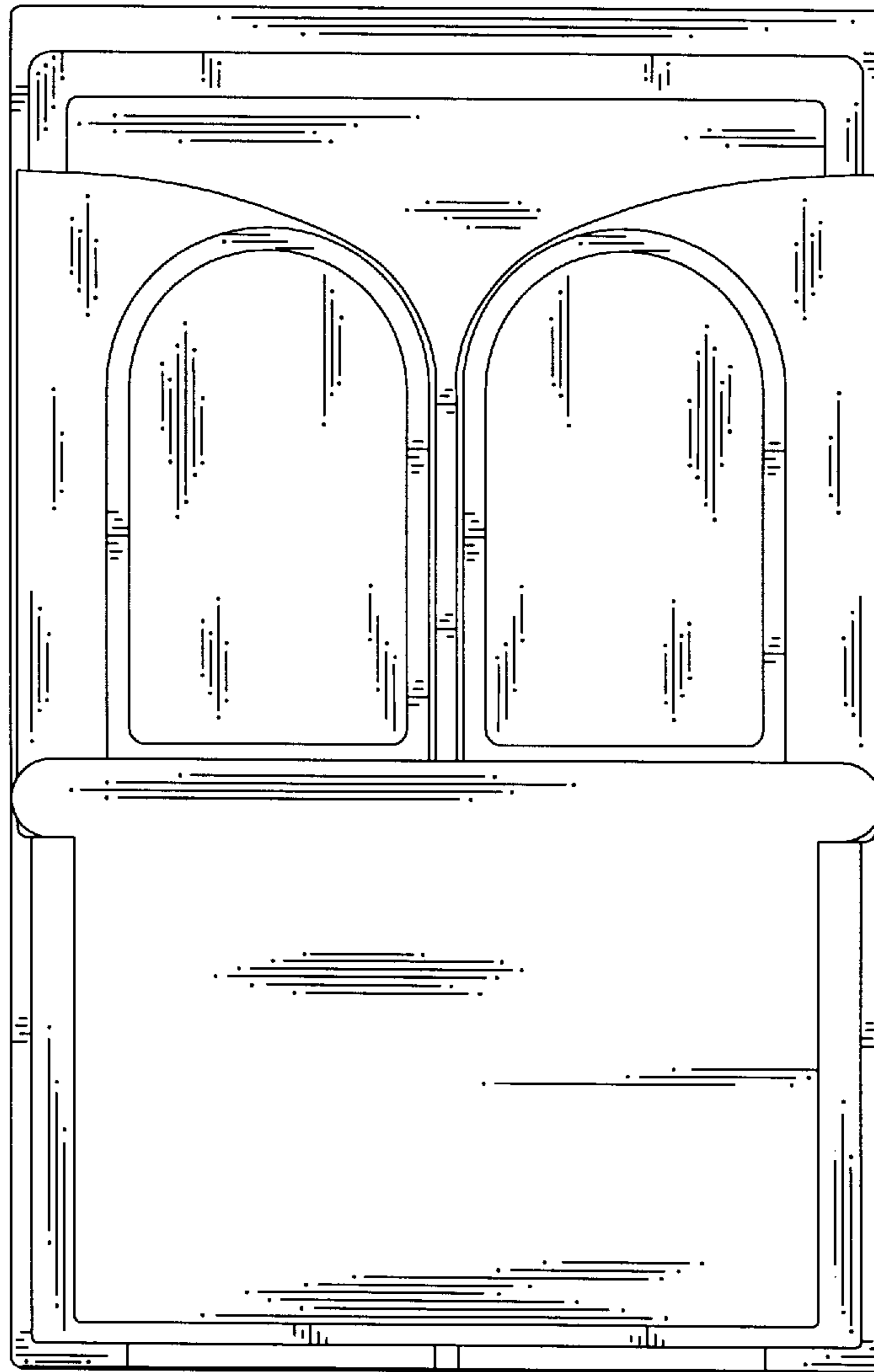


FIG. 12