



US00D398903S

REEXAMINATION CERTIFICATE (083989038)

United States Patent [19]

[11] **Des. 398,903**

Chacon et al.

[45] **Certificate Issued**

Sep. 29, 1998

[54] **HAND-HELD COMPUTER**

[75] Inventors: **Debbie Chacon**, Seattle; **Dan Blase**, Everett; **James R. Stewart**, Woodinville, all of Wash.

[73] Assignee: **Intermec Corporation**, Everett, Wash.

[**] Term: **14 Years**

[21] Appl. No.: **61,379**

[22] Filed: **Oct. 23, 1996**

[51] **LOC (6) Cl.** **14-02**

[52] **U.S. Cl.** **D14/100; D18/7**

[58] **Field of Search** D14/100, 106, D14/115; D18/1, 2, 7; 178/18, 19; 235/145 A, 145 R; 341/22, 23; 345/156, 168, 169, 172, 173, 87; 364/708.1

[56] **References Cited**

U.S. PATENT DOCUMENTS

D. 302,265	7/1989	Siegner et al.	D14/100
D. 312,622	12/1990	Alden et al.	D14/100
D. 332,604	1/1993	Miyake et al.	D14/100
D. 338,658	8/1993	Suzuki	D14/100
D. 357,917	5/1995	Ito et al.	D14/100 X

OTHER PUBLICATIONS

- 9445 Bar Code Trakker Scanner, Product Brochure, Intermec Corporation, Sep., 1993.
- Janus 2010 Hand-Held Data Collection Computer, Product Brochure, Intermec Corporation, Jun., 1993.
- 9430 Bar Code Portable Transaction Manager, Product Brochure, Intermec Corporation, Feb., 1992.
- 9189 Radio Frequency Gateway, Product Brochure, Intermec Corporation, Jan., 1992.
- 9560 Bar Code Transaction Manager, Product Brochure, Intermec Corporation, Oct., 1991.
- 9465 Radio Frequency Transaction Manager, Product Brochure, Intermec Corporation, Jul., 1991.
- 9191 1700 Satellite Wand Station & Keyboard, Product Brochure, Intermec Corporation, May, 1991.
- 9460 9462 Environmentally Sealed/Intrinsically Safe Trakkers, Product Brochure, Intermec Corporation, Apr., 1991.
- 1461 Charge-Coupled Device Scanner, Product Brochure, Intermec Corporation, Apr., 1991.

9550 Bar Code Transaction Manager, Product Brochure, Intermec Corporation, Mar., 1991.

9440 Bar Code Portable Transaction Manager, Product Brochure, Intermec Corporation, Jan., 1991.

9156 Bar Code Radio Frequency Gateway, Product Brochure, Intermec Corporation, Sep., 1990.

Primary Examiner—Freda Nunn

Attorney, Agent, or Firm—Seed and Berry LLP

[57] **CLAIM**

The ornamental design for a hand-held computer, as shown and described.

DESCRIPTION

FIG. 1 is a bottom front end isometric view of a first embodiment of a hand-held computer showing our new design;

FIG. 2 is a top rear end isometric view of the first embodiment;

FIG. 3 is a rear end elevational view of the first embodiment;

FIG. 4 is a front end elevational view of the first embodiment;

FIG. 5 is a right side elevational view of the first embodiment;

FIG. 6 is a left side elevational view of the first embodiment;

FIG. 7 is a bottom plan view of the first embodiment;

FIG. 8 is a top plan view of the first embodiment;

FIG. 9 is a bottom front end isometric view of a second embodiment of a hand-held computer showing our new design;

FIG. 10 is a top rear end isometric view of the second embodiment;

FIG. 11 is a rear end elevational view of the second embodiment;

FIG. 12 is a front end elevational view of the second embodiment;

FIG. 13 is a right side elevational view of the second embodiment;

FIG. 14 is a left side elevational view of the second embodiment;

FIG. 15 is a bottom plan view of the second embodiment; and,

FIG. 16 is a top plan view of the second embodiment.

The broken lines in the figures are for illustrative purposes only and form no part of the claimed design.

1 Claim, 8 Drawing Sheets

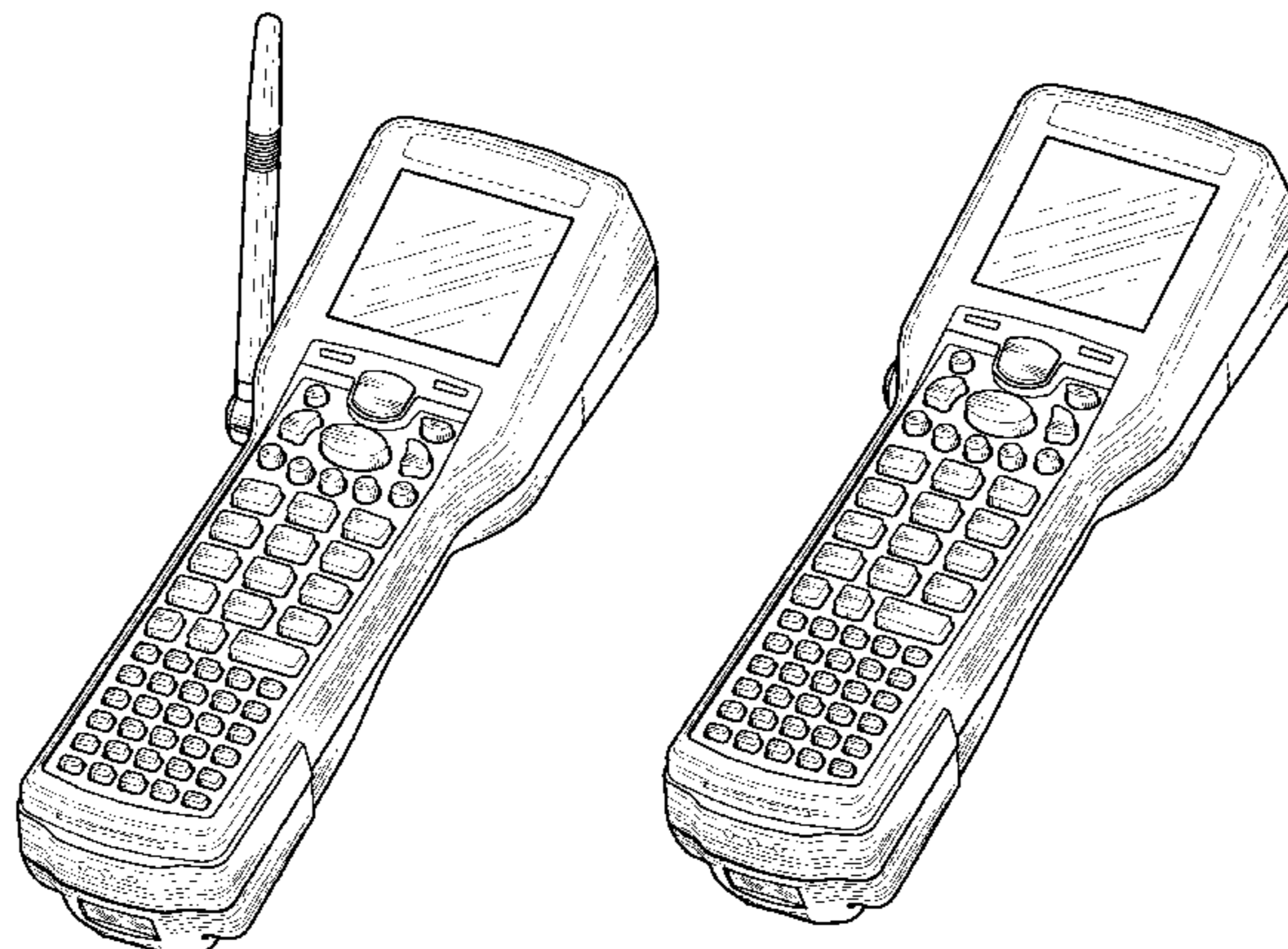


Fig. 1

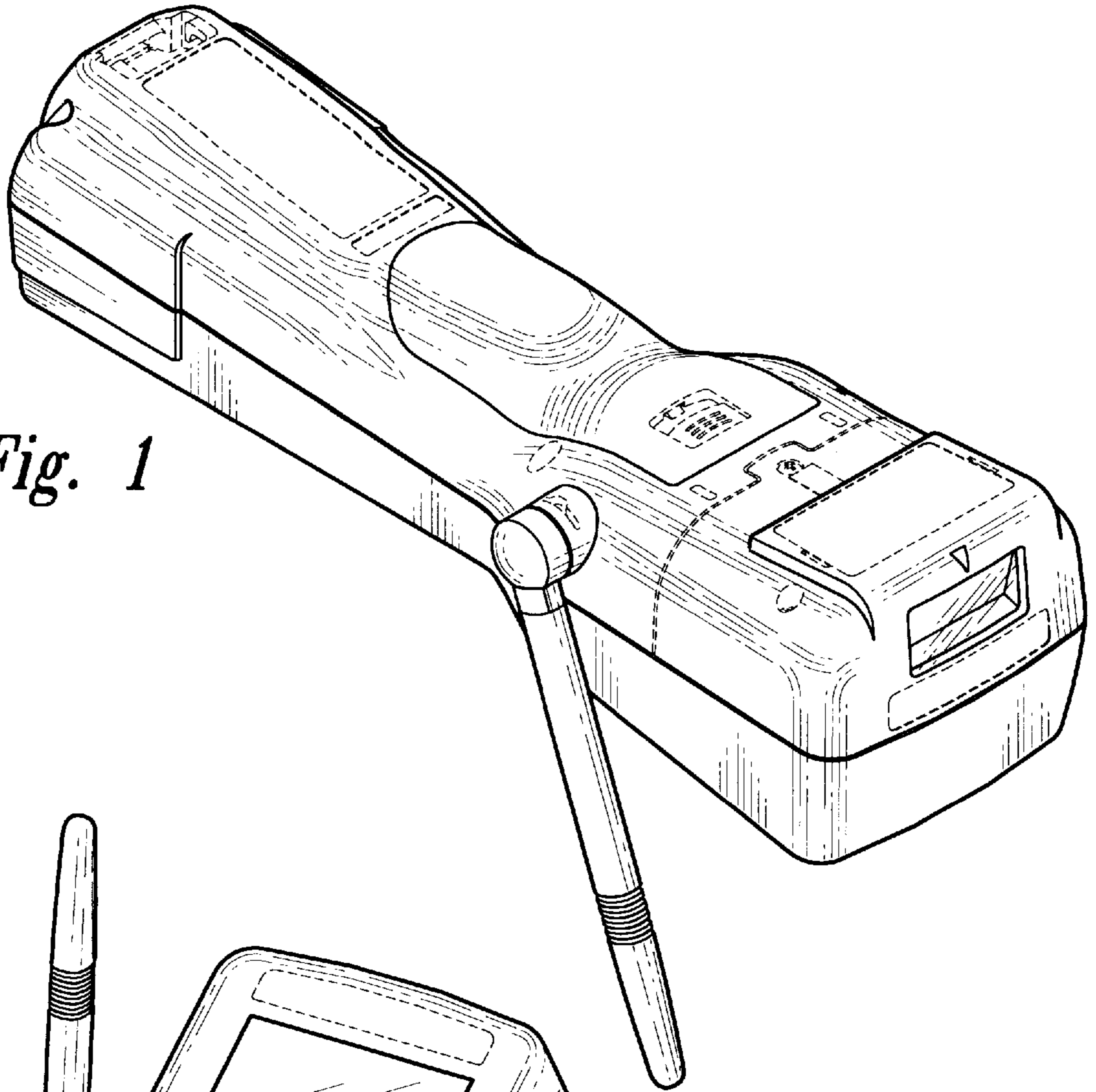


Fig. 2

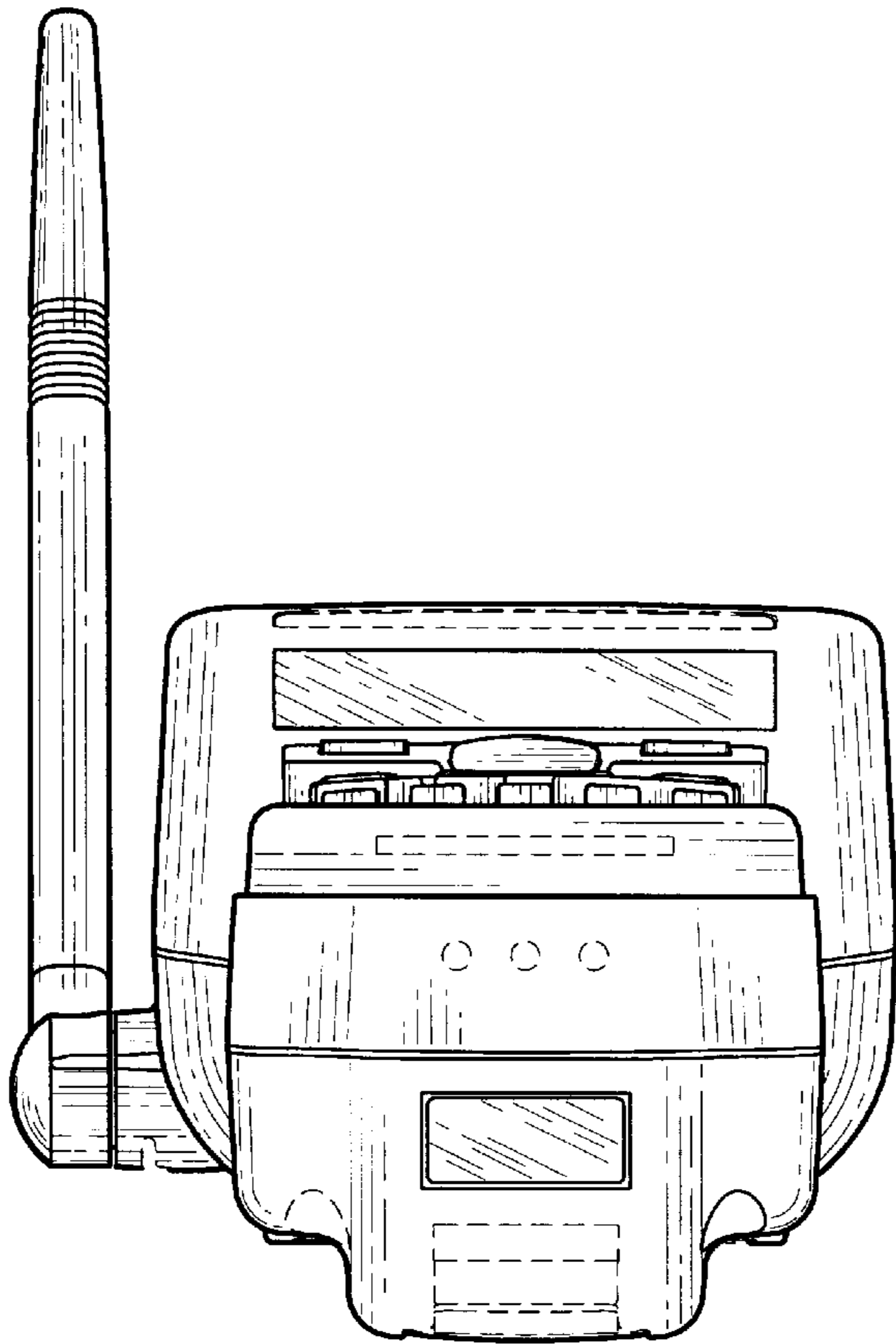


Fig. 3

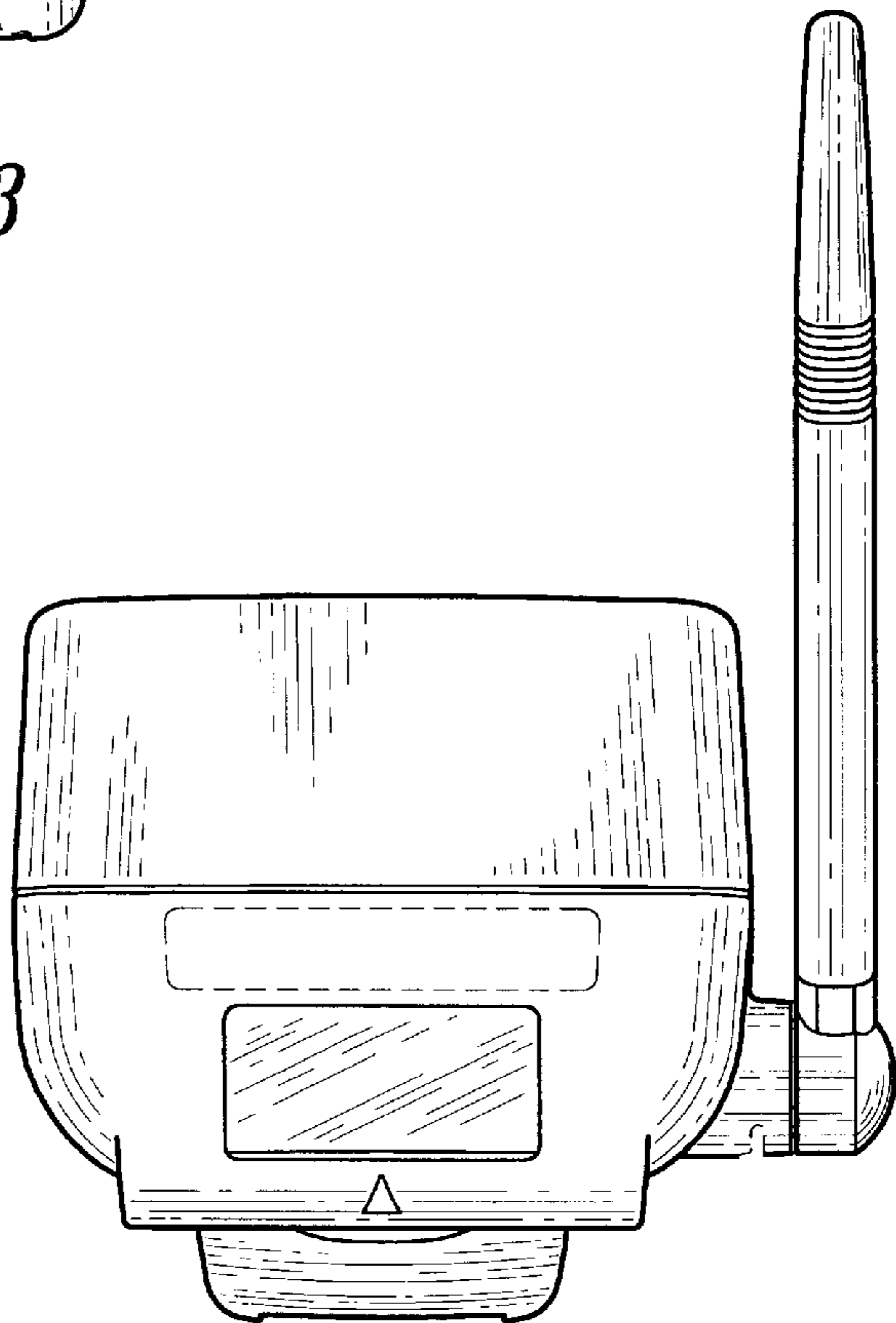


Fig. 4

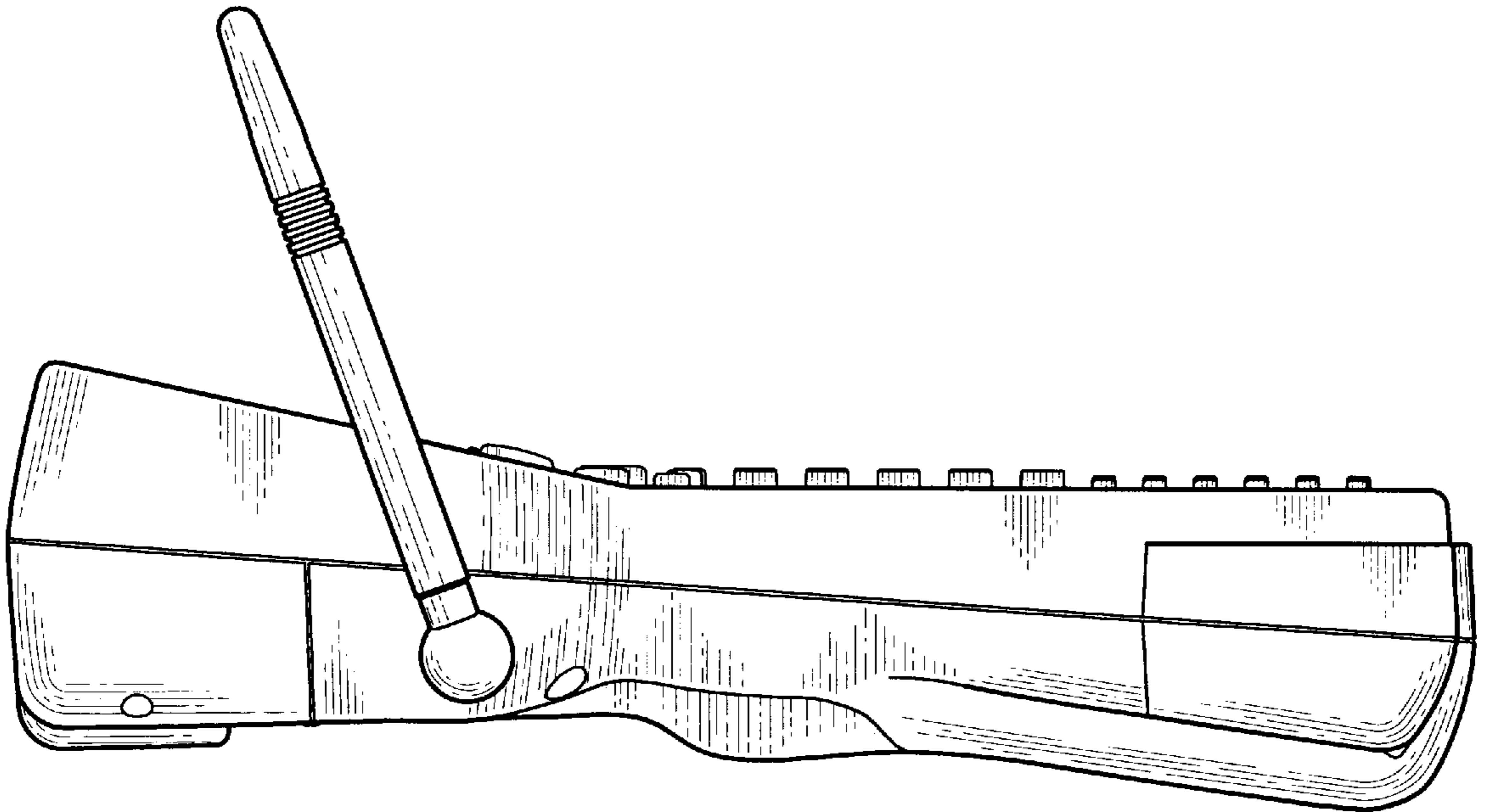


Fig. 5

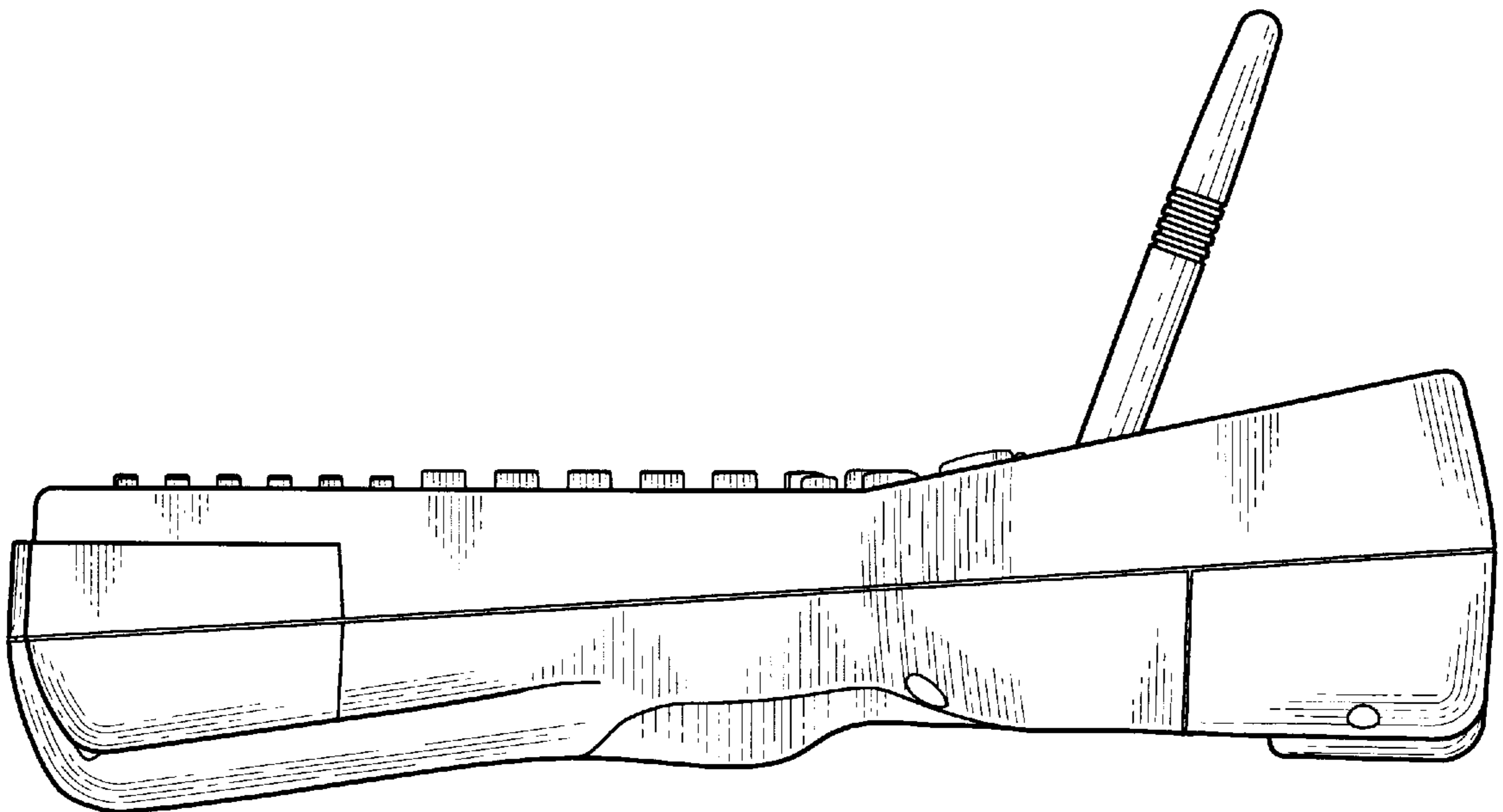


Fig. 6

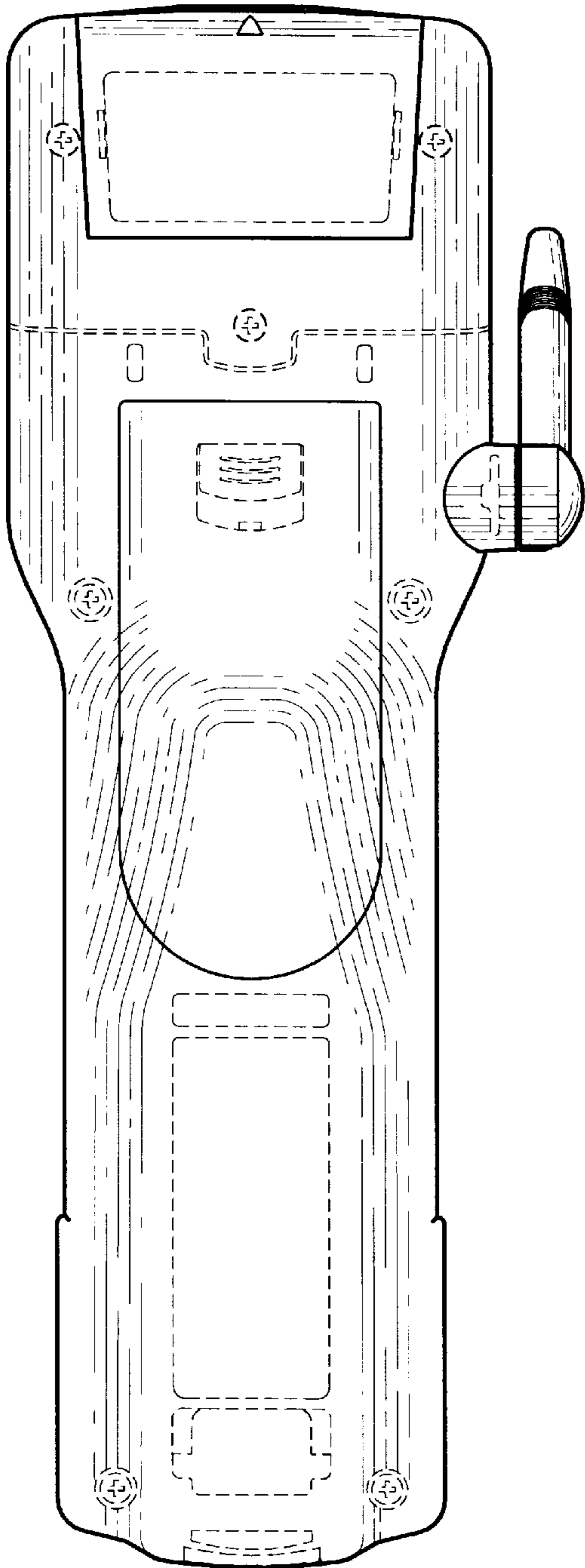


Fig. 7

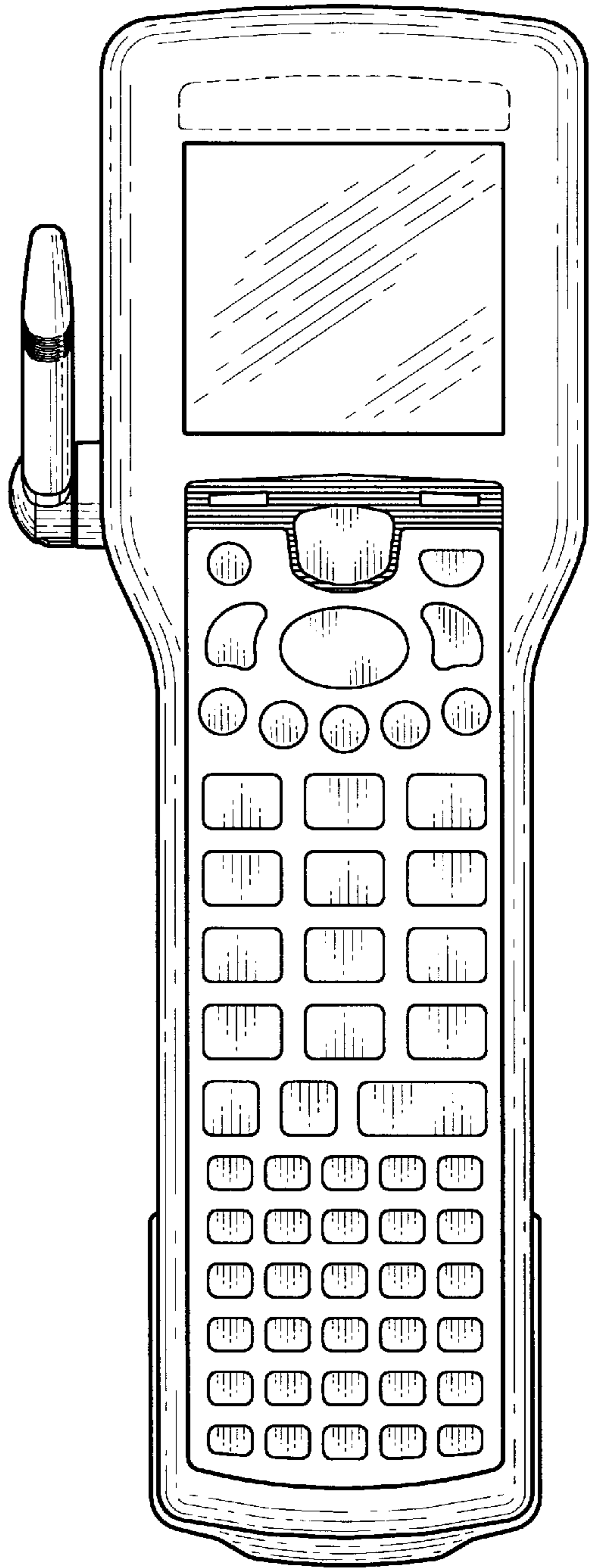


Fig. 8

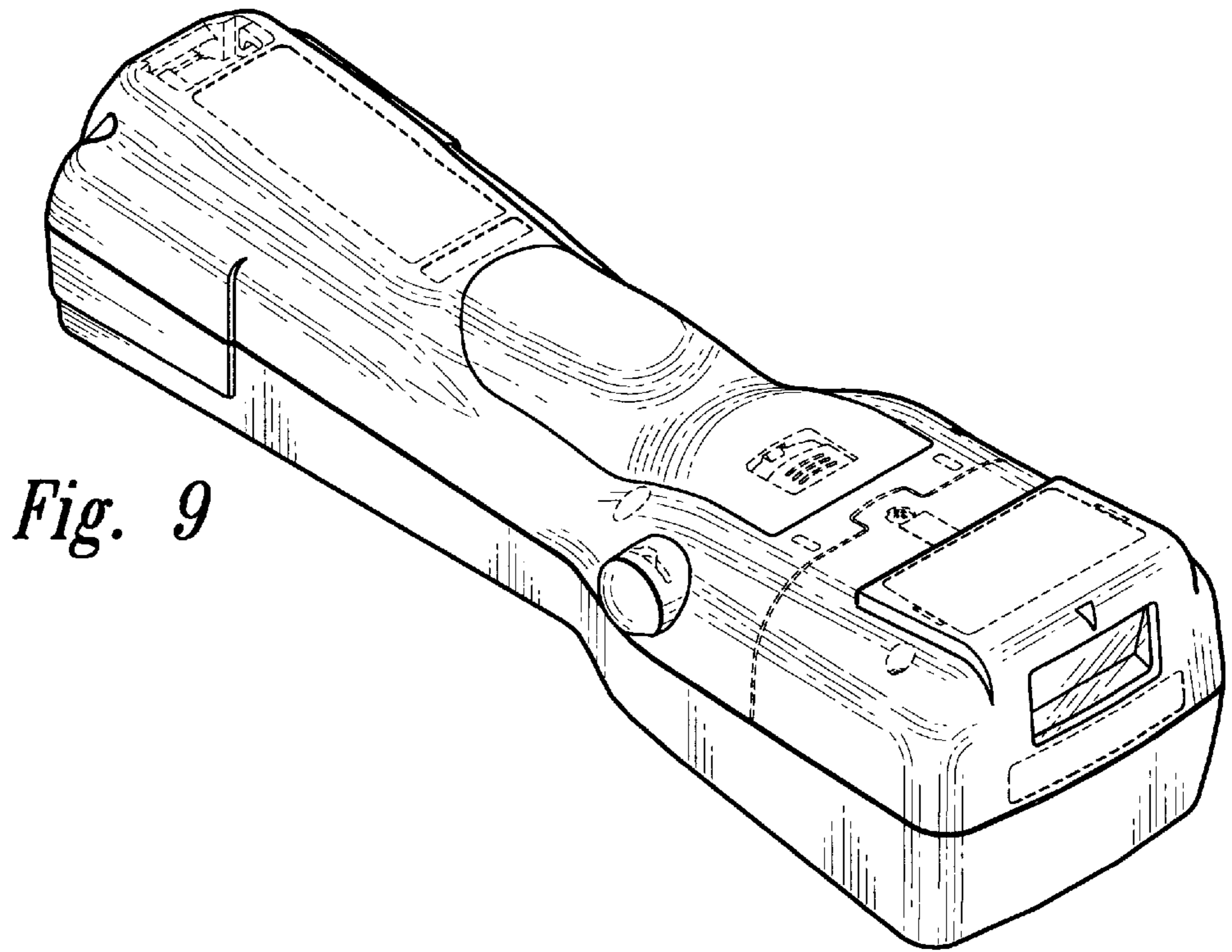


Fig. 9

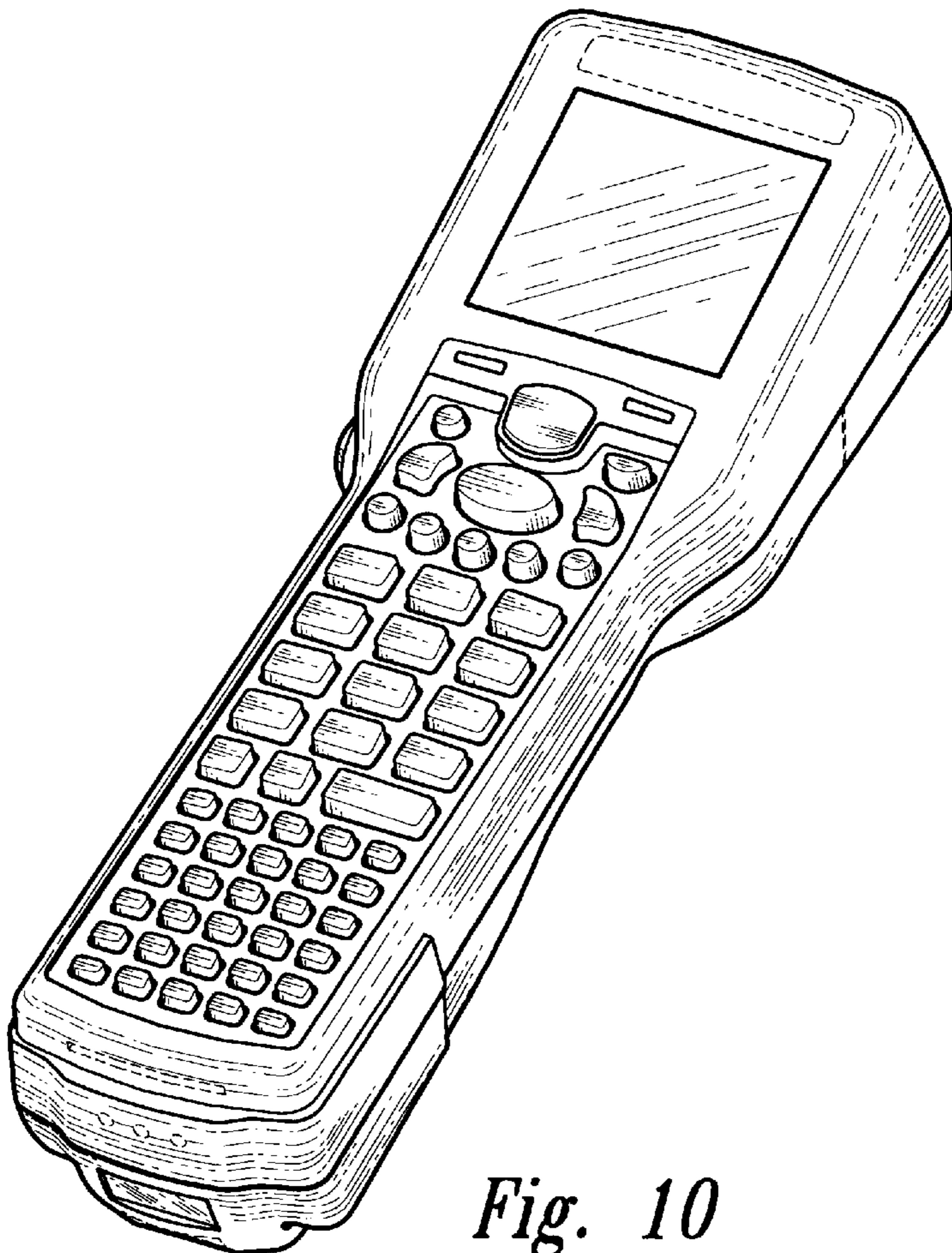


Fig. 10

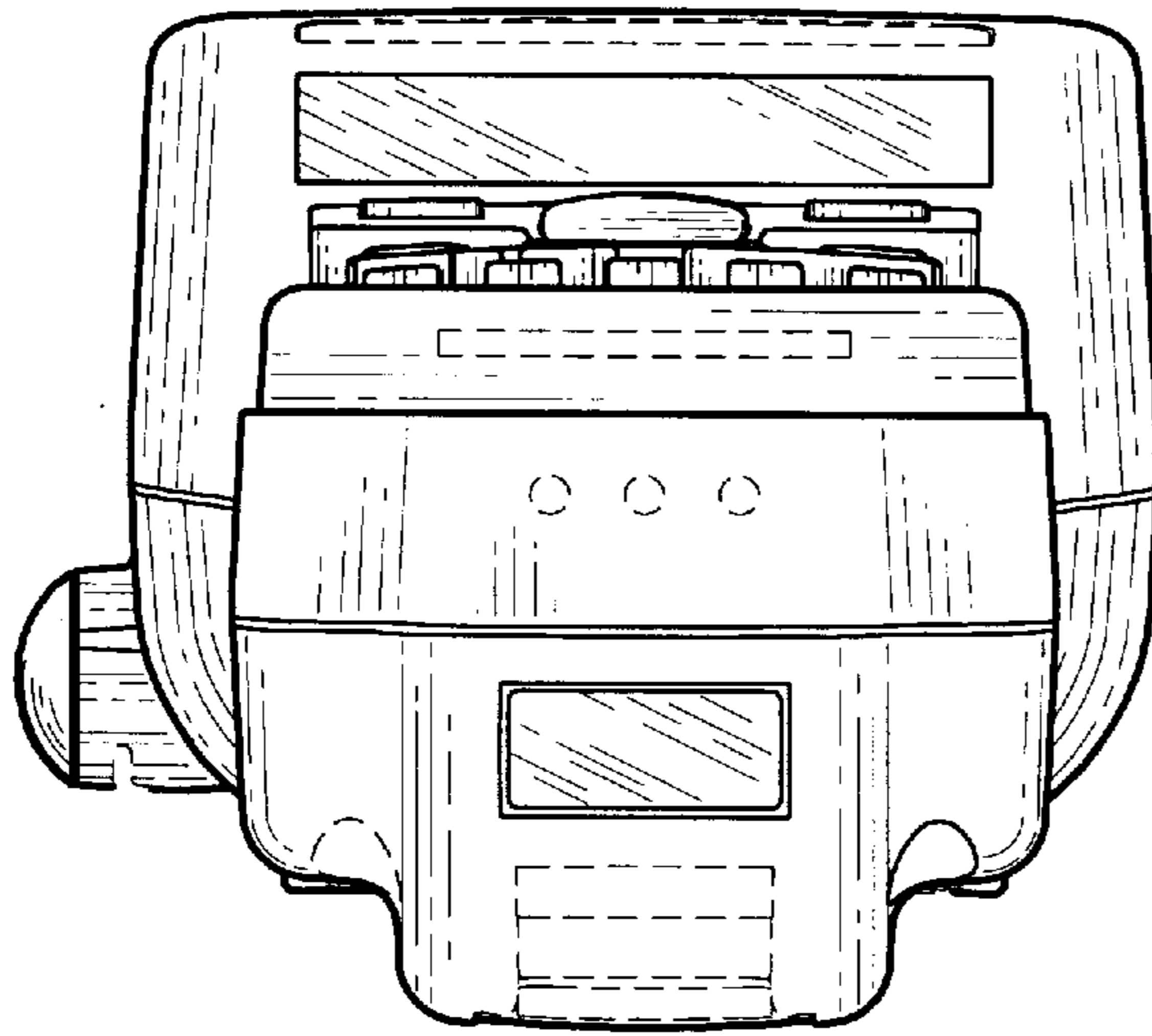


Fig. 11

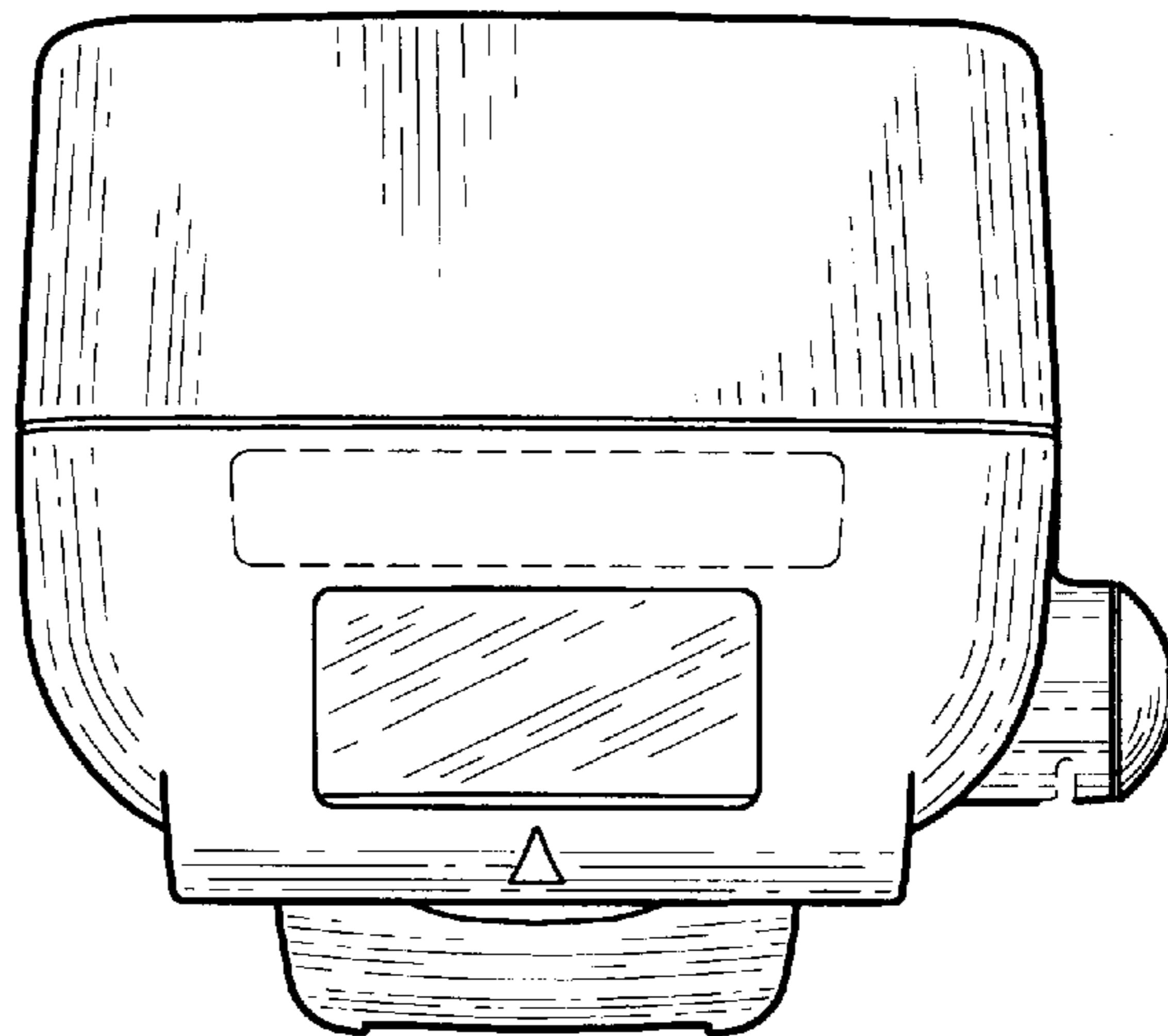


Fig. 12

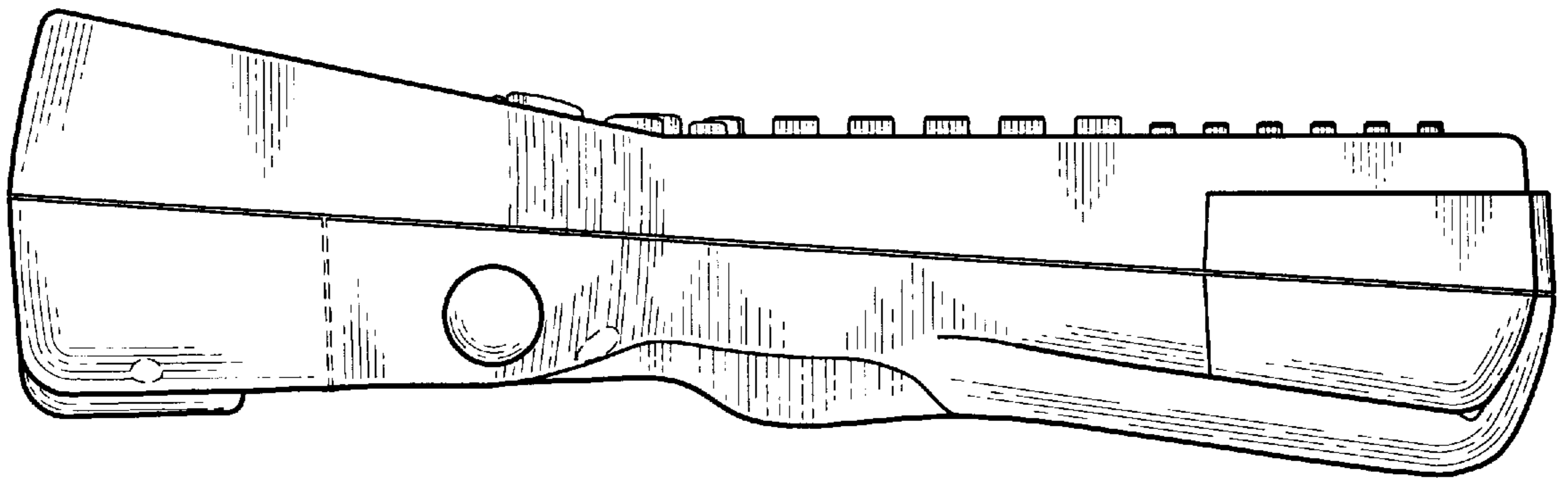


Fig. 13

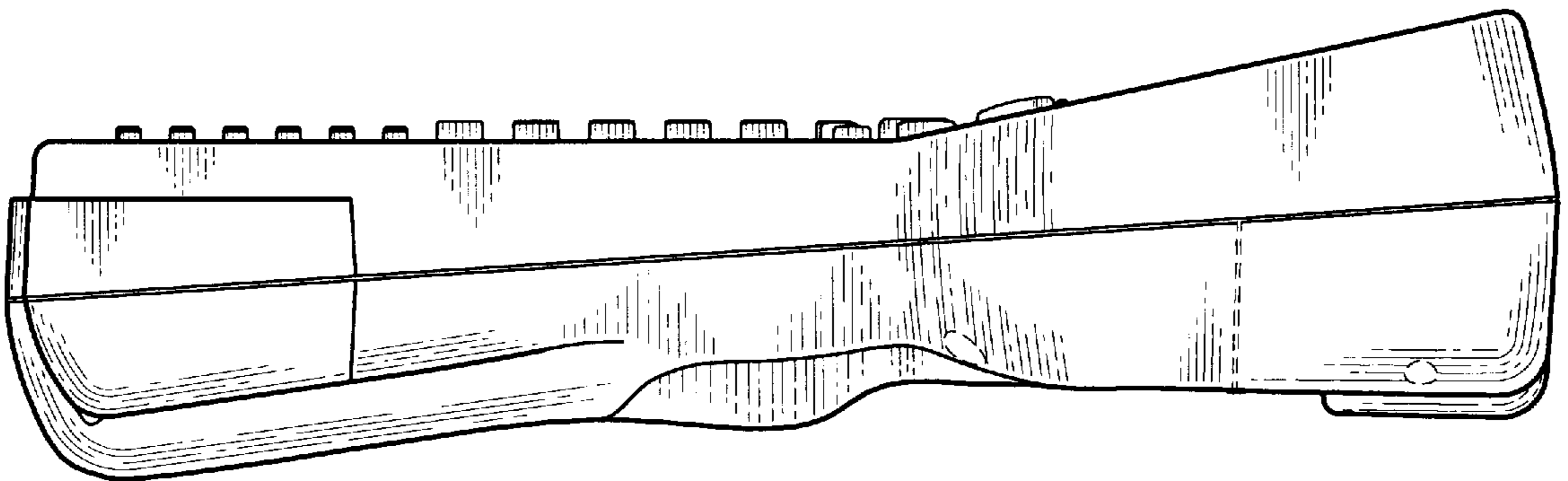


Fig. 14

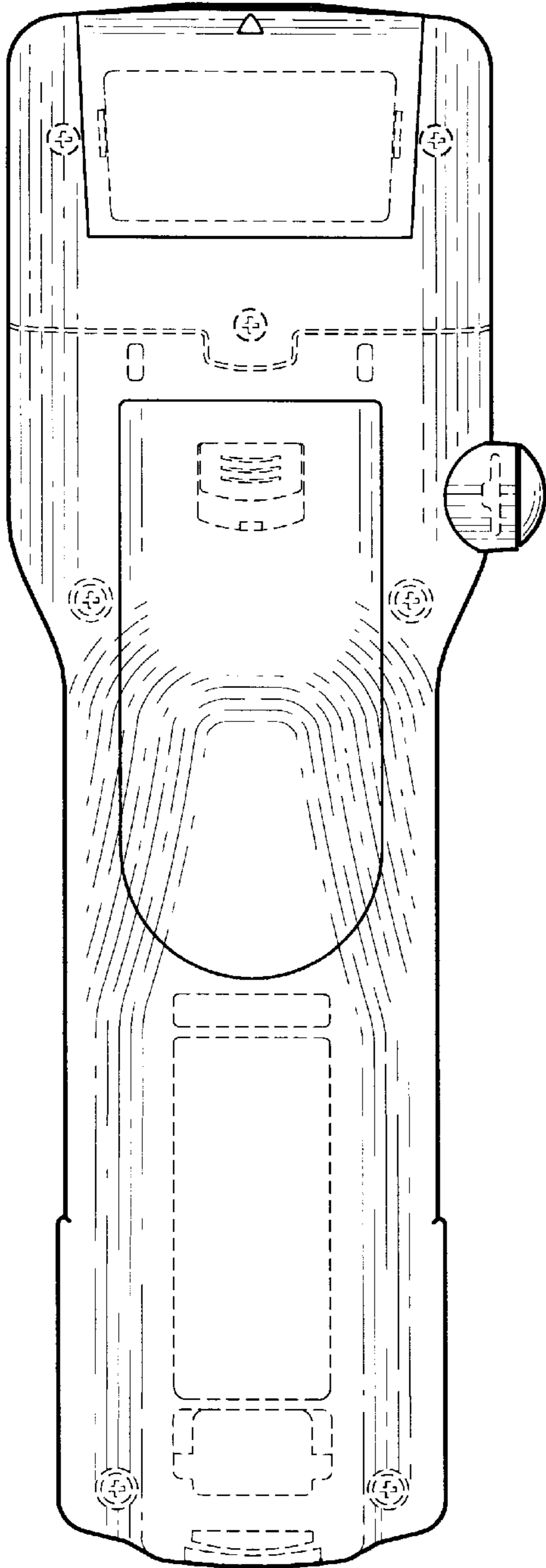


Fig. 15

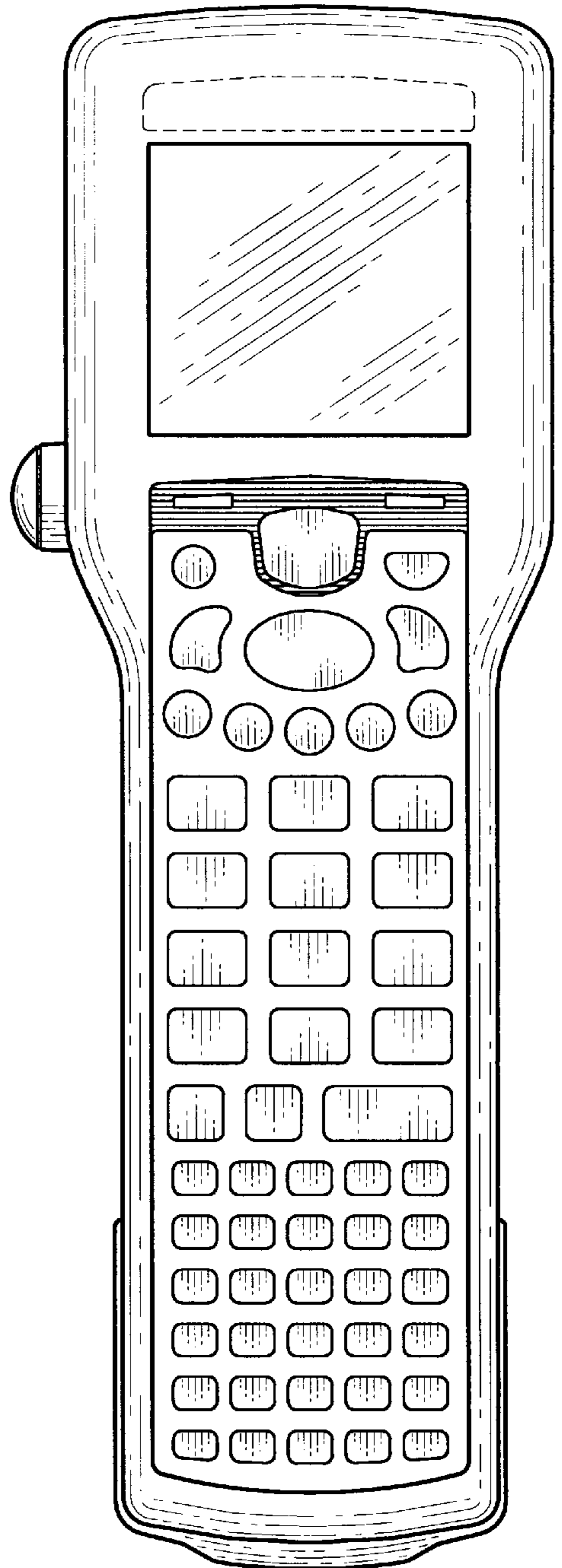


Fig. 16



US00D398903S

REEXAMINATION CERTIFICATE (083989038)

United States Patent [19]

[11] **Des. 398,903**

Chacon et al.

[45] **Certificate Issued Sep. 29, 1998**

[54] **HAND-HELD COMPUTER**

[75] Inventors: **Debbie Chacon**, Seattle; **Dan Blase**, Everett; **James R. Stewart**, Woodinville, all of Wash.

[73] Assignee: **Intermec Corporation**, Everett, Wash.

[**] Term: **14 Years**

[21] Appl. No.: **61,379**

[22] Filed: **Oct. 23, 1996**

[51] LOC (6) Cl. **14-02**

[52] U.S. Cl. **D14/100; D18/7**

[58] Field of Search **D14/100, 106, D14/115; D18/1, 2, 7; 178/18, 19; 235/145 A, 145 R; 341/22, 23; 345/156, 168, 169, 172, 173, 87; 364/708.1**

[56] **References Cited**

U.S. PATENT DOCUMENTS

D. 302,265	7/1989	Siegner et al.	D14/100
D. 312,622	12/1990	Alden et al.	D14/100
D. 332,604	1/1993	Miyake et al.	D14/100
D. 338,658	8/1993	Suzuki	D14/100
D. 357,917	5/1995	Ito et al.	D14/100 X

OTHER PUBLICATIONS

- 9445 Bar Code Trakker Scanner, Product Brochure, Intermec Corporation, Sep., 1993.
- Janus 2010 Hand-Held Data Collection Computer, Product Brochure, Intermec Corporation, Jun., 1993.
- 9430 Bar Code Portable Transaction Manager, Product Brochure, Intermec Corporation, Feb., 1992.
- 9189 Radio Frequency Gateway, Product Brochure, Intermec Corporation, Jan., 1992.
- 9560 Bar Code Transaction Manager, Product Brochure, Intermec Corporation, Oct., 1991.
- 9465 Radio Frequency Transaction Manager, Product Brochure, Intermec Corporation, Jul., 1991.
- 9191 1700 Satellite Wand Station & Keyboard, Product Brochure, Intermec Corporation, May, 1991.
- 9460 9462 Environmentally Sealed/Intrinsically Safe Trakkers, Product Brochure, Intermec Corporation, Apr., 1991.
- 1461 Charge-Coupled Device Scanner, Product Brochure, Intermec Corporation, Apr., 1991.

- 9550 Bar Code Transaction Manager, Product Brochure, Intermec Corporation, Mar., 1991.
- 9440 Bar Code Portable Transaction Manager, Product Brochure, Intermec Corporation, Jan., 1991.
- 9156 Bar Code Radio Frequency Gateway, Product Brochure, Intermec Corporation, Sep., 1990.

Primary Examiner—Freda Nunn
Attorney, Agent, or Firm—Seed and Berry LLP

[57] **CLAIM**

The ornamental design for a hand-held computer, as shown and described.

DESCRIPTION

FIG. 1 is a bottom front end isometric view of a first embodiment of a hand-held computer showing our new design;

FIG. 2 is a top rear end isometric view of the first embodiment;

FIG. 3 is a rear end elevational view of the first embodiment;

FIG. 4 is a front end elevational view of the first embodiment;

FIG. 5 is a right side elevational view of the first embodiment;

FIG. 6 is a left side elevational view of the first embodiment;

FIG. 7 is a bottom plan view of the first embodiment;

FIG. 8 is a top plan view of the first embodiment;

FIG. 9 is a bottom front end isometric view of a second embodiment of a hand-held computer showing our new design;

FIG. 10 is a top rear end isometric view of the second embodiment;

FIG. 11 is a rear end elevational view of the second embodiment;

FIG. 12 is a front end elevational view of the second embodiment;

FIG. 13 is a right side elevational view of the second embodiment;

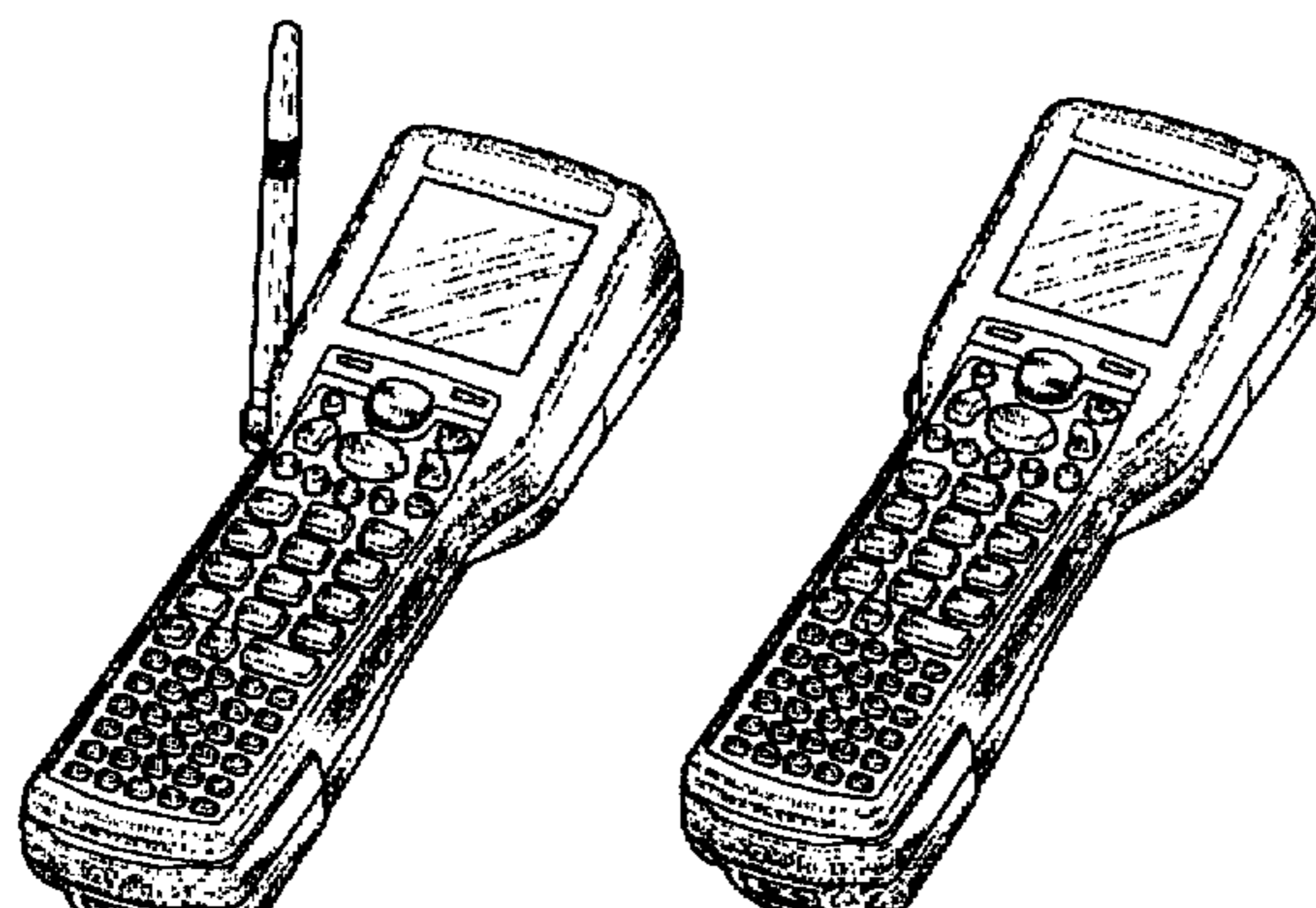
FIG. 14 is a left side elevational view of the second embodiment;

FIG. 15 is a bottom plan view of the second embodiment; and,

FIG. 16 is a top plan view of the second embodiment.

The broken lines in the figures are for illustrative purposes only and form no part of the claimed design.

1 Claim, 8 Drawing Sheets



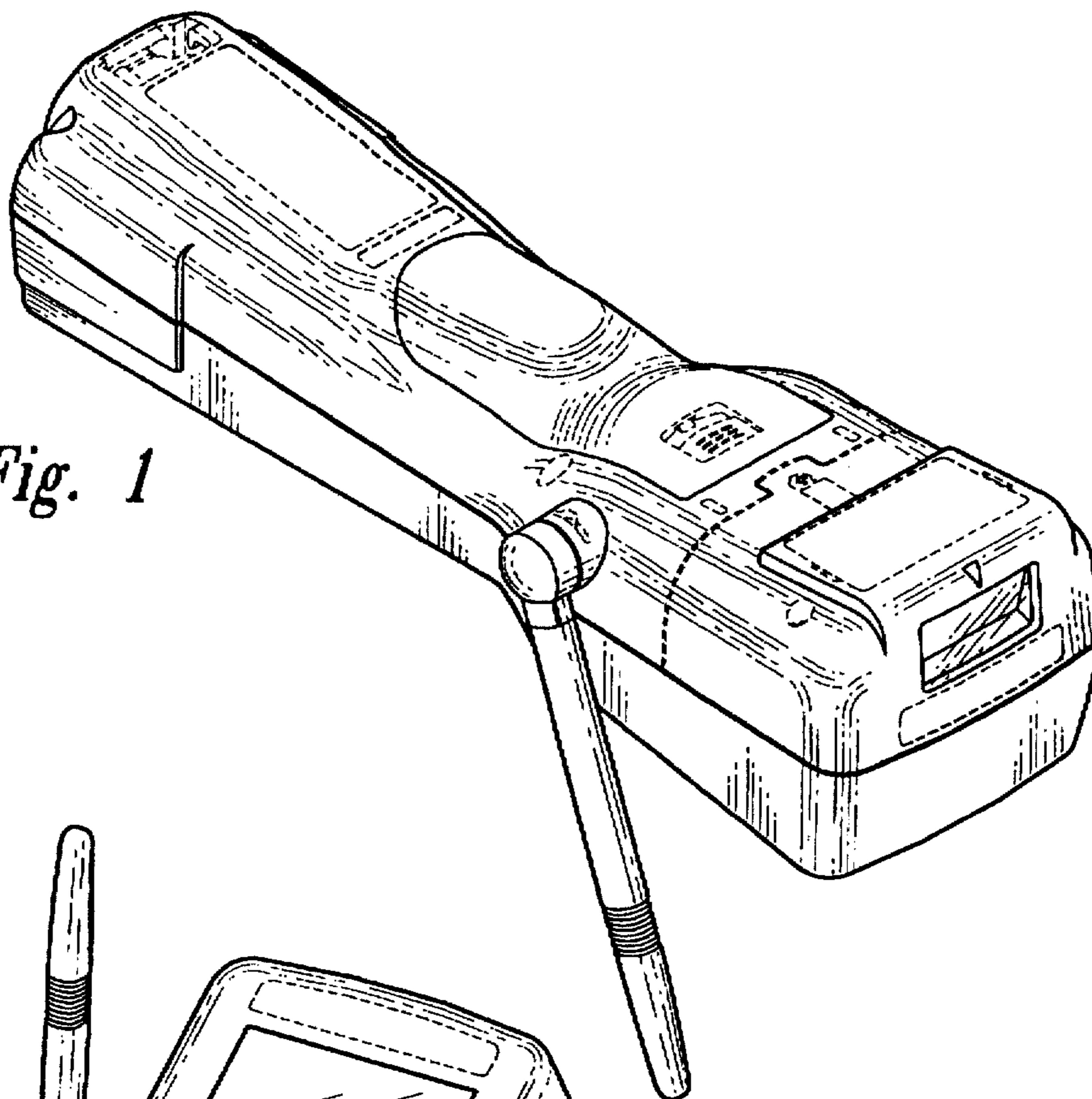


Fig. 1

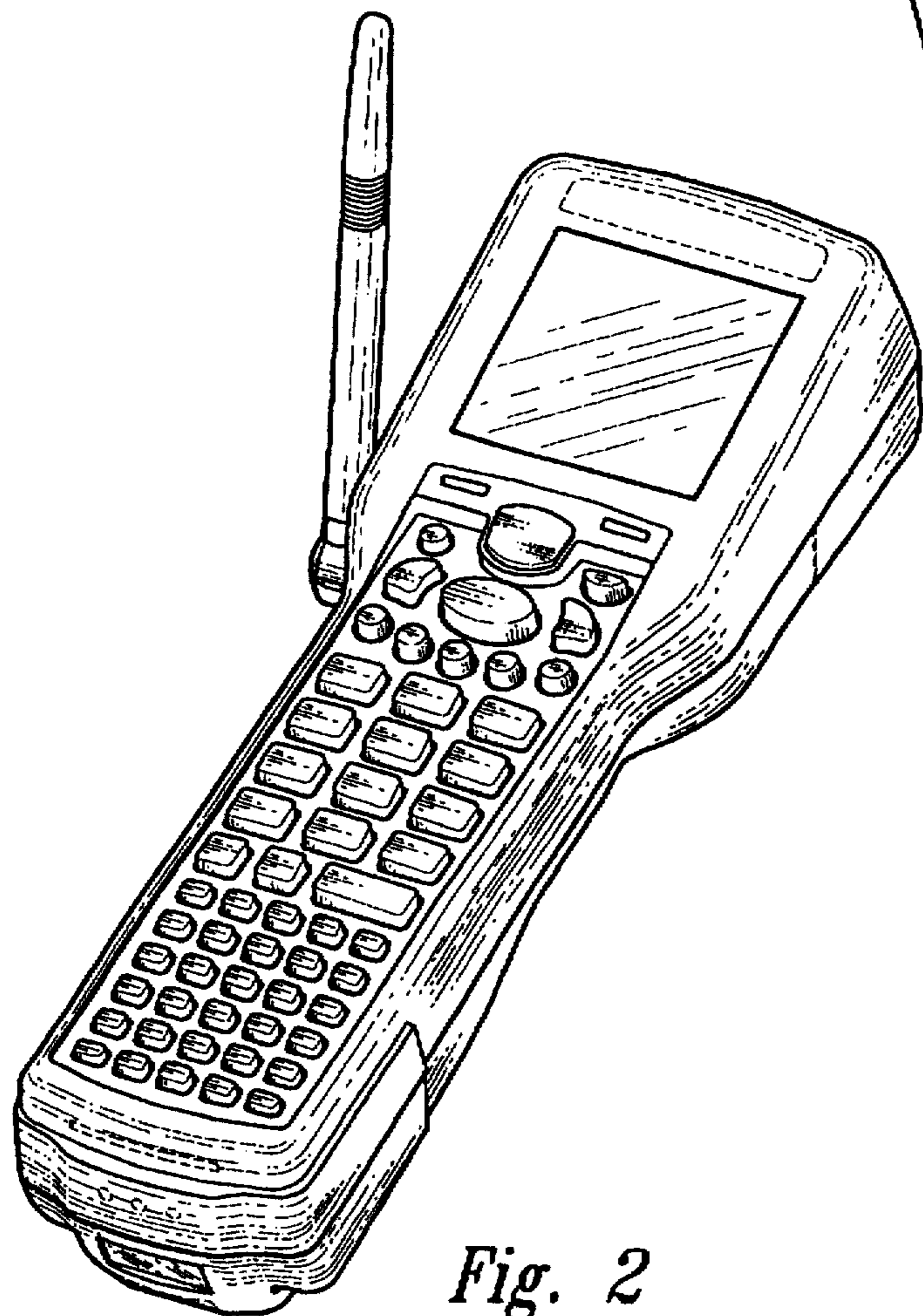


Fig. 2

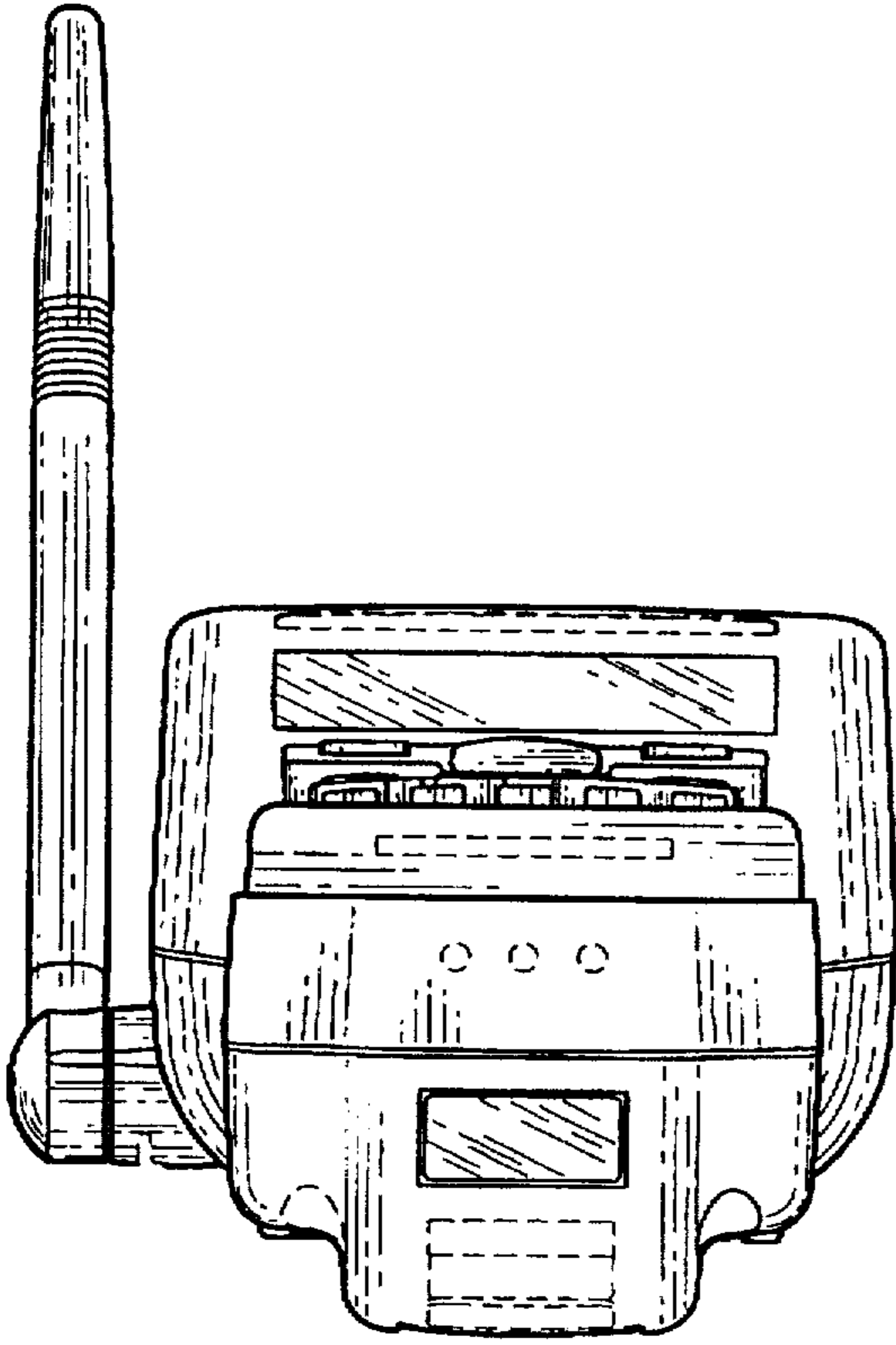


Fig. 3

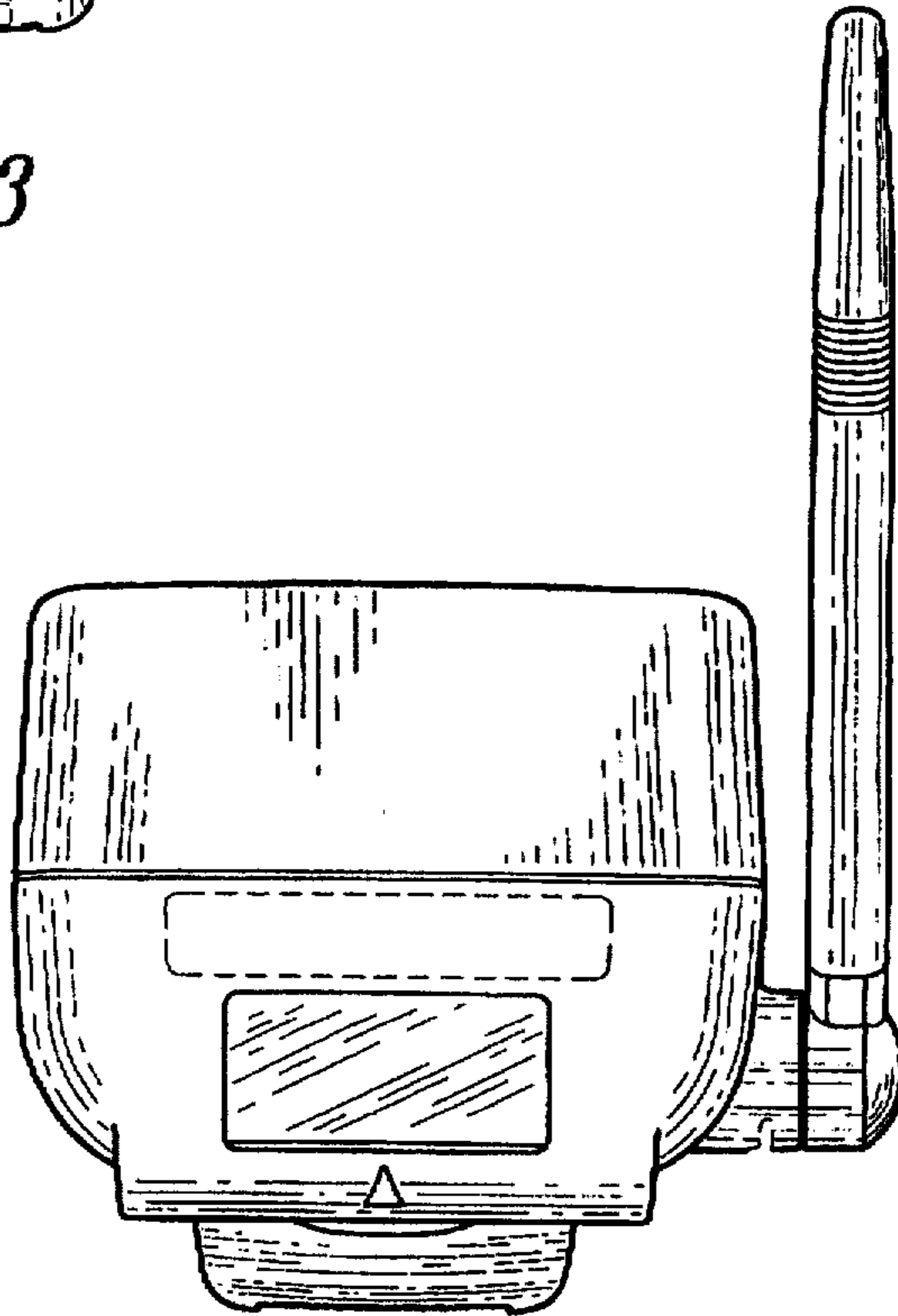


Fig. 4

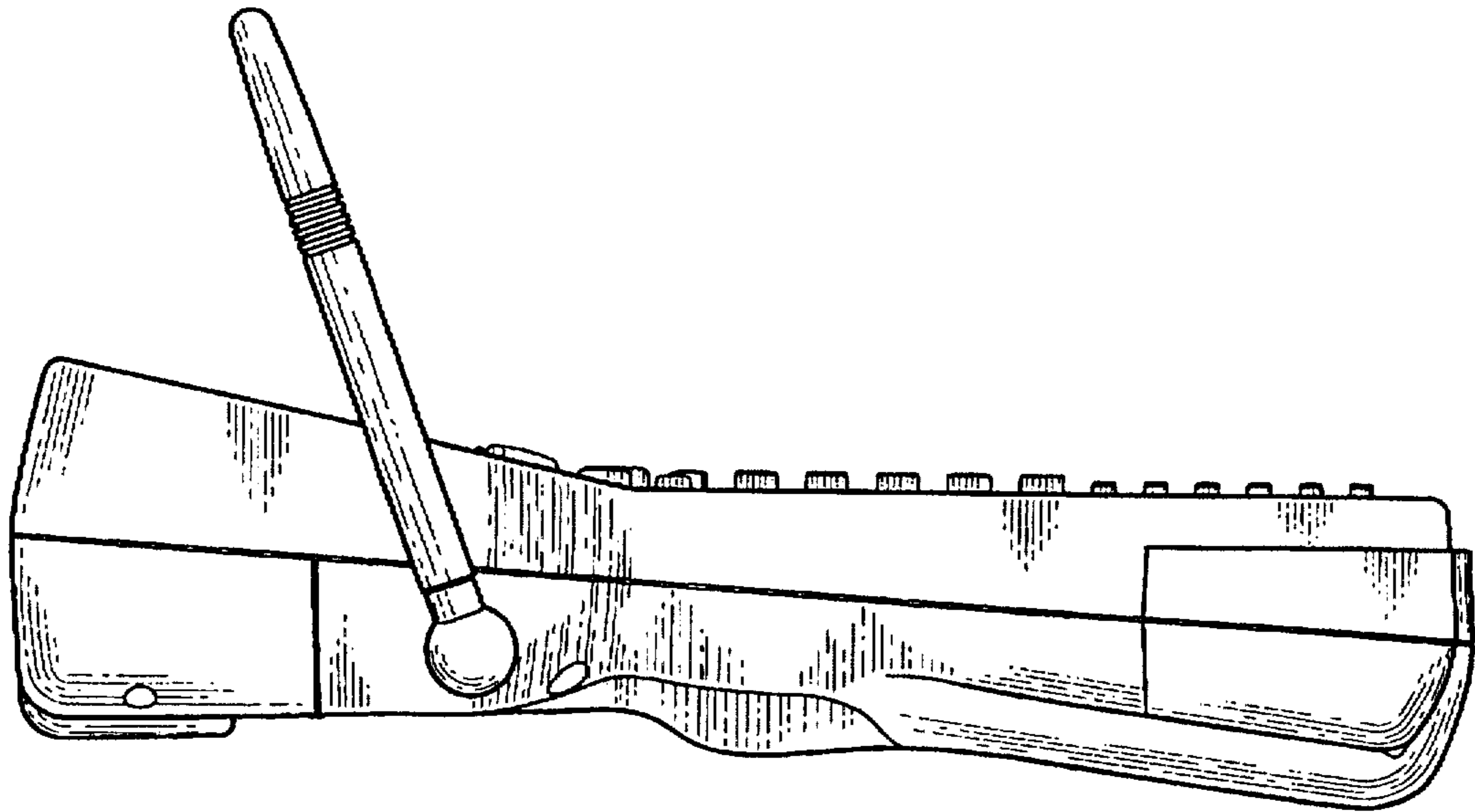


Fig. 5

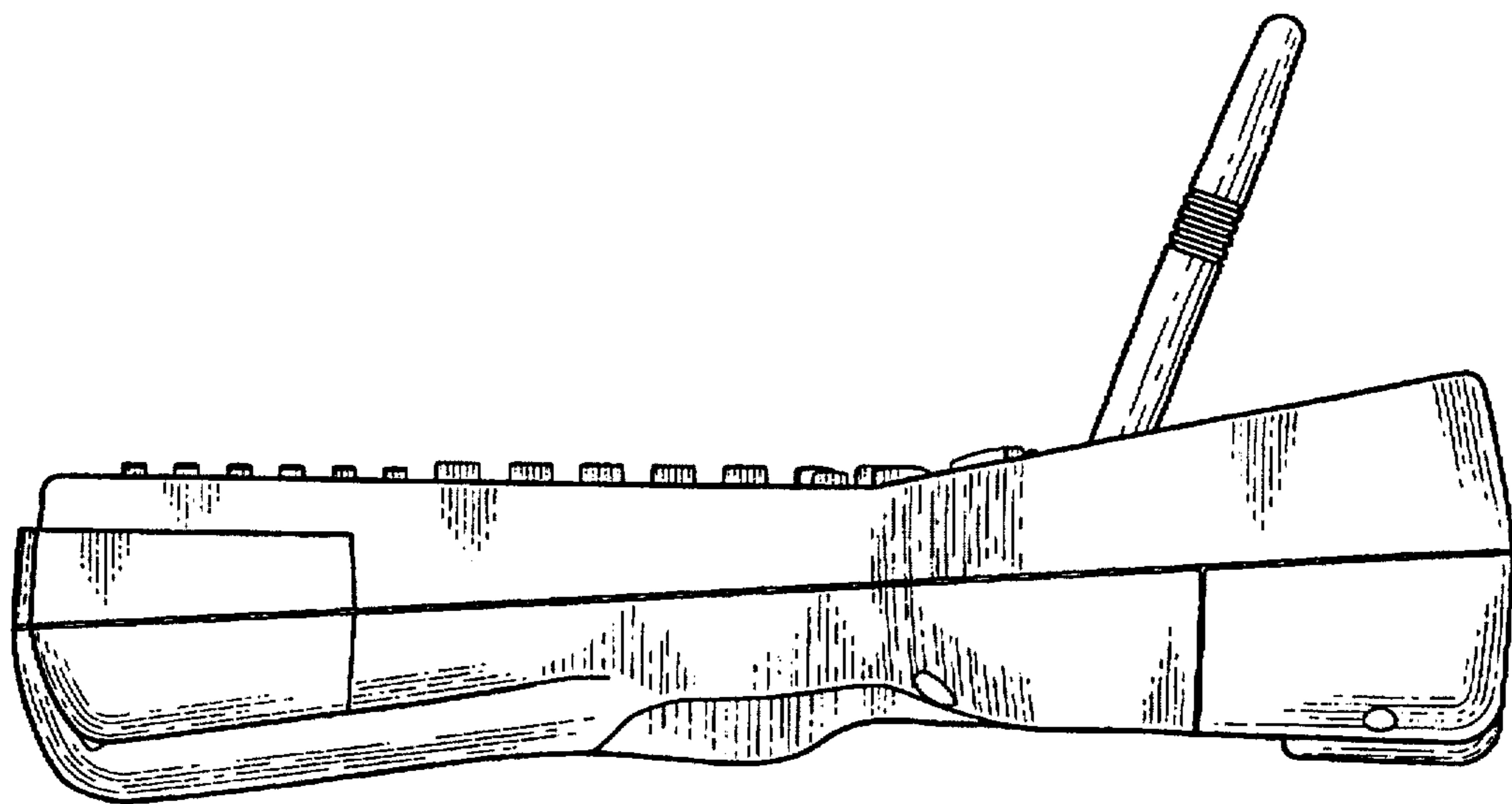


Fig. 6

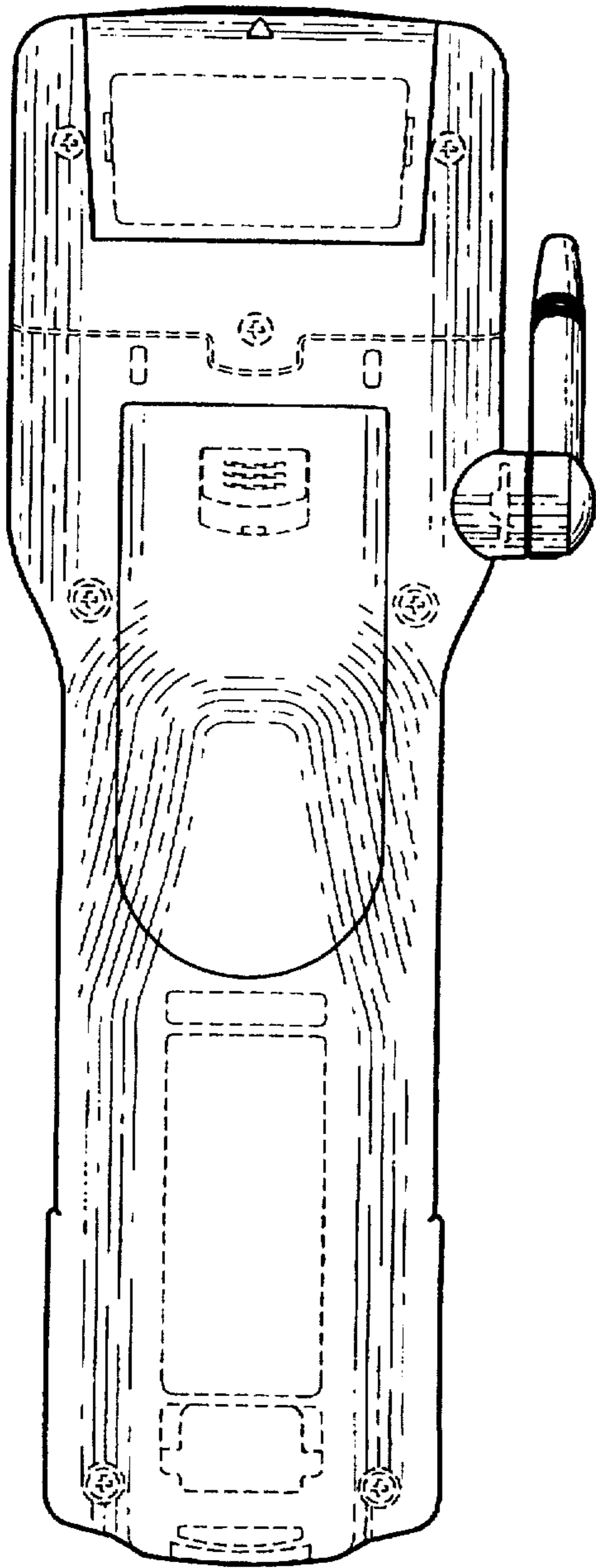


Fig. 7

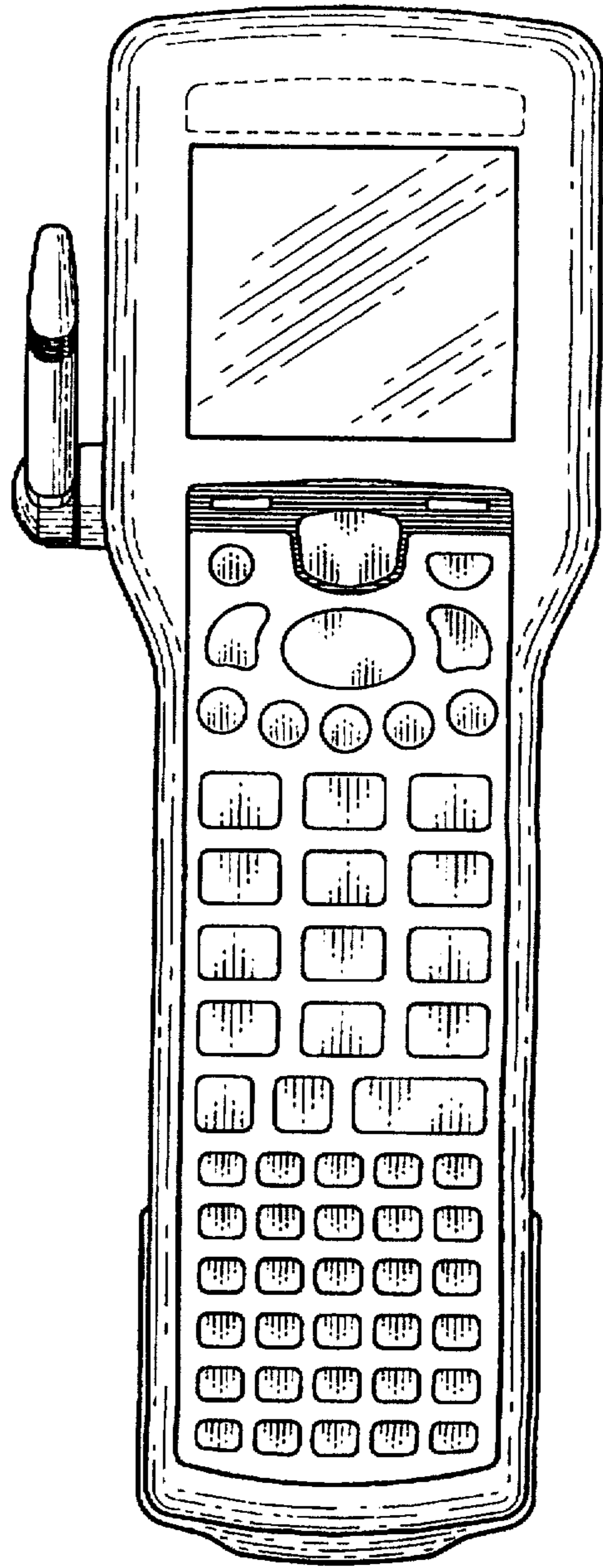


Fig. 8

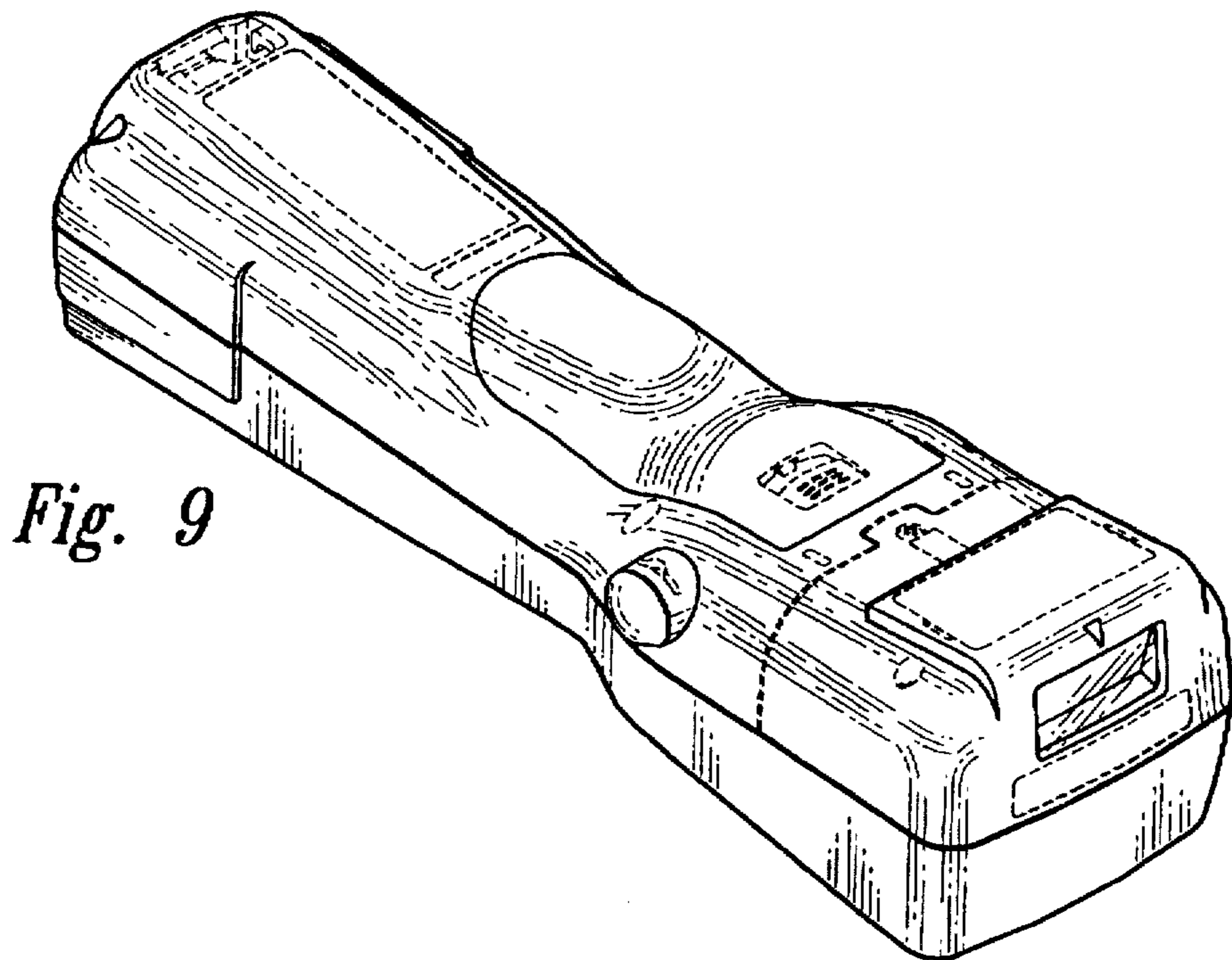


Fig. 9

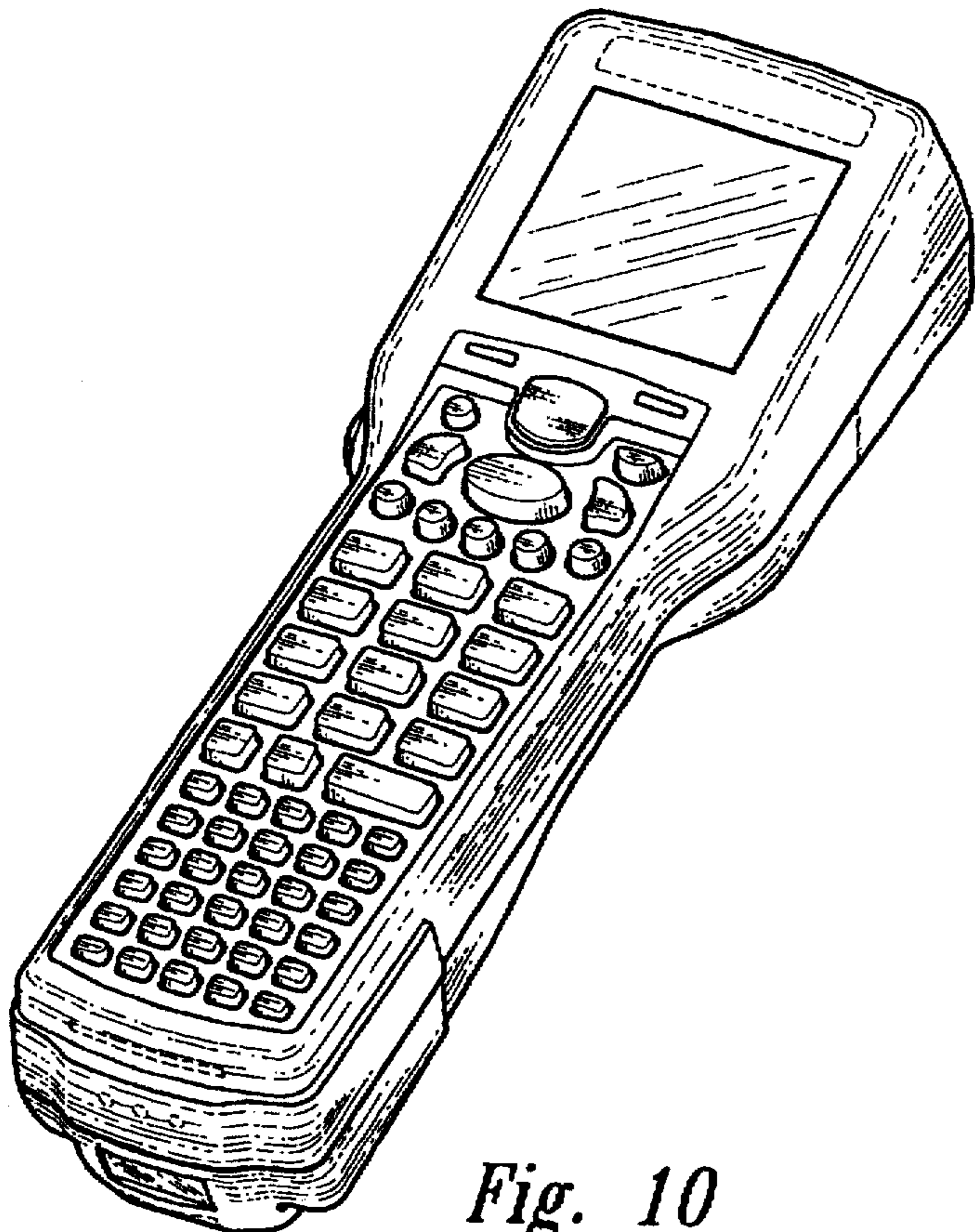


Fig. 10

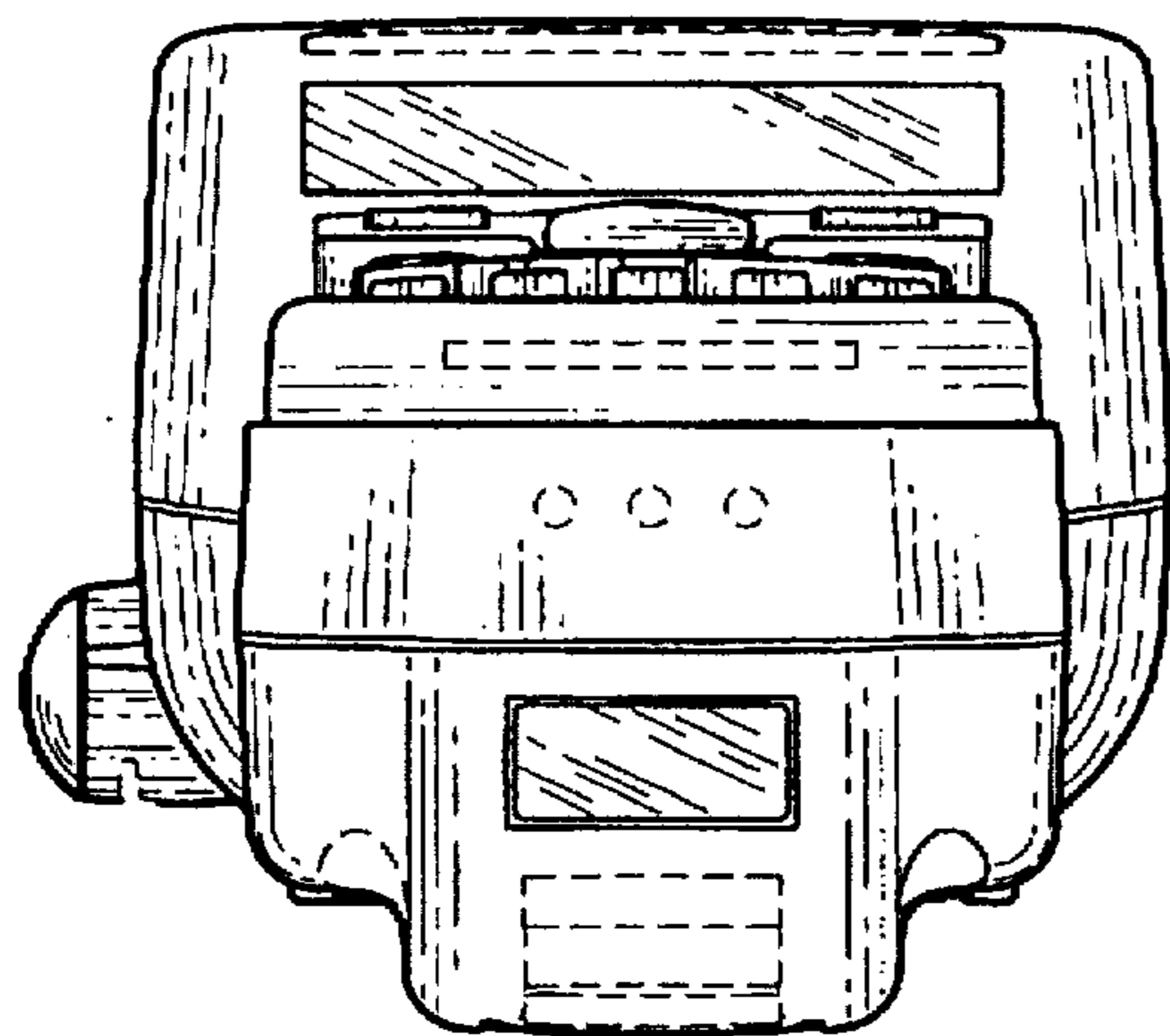


Fig. 11

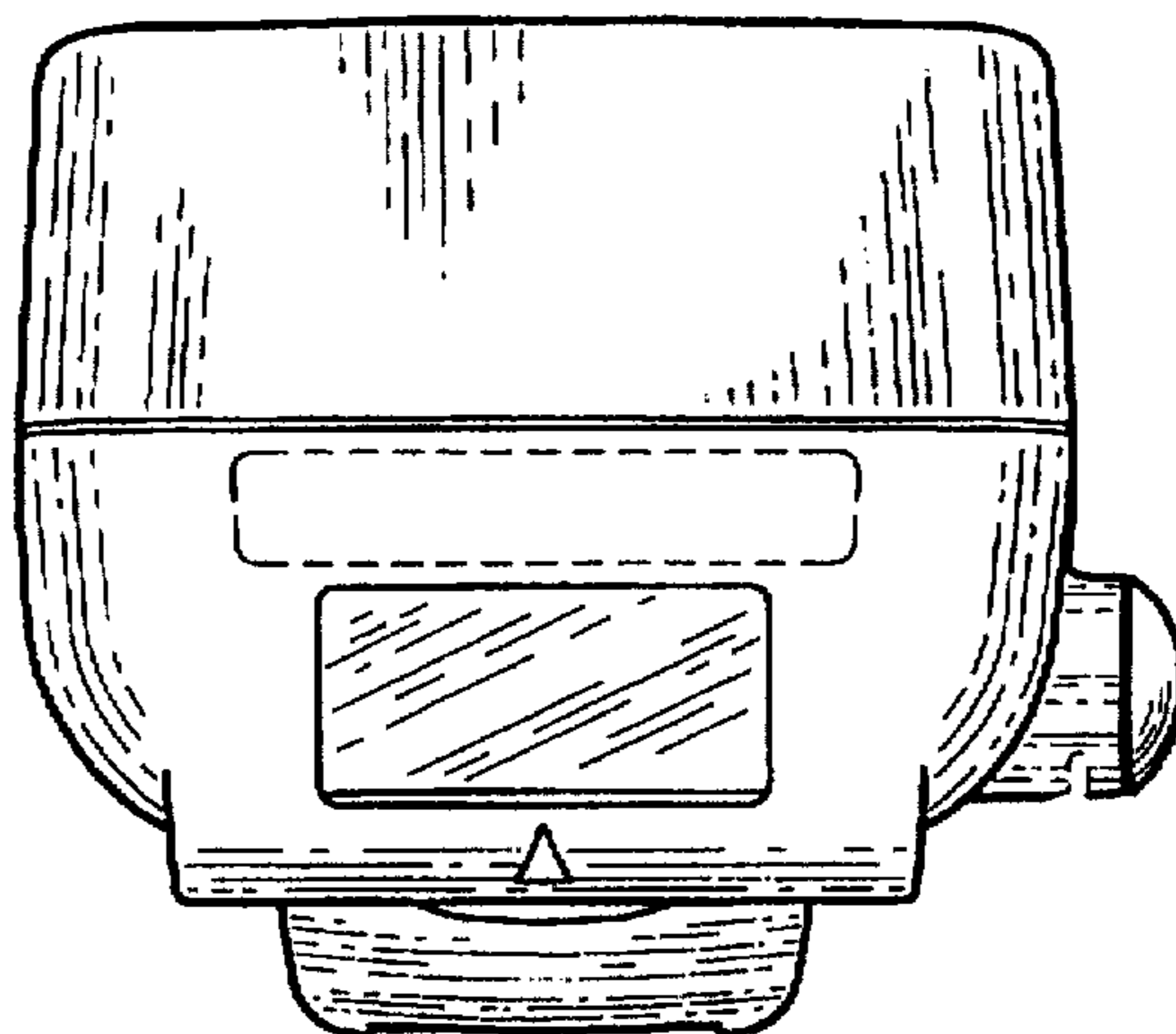


Fig. 12

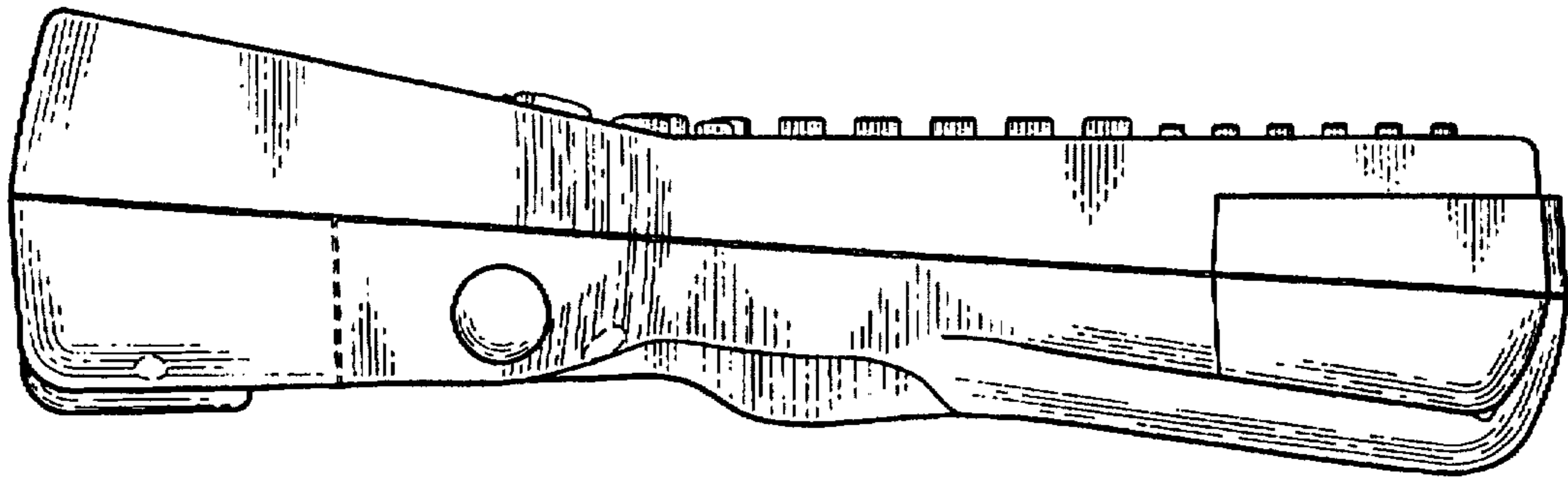


Fig. 13

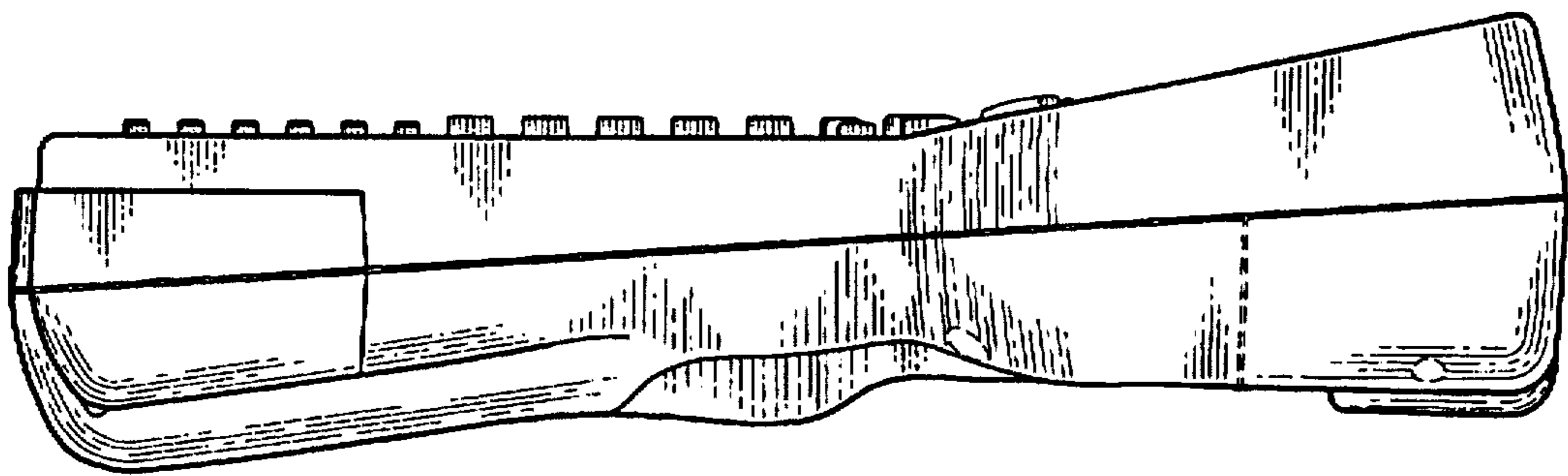


Fig. 14

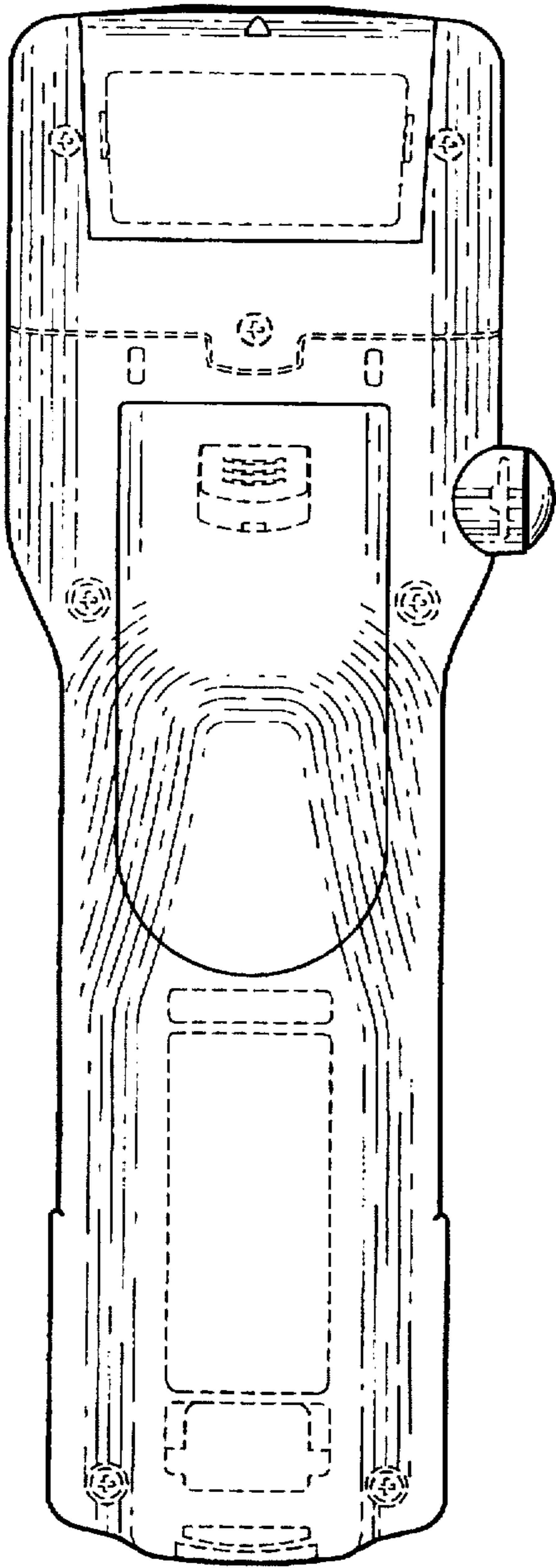


Fig. 15

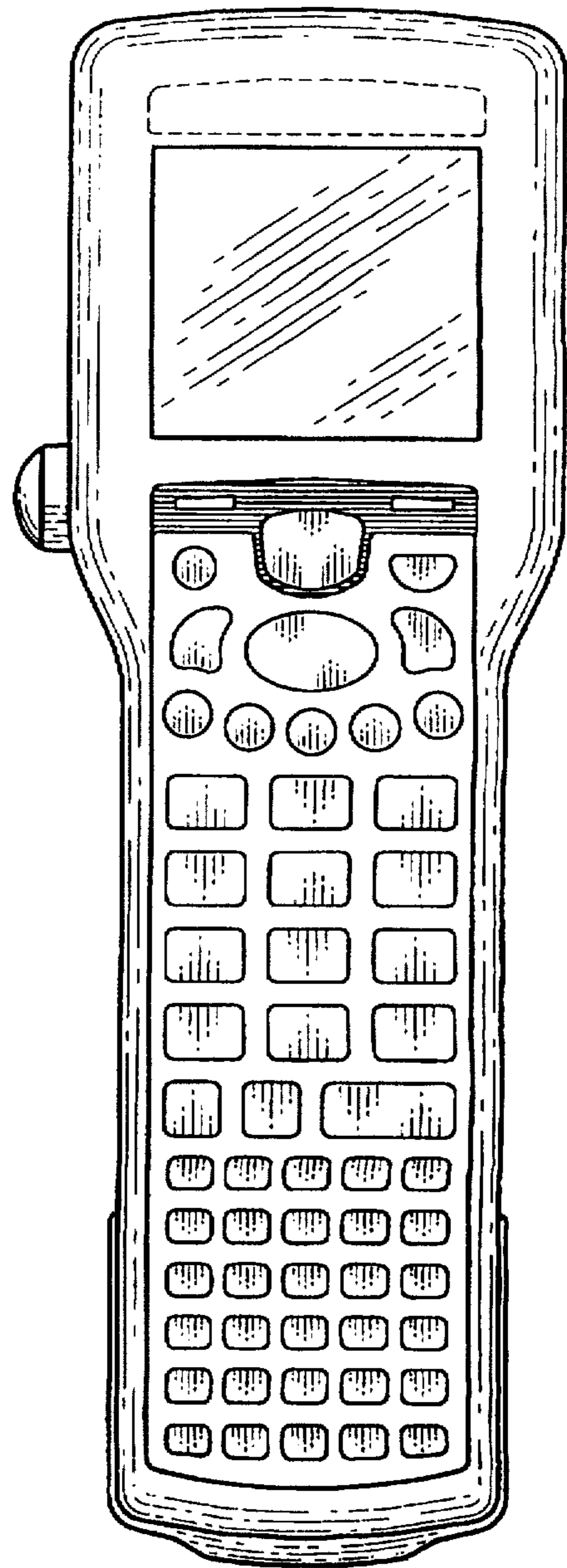


Fig. 16