



US00D398902S

United States Patent [19] Spadafore

[11] **Patent Number: Des. 398,902**

[45] **Date of Patent: **Sep. 29, 1998**

[54] **FLUORESCENT LIGHT ADAPTER**

[75] Inventor: **Michael A. Spadafore**, Newbury, Mass.

[73] Assignee: **Pacific Scientific Company**, Newport Beach, Calif.

[**] Term: **14 Years**

[21] Appl. No.: **45,040**

[22] Filed: **Oct. 6, 1995**

[51] **LOC (6) Cl. 13-03**

[52] **U.S. Cl. D13/135**

[58] **Field of Search** D13/134, 135;
362/226; 313/318.01; 315/56, 58, 362;
439/232, 242, 239, 226, 236, 646

[56] **References Cited**

U.S. PATENT DOCUMENTS

D. 290,110	6/1987	Blaisdell et al.	D13/135
D. 367,847	3/1996	Tarulli et al.	D13/134 X
4,211,959	7/1980	Deavenport et al.	315/362

Primary Examiner—Susan J. Lucas
Attorney, Agent, or Firm—Knobbe, Martens, Olson & Bear, LLP

[57] **CLAIM**

The ornamental design for a fluorescent light adapter, as shown and described.

DESCRIPTION

FIG. 1 is a top plan view of the first embodiment of the fluorescent light adapter of the present invention; FIG. 2 is a front elevational view thereof, the broken lines being shown for illustrative purposes only and forming no part of the claimed design; FIG. 3 is a right side elevational view thereof, which is a mirror image of the left side; FIG. 4 is a rear elevational view thereof; FIG. 5 is a bottom plan view thereof; and, FIG. 6 is a right side elevational view of an alternative embodiment of the fluorescent light adapter with a shorter neck, the embodiment otherwise being the same as the embodiment of FIGS. 1-5.

1 Claim, 3 Drawing Sheets

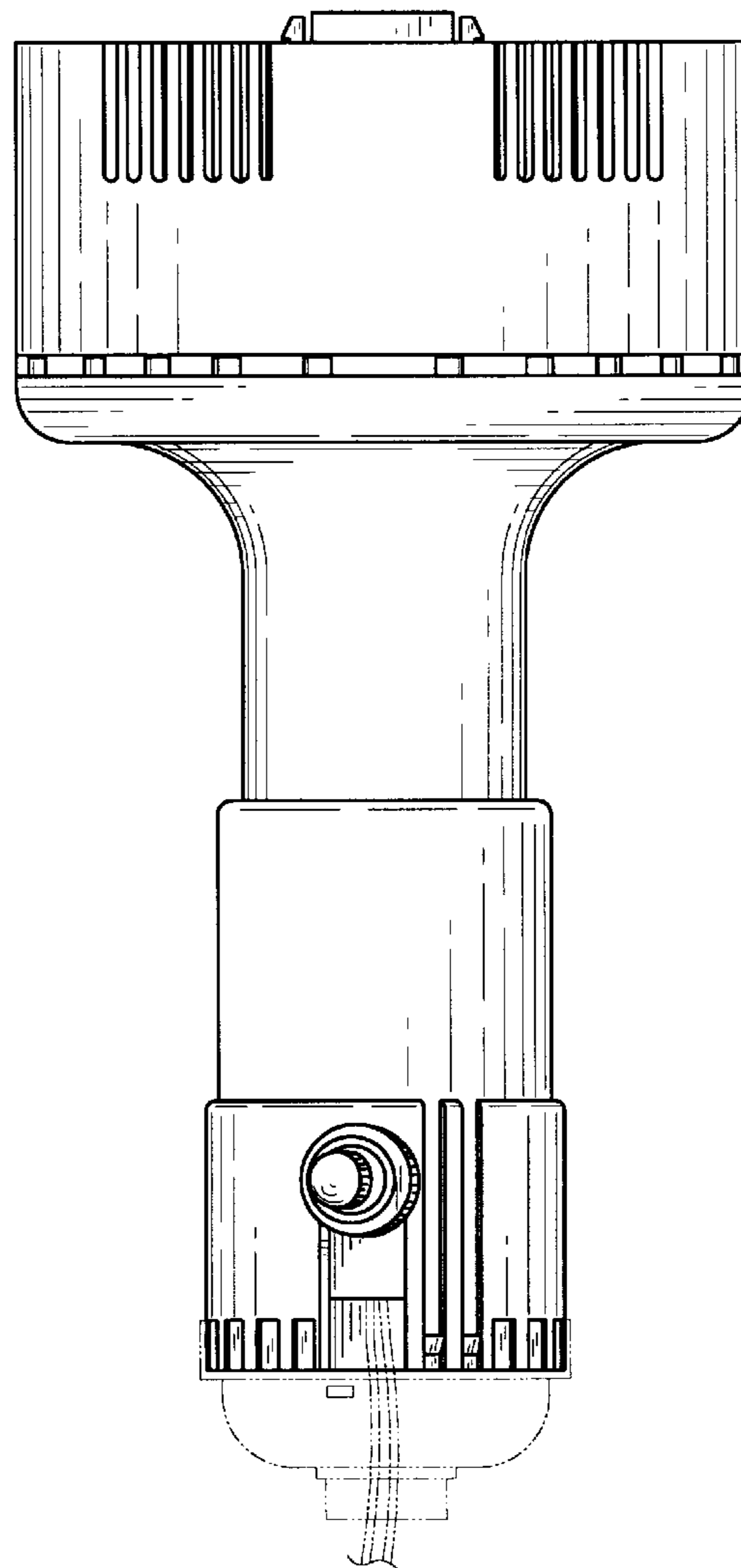
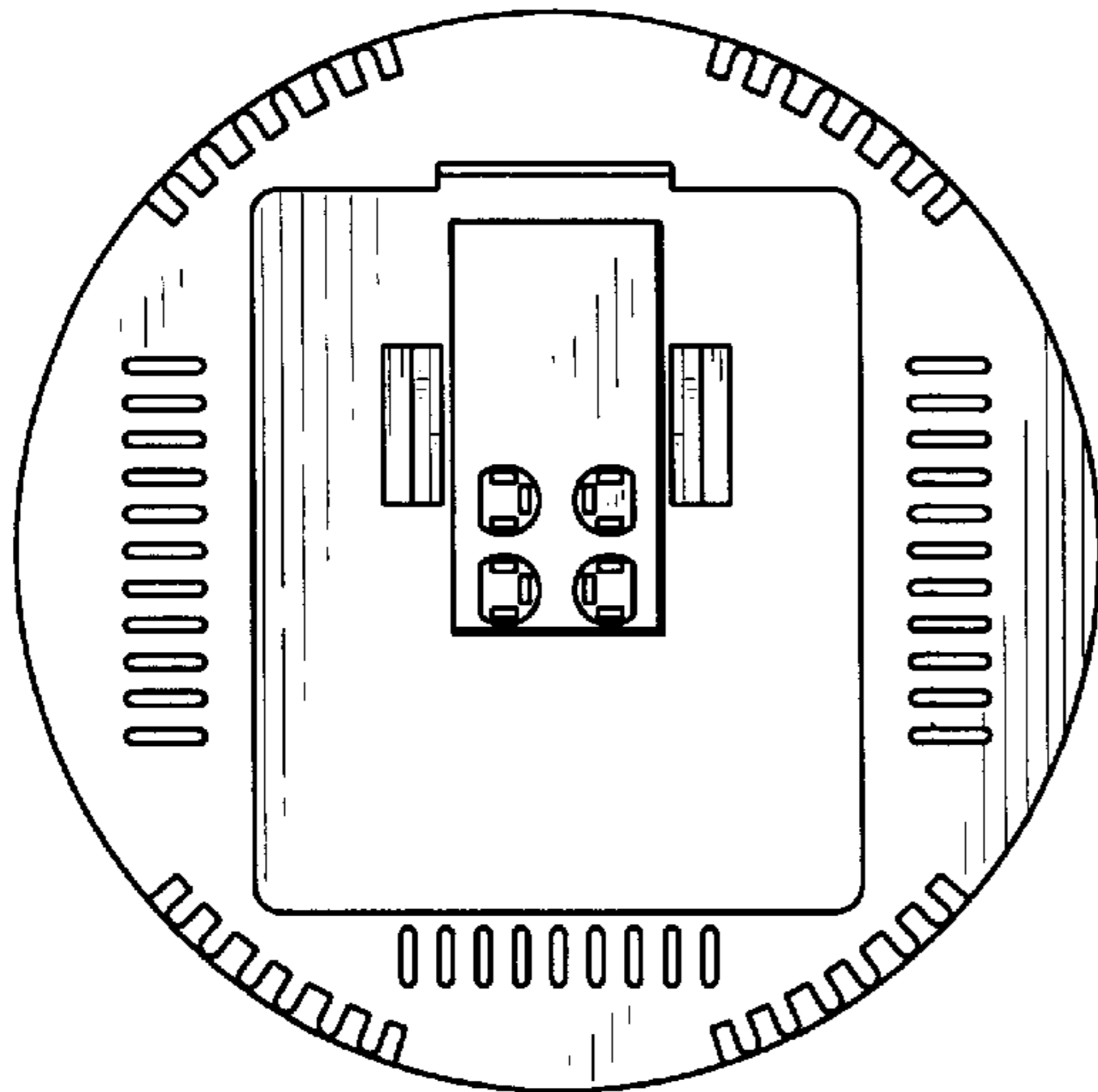


Fig. 1

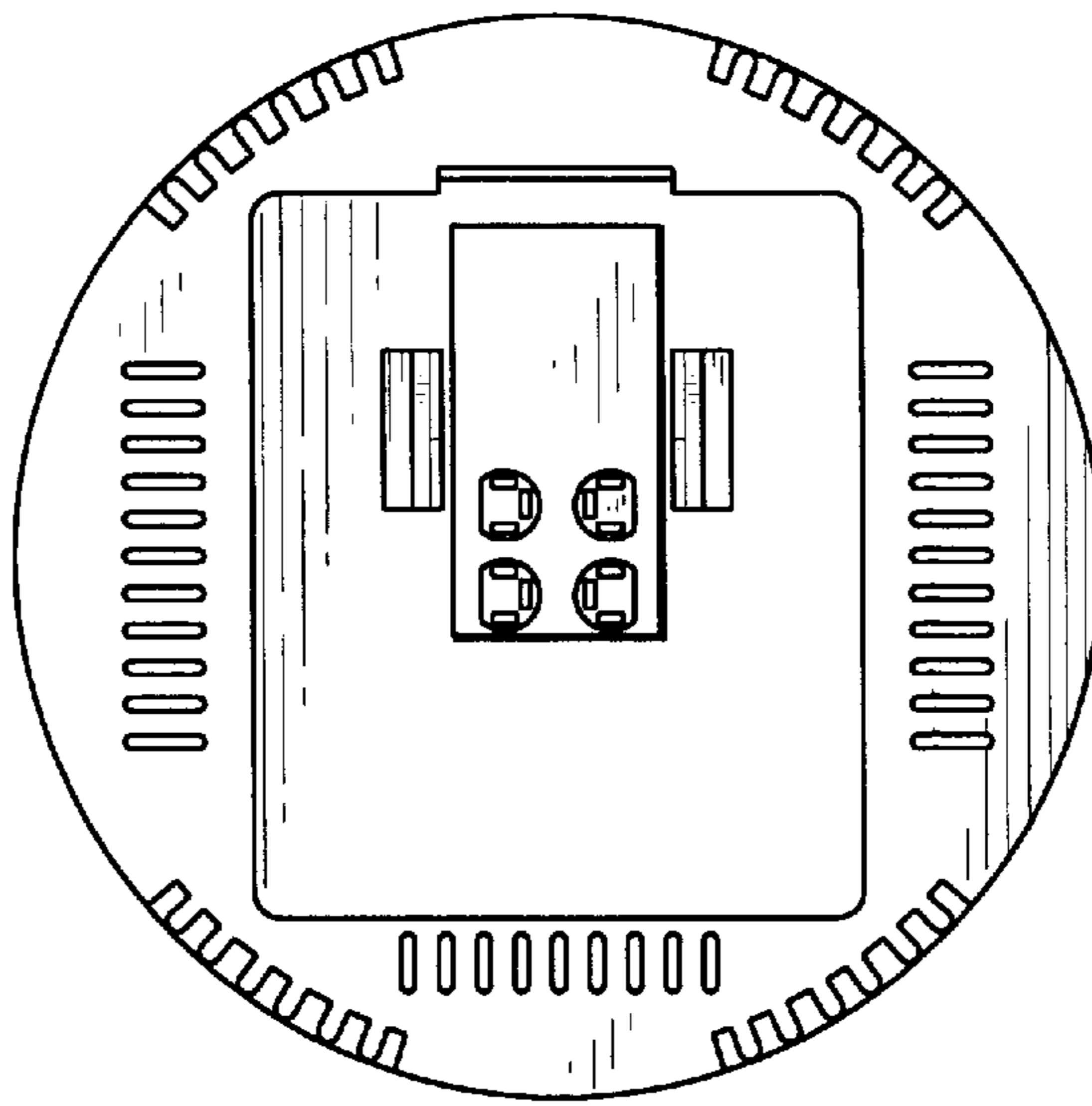


Fig. 2

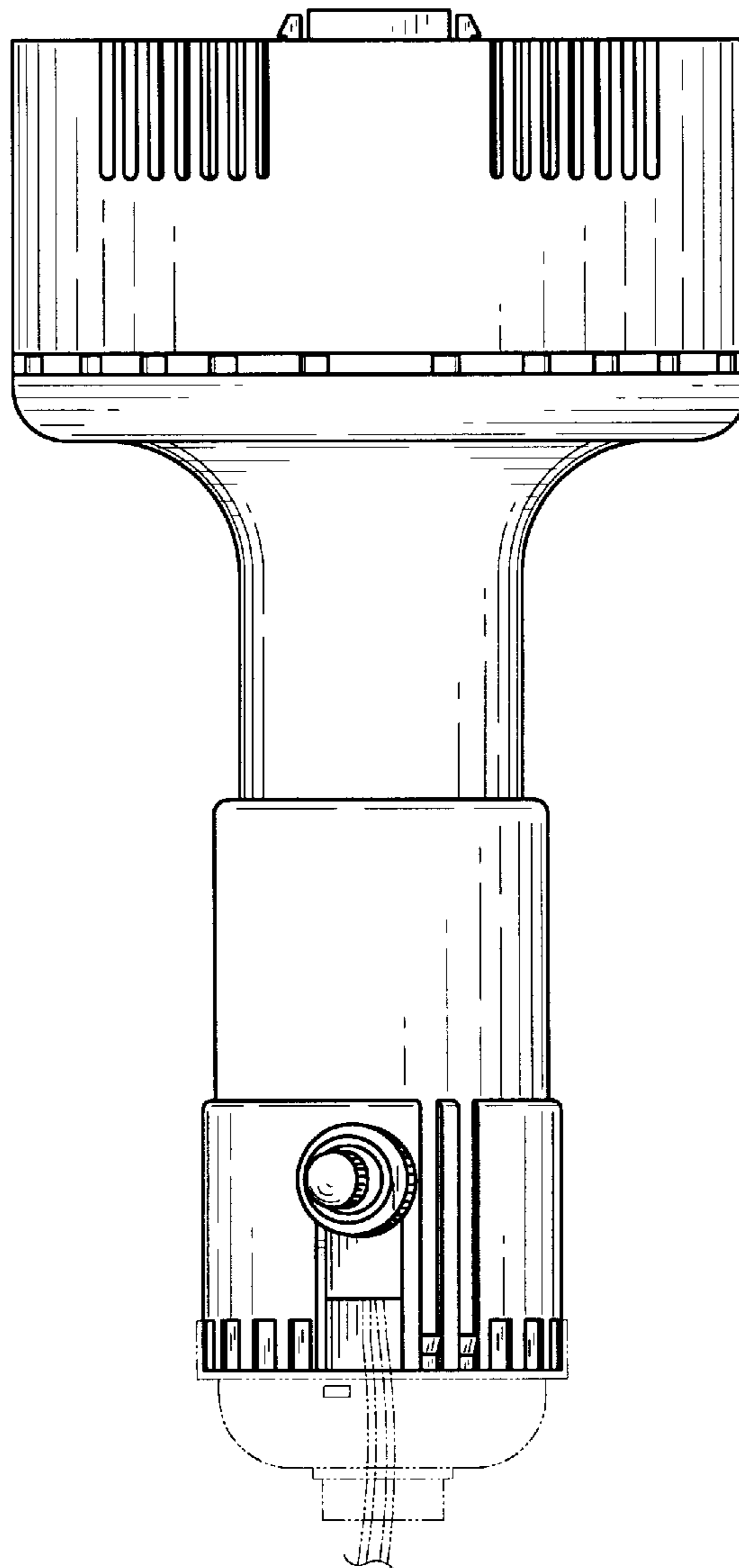


Fig. 3

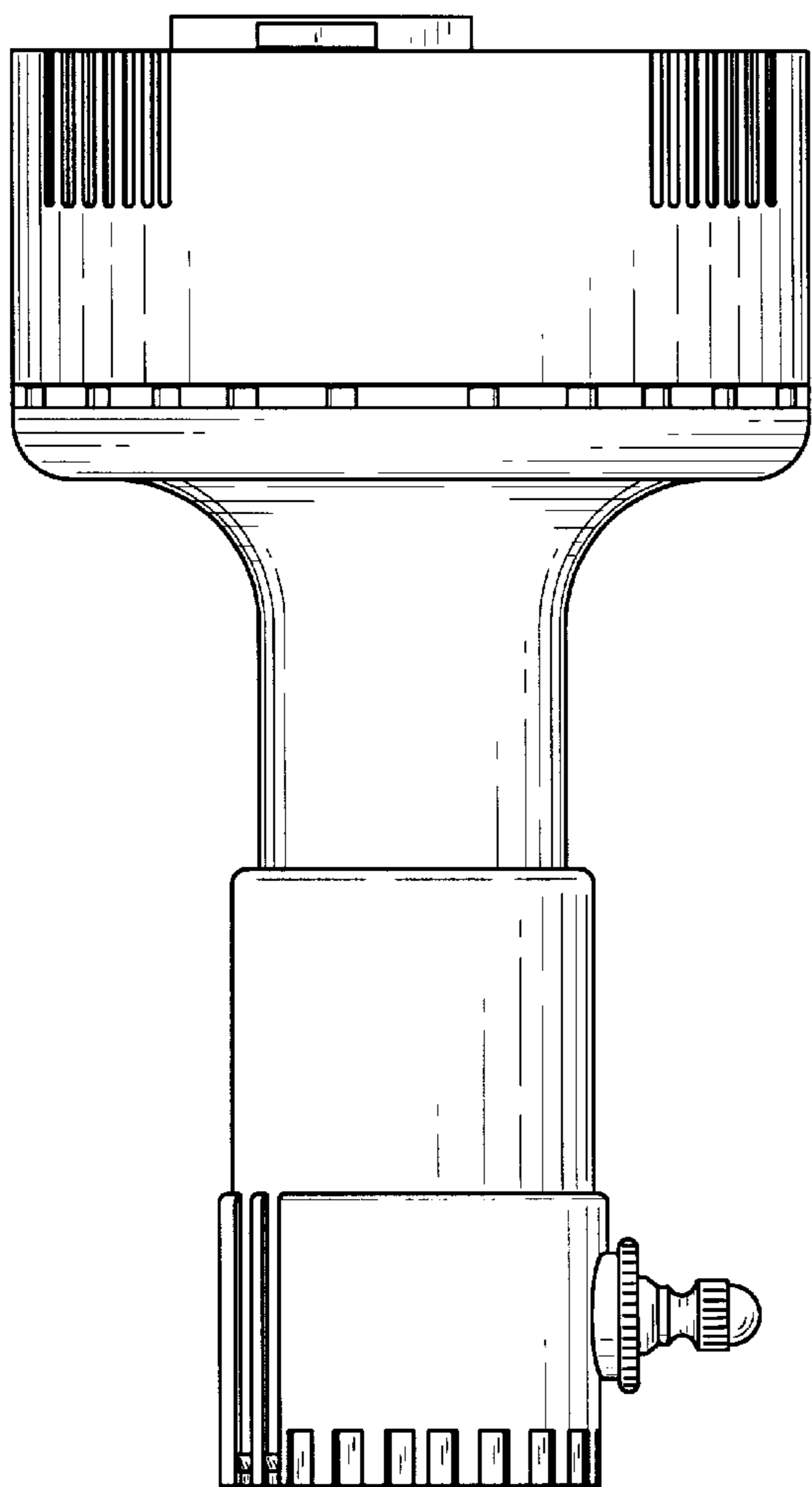


Fig. 4

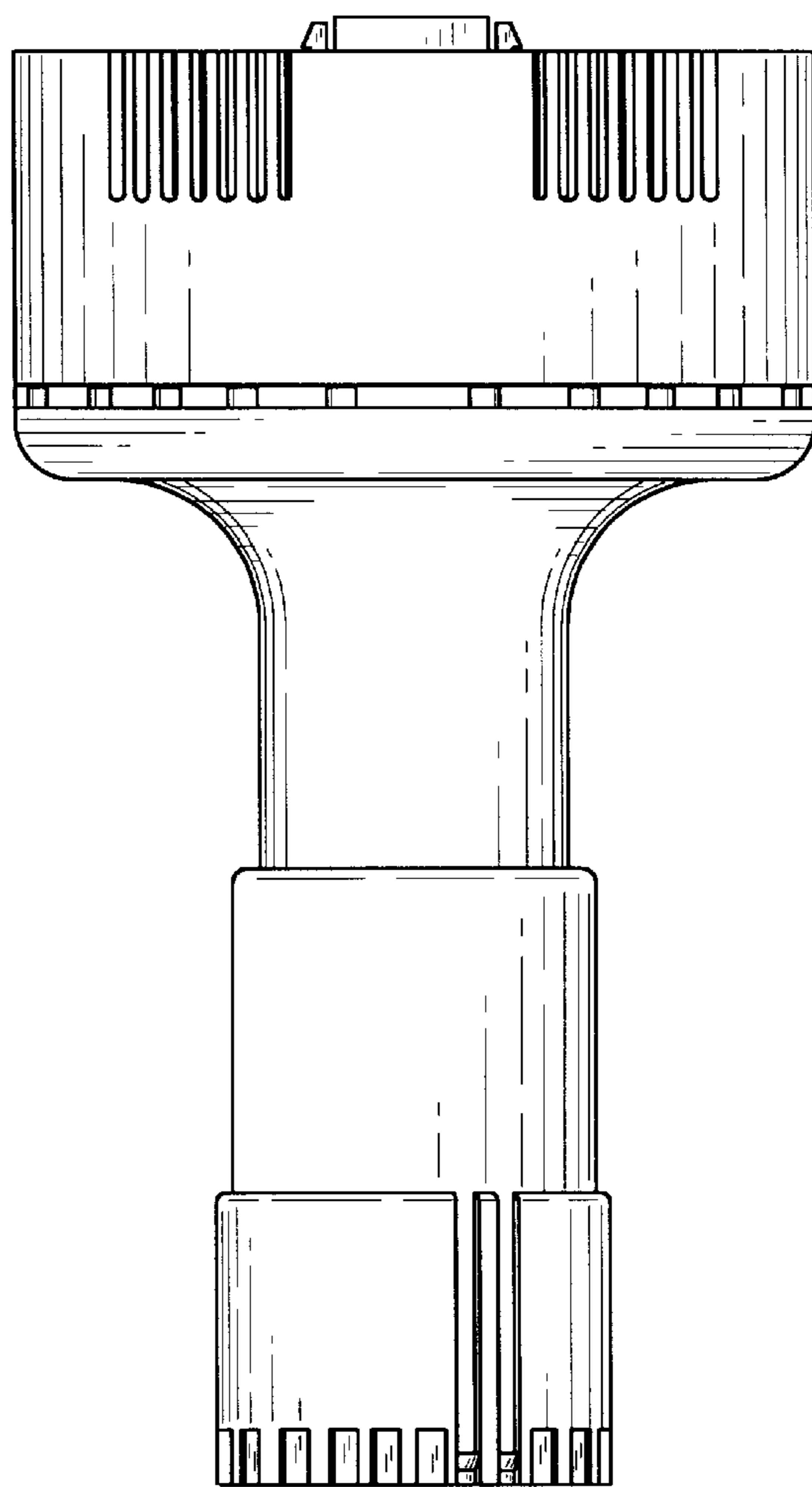


Fig. 5

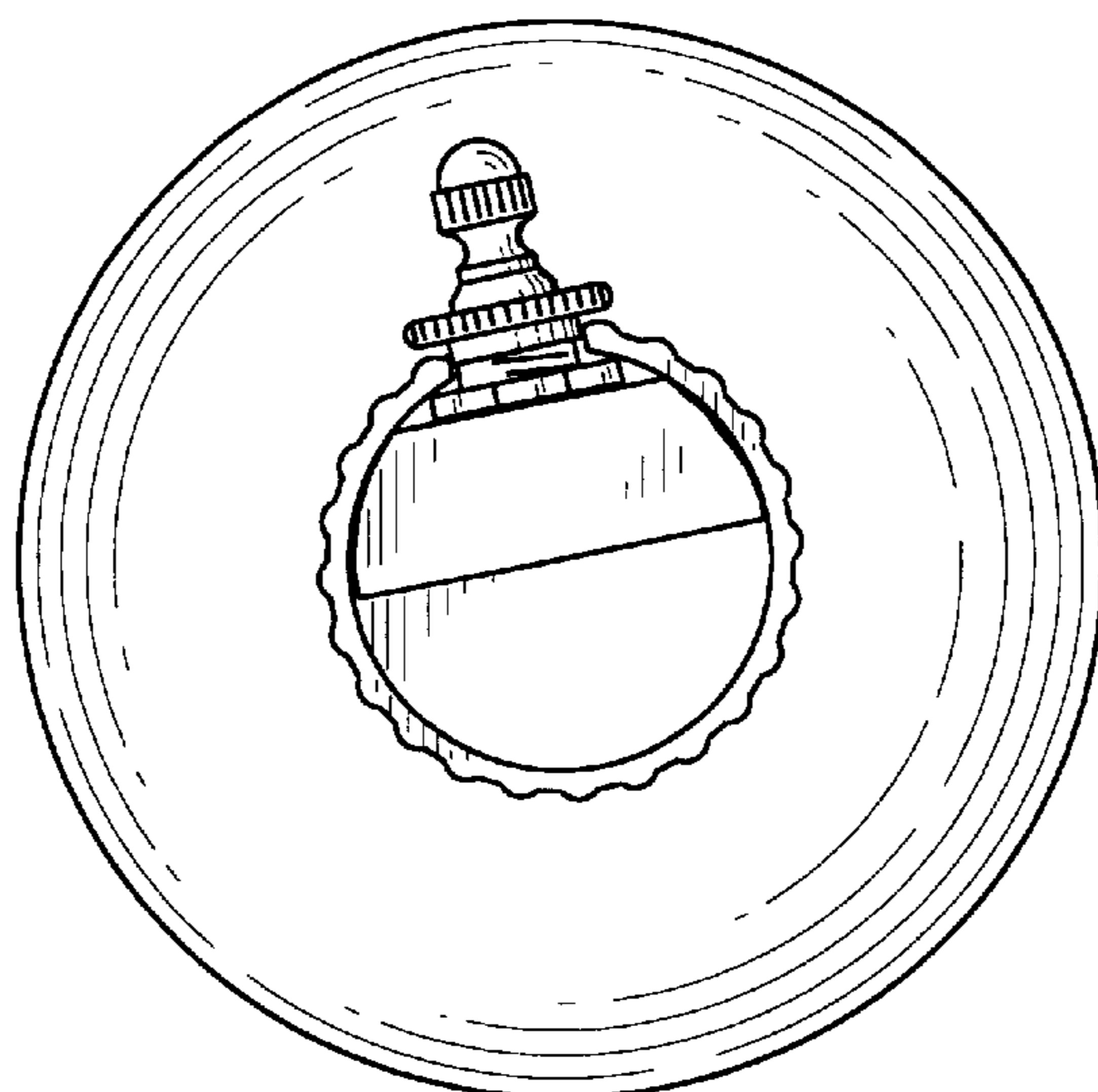


Fig. 6

