



US00D398900S

United States Patent [19]
Roman

[11] **Patent Number: Des. 398,900**
[45] **Date of Patent: **Sep. 29, 1998**

[54] **CONTROL UNIT FOR IRRIGATION SYSTEMS**

[75] Inventor: **Gianfranco Roman**, Pasiano, Italy

[73] Assignee: **Claber S.p.A.**, Fiume Veneto, Italy

[**] Term: **14 Years**

[21] Appl. No.: **73,226**

[22] Filed: **Jul. 10, 1997**

[30] **Foreign Application Priority Data**

Jan. 14, 1997 [IT] Italy MI97O0026

[51] **LOC (6) Cl.** **13-03**

[52] **U.S. Cl.** **D13/123; D10/96**

[58] **Field of Search** **D13/123, 158; D10/46, 49, 96; D23/233; 239/70**

[56] **References Cited**

U.S. PATENT DOCUMENTS

D. 193,481 8/1962 Hose et al. D10/96

D. 247,480 3/1978 Gilson D10/96
D. 269,697 7/1983 Graham et al. D23/233
D. 349,252 8/1994 Hurd D10/96
D. 365,771 1/1996 Clivio D10/96

Primary Examiner—Brian N. Vinson
Attorney, Agent, or Firm—Nixon & Vanderhye, P.C.

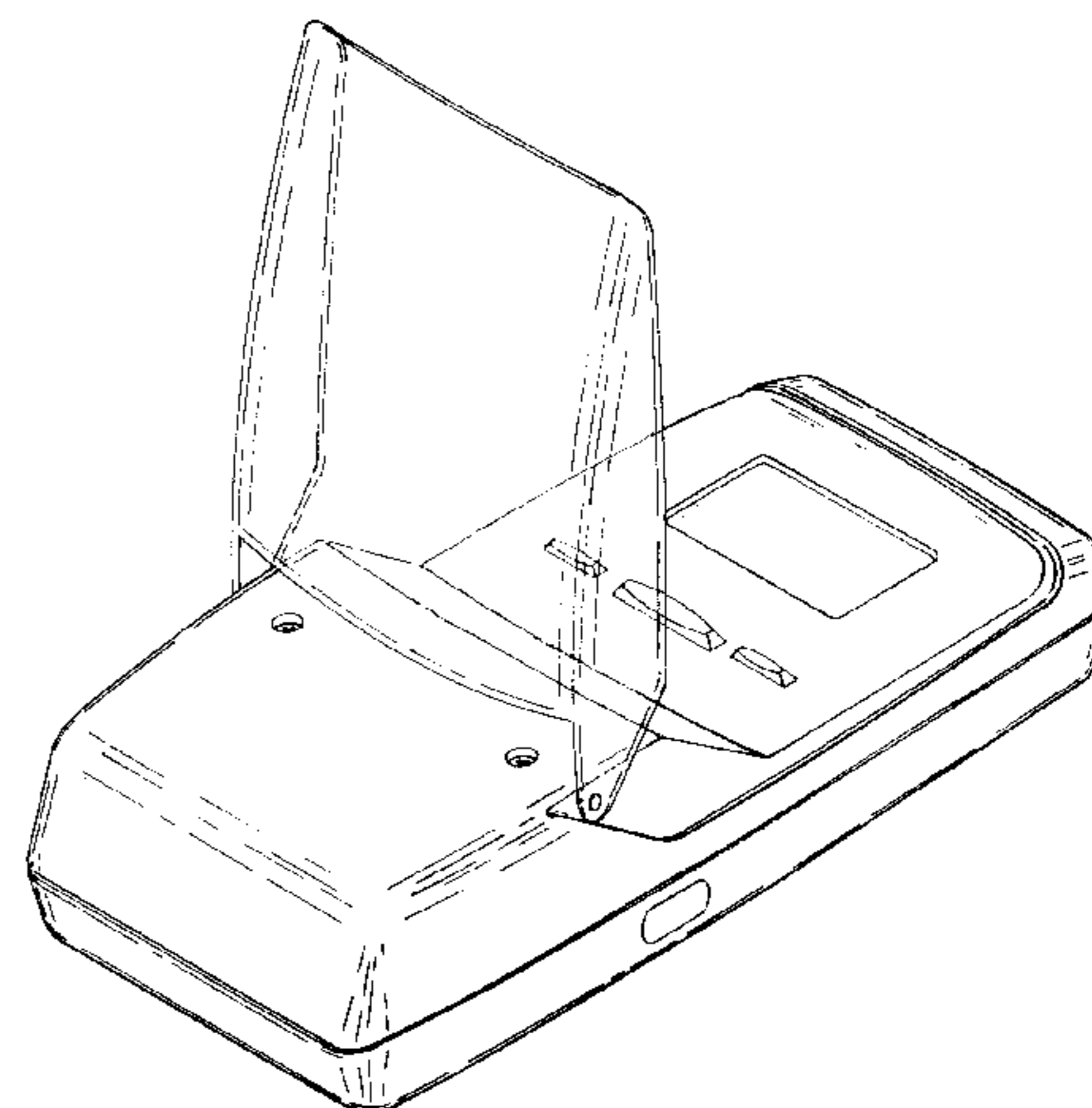
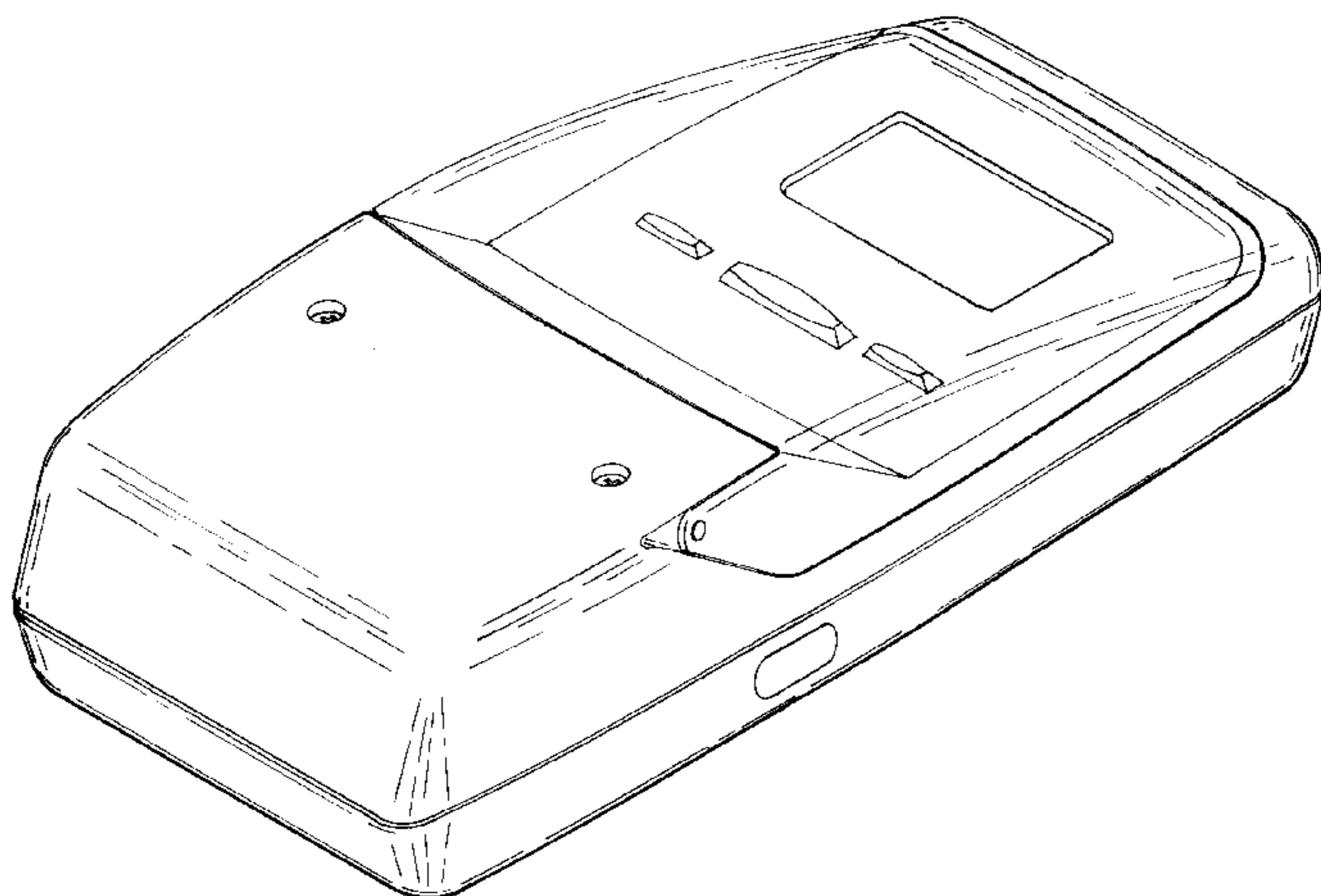
[57] **CLAIM**

The ornamental design for “control unit for irrigation systems,” as shown and described.

DESCRIPTION

FIG. 1 is a perspective view of my new control unit; FIG. 2 is a perspective view of my new control unit with a key protecting cover in open position; FIG. 3 is a top view of my control unit; FIG. 4 is a lateral view of the control unit of FIG. 1; FIG. 5 is a front view of the control unit of FIG. 1; FIG. 6 is a rear view of the control unit of FIG. 1; and, FIG. 7 is a bottom view of the control unit of FIG. 1.

1 Claim, 7 Drawing Sheets



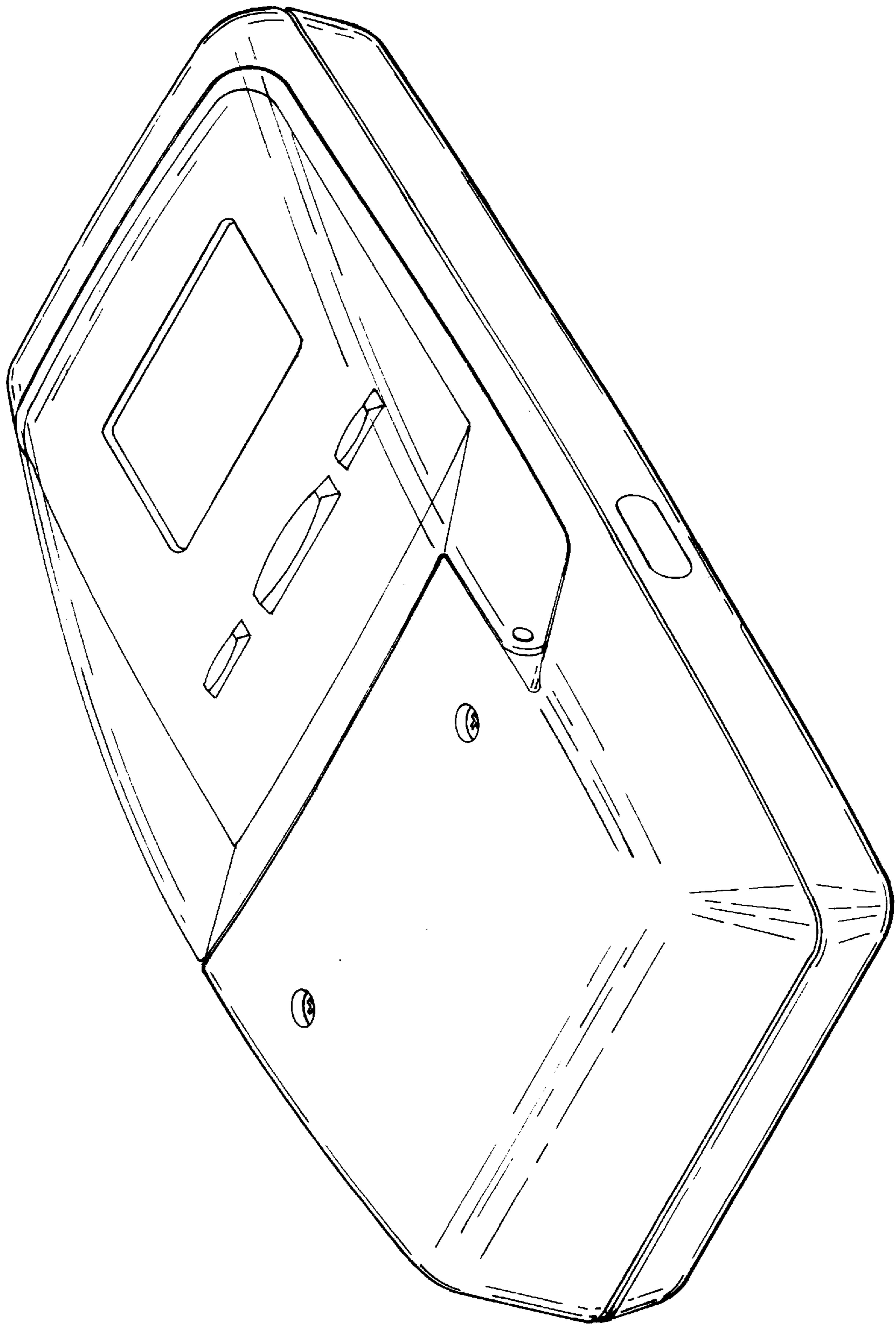
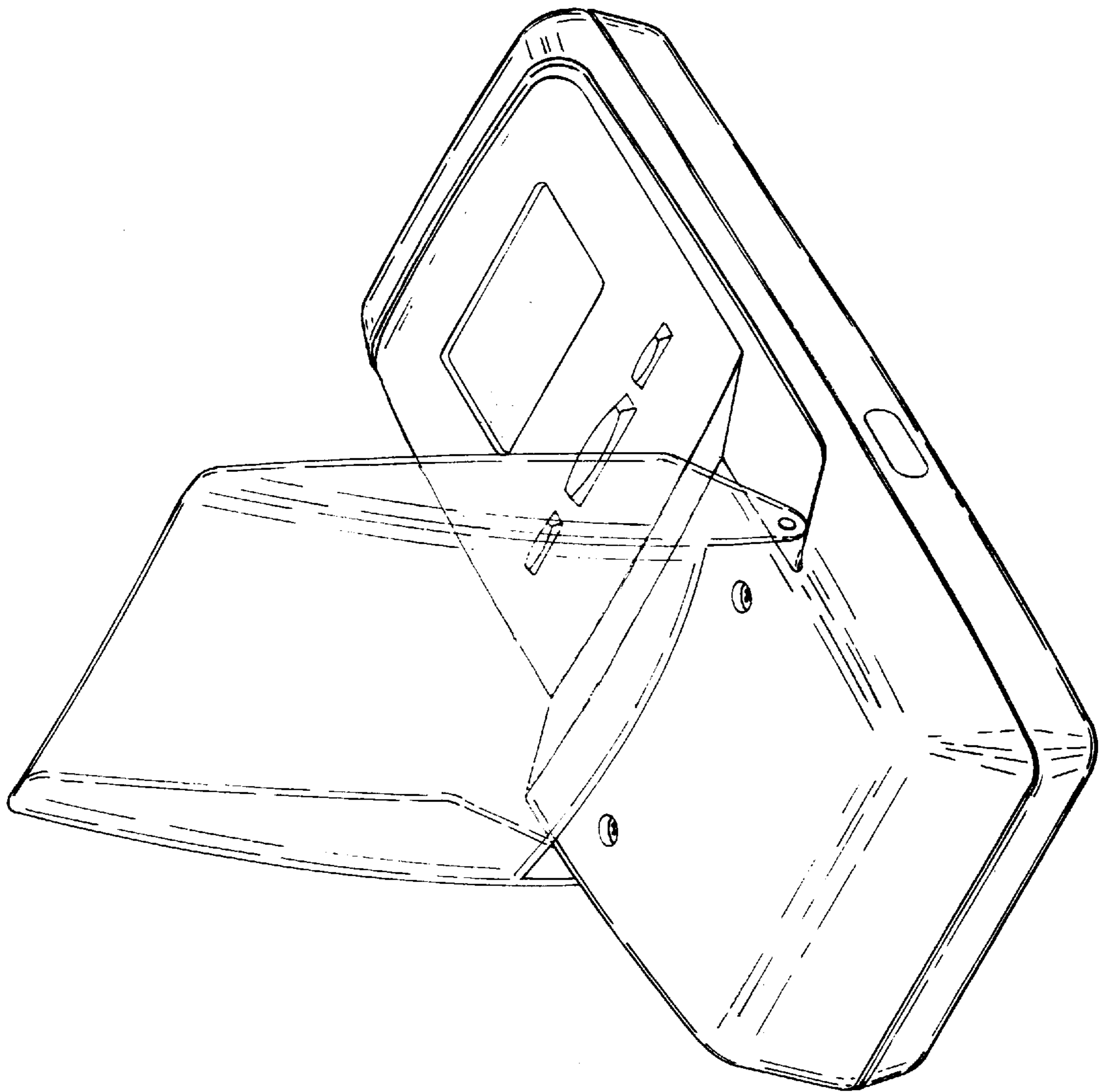


Fig. 1

Fig. 2



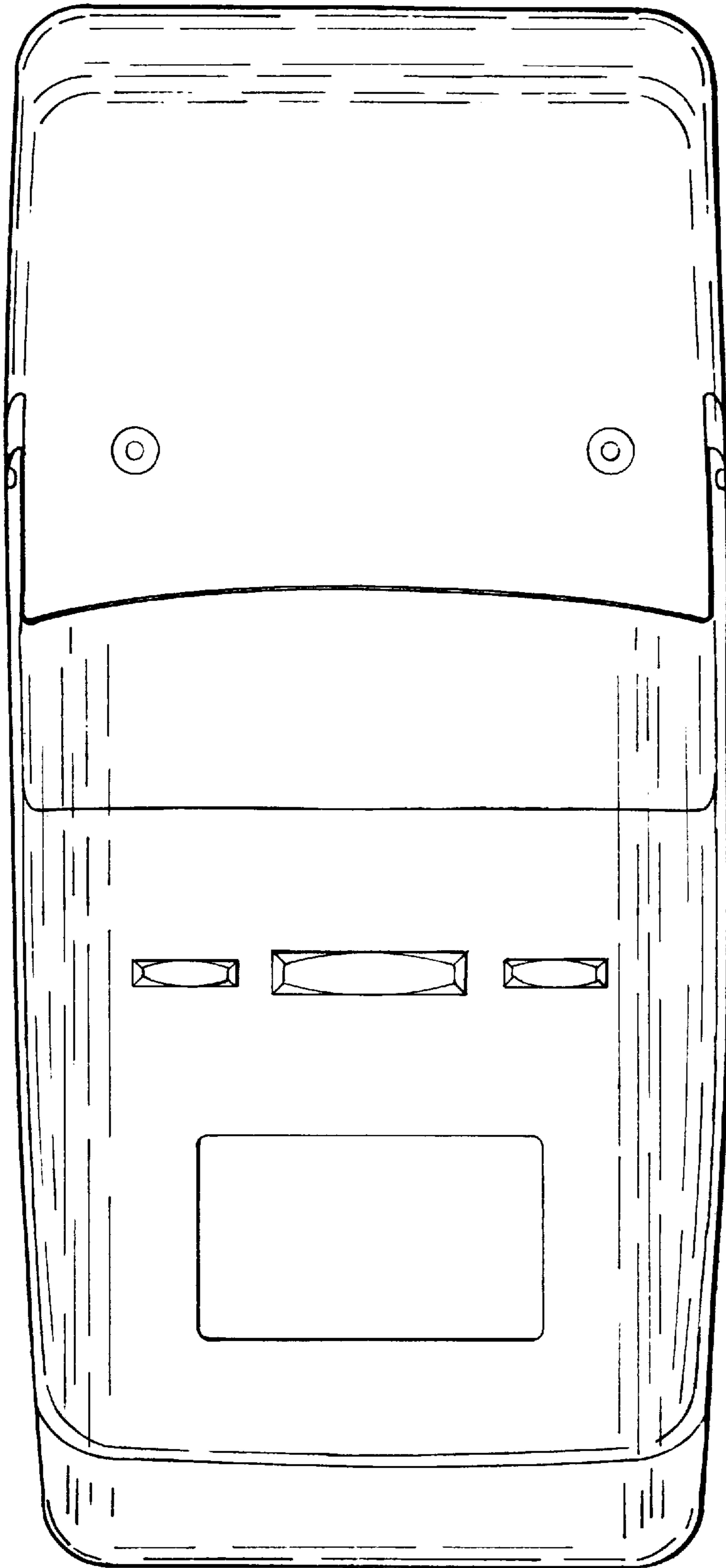


FIG. 3

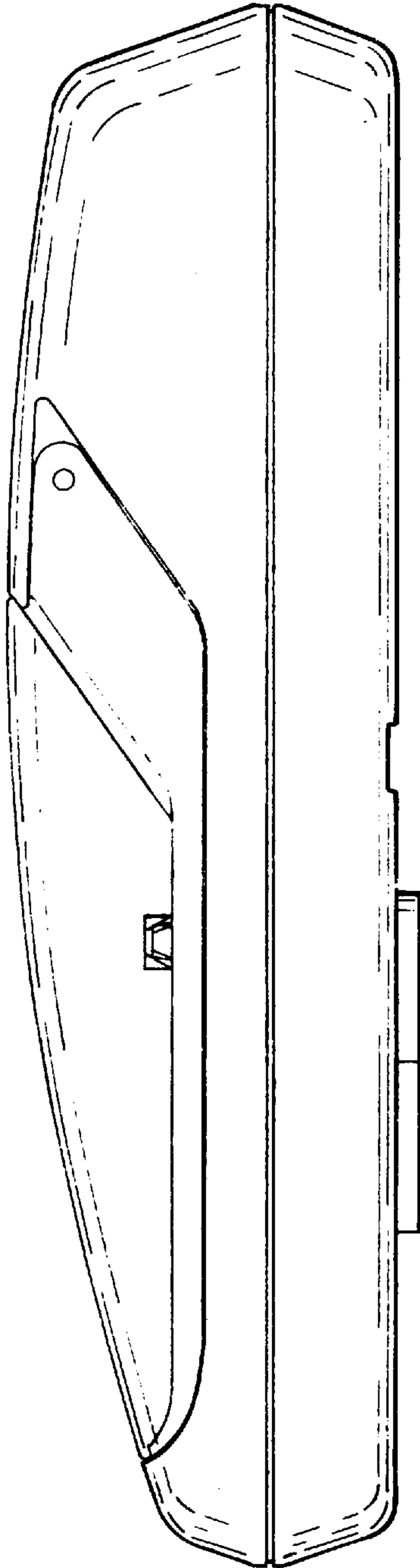


Fig. 4

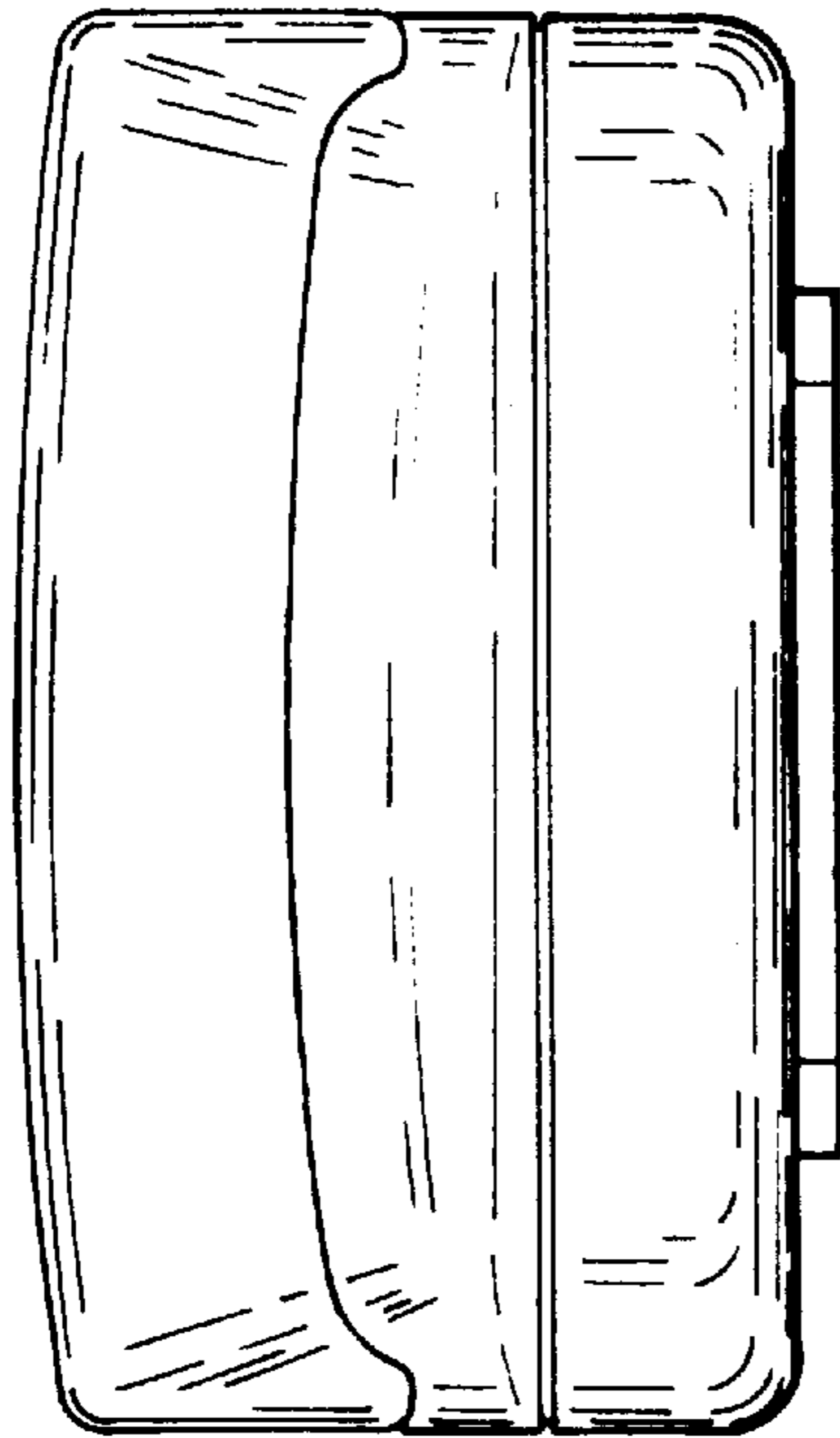


Fig. 5

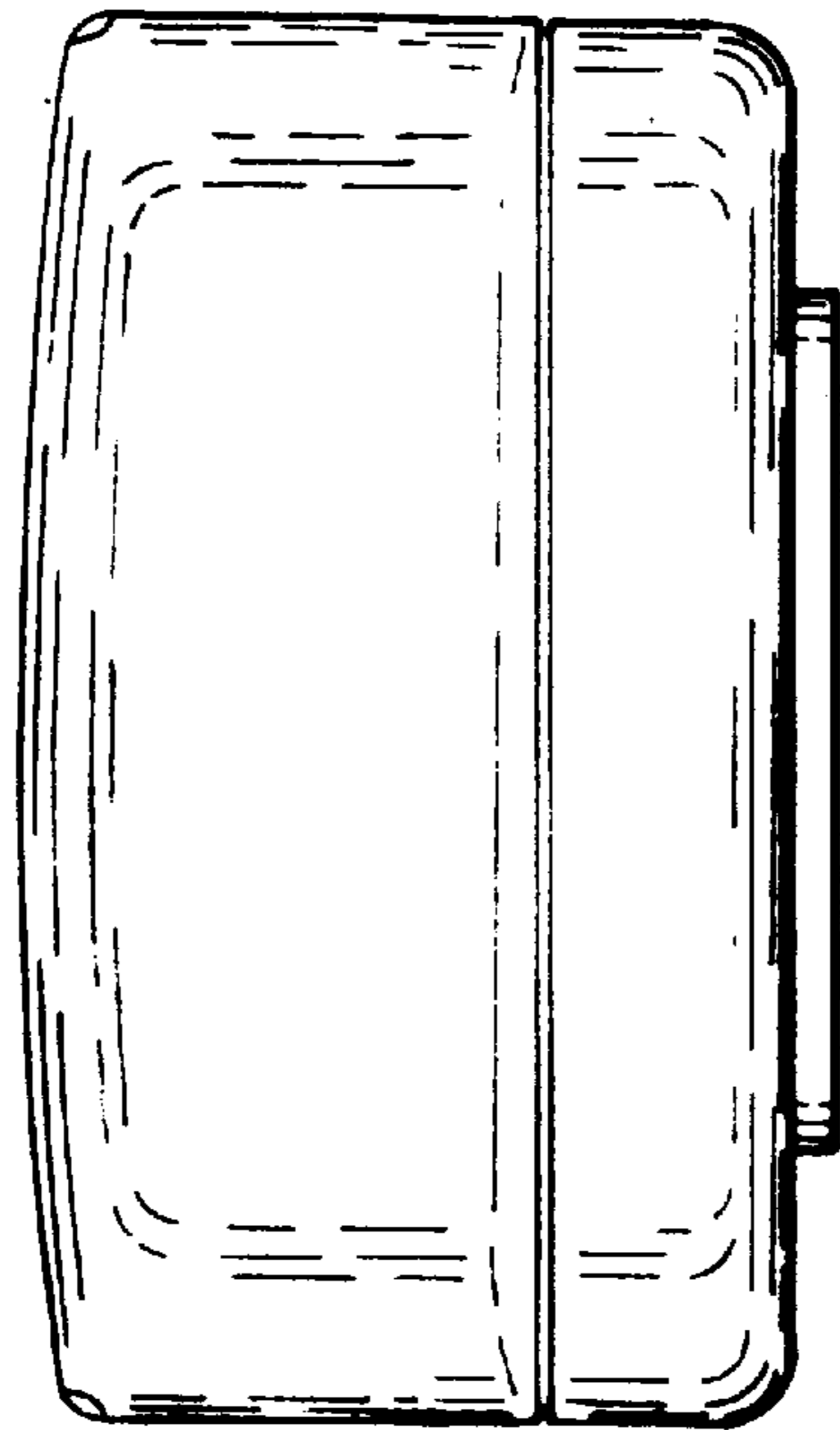


Fig. 6

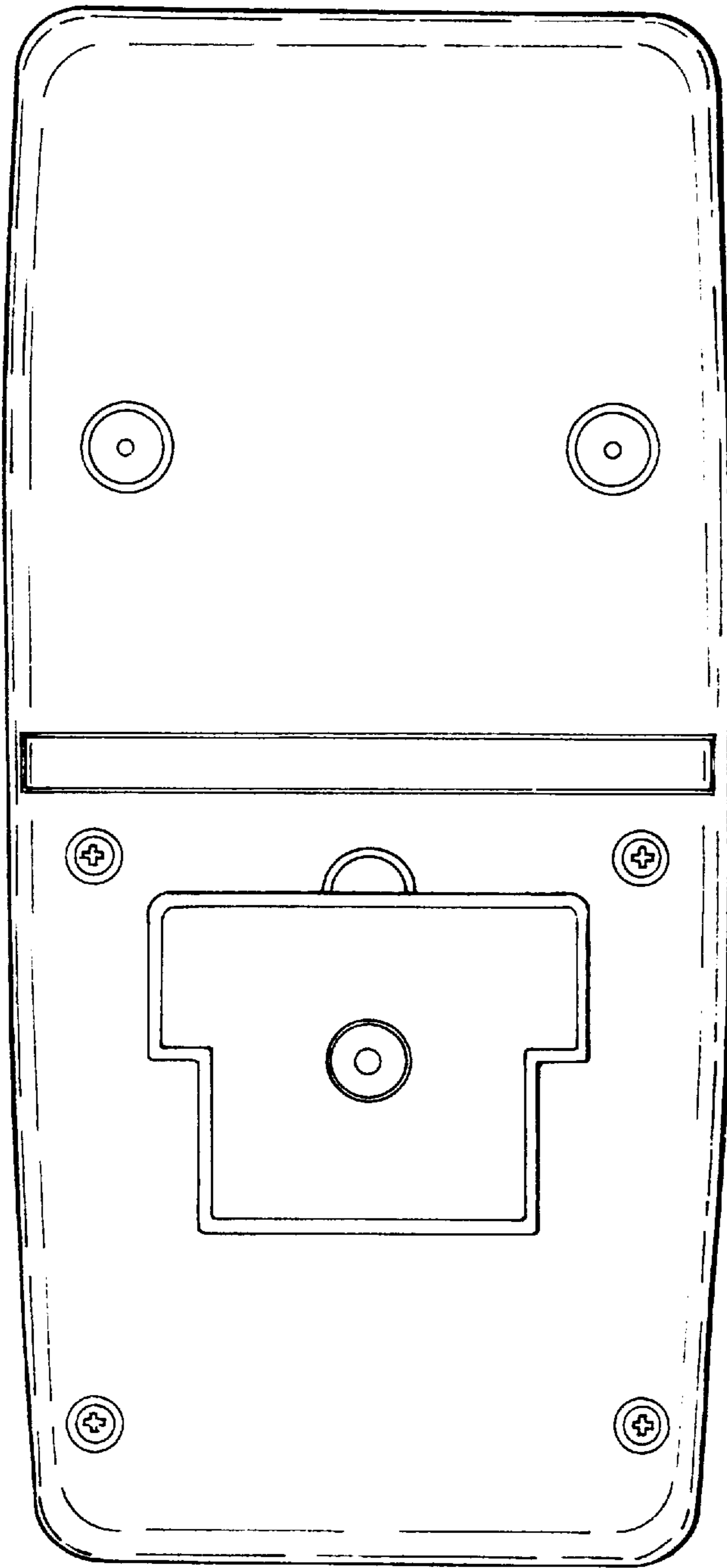


Fig. 7