



US00D398899S

# United States Patent [19] Chaco

[11] **Patent Number: Des. 398,899**

[45] **Date of Patent: \*\*Sep. 29, 1998**

[54] **BATTERY MODULE**

[75] Inventor: **John Chaco**, Seymour, Conn.

[73] Assignee: **Executone Information Systems, Inc.**,  
Milford, Conn.

[\*\*] Term: **14 Years**

[21] Appl. No.: **76,502**

[22] Filed: **Sep. 19, 1997**

[51] **LOC (6) Cl.** ..... **13-02**

[52] **U.S. Cl.** ..... **D13/103**

[58] **Field of Search** ..... D13/103, 118,  
D13/119; 429/96-100, 163, 176

[56] **References Cited**

**U.S. PATENT DOCUMENTS**

D. 376,127	12/1996	Nagele et al.	.....	D13/103
3,644,873	2/1972	Dalton et al.	.....	339/79
4,515,872	5/1985	Okano	.....	429/65

4,764,129	8/1988	Jones et al.	.....	439/677
5,415,947	5/1995	Mitsui et al.	.....	429/1
5,508,123	4/1996	Fan	.....	429/96

*Primary Examiner*—Joel Sincavage  
*Attorney, Agent, or Firm*—Dilworth & Barrese

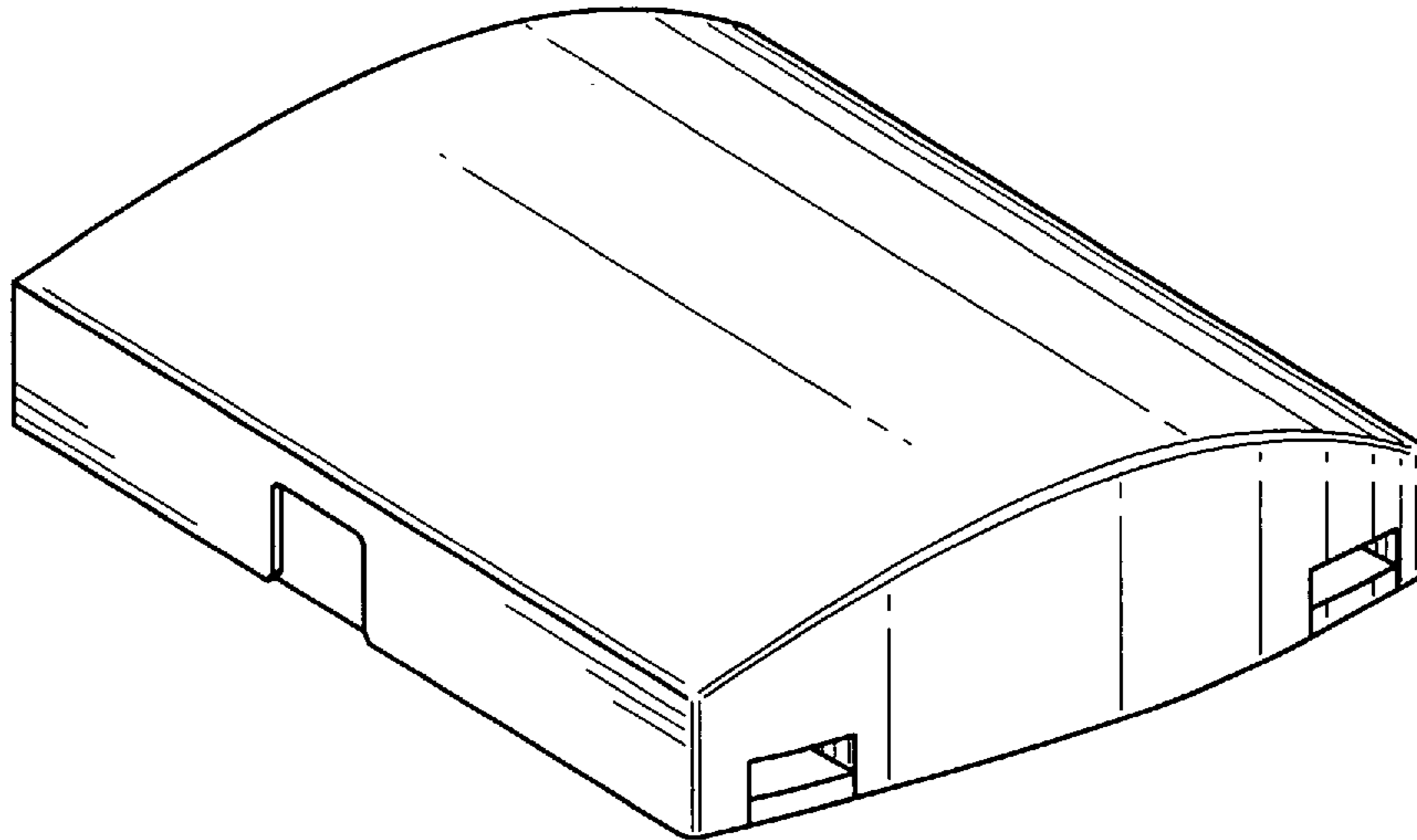
[57] **CLAIM**

The ornamental design for a battery module, as shown and described.

**DESCRIPTION**

FIG. 1 is a perspective view of a battery module constructed in accordance with the presently disclosed design; FIG. 2 is a left side elevational view thereof; FIG. 3 is a right side elevational view thereof; FIG. 4 is a top plan view thereof; FIG. 5 is a bottom plan view thereof; FIG. 6 is a front elevational view, the opposite side being a mirror image thereto; and, FIG. 7 is a bottom perspective view thereof.

**1 Claim, 2 Drawing Sheets**



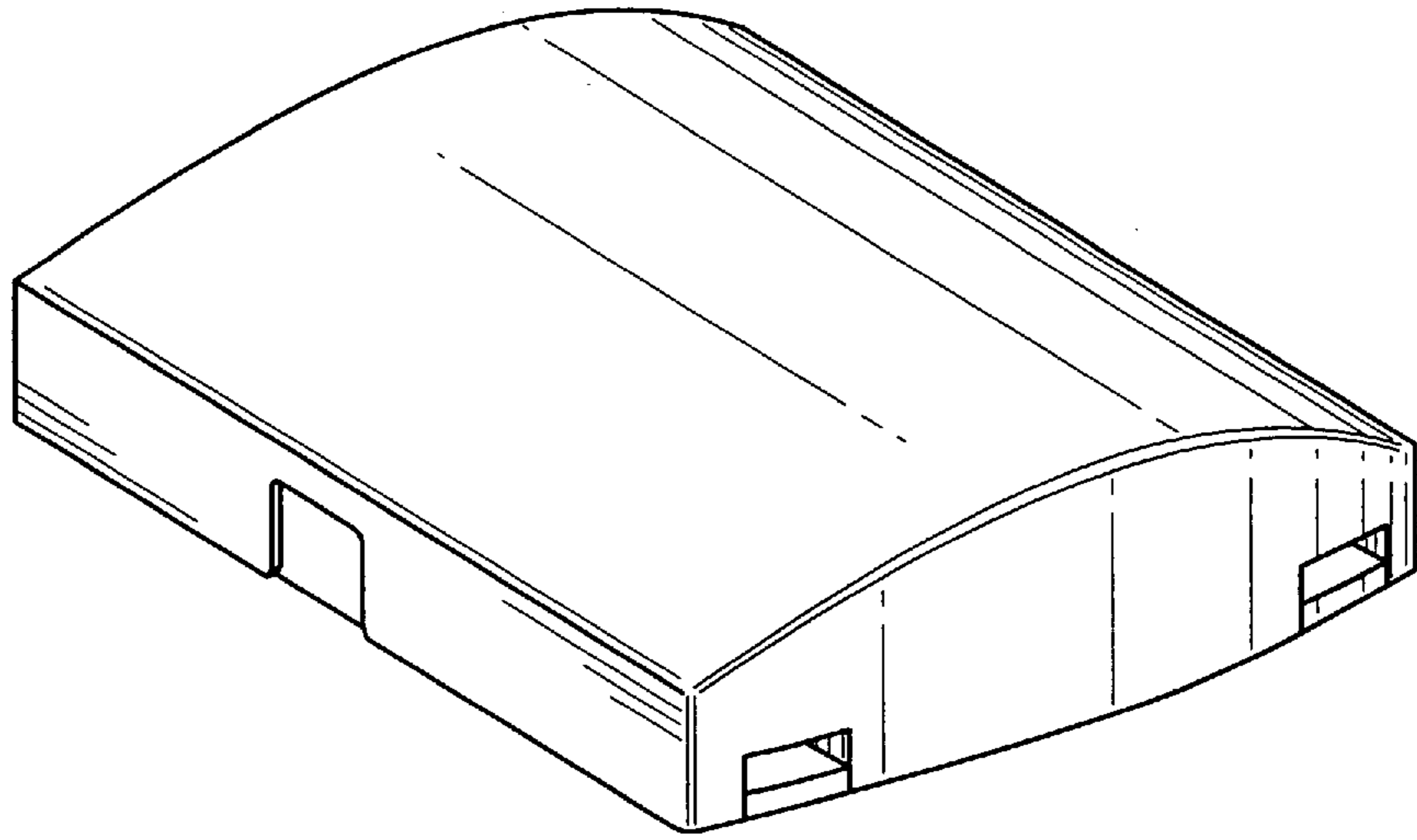


Fig. 1



Fig. 2

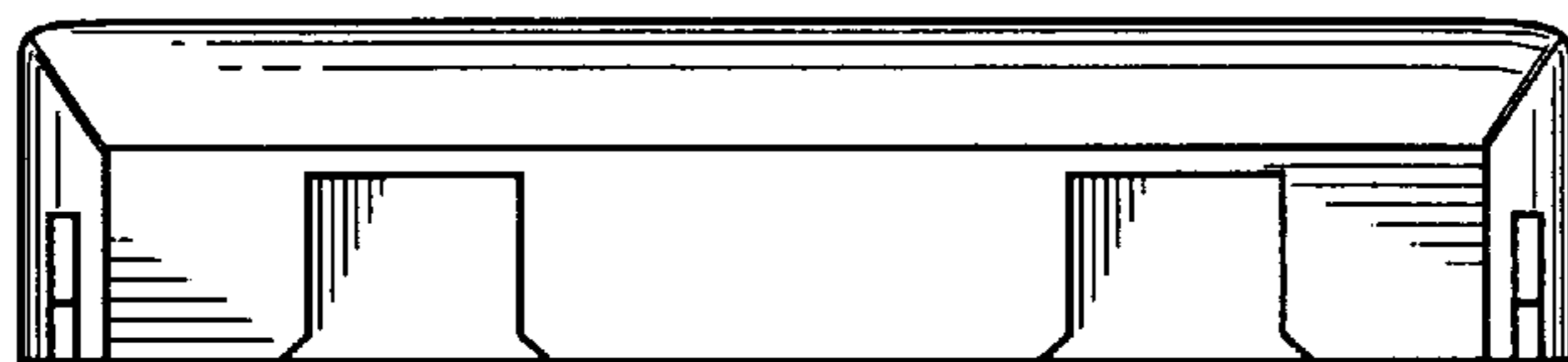


Fig. 3

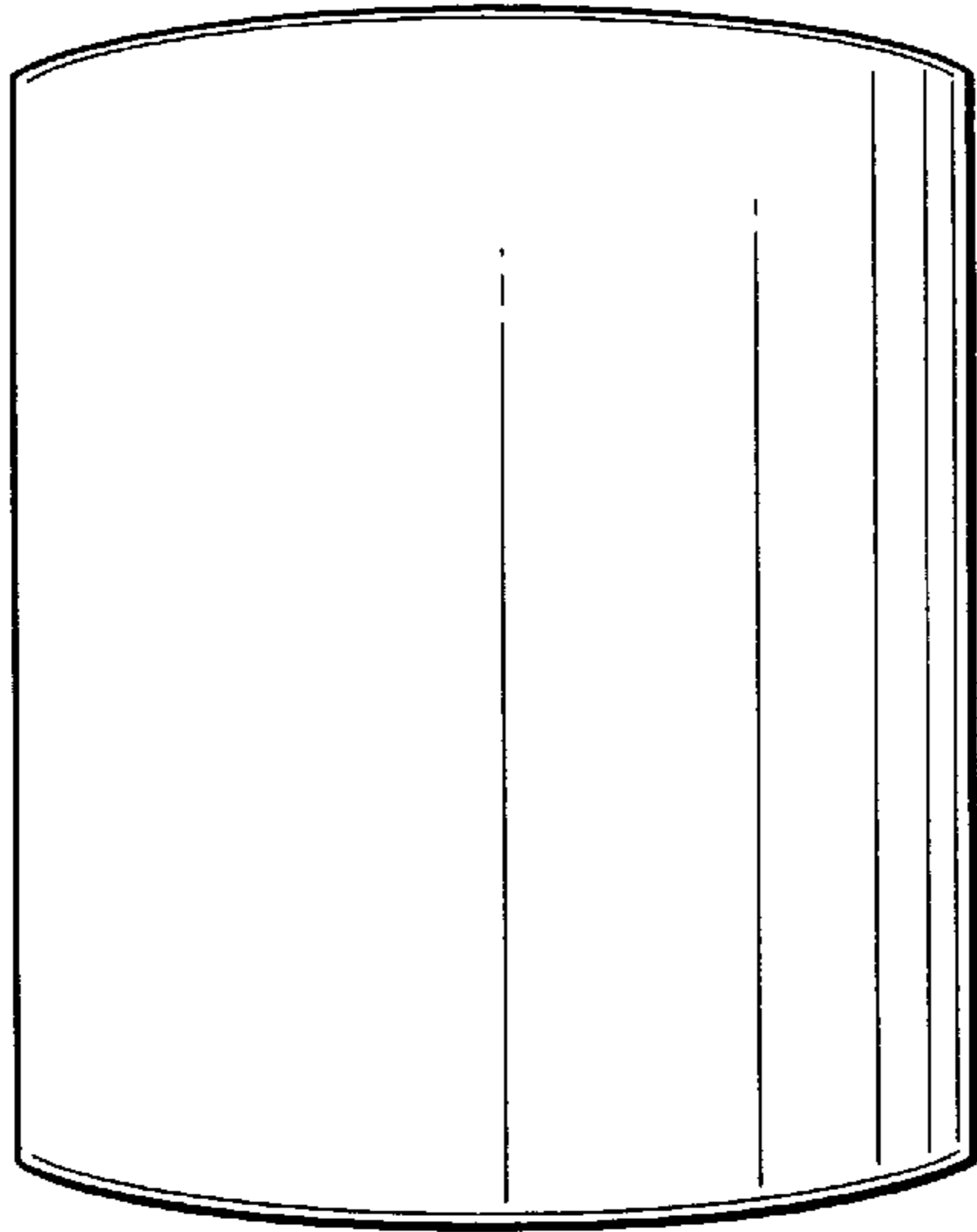


Fig. 4

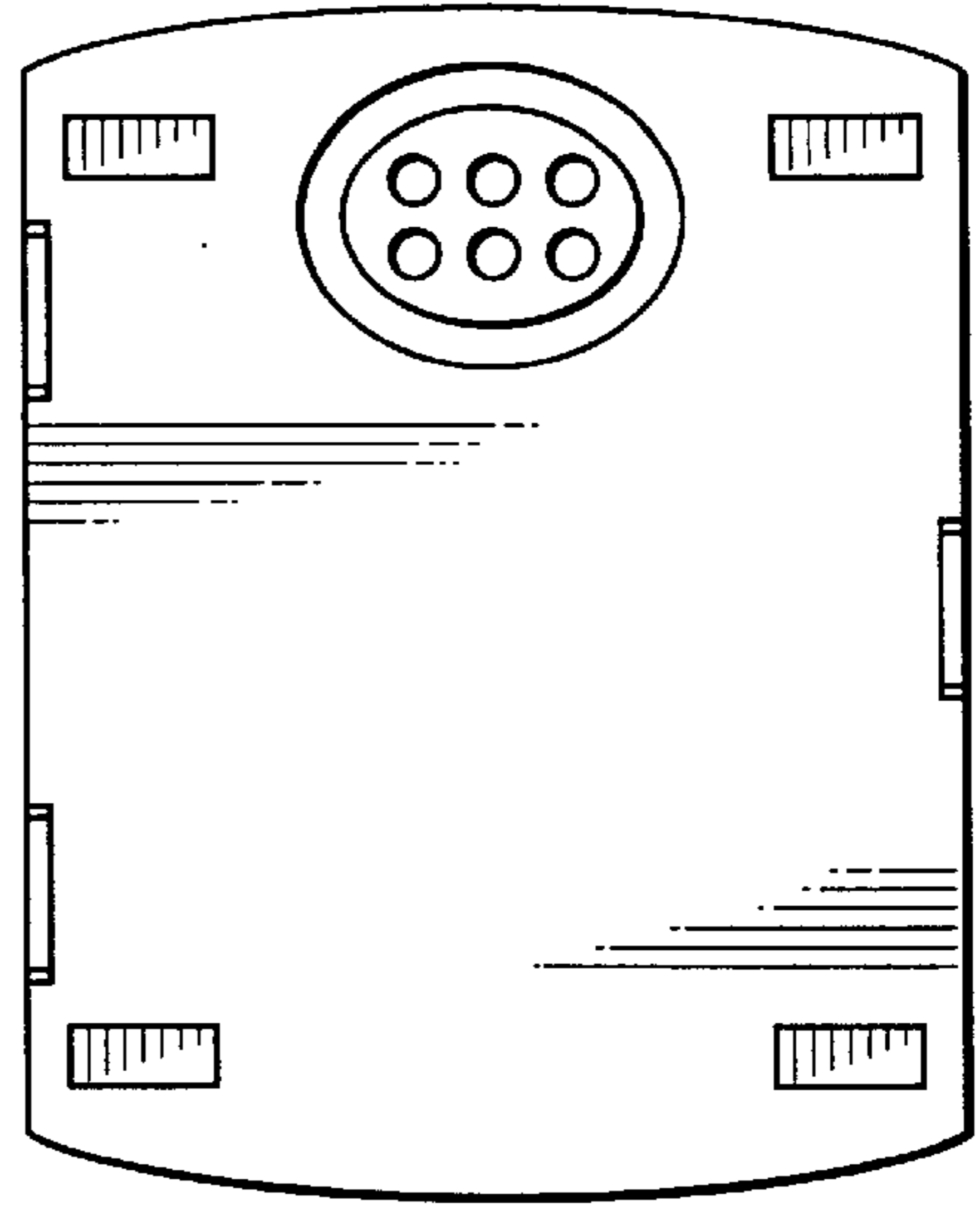


Fig. 5

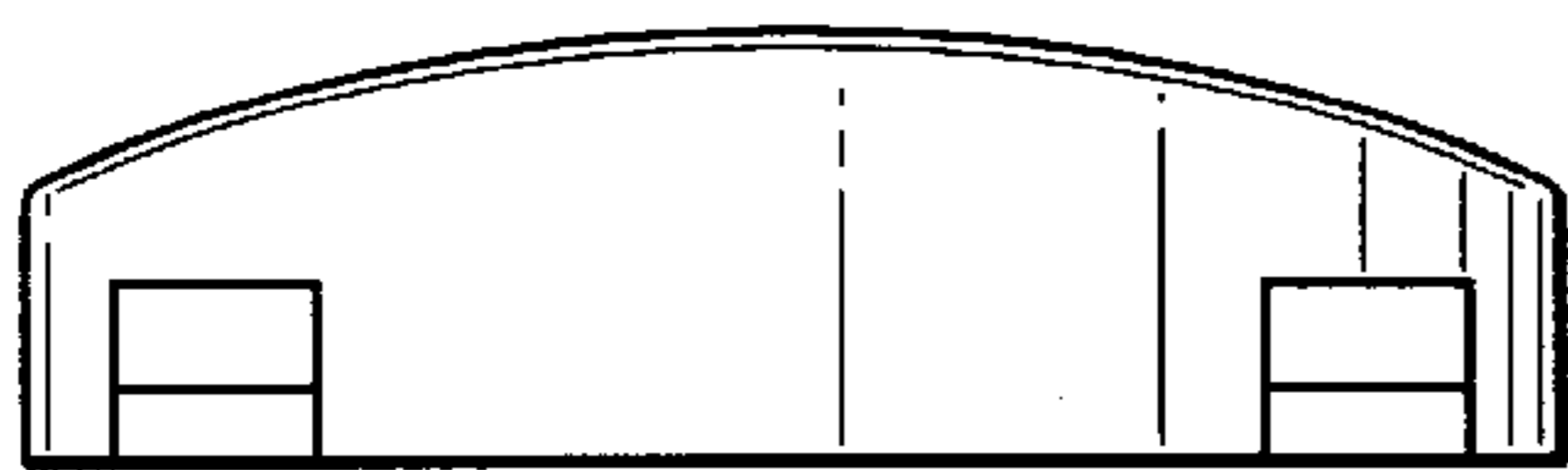


Fig. 6

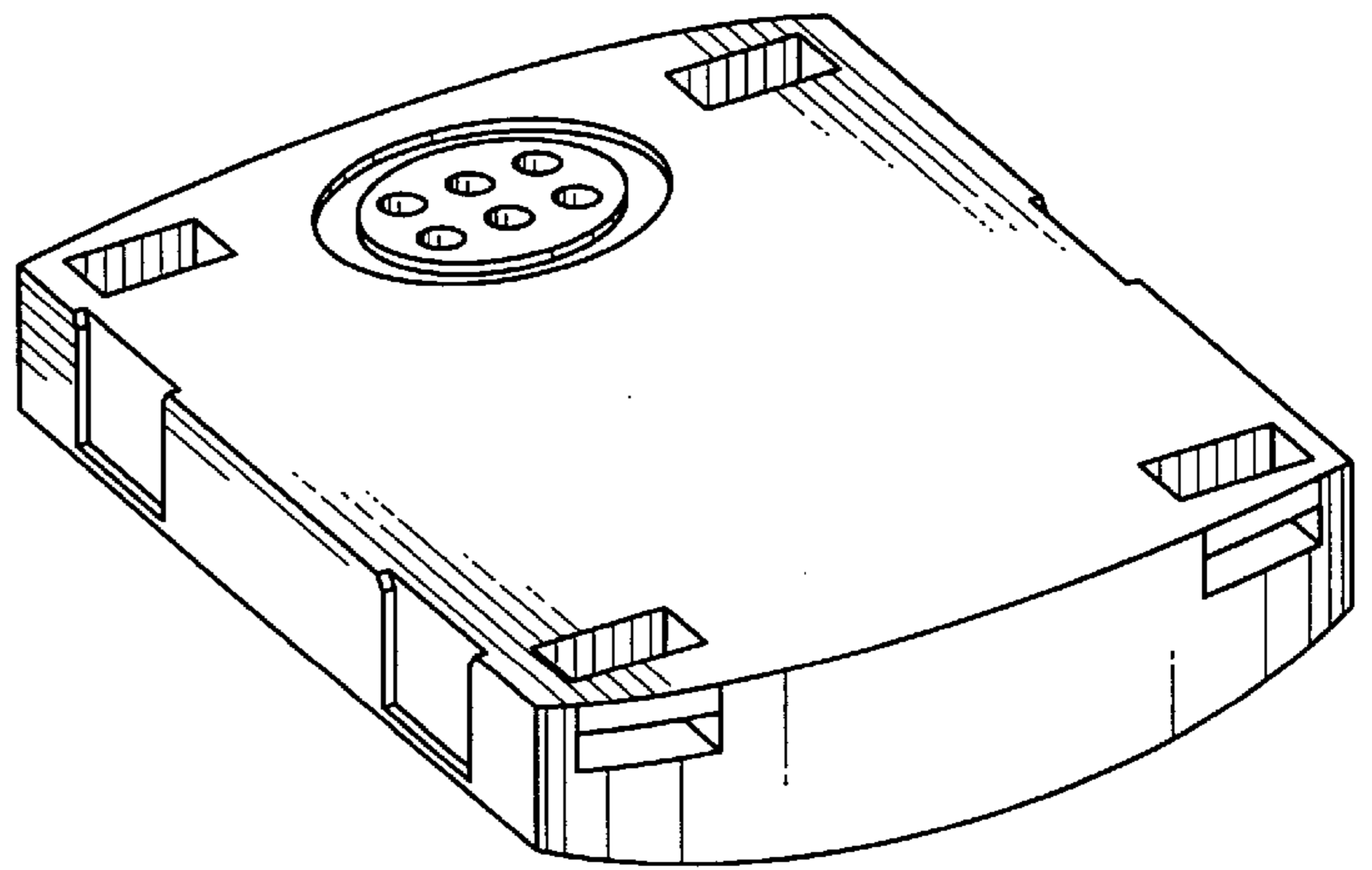


Fig. 7