



US00D398898S

United States Patent [19]

[11] Patent Number: **Des. 398,898**

Baumgartner et al.

[45] Date of Patent: ****Sep. 29, 1998**

[54] VEHICLE WHEEL

OTHER PUBLICATIONS

[75] Inventors: **Heinrich Baumgartner**, Schiltach;
Ewald Frick, Alpirsbach, both of
Germany

International Designs Bulletin, *HH07035521*, published
Nov. 30, 1994.

[73] Assignee: **BBS Kraftfahrzeugtechnik AG**,
Germany

1994 Custom Wheel & Tire Style Guide, pp. 14–15, see “RN
Design” and 10-Spoke RZ Design; p. 35, see p. 279.

[**] Term: **14 Years**

Primary Examiner—Jeffrey Asch
Assistant Examiner—Stacia Sinuik
Attorney, Agent, or Firm—Dick and Harris

[21] Appl. No.: **46,978**

[57] CLAIM

[22] Filed: **Nov. 22, 1995**

The ornamental design for vehicle wheel, as shown and
described.

[51] LOC (6) Cl. **12-16**

DESCRIPTION

[52] U.S. Cl. **D12/211**

[58] Field of Search D12/204–212;
301/64.1, 65, 63

FIG. 1 is a front perspective view of the vehicle wheel
having our new ornamental design;

FIG. 2 is a front elevation thereof;

FIG. 3 is a fragmentary front view of the central hub thereof;
and,

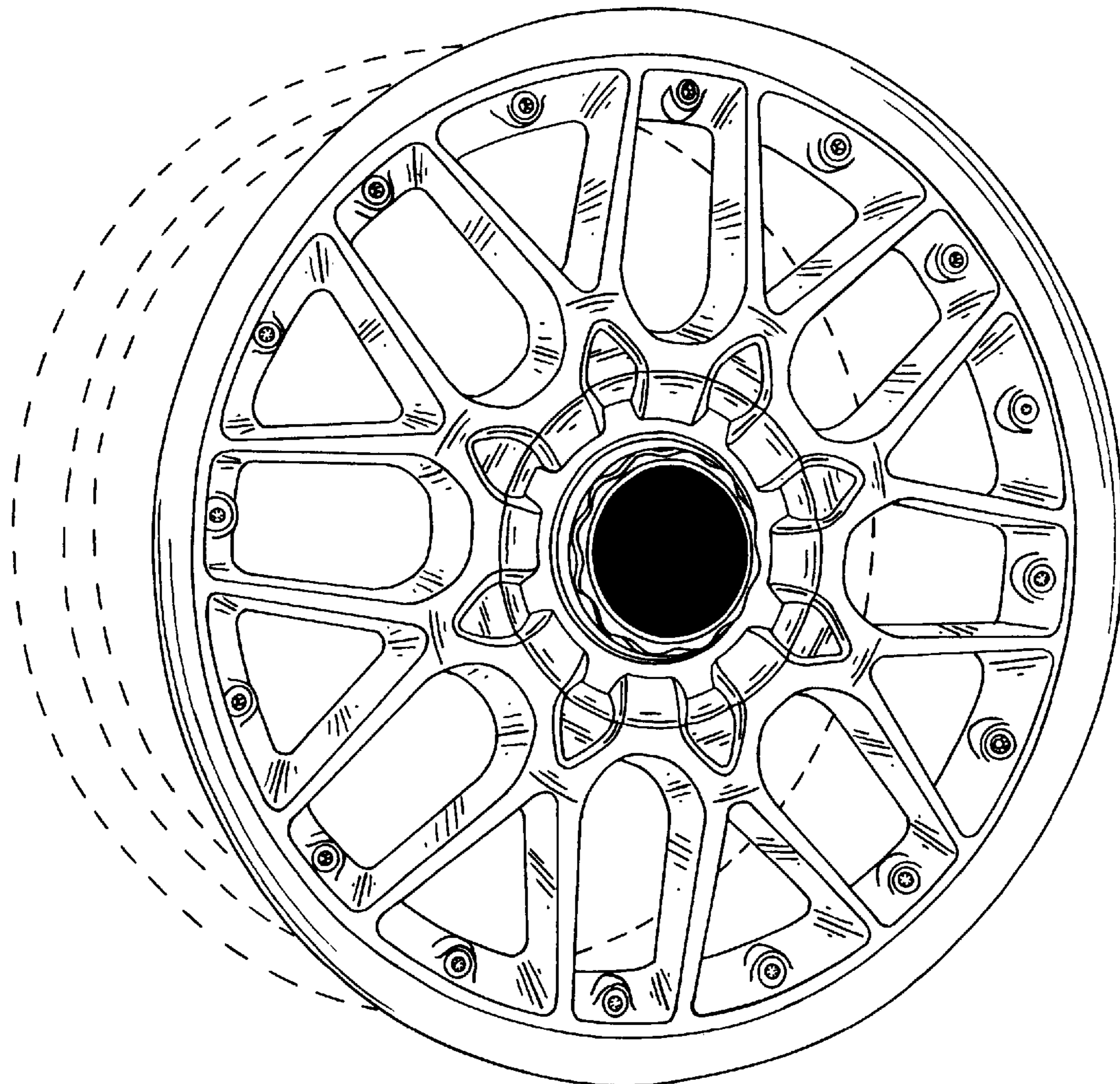
FIG. 4 is a side elevation view thereof.

[56] References Cited

U.S. PATENT DOCUMENTS

D. 348,243	6/1994	Echazabal et al.	D12/211
D. 350,932	9/1994	Echazabal et al.	D12/211
D. 353,571	12/1994	Braungart et al.	D12/211

1 Claim, 4 Drawing Sheets



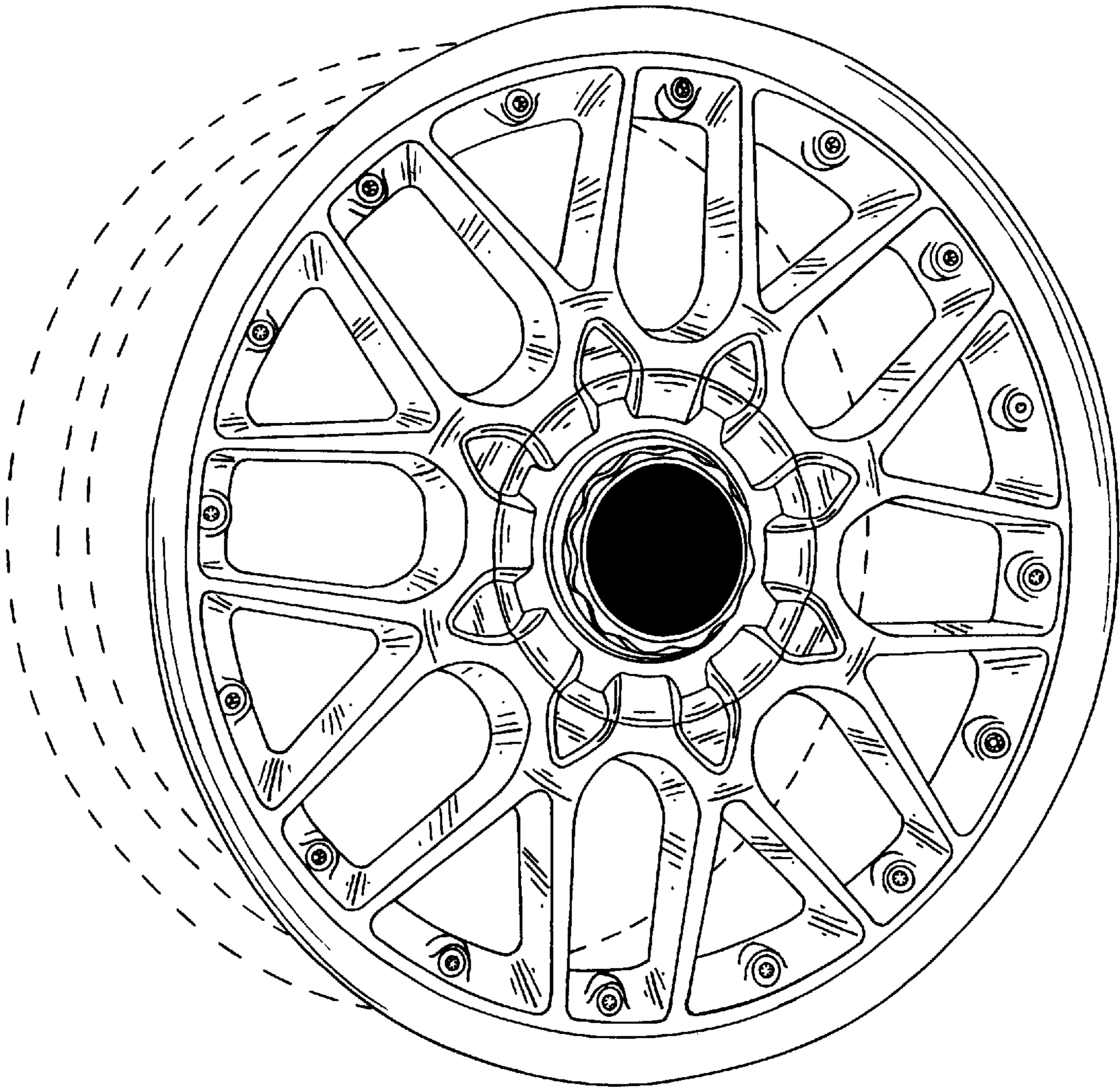


FIG. 1

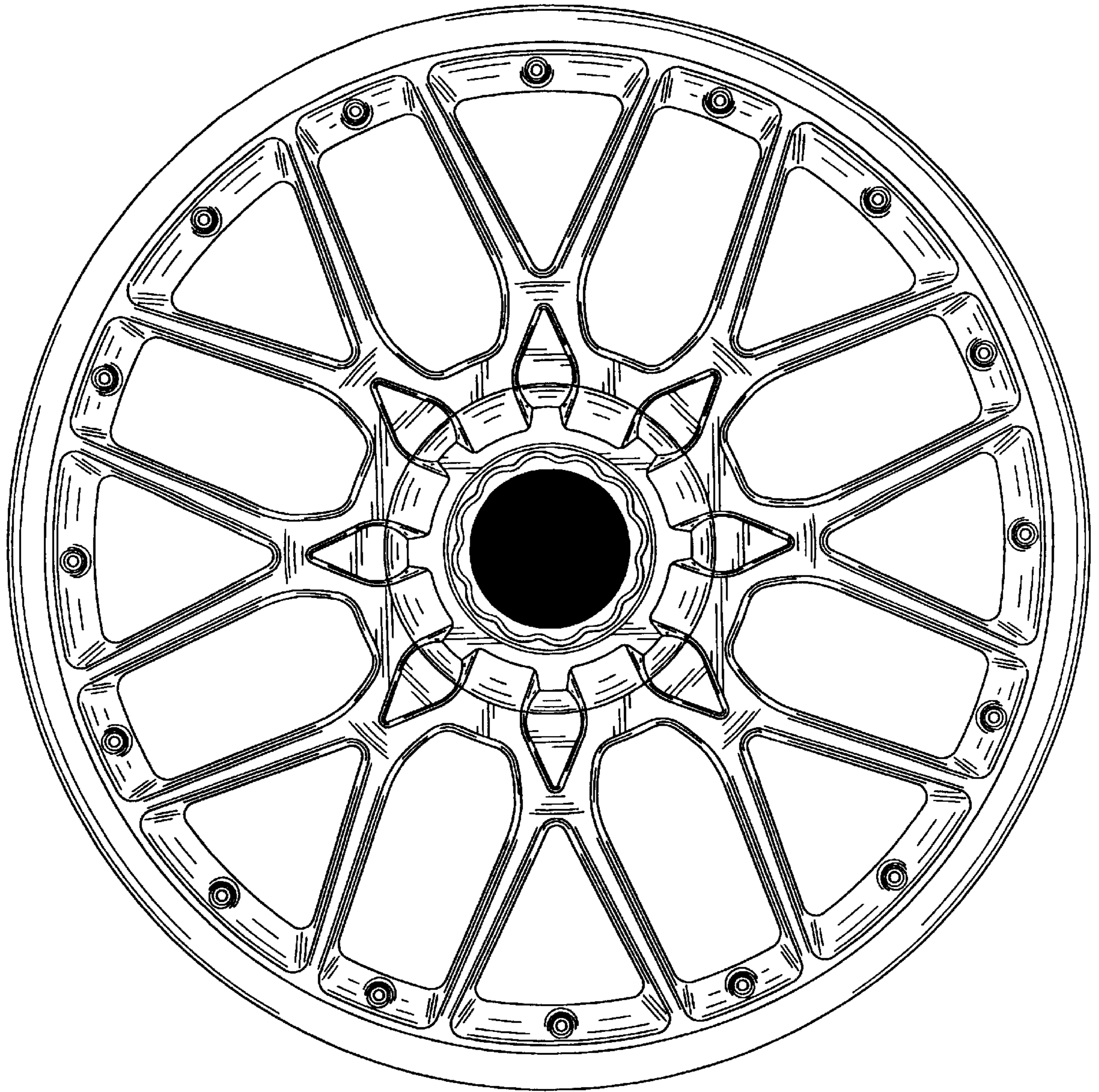


FIG. 2

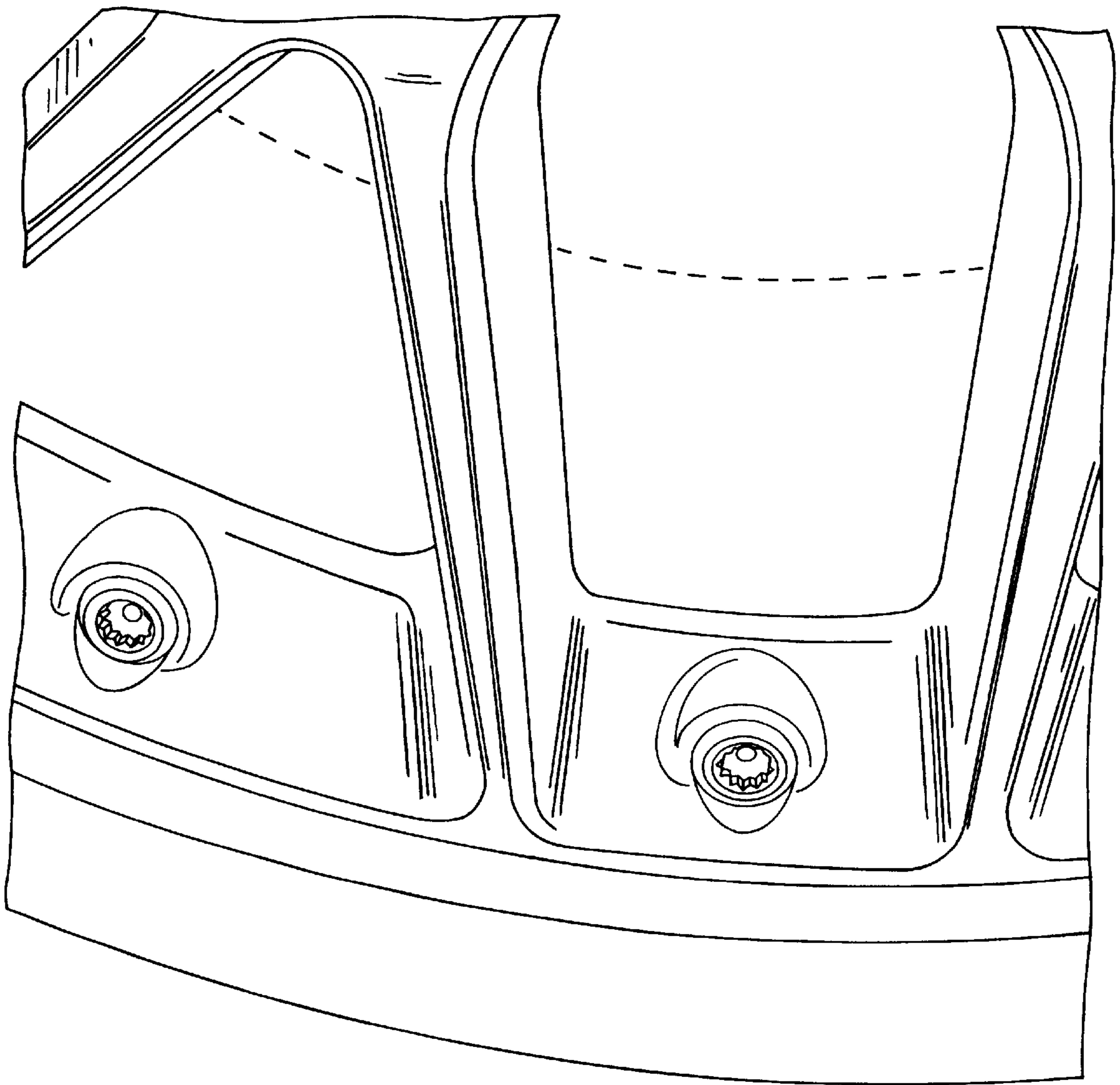


FIG. 3

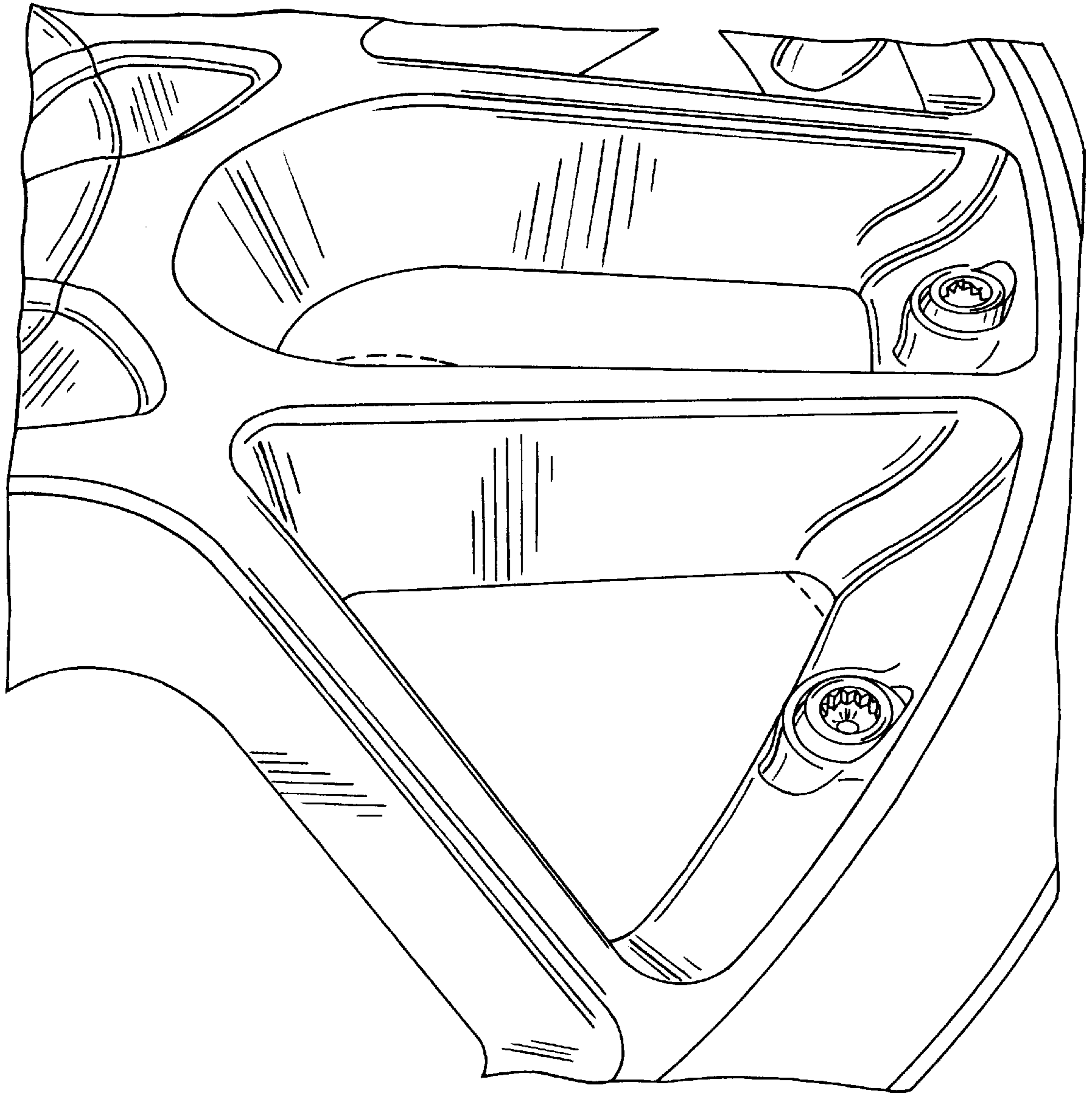


FIG. 4

UNITED STATES PATENT AND TRADEMARK OFFICE
CERTIFICATE OF CORRECTION

PATENT NO. : Des. 398,898
DATED : Sep. 29, 1998
INVENTOR(S) : Baumgartner et al.

Page 1 of 6

It is certified that error appears in the above-identified patent and that said Letters Patent is hereby corrected as shown below:

The title page should be deleted to appear as per attached title page.

Please delete drawing sheets 1-4 and substitute drawing sheets 1-4 as per attached.

Signed and Sealed this
Sixth Day of July, 1999



Q. TODD DICKINSON

Attest:

Attesting Officer

Acting Commissioner of Patents and Trademarks



US00D398898S

United States Patent [19]

[11] Patent Number: Des. 398,898

Baumgartner et al.

[45] Date of Patent: **Sep. 29, 1998

[54] VEHICLE WHEEL

OTHER PUBLICATIONS

[75] Inventors: Heinrich Baumgartner, Schiltach;
Ewald Frick, Alpirsbach, both of
Germany

International Designs Bulletin. HH07035521, published
Nov. 30, 1994.

1994 Custom Wheel & Tire Style Guide, pp. 14-15, see "RN
Design" and 10-Spoke RZ Design; p. 35, see p. 279.

[73] Assignee: BBS Kraftfahrzeugtechnik AG,
Germany

Primary Examiner—Jeffrey Asch
Assistant Examiner—Stacia Sinuik
Attorney, Agent, or Firm—Dick and Harris

[**] Term: 14 Years

[57] CLAIM

[21] Appl. No.: 46,978

The ornamental design for vehicle wheel, as shown and
described.

[22] Filed: Nov. 22, 1995

[51] LOC (6) Cl. 12-16

[52] U.S. Cl. D12/211

[58] Field of Search D12/204-212;
301/64.1, 65, 63

DESCRIPTION

[56] References Cited

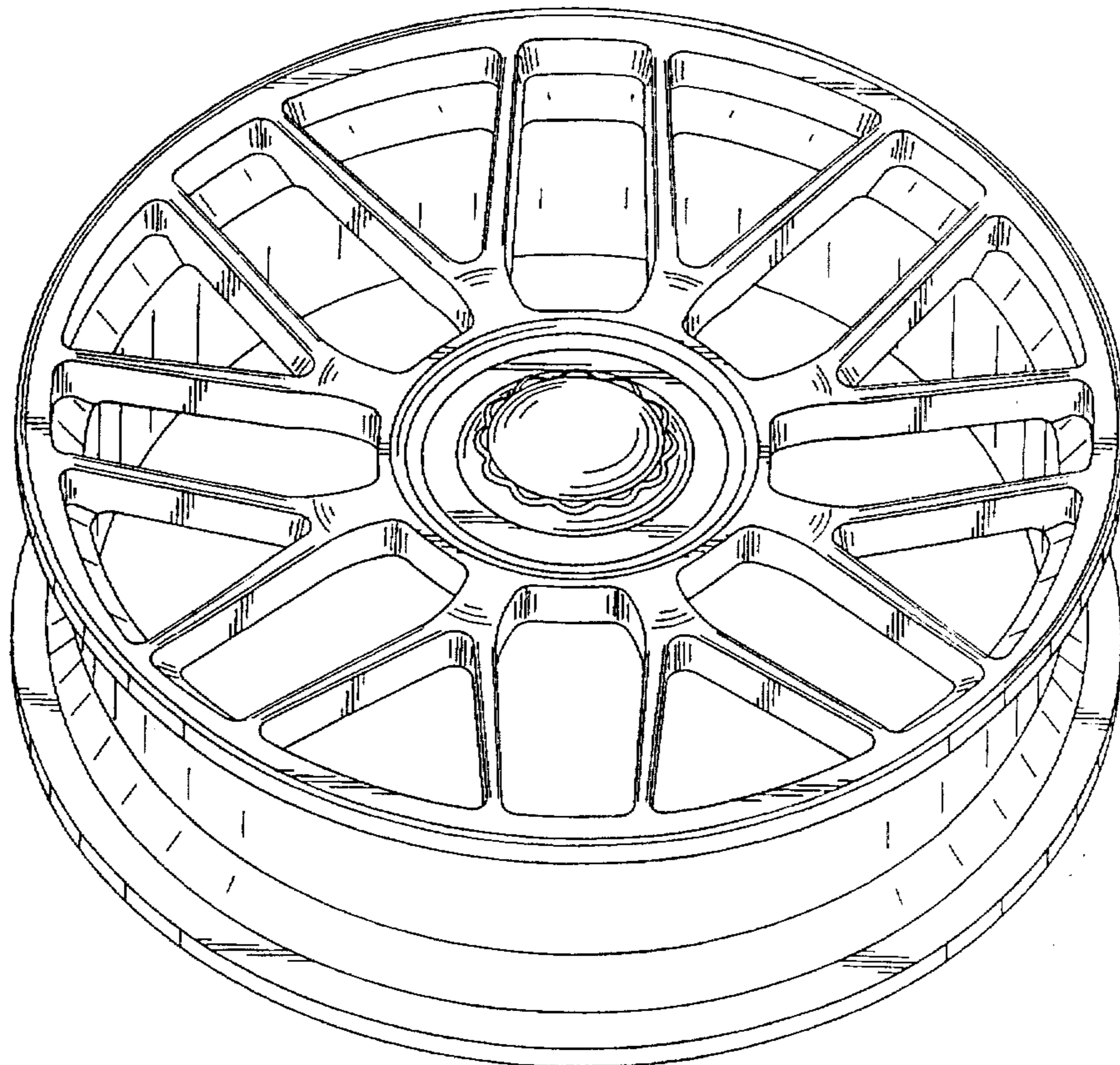
U.S. PATENT DOCUMENTS

D. 348,243	6/1994	Echazabal et al.	D12/211
D. 350,932	9/1994	Echazabal et al.	D12/211
D. 353,571	12/1994	Braungart et al.	D12/211

FIG. 1 is a front perspective view of the vehicle wheel
having our new ornamental design;
FIG. 2 is a front elevation thereof;
FIG. 3 is a fragmentary front view of the central hub thereof;
and,

FIG. 4 is a side elevation view thereof.

1 Claim, 4 Drawing Sheets



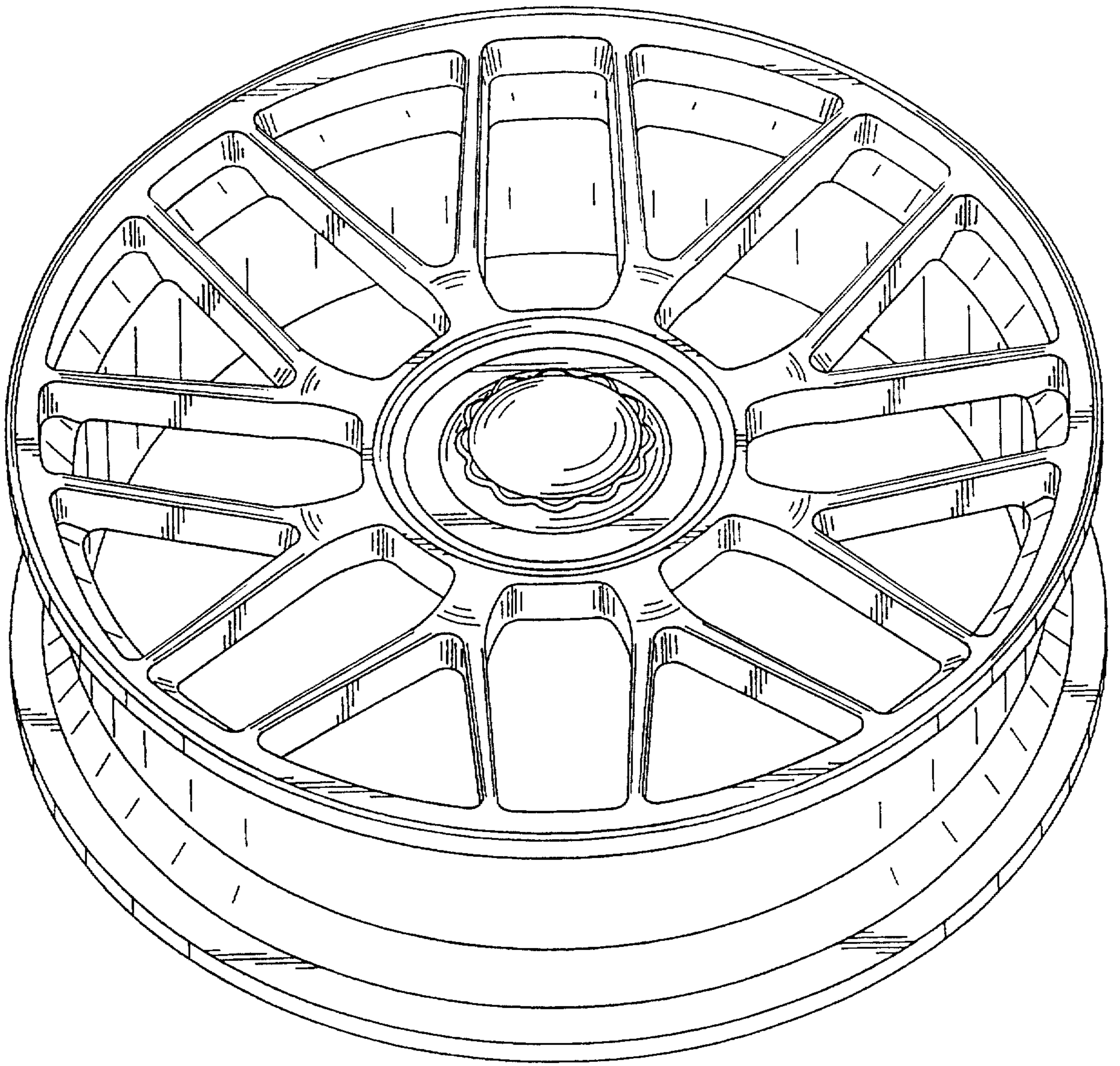


FIG. 1

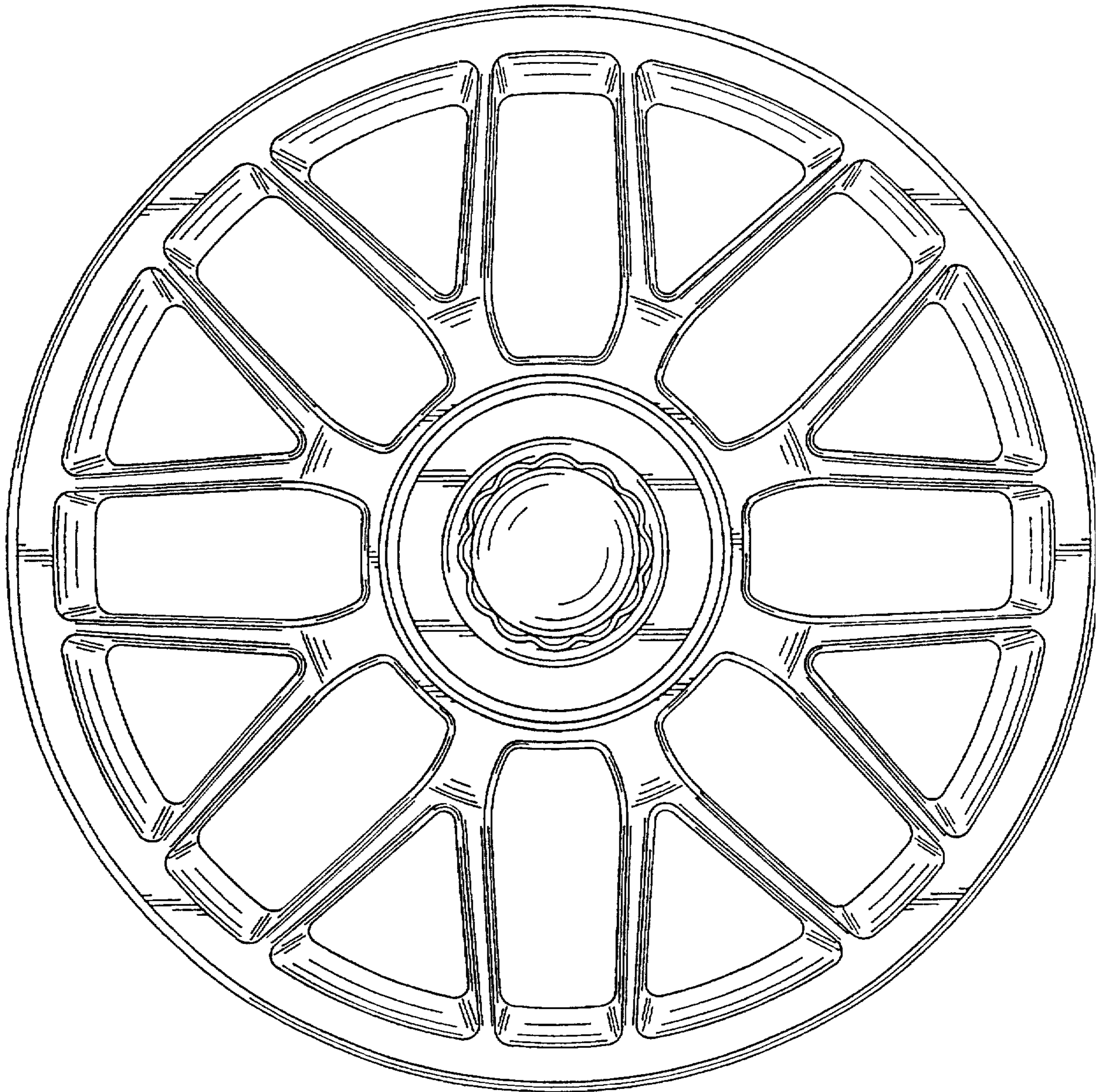


FIG. 2

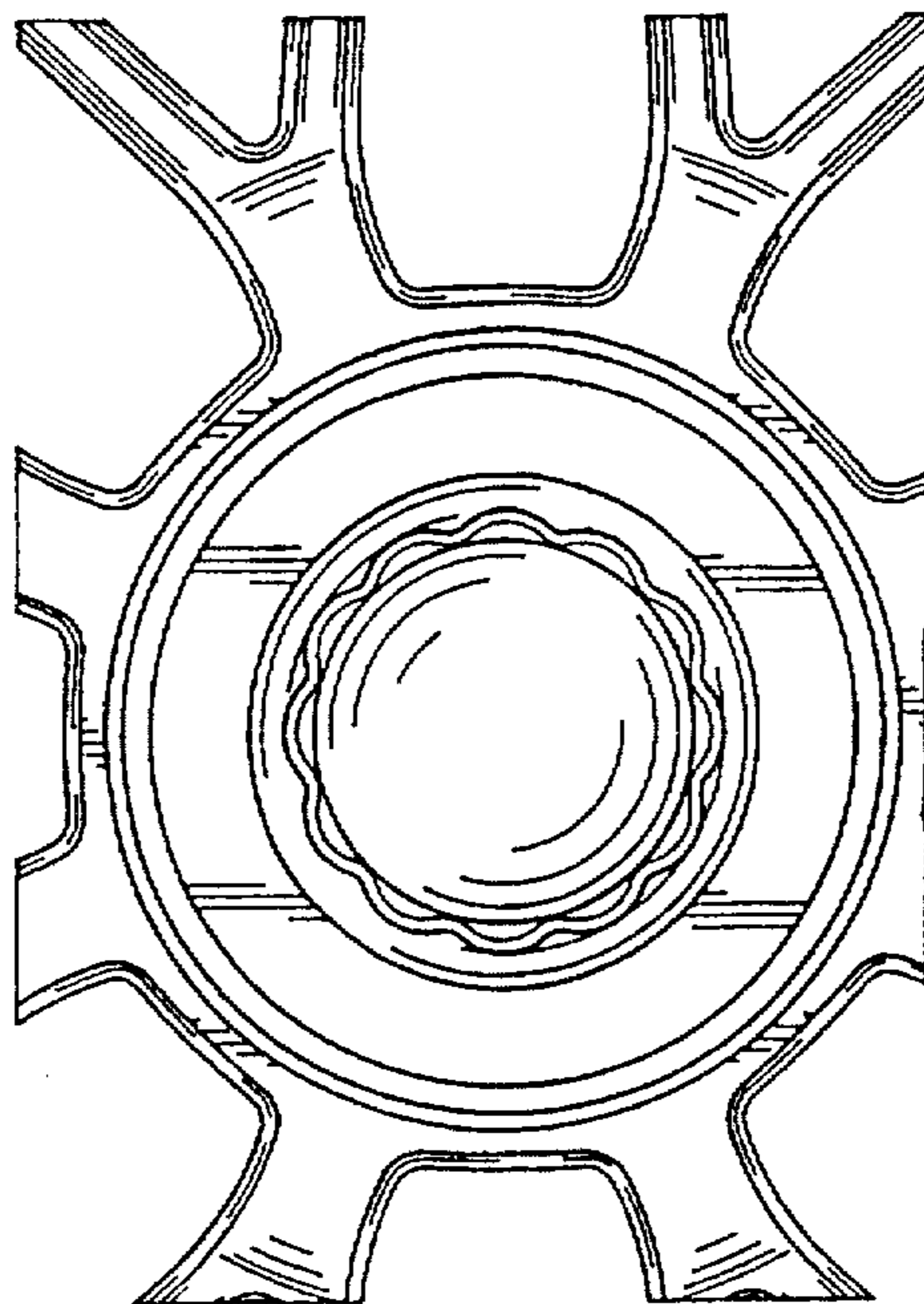


FIG. 3

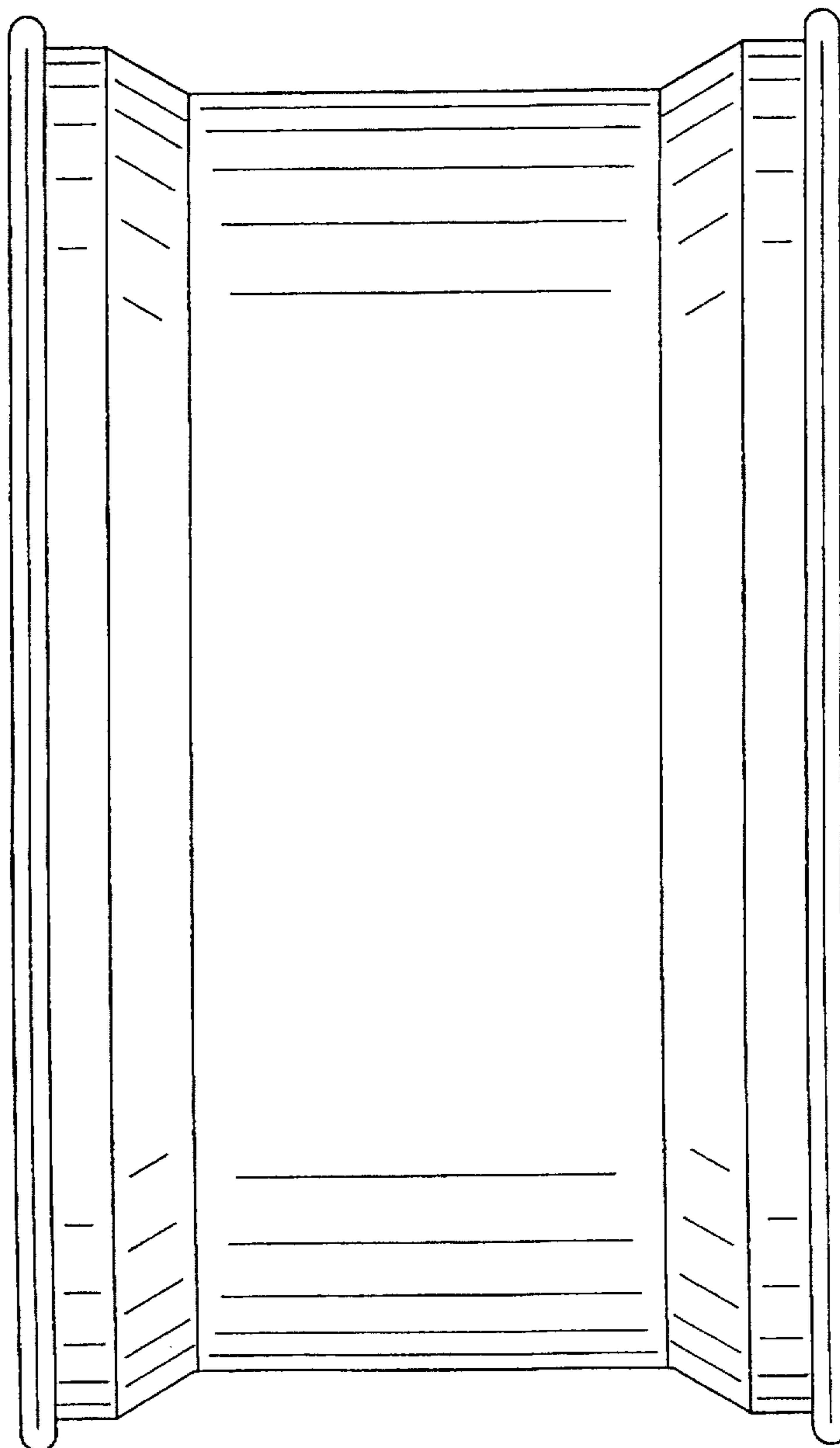


FIG. 4