



US00D398897S

United States Patent [19]
Muzzarelli

[11] **Patent Number: Des. 398,897**

[45] **Date of Patent: **Sep. 29, 1998**

[54] **FRONT FACE OF A VEHICLE WHEEL**

D. 374,420 10/1996 Neeper D12/209

[75] Inventor: **Marco Muzzarelli**, Milan, Italy

OTHER PUBLICATIONS

[73] Assignee: **Claus Ettensberger Corp.**, Gardena, Calif.

Custom Wheel & Tire Style Guide, p. 18, See "AM805"; p. 21, See 61-601-Crown; and p. 24, See Prime 130 Chrome, 1994.

[**] Term: **14 Years**

Primary Examiner—James Gandy
Assistant Examiner—Stacia Sinuik
Attorney, Agent, or Firm—Longacre & White

[21] Appl. No.: **72,039**

[22] Filed: **Jun. 13, 1997**

[57] **CLAIM**

[51] **LOC (6) Cl.** **12-16**

The ornamental design for the front face of a vehicle wheel, as shown and described.

[52] **U.S. Cl.** **D12/209**

[58] **Field of Search** D12/204-213;
301/64.1, 65, 37.1

DESCRIPTION

[56] **References Cited**

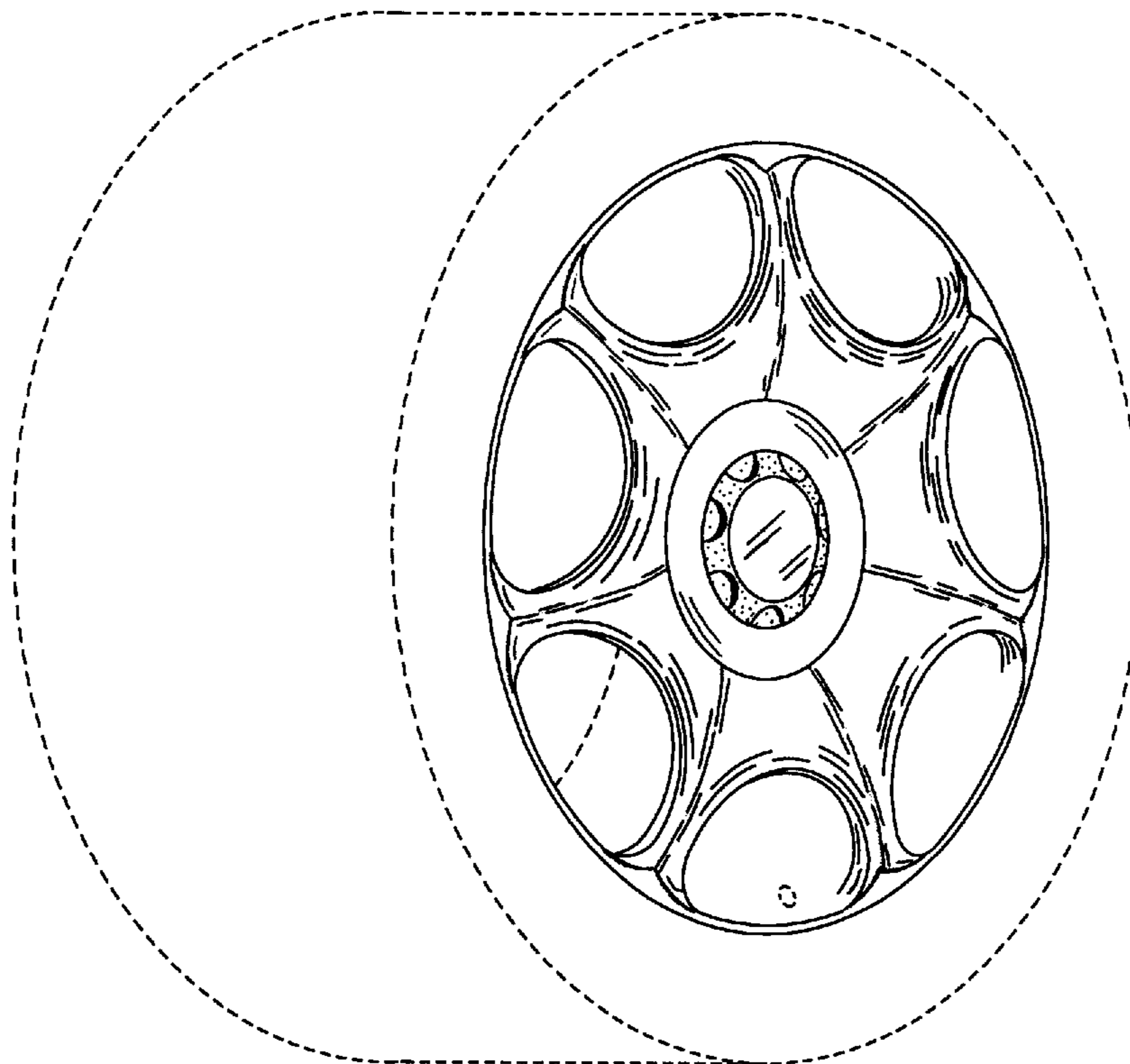
FIG. 1 is a perspective view of the front face of a vehicle wheel shown in use on a surrounding wheel; and, FIG. 2 is a front elevational view of the front face of a vehicle wheel shown in FIG. 1.

U.S. PATENT DOCUMENTS

The broken line showing of environment is for illustrative purposes only and forms no part of the claimed design.

- D. 88,510 12/1932 Eksbergian et al. D12/209
- D. 212,941 12/1968 Van Winsen D12/209
- D. 255,233 6/1980 Watanabe D12/209
- D. 260,984 9/1981 Jonsson D12/209
- D. 352,688 11/1994 Boselli D12/211

1 Claim, 1 Drawing Sheet



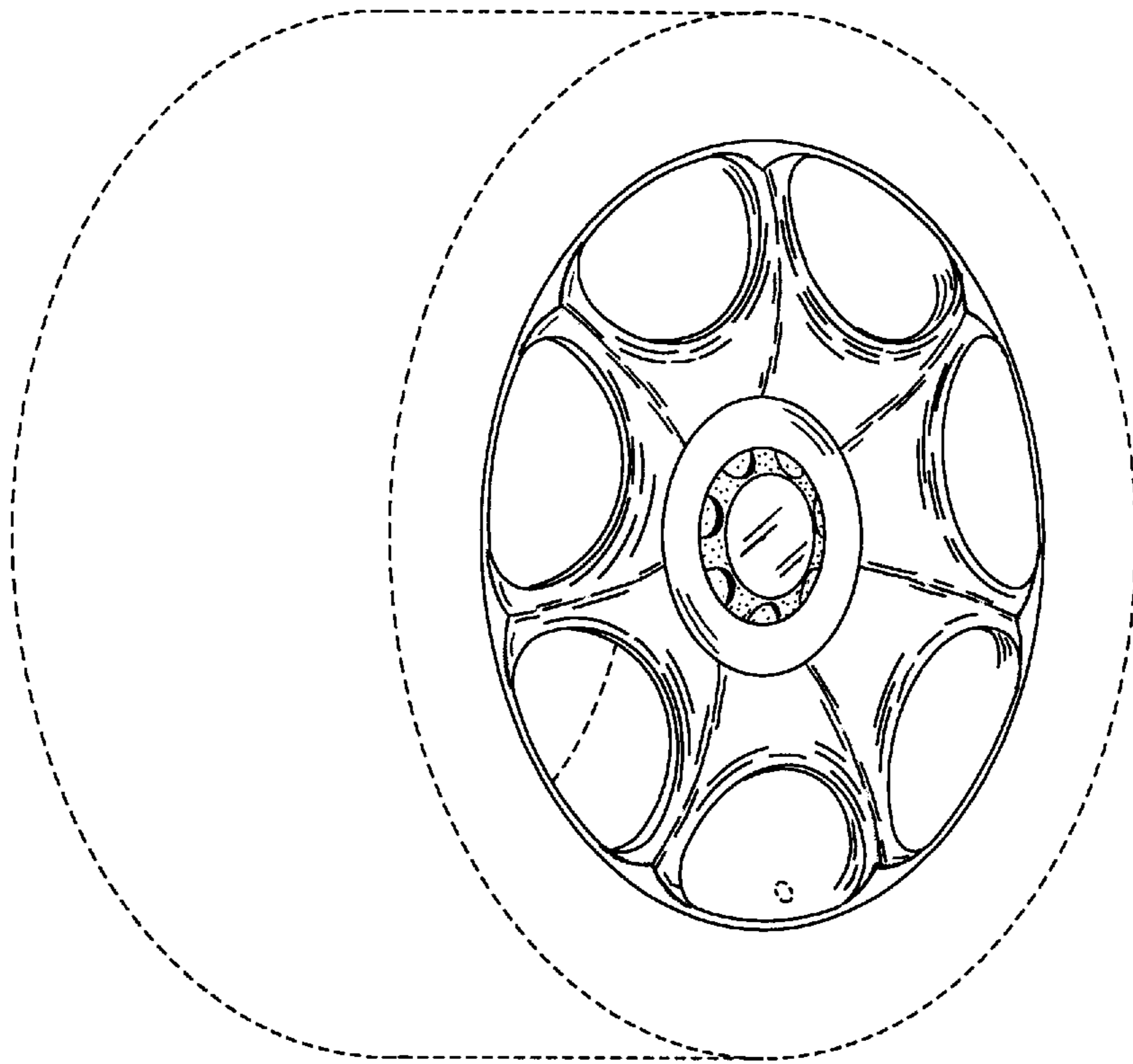


FIG. 1

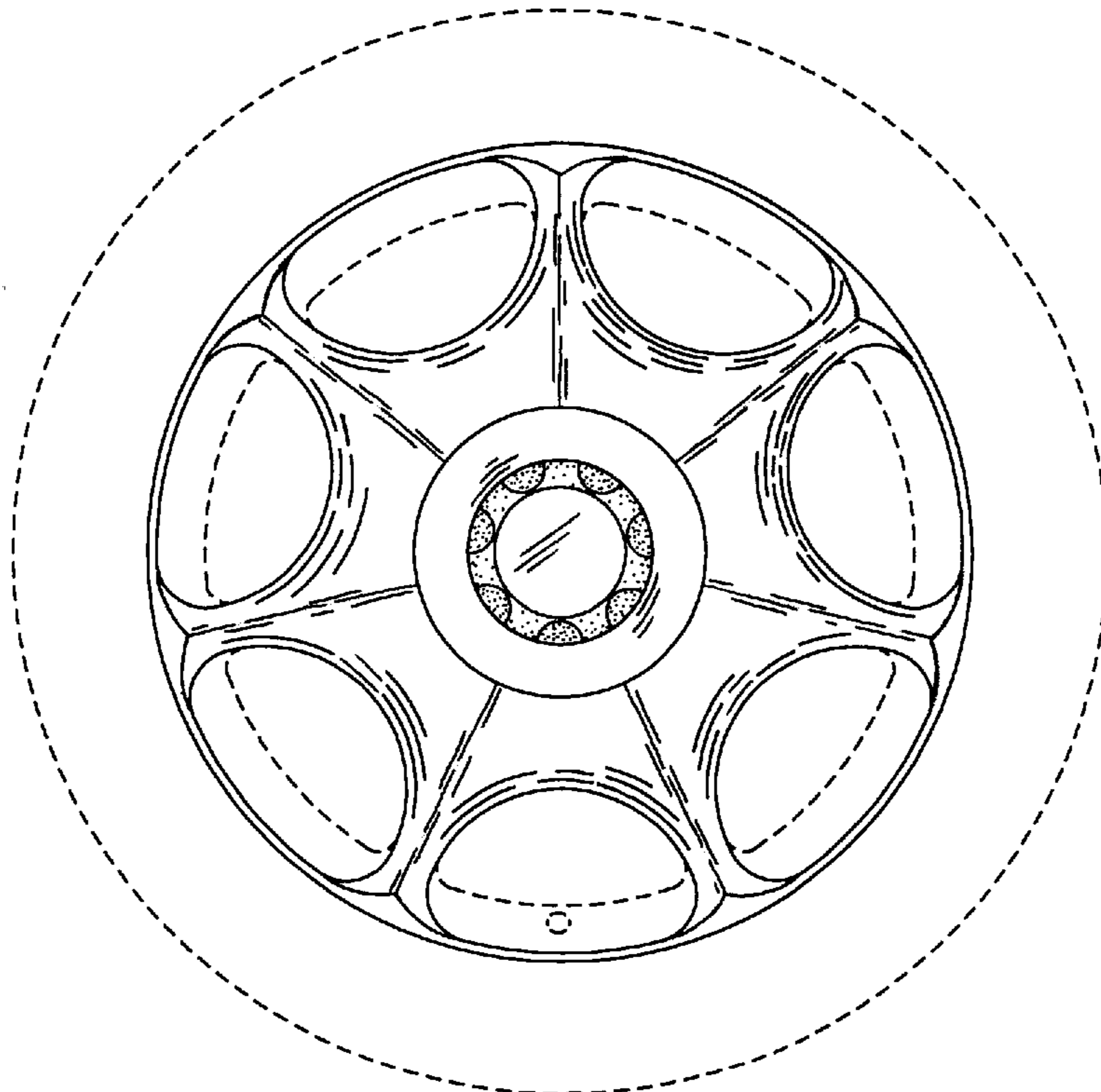


FIG. 2